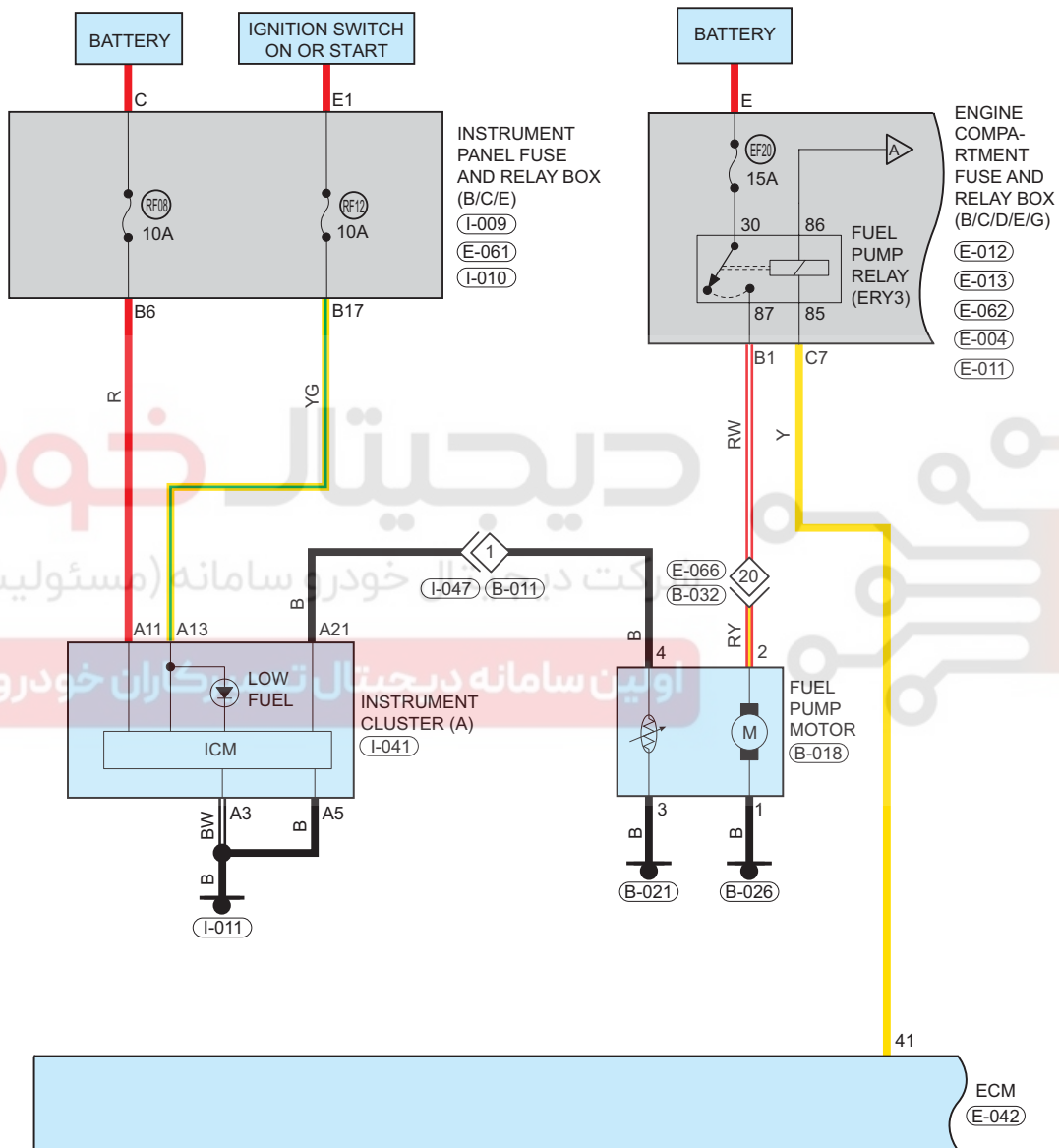


# Fuel Supply System

Circuit Diagram (Page 1 of 2)



09

## Parts Location

Connector Code	See Page	Connector Code	See Page	Connector Code	See Page
E-012	08-3	E-013	08-3	E-062	08-3
E-004	08-3	E-011	08-3	I-009	08-9
E-061	08-3	I-010	08-9	I-041	08-9
B-018	08-13	E-042	08-3	I-011	08-9
B-021	08-13	B-026	08-13		

## Fuse and Relay

Fuse/Relay	See Page	Fuse and Relay Box
EF20	06-4	Engine Compartment Fuse and Relay Box
Fuel Pump Relay (ERY3)	06-4	Engine Compartment Fuse and Relay Box
RF08	06-15	Instrument Panel Fuse and Relay Box
RF12	06-15	Instrument Panel Fuse and Relay Box

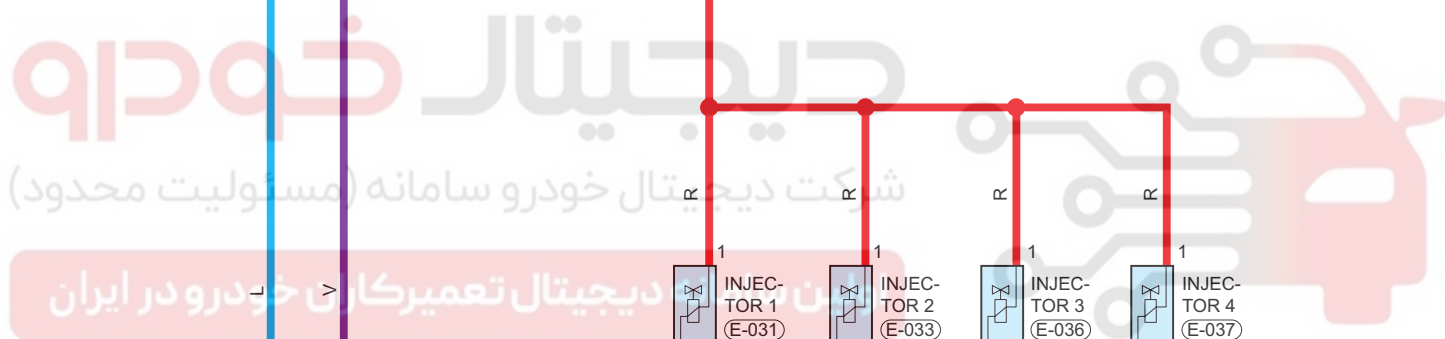
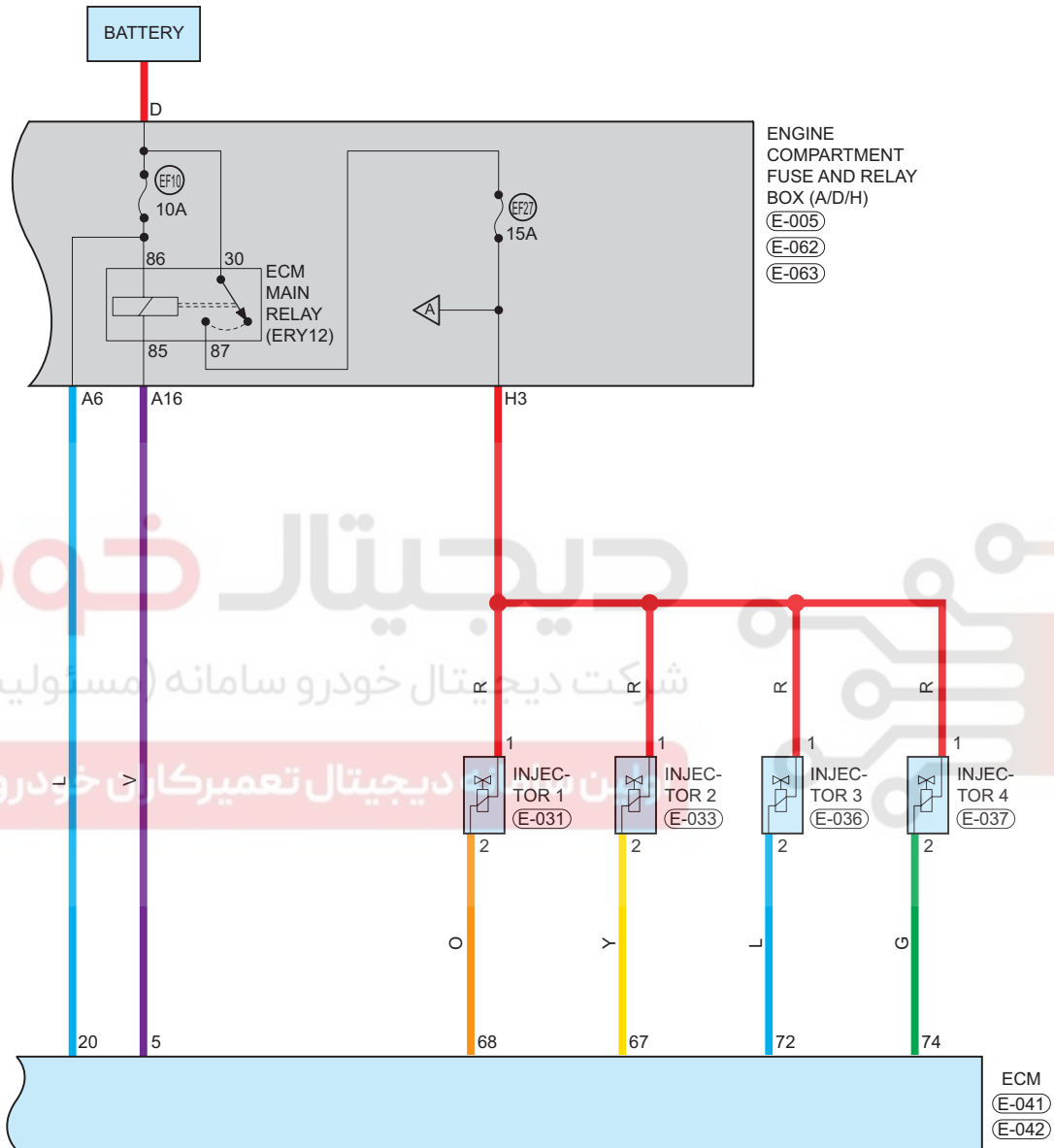
## Location of Junction Connector

Connector Code	See Page	Connector Code	See Page	Connector Code	See Page
E-066, B-032	08-3, 08-13	I-047, B-011	08-9, 08-13		

## Form of Connector

Connector Code	See Page	Connector Code	See Page	Connector Code	See Page
E-012	12-2	E-013	12-2	E-062	12-2
E-004	12-2	E-011	12-2	I-009	12-7
E-061	12-2	I-010	12-7	I-041	12-7
B-018	12-10	E-042	12-2	I-011	12-7
B-021	12-10	B-026	12-10	E-066, B-032	12-2, 12-10
I-047, B-011	12-7, 12-10				

Circuit Diagram (Page 2 of 2)



09

ET11090202