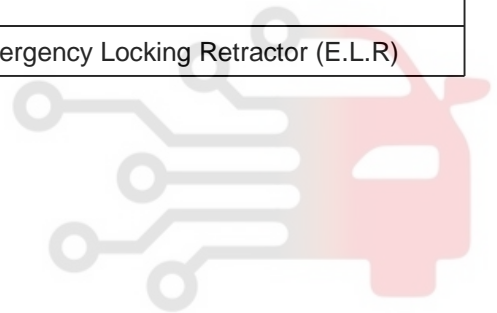


**BD-2****Body (Interior and Exterior)****General Information****SPECIFICATIONS**

|   |   |
|---|---|
| Hood<br>Type  | Rear hinged, front opening type (gas lifter type)   |
| Front door<br>Construction<br>Regulator system<br>Locking system  | Front hinged, full door construction<br>X-arm type<br>Pin-fork system   |
| Rear door<br>Construction<br>Locking system   | Slide type<br>Pin-fork system   |
| Tailgate<br>Type  | Inner hinged, gas lifter type   |
| Glass thickness.<br>Windshield glass<br>Front door glass<br>Slide door glass<br>Quarter window glass<br>Tail gate glass | Laminated clear, tinted<br>5.0mm (0.20 in.)<br>3.5mm (0.14 in.)<br>3.5mm (0.14 in.)<br>3.5mm (0.14 in.)<br>3.5mm (0.14 in.) |
| Seat belts  | 3 point type with Emergency Locking Retractor (E.L.R)   |

شرکت دیجیتال خودرو (مسئولیت محدود)

اولین سامانه دیجیتال تعمیرکاران خودرو در ایران



# General Information

# BD-3

## TROUBLESHOOTING

### Hood

| Problem                                | Possible cause                         | Action |
|--|--|--------|
| Hood does not open or close completely | Striker and latch not properly aligned | Adjust |
|  | Incorrectly installed hood             | Adjust |
|  | Incorrect hood bumper height           | Adjust |

### Tailgate

| Problem                       | Possible cause                                    | Action          |
|-------------------------------|---|-----------------|
| Water leak from tailgate edge | Cracked or defective opening weatherstrip         | Replace         |
| Tailgate lift                 | Incorrect latch or striker adjustment             | Adjust          |
| Heavy tailgate opening lock   | Incorrect latch or striker adjustment             | Adjust          |
|                               | Incorrect tailgate latch link assembly adjustment | Adjust          |
| Uneven gap between body       | Incorrect tailgate installation                   | Adjust position |

### Door

| Problem                                | Possible cause                                  | Action                 |
|--|---|------------------------|
| Door window malfunction                | Incorrect window glass installation             | Adjust position        |
|  | Incorrect door sash contact                     | Adjust contact         |
|  | Damaged or defective sash                       | Correct or replace     |
|  | Damaged or defective regulator arm or regulator | Correct or replace     |
| Stiff window regulator handle          | Incorrect window glass installation             | Adjust position        |
|  | Damaged or defective sash                       | Correct or replace     |
|  | Damaged or defective regulator arm or regulator | Correct or replace     |
| Water leak through door edge           | Cracked or defective opening weatherstrip       | Replace                |
| Water leak from door center            | Drain hole clogged                              | Remove foreign objects |
|  | Inadequate waterproof film contact or damage    | Correct or replace     |
| Door hard to open                      | Incorrect latch or striker adjustment           | Adjust                 |
| Door does not open or close completely | Incorrect latch or striker adjustment           | Adjust position        |
|  | Defective door check                            | Correct or replace     |
|  | Door check hinge requires grease                | Apply grease           |
| Uneven gap between body                | Incorrect door installation                     | Adjust position        |

## BD-4

## Body (Interior and Exterior)

## Sunroof

| Problem   | Possible cause  | Action  |
|---|---|---|
| Water leaks from sunroof  | Dirt accumulated in drain tube  | Clear dirt inside of drain                              |
|   | Clogged drain tube  | Blow air into drain to remove dirt                      |
|   | Broken or dislocated drain tube, defective or cracked clip  | Check tube installation and flange contact              |
|   | Deteriorated roof lid weatherstrip  | Replace   |
|   | Excessive roof lid-to-body clearance and improperly fitted weatherstrip   | Adjust  |
| Wind noise around sunroof   | Loose or deformed deflector, gaps in body work  | Retighten adjust or replace                             |
| Sunroof makes a noise when moved  | Foreign particles lodged in guide rail  | Check drive cable and guide rails for foreign particles |
|   | Loose guide rails and lid   | Retighten   |
| Motor runs but sunroof does not move or moves only halfway  | Foreign particles lodged in guide rail  | Check drive cable and guide rails for foreign particles |
|   | Incorrect engagement of motor pinion with drive cable   | Check for loose motor installation and damaged pinion   |
|   | Decrease in motor's clutch slipping force   | Adjust  |
|   | Increased sunroof sliding resistance or interference of sunroof with drive cables, weatherstrip, etc. due to maladjustment of sunroof | Adjust or replace                                       |
| Noise in motor (clutch slipping noise from motor when sunroof is fully opened or closed is not an unusual noise.) | Incorrect engagement of motor pinion with drive cable   | Check pinion installation and retighten motor           |
|   | Worn out or damaged motor pinion bearing  | Replace motor assembly                                  |
|   | Worn out or deformed drive cable  | Replace   |

## Roof rack

| Problem  | Possible cause                                | Action                                      |
|--|---|---|
| Push button does not return to normal position | Cross bar is not in a detent<br>Broken spring | Move cross bar to a detent<br>Replace slide |
| Missing attaching hardware                     | Vibration                                     | Replace hardware                            |
| Broken slide rail                              | Accident                                      | Replace slide rail                          |
| Broken cross bar                               | Accident                                      | Replace cross bar                           |
| Broken slide                                   | Accident                                      | Replace slide                               |
| Missing base cover                             | Vibration or accident                         | Replace base cover                          |

## General Information

## BD-5

### Windshield

| Problem                                      | Possible cause                      | Action          |
|--|-------------------------------------|-----------------|
| Water leak through windshield                | Defective weatherstrip seal         | Fill sealant    |
|  | Cracked or defective weatherstrip   | Replace         |
|  | Defective body flange               | Correct         |
| Water leak through tailgate window           | Cracked or defective weatherstrip   | Replace         |
|  | Defective tailgate window flange    | Correct         |
| Water leak through front door window         | Incorrect window glass installation | Adjust position |
|  | Gap at upper window glass           | Adjust position |
| Water leak through front door window         | Defective window frame              | Replace         |
| Water leak through fixed type quarter window | Cracked or defective weatherstrip   | Replace         |
|  | Defective quarter panel flange      | Correct         |

### Stationary glass

| Problem     | Possible cause               | Action                                      |
|-------------|------------------------------|---|
| Water leak  | Faulty seal                  | Seal the edge around the top and both sides |
| Wind noise  | Faulty seal                  | Seal the edge around the top and both sides |
| Minor chip  | Pebble, BB, etc.             | Repair                                      |
| Major chip  | Rock, falling object, etc.   | Repair                                      |
| Major crack | Accident, malicious mischief | Replace                                     |
| Deformation | Accident, malicious mischief | Replace                                     |
| Pitting     | Sand storm                   | Replace                                     |

### Bumpers

| Problem                                       | Possible cause        | Action            |
|---|-----------------------|-------------------|
| Bumper face damaged                           | Accident              | Replace           |
| Energy absorbing foam damaged or deteriorated | Accident or exposure  | Replace           |
| Reinforcement damaged                         | Accident              | Replace           |
| Brackets or stays damaged                     | Accident              | Repair or replace |
| Missing attached hardware                     | Accident or vibration | Replace           |

## BD-6

## Body (Interior and Exterior)

## Seat belts

| Problem   | Possible cause                                     | Action  |
|---|--|---|
| Buckle release does not release reliably  | Faulty spring or dirt in the mechanism             | Replace buckle assembly   |
| Buckle release does not depress   | Jammed mechanism                                   | Replace buckle assembly   |
| Buckle release button does not return to normal position  | Jammed mechanism                                   | Replace buckle assembly   |
| Webbing is frayed   | Caught in door                                     | Replace retractor assembly  |
| Stitching is loose  | Wear or accident                                   | Replace retractor assembly  |
| Belt retracts part-way  | Faulty spring                                      | Replace retractor assembly  |
| Belt does not extend completely   | Faulty mechanism                                   | Replace retractor assembly  |
| Belt does not retract   | Wear or accident                                   | Replace retractor assembly  |
| Belt does not extend  | Faulty mechanism                                   | Replace retractor assembly  |
| Buckle assembly is loose  | Vibration or accident                              | Tighten to specified torque   |
| Retractor assembly is loose   | Vibration or accident                              | Tighten to specified torque   |
| Anchor assembly is loose  | Vibration or accident                              | Tighten to specified torque   |
| Driver's seat belt is fastened but reminder lamp either does not actuate or fails to deactivate | Cable harness, computer module, or indicator light | Isolate fault with continuity tester. If test fails, repair or replace the cable. If test does not fail, replace the computer |

اولین سامانه دیجیتال تعمیرکاران خودرو در ایران

## General Information

## BD-7

## TIGHTENING TORQUE

| Item         | Description                | N-m     | kg-m      | lb-ft   |
|--------------|----------------------------|---------|-----------|---------|
| Front fender | Mounting bolts             | 7 ~ 9   | 0.7 ~ 0.9 | 5 ~ 7   |
| Hood         | Hinge                      | 22 ~ 27 | 2.2 ~ 2.7 | 16 ~ 20 |
|              | Latch assembly             | 7 ~ 11  | 0.7 ~ 1.1 | 5 ~ 8   |
| Rear hatch   | Hinge                      | 7 ~ 10  | 0.7 ~ 1.0 | 5 ~ 7   |
|              | Wiper arm mounting nut     | 18 ~ 22 | 1.8 ~ 2.2 | 13 ~ 16 |
|              | Outside handle             | 7 ~ 10  | 0.7 ~ 1.0 | 5 ~ 7   |
|              | Wiper motor mounting bolts | 7 ~ 10  | 0.7 ~ 1.0 | 5 ~ 7   |
|              | Striker                    | 9 ~ 14  | 0.9 ~ 1.4 | 7 ~ 10  |
|              | Latch                      | 7 ~ 11  | 0.7 ~ 1.1 | 5 ~ 8   |
|              | Latch remote controller    | 7 ~ 11  | 0.7 ~ 1.1 | 5 ~ 8   |
| Front door   | Checker (Body side)        | 22 ~ 27 | 2.2 ~ 2.7 | 16 ~ 20 |
|              | Checker (Door side)        | 9 ~ 13  | 0.9 ~ 1.3 | 7 ~ 9   |
|              | Hinge (Body side)          | 35 ~ 42 | 3.5 ~ 4.2 | 25 ~ 30 |
|              | Hinge (Door side)          | 18 ~ 30 | 1.8 ~ 3.0 | 13 ~ 22 |
|              | Glass grip bolt            | 8 ~ 12  | 0.8 ~ 1.2 | 6 ~ 9   |
|              | Glass guide                | 8 ~ 12  | 0.8 ~ 1.2 | 6 ~ 9   |
|              | Regulator assembly         | 4 ~ 6   | 0.4 ~ 0.6 | 3 ~ 4   |
|              | Latch assembly             | 4 ~ 6   | 0.4 ~ 0.6 | 3 ~ 5   |
|              | Outside Handle             | 7 ~ 11  | 0.7 ~ 1.1 | 5 ~ 8   |
|              | Striker                    | 18 ~ 26 | 1.8 ~ 2.6 | 13 ~ 19 |
|              | Outside rearview mirror    | 5 ~ 7   | 0.5 ~ 0.7 | 4 ~ 5   |
| Rear door    | Checker (Body side)        | 22 ~ 27 | 2.2 ~ 2.7 | 16 ~ 20 |
|              | Checker (Door side)        | 9 ~ 13  | 0.9 ~ 1.3 | 7 ~ 9   |
|              | Hinge (Body side)          | 35 ~ 42 | 3.5 ~ 4.2 | 25 ~ 30 |
|              | Hinge (Door side)          | 18 ~ 30 | 1.8 ~ 3.0 | 13 ~ 22 |
|              | Glass grip bolt            | 8 ~ 12  | 0.8 ~ 1.2 | 6 ~ 9   |
|              | Regulator assembly         | 4 ~ 6   | 0.4 ~ 0.6 | 3 ~ 4   |
|              | Latch assembly             | 4 ~ 6   | 0.4 ~ 0.6 | 3 ~ 5   |
|              | Outside Handle             | 7 ~ 11  | 0.7 ~ 1.1 | 5 ~ 8   |
|              | Striker                    | 18 ~ 26 | 1.8 ~ 2.6 | 13 ~ 19 |
| Crash pad    | Cross bar mounting bolts   | 17 ~ 26 | 1.7 ~ 2.6 | 12 ~ 19 |
| Seat         | Seat mounting bolt/nut     | 39      | 3.9       | 28      |

## BD-8

## Body (Interior and Exterior)

| Item      | Description             | N·m     | kg·m      | lb·ft   |
|-----------|-------------------------|---------|-----------|---------|
| Seat belt | Front upper anchor      | 40 ~ 55 | 4.0 ~ 5.5 | 29 ~ 40 |
|           | Front lower anchor      | 40 ~ 55 | 4.0 ~ 5.5 | 29 ~ 40 |
|           | Front height adjuster   | 40 ~ 55 | 4.0 ~ 5.5 | 29 ~ 40 |
|           | Retractor               | 40 ~ 55 | 4.0 ~ 5.5 | 29 ~ 40 |
|           | Buckle mounting bolt    | 40 ~ 55 | 4.0 ~ 5.5 | 29 ~ 40 |
|           | Rear upper/lower anchor | 40 ~ 55 | 4.0 ~ 5.5 | 29 ~ 40 |
|           | Child anchor            | 18 ~ 27 | 1.8 ~ 2.7 | 13 ~ 20 |

# دیجیتال خودرو

شرکت دیجیتال خودرو سامانه (مسئولیت محدود)

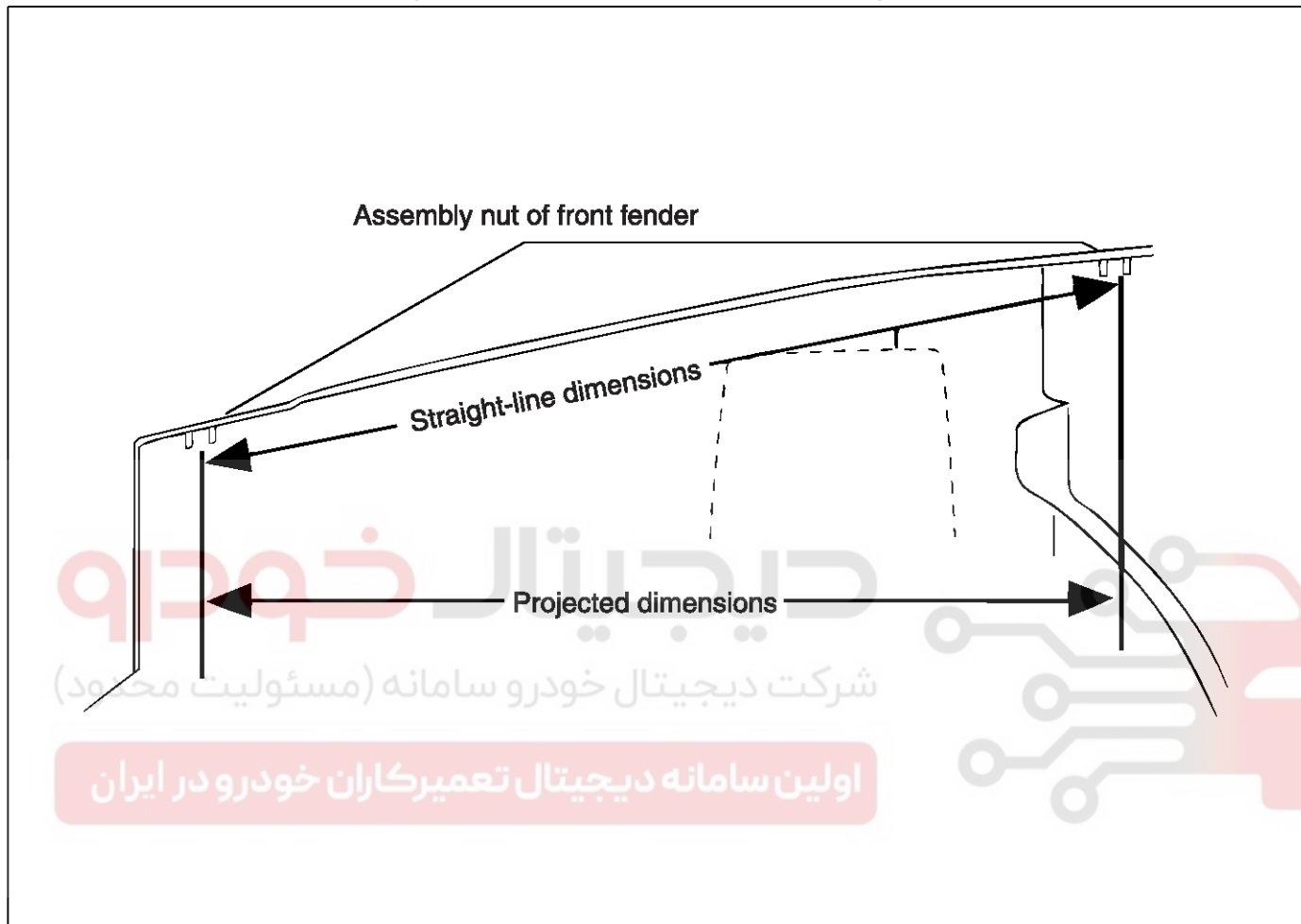
اولین سامانه دیجیتال تعمیرکاران خودرو در ایران



# Body Dimension

**BD-9**

## Body Dimension

**BODY DIMENSION INDICATION**
**PROJECTED DIMENSIONS**
**STRAIGHT-LINE DIMENSIONS (ACTUAL MEASURED DIMENSIONS)**


LSAC300A

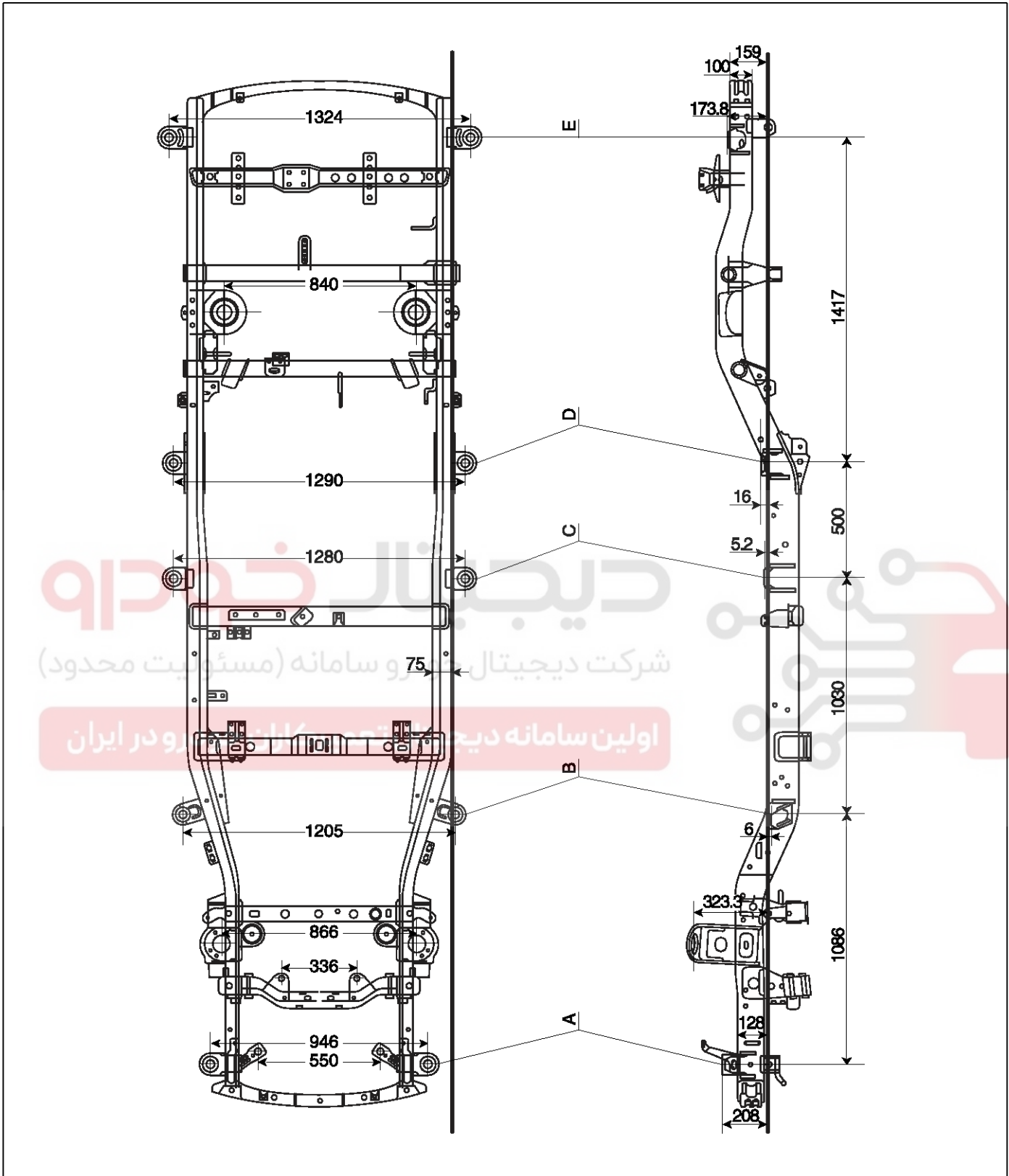
### UNDER BODY PROJECTED DIMENSIONS

| Measurement point | Description                | Hole size                        |
|-------------------|----------------------------|----------------------------------|
| A                 | Body mounting bracket No.1 | ø 36 mm                          |
| B                 | Body mounting bracket No.2 | LH : ø 32 mm, RH : ø 34 mm       |
| C                 | Body mounting bracket No.3 | ø 30 mm                          |
| D                 | Body mounting bracket No.4 | ø 30 mm                          |
| E                 | Body mounting bracket No.5 | LH : ø 34x38 mm, RH : ø 32x36 mm |



BD-10

Body (Interior and Exterior)



دیجیتال خودرو  
شرکت دیجیتال خودرو سامانه (مسئولیت محدود)  
اولین سامانه دیجیتال خودرو در ایران

LSAC310A

# Body Dimension

## BD-11

### UNDER BODY STRAIGHT-LINE DIMENSIONS

| Measurement point | Description                | Hole size                        |
|-------------------|----------------------------|----------------------------------|
| A                 | Body mounting bracket No.1 | ø 36 mm                          |
| B                 | Body mounting bracket No.2 | LH : ø 32 mm, RH : ø 34 mm       |
| C                 | Body mounting bracket No.3 | ø 30 mm                          |
| D                 | Body mounting bracket No.4 | ø 30 mm                          |
| E                 | Body mounting bracket No.5 | LH : ø 34x38 mm, RH : ø 32x36 mm |

# دیجیتال خودرو

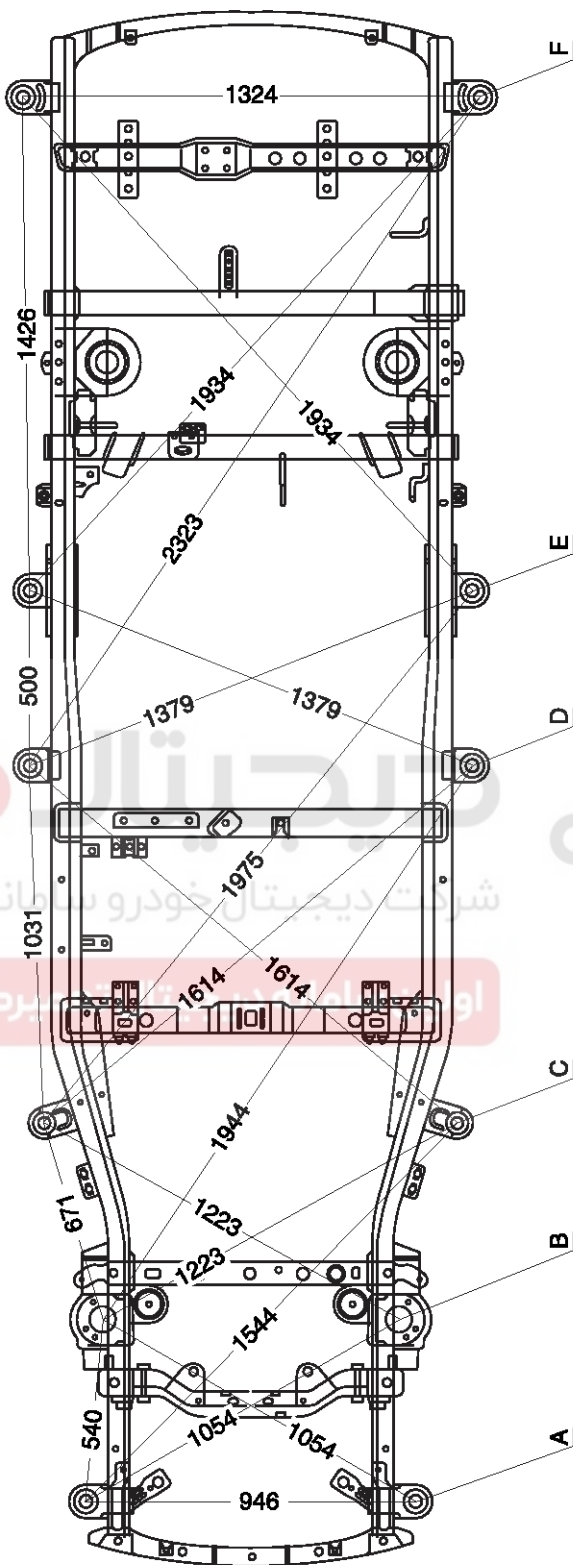
شرکت دیجیتال خودرو سامانه (مسئولیت محدود)

اولین سامانه دیجیتال تعمیرکاران خودرو در ایران



# BD-12

# Body (Interior and Exterior)



دیجیتال خودرو  
شرکت دیجیتال خودرو سامانه (مسئولیت محدود)  
اولین متخصصان تعمیرکاران خودرو در ایران

LSAC320A

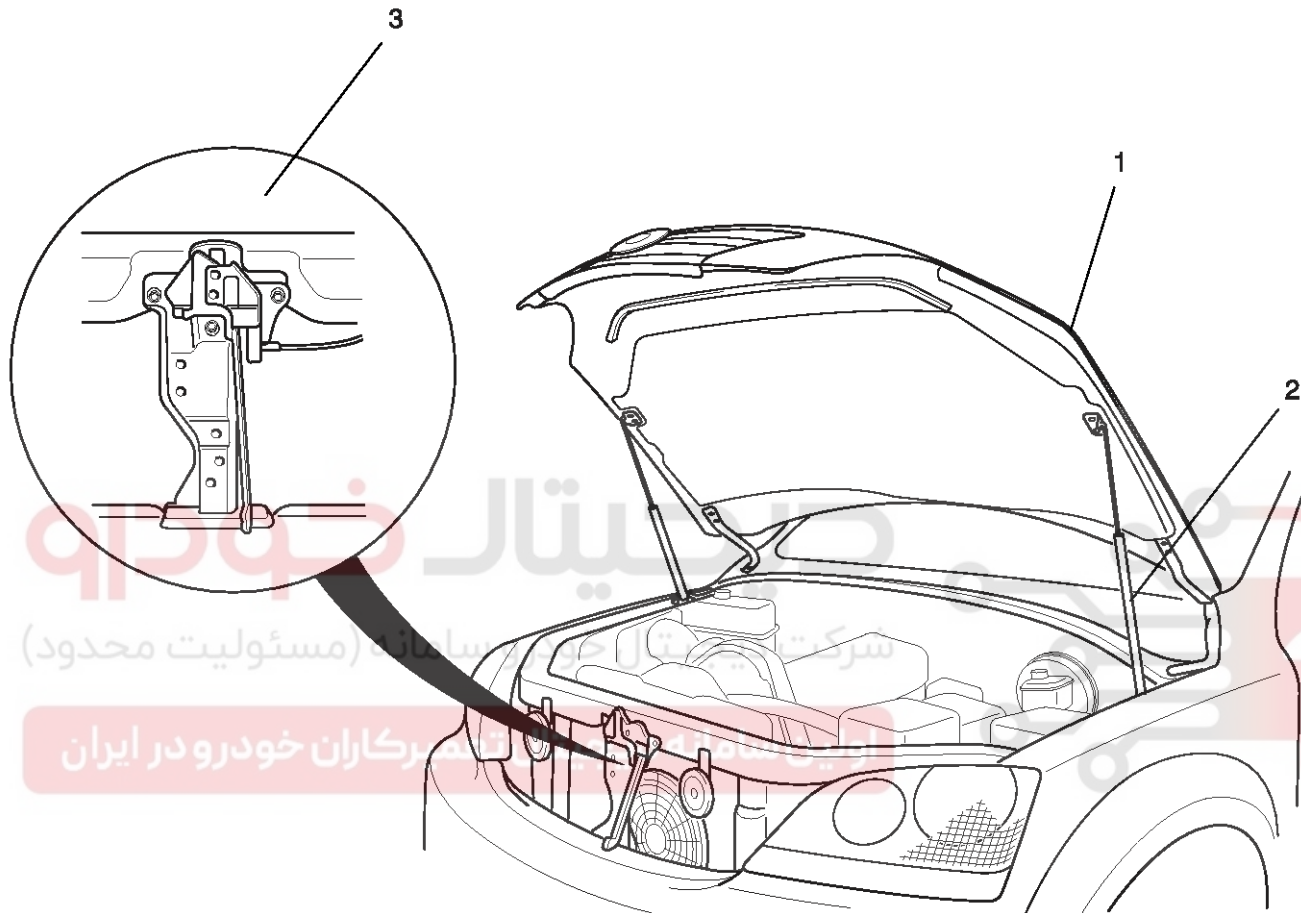
# Exterior

# BD-13

## Exterior

### Hood

#### COMPONENTS



- 1. Hood
- 2. Hood lifter
- 3. Hood latch

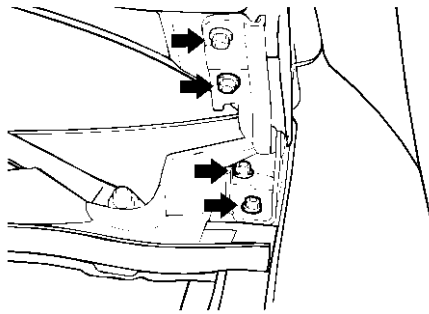
LSAC330A

**BD-14****Body (Interior and Exterior)****ADJUSTMENT****HOOD**

1. Adjust the hood laterally and vertically by loosening the hood to hinge mounting bolts and repositioning the hood.

Tightening torque :

22-27 N·m (2.2-2.7 kg·m, 16-20 lb·ft)



LSAC340A

2. Turn the hood rubber cushion either clockwise or counter clockwise to adjust the height of the hood.

دیجیتال خودرو

شرکت دیجیتال خودرو سامانه (مسئولیت محدود)

اولین سامانه دیجیتال تعمیرکاران خودرو در ایران

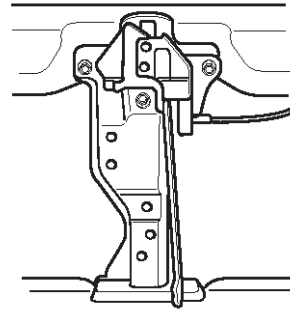
**HOOD LATCH**

1. Loosen the hood latch bolts.

Tightening torque :

7-11 N·m (0.7-1.1 kg·m, 5-8 lb·ft)

2. Adjust the alignment of the hood striker and the hood latch by adjusting the horizontal and vertical position of the latch and the height of the hood.



LSAC340D



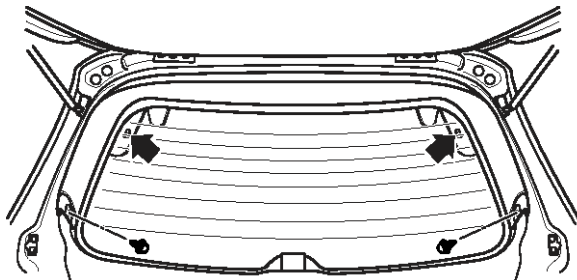
# Exterior

# BD-15

## Tailgate

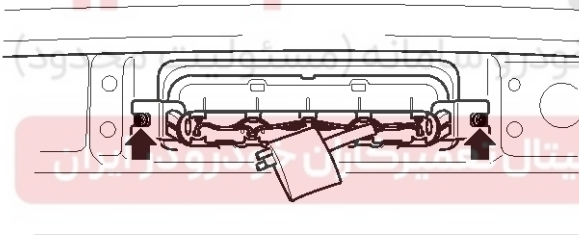
### REMOVAL AND INSTALLATION

1. Disconnect negative battery cable.
2. Remove tailgate upper trim.
  - 1) Disconnect rear window defroster connector.
  - 2) Remove upper trim fastener.



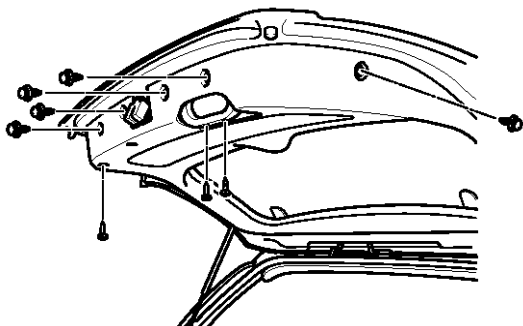
LSAC050A

3. Remove high-mounted brake light.
  - 1) Disconnect electrical connector.
  - 2) Remove high-mounted brake light screws (2).



LSAC050B

4. Remove tailgate trim.
  - 1) Remove tailgate fasteners (6) and screws (1).



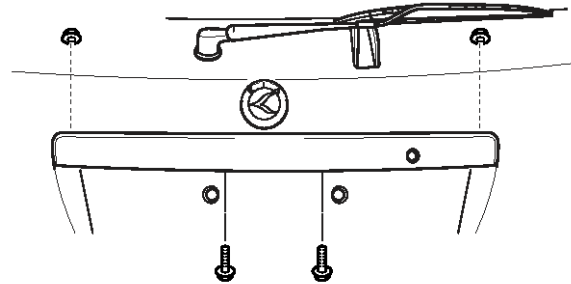
LSAC050C

- 2) Remove inner assist handle screws (2).
5. Remove tailgate screen.

6. Remove license plate light assembly.
  - 1) Remove license light nuts (2) and bolts (2).

Tightening torque :

7-11 N·m (0.7-1.1 kg·m, 5-8 lb·ft)



LSAC050E

- 2) Disconnect electrical connector.
7. Remove rear wiper arm and wiper blade.
  - 1) Remove head cap.
  - 2) Remove wiper blade nut (1).

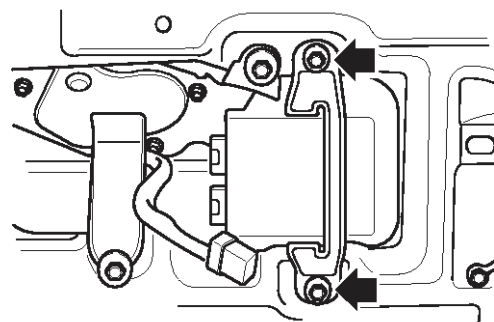
Tightening torque :

18-22 N·m (1.8-2.2 kg·m, 13-16 lb·ft)



LSAC050F

8. Remove rear wiper control unit.
  - 1) Disconnect electrical connector.
  - 2) Remove wiper control unit bolts (2).



LSAC050G

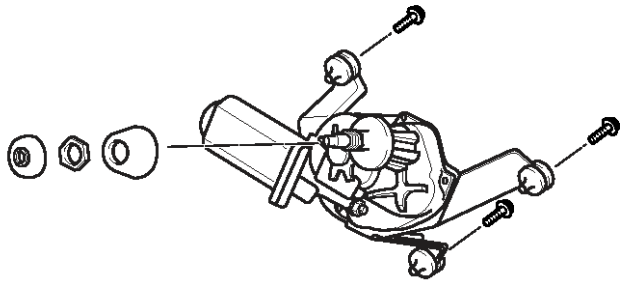
# BD-16

# Body (Interior and Exterior)

9. Remove rear wiper motor.

- 1) Remove wiper motor cover.
- 2) Remove wiper motor nut.
- 3) Remove wiper motor bolts (3).

Tightening torque : nut  
3-6 N·m (0.3-0.6 kg·m, 2-4 lb·ft)  
Tightening torque : bolts  
7-10 N·m (0.7-1.0 kg·m, 5-7 lb·ft)



LSAC050H

10. Remove tailgate lifter.

- 1) After pulling out lifter clip with (-) screwdriver, extract lifter.

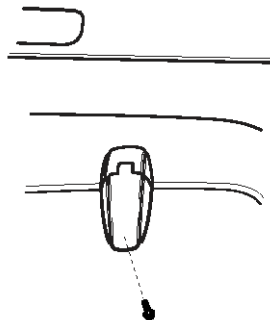


LSAC050I

11. Remove tailgate glass.

- 1) Remove tailgate glass hinge bolt (1).

Tightening torque : bolts  
7-10 N·m (0.7-1.0 kg·m, 5-7 lb·ft)

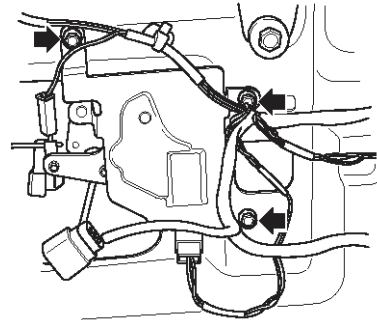


LSAC050J

12. Remove tailgate latch controller.

- 1) Disconnect electrical connector.
- 2) Remove tailgate latch controller rod.
- 3) Remove tailgate latch controller bolts(3).

Tightening torque : bolts  
7-11 N·m (0.7-1.1 kg·m, 5-8 lb·ft)

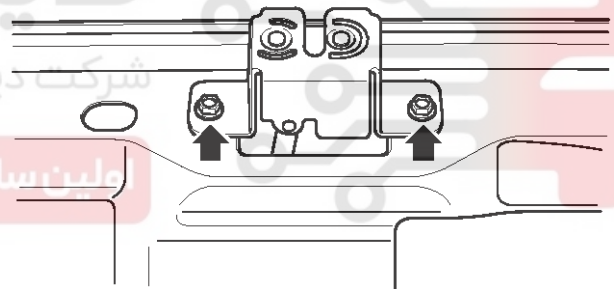


LSAC050K

13. Remove tailgate glass latch assembly.

- 1) Remove tailgate glass latch bolts(2).

Tightening torque : bolts  
7-11 N·m (0.7-1.1 kg·m, 5-8 lb·ft)

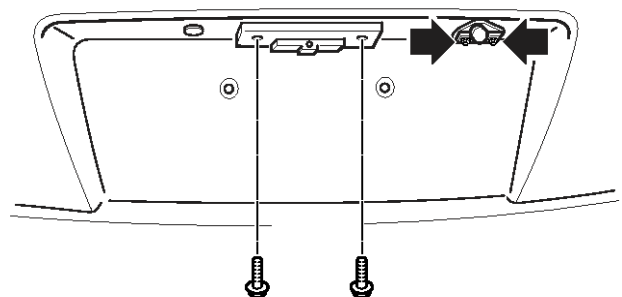


LSAC050L

14. Remove tailgate key cylinder.

- 1) Remove remote control rod.
- 2) Remove tailgate key cylinder nuts(2).

Tightening torque :  
12 N·m (1.2 kg·m, 9 lb·ft)



LSAC050M

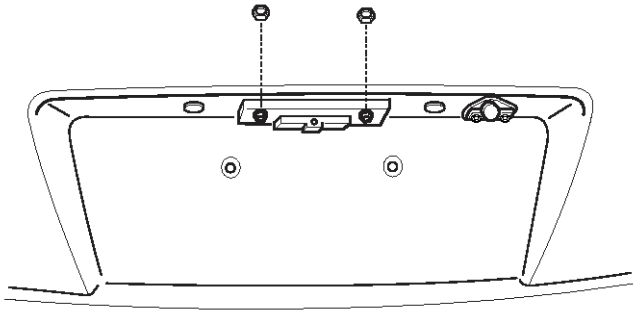
# Exterior

# BD-17

- 3) Disconnect electrical connector.
- 15. Remove tailgate outside handle.

- 1) Remove remote control rod.
- 2) Remove tailgate outside handle nuts(2).

Tightening torque : nuts  
7-10 N·m (0.7-1.0 kg·m, 5-7 lb·ft)

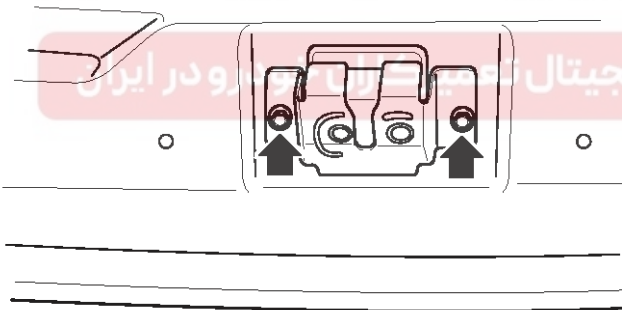


LSAC050N

- 16. Remove tailgate latch assembly.

- 1) Remove remote control rod.
- 2) Remove tailgate latch bolts (2).

Tightening torque : tailgate latch  
7-11 N·m (0.7-1.1 kg·m, 5-8 lb·ft)  
Tightening torque : tailgate lock striker  
9-14 N·m (0.9-1.4 kg·m, 7-10 lb·ft)

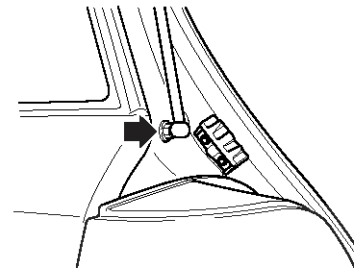
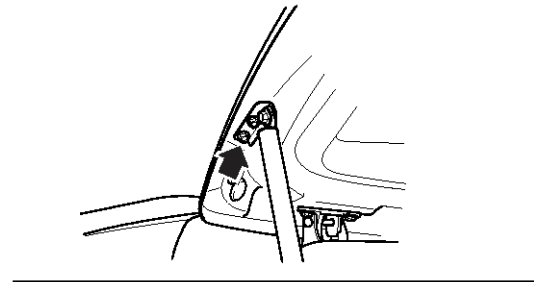


LSAC050O

- 3) Disconnect electrical connector.
- 17. Remove wiring harness and rear washer nozzle.

- 18. Remove tailgate lifter.

- 1) After pulling out lifter clip with (-) screwdriver, extract lifter.

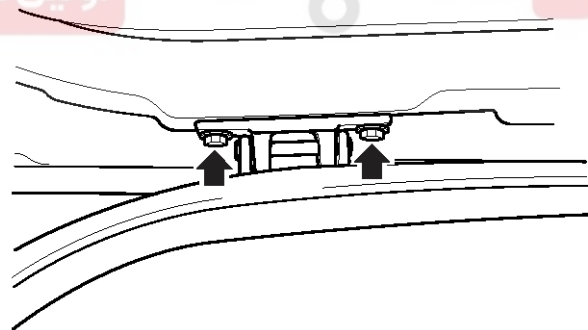


LSAC050P

- 19. Remove tailgate hinge.

- 1) Remove tailgate hinge bolts (2).

Tightening torque : bolts  
7-10 N·m (0.7-1.0 kg·m, 5-7 lb·ft)



LSAC050Q

- 20. Install in reverse order of removal.



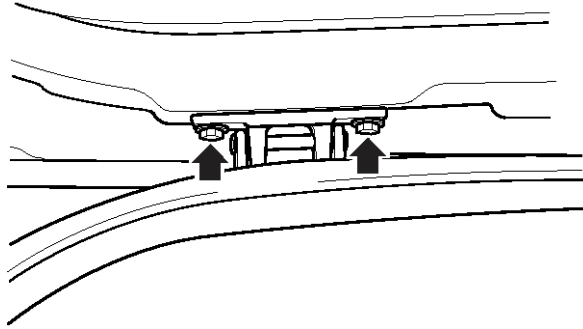
## BD-18

## Body (Interior and Exterior)

### ADJUSTMENT

#### TAILGATE HINGE

1. Check that the tailgate can be closed easily and that there is no play. If there is a problem, open the tailgate and tighten the tailgate hinge install bolts.
2. To adjust the tailgate-to-body offset, loosen the tailgate hinge install bolts and make the adjustment.



LSAC060A

# دیجیتال خودرو

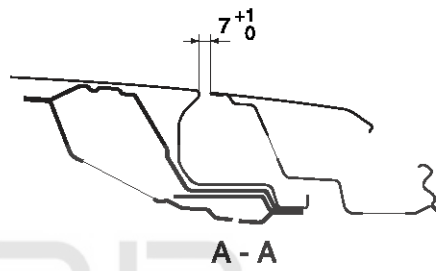
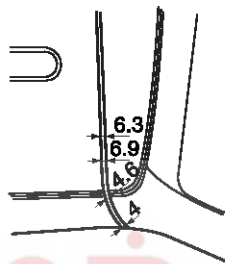
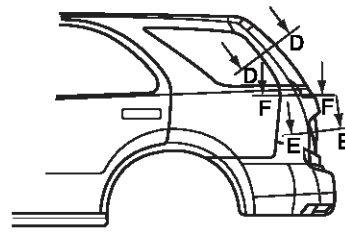
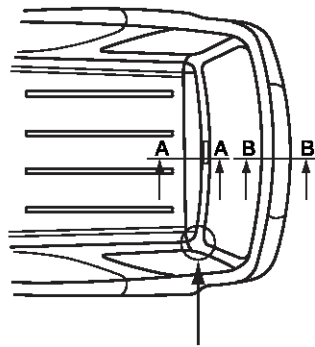
شرکت دیجیتال خودرو سامانه (مسئولیت محدود)

اولین سامانه دیجیتال تعمیرکاران خودرو در ایران

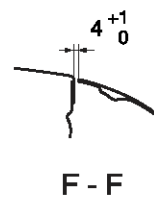
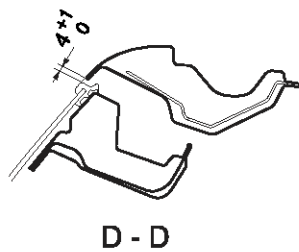
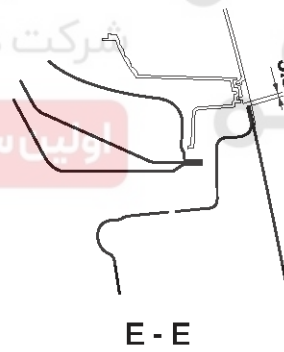
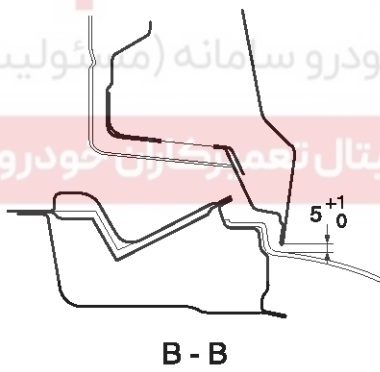


Exterior

BD-19



دیجیتال خودرو  
شرکت دیجیتال خودرو سامانه (مسئولیت محدود)  
اولین سامانه دیجیتال تعمیرکاران خودرو در ایران



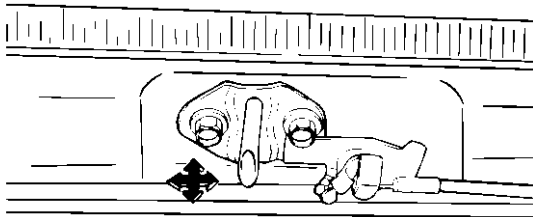
LSAC060B

## BD-20

## Body (Interior and Exterior)

### TAILGATE LOCK STRIKER

1. Check that the tailgate can be closed easily. If there is a problem, loosen the striker install bolts and adjust the tailgate by moving the striker vertically and horizontally.
2. Adjust the rear offset of the tailgate to the body by moving the tailgate lock striker horizontally.



LSAC060C

# دیجیتال خودرو

شرکت دیجیتال خودرو سامانه (مسئولیت محدود)

اولین سامانه دیجیتال تعمیرکاران خودرو در ایران



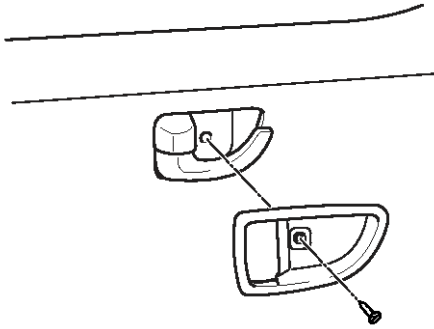
# Exterior

# BD-21

## Front Door

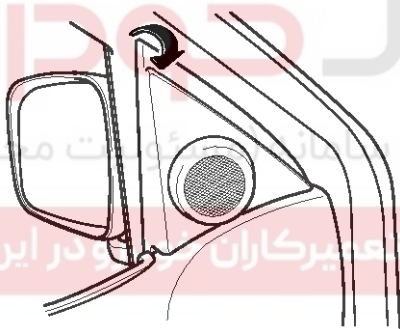
### REMOVAL AND INSTALLATION

1. Disconnect negative battery cable.
2. Remove door inner handle cover.



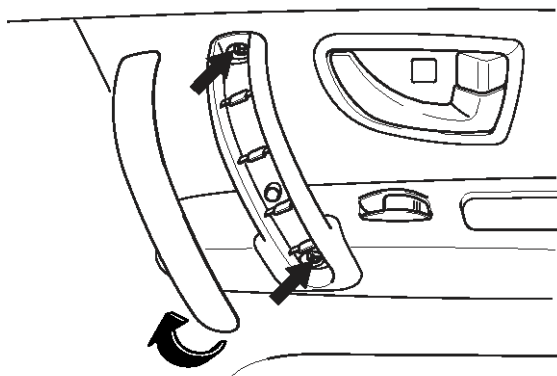
LSAC010A

- 1) Remove door inner handle cover screw (1).
- 2) Remove inner handle cover.
3. Remove outside rearview mirror garnish.
  - 1) Remove garnish from door frame.



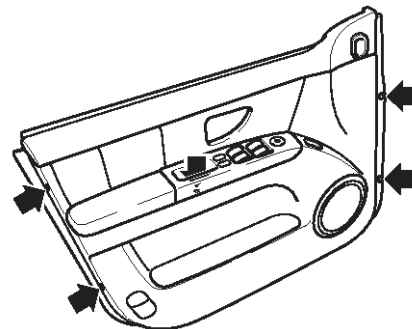
LSAC010B

- 2) Disconnect electrical connector.
4. Remove assist grip cover. (only passenger side)



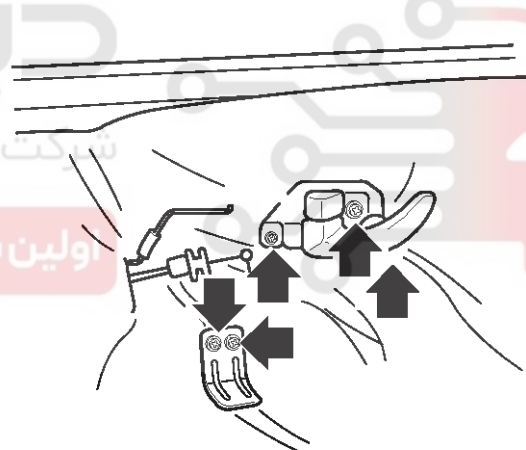
BSAD010A

- 1) Remove assist grip cover.
- 2) Remove screws (2).
5. Remove door trim.



LSAC010C

- 1) Remove door pull handle screw (1).
- 2) Remove door trim fasteners (4).
- 3) Disconnect electrical connector.
6. Door inner handle and pull handle bracket.



BSAD010D

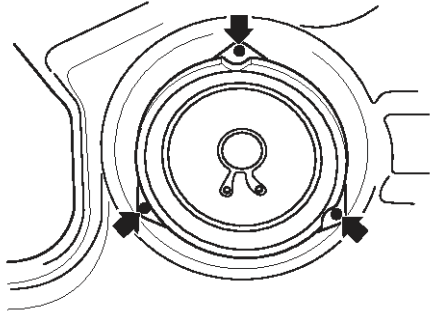
- 1) Remove door lock rod.
- 2) Remove inner handle bracket screws (3).
- 3) Remove pull handle bracket screws (2).
7. Remove outside rearview mirror folding control unit.
  - 1) Remove screw (1).
  - 2) Disconnect electrical connector.

## BD-22

## Body (Interior and Exterior)

## 8. Remove door speaker.

- 1) Remove door speaker screws (3).



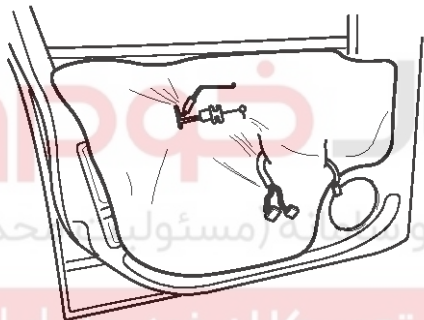
LSAC010E

- 2) Disconnect electrical connector.

## 9. Remove door screen.

**NOTICE**

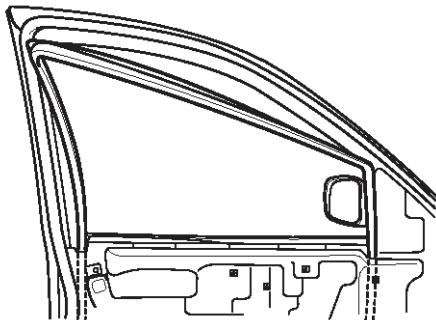
Peel door screen off carefully so that it can be reused.



LSAC010F

## 10. Remove window glass.

- 1) Reconnect power window switch connector.
- 2) Connect negative battery cable.
- 3) Turn ignition switch "ON" and position window glass bolt access hole.
- 4) Turn ignition switch "OFF".
- 5) Remove glass run channel.

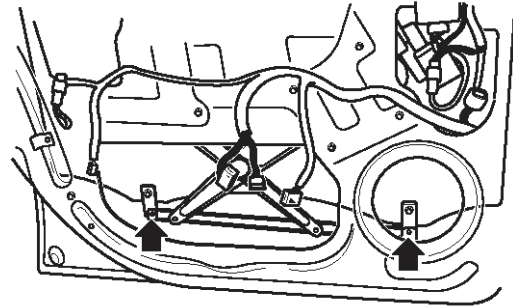


LSAC010G

## 6) Remove window glass grip bolts (2).

Tightening torque :

8-12 N·m (0.8-1.2 kg·m, 6-9 lb·ft)



LSAC010H

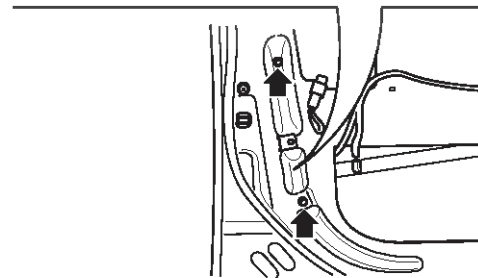
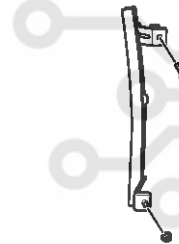
## 7) Disconnect negative battery cable.

## 11. Remove window glass guide.

- 1) Remove window glass guide (front) bolt (1) and nut (1).

Tightening torque :

8-12 N·m (0.8-1.2 kg·m, 6-9 lb·ft)



LSAC010I

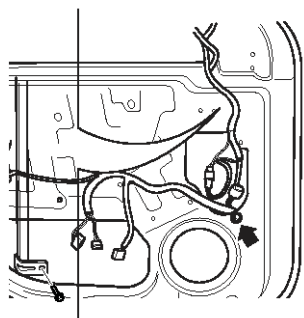
# Exterior

# BD-23

- 2) Remove window glass guide (rear) bolt(1).

Tightening torque :

8-12 N·m (0.8-1.2 kg·m, 6-9 lb·ft)



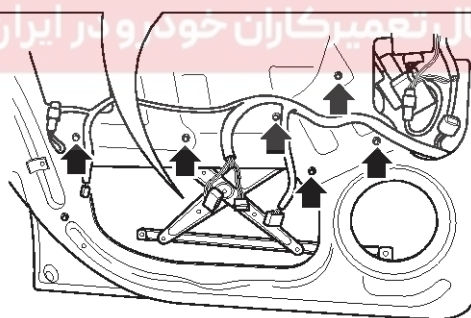
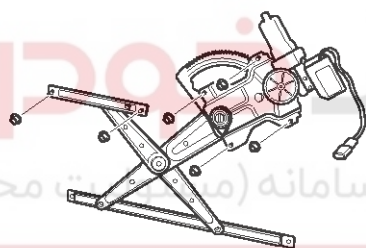
LSAC010J

12. Remove power window regulator assembly.

- 1) Remove power window regulator nuts (6).

Tightening torque :

4-6 N·m (0.4-0.6 kg·m, 3-4 lb·ft)



LSAC010K

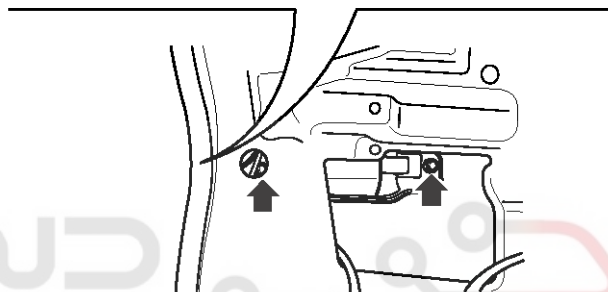
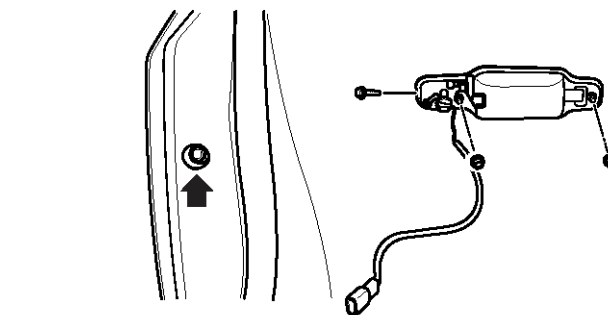
- 2) Disconnect electrical connector.

13. Remove door outer handle and key set.

- 1) Remove remote control rod.
- 2) Remove door outer handle nuts (2) and bolt (1).

Tightening torque :

7-11 N·m (0.7-1.1 kg·m, 5-8 lb·ft)



LSAC010L

- 3) Disconnect electrical connector.

# BD-24

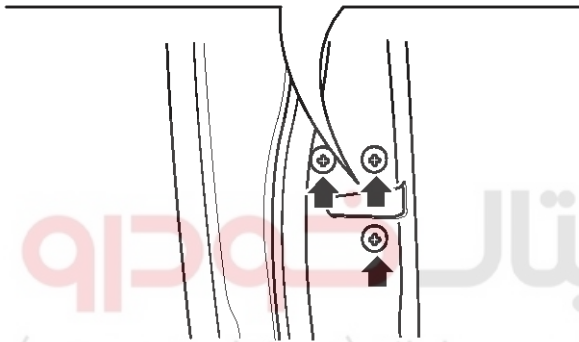
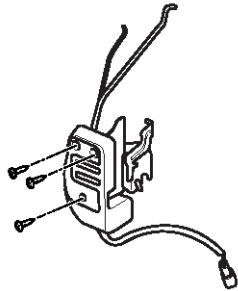
# Body (Interior and Exterior)

14. Remove door latch assembly.

- 1) Remove door latch screws (3).

Tightening torque : Door latch  
4-6 N·m (0.4-0.6 kg·m, 3-5 lb·ft)

Tightening torque : Door striker  
18-26 N·m (1.8-2.6 kg·m, 13-19 lb·ft)



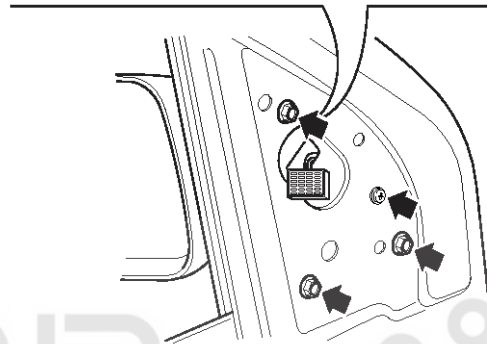
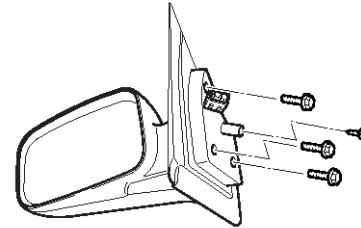
LSAC010M

- 2) Disconnect electrical connector.

15. Remove outside rearview mirror.

- 1) Remove bolts (3) and clip.

Tightening torque :  
5-7 N·m (0.5-0.7 kg·m, 4-5 lb·ft)



LSAC010N

- 2) Disconnect electrical connector.

16. Remove door outside belt weatherstrip.

- 1) Remove door outside belt weatherstrip nut (1).

Tightening torque :  
2.5-3.6 N·m (0.25-0.36 kg·m, 2-3 lb·ft)



LSAC010O

- 2) Remove door outside belt weatherstrip from door frame.

## Exterior

## BD-25

17. Remove door wiring harness.

18. Remove door checker bolt(1) from body frame.

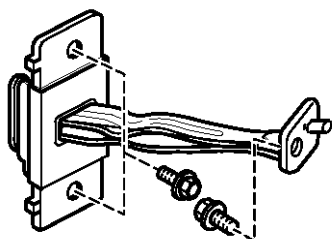
Tightening torque : Body side

22-27 N·m (2.2-2.7 kg·m, 16-20 lb·ft)

Tightening torque : Door side

9-13 N·m (0.9-1.3 kg·m, 7-9 lb·ft)

DOOR ← → BODY



LSAC010P

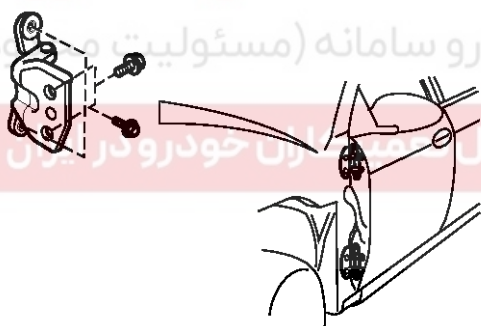
19. Remove door lower hinge bolts(2) and door upper hinge bolts(2) from body frame.

Tightening torque : Body side

35-42 N·m (3.5-4.2 kg·m, 25-30 lb·ft)

Tightening torque : Door side

18-30 N·m (1.8-3.0 kg·m, 13-22 lb·ft)



LSAC010Q

20. Install in reverse order of removal.



## BD-26

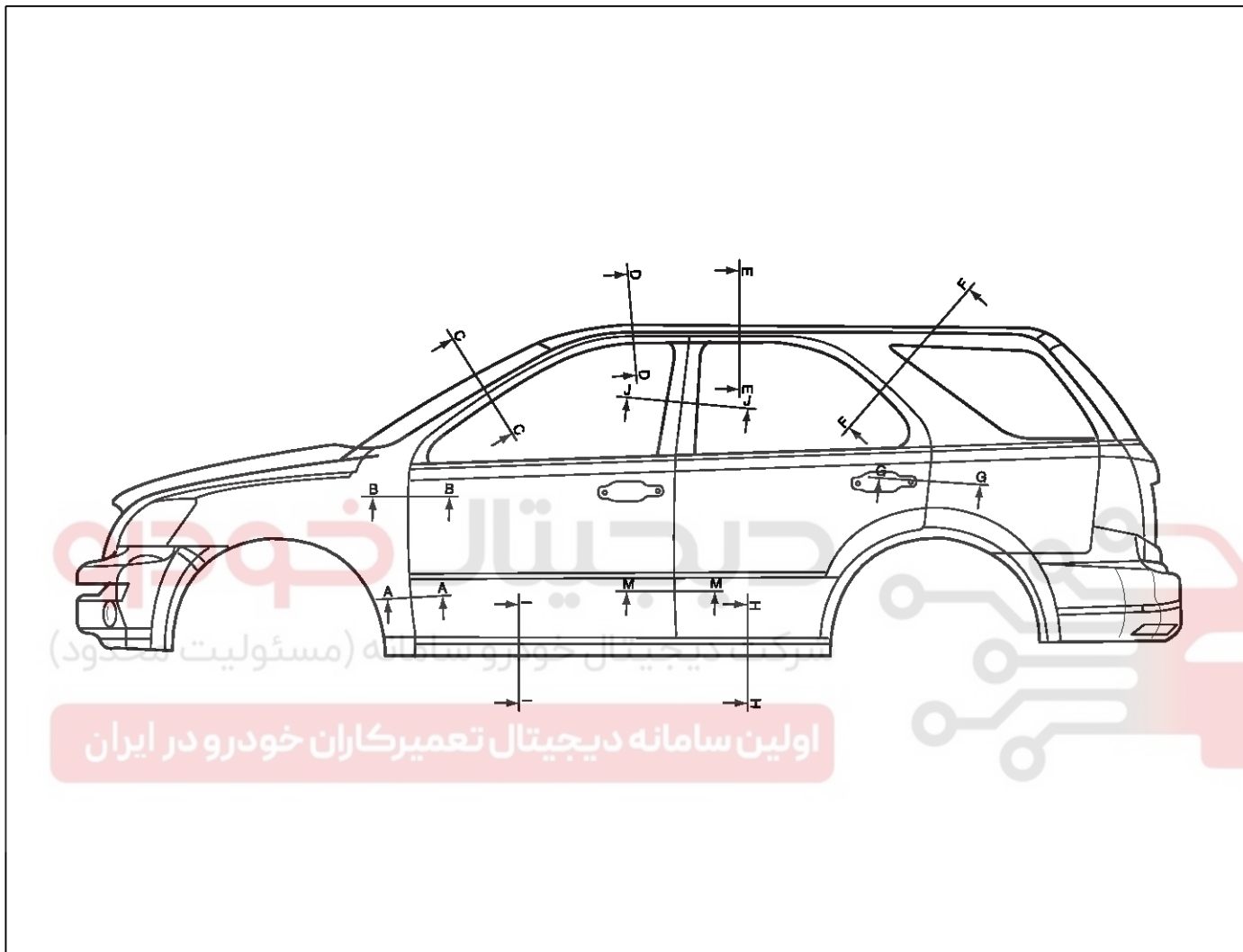
## Body (Interior and Exterior)

## ADJUSTMENT

## DOOR HINGE

1. Check that the door can be closed easily and that there is no play. If there is a problem, open the door and tighten the door hinge install bolts.

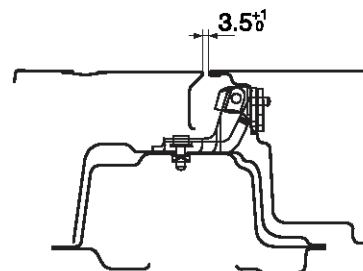
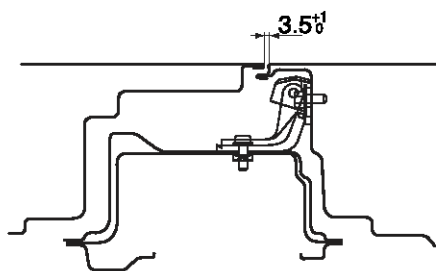
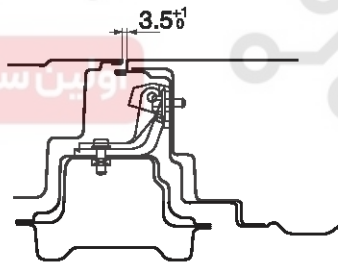
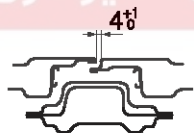
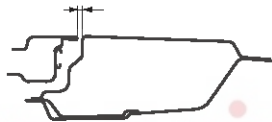
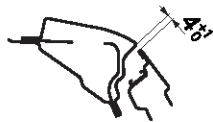
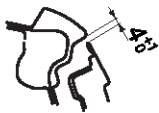
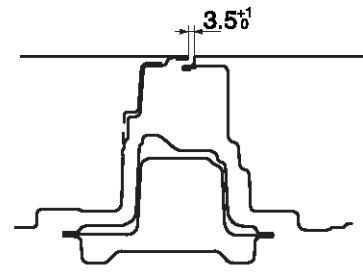
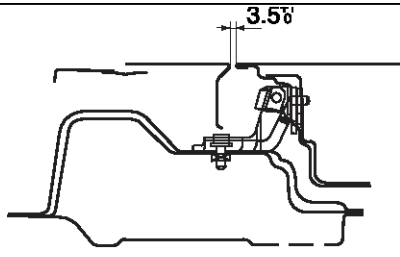
2. To adjust the door-to-body offset, loosen the door hinge install bolts and make the adjustment.



LSAC020A

Exterior

BD-27



دیجیتال خودرو  
شرکت دیجیتال خودرو سامانه (مسئولیت محدود)  
وبسایت سامانه دیجیتال تعمیرکاران خودرو در ایران

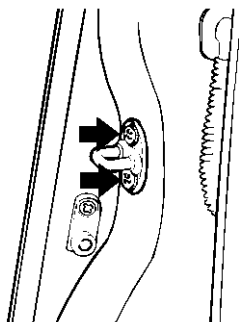
LSAC020B

## BD-28

## Body (Interior and Exterior)

### DOOR LOCK STRIKER

1. Check that door can be closed easily. If there is a problem, loosen the striker install bolts and adjust the door by moving the striker vertically and horizontally.
2. Adjust the rear offset of the door to the body by moving the door lock striker horizontally.



LSAC020C

# دیجیتال خودرو

شرکت دیجیتال خودرو سامانه (مسئولیت محدود)

اولین سامانه دیجیتال تعمیرکاران خودرو در ایران



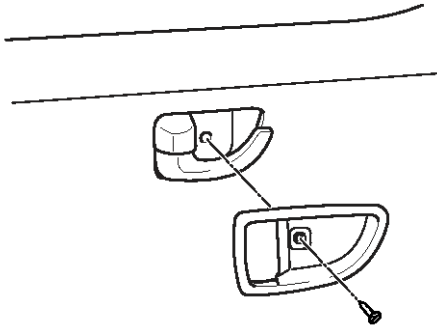
# Exterior

# BD-29

## Rear Door

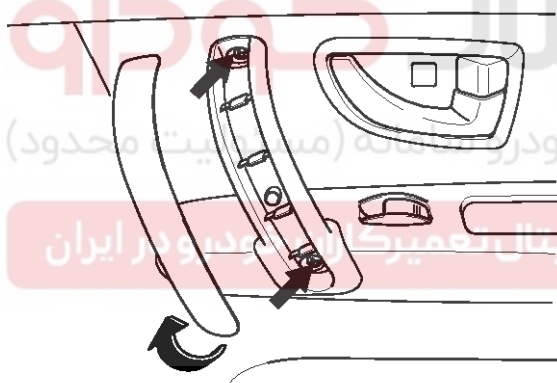
### REMOVAL AND INSTALLATION

1. Disconnect negative battery cable.
2. Remove door inner handle cover.
  - 1) Remove door inner handle screw (1).



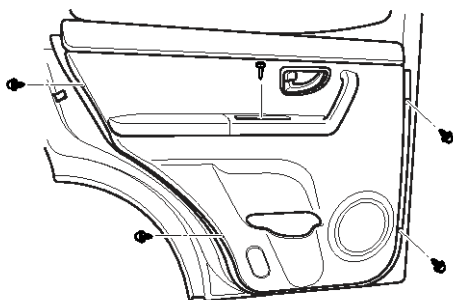
LSAC010A

- 2) Remove door inner handle cover.
3. Remove assist grip cover.



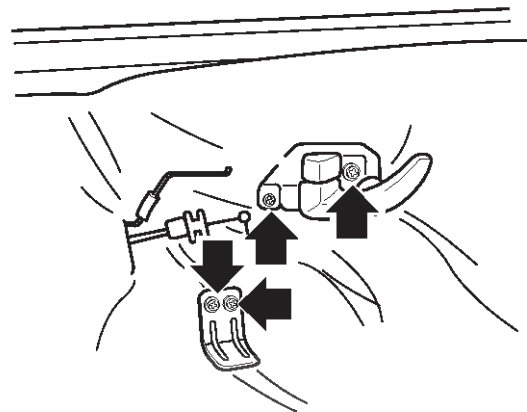
BSAD010A

- 1) Remove assist grip cover.
- 2) Remove screws (2).
4. Remove door trim.



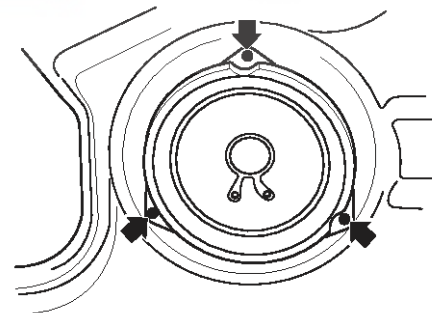
LSAC030A

- 1) Remove door pull handle screw (1).
- 2) Remove door trim fasteners (4).
- 3) Disconnect electrical connector.
5. Remove door inner handle and door pull handle bracket.



BSAD030A

- 1) Remove door lock rod.
- 2) Remove door inner handle screws(2).
- 3) Remove door pull handle bracket screws (2).
6. Remove door speaker.
  - 1) Remove door speaker screws(3).



LSAC010E

- 2) Disconnect electrical connector.

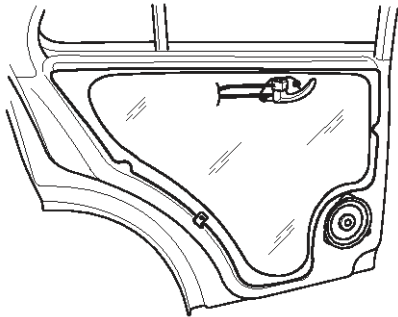
# BD-30

# Body (Interior and Exterior)

7. Remove door screen.

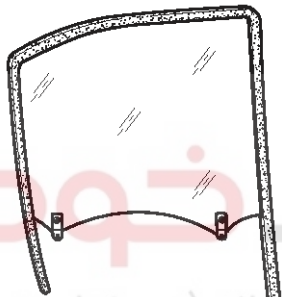
**NOTICE**

Peel door screen off carefully so that it can be reused.



LSAC030B

8. Remove window glass run channel.



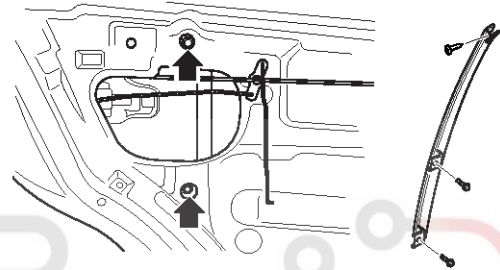
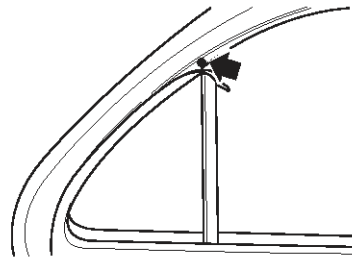
LSAC030C

9. Remove window glass guide.

- 1) Remove window glass guide (front) bolts (2) and screw (1).

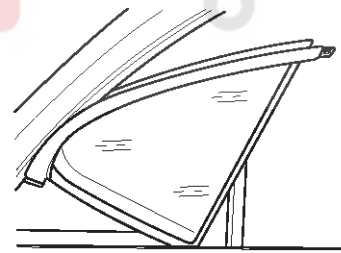
Tightening torque :

8-12 N·m (0.8-1.2 kg·m, 6-9 lb·ft)



LSAC030D

10. Remove fixed glass.



LSAC030E



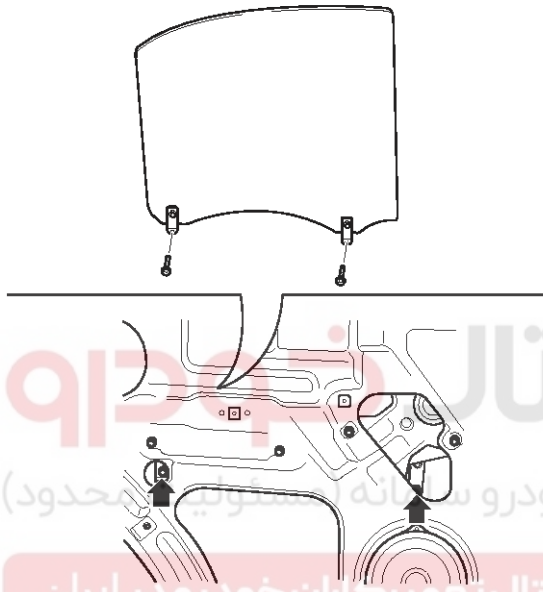
# Exterior

# BD-31

## 11. Remove window glass.

- 1) Reconnect power window switch connector.
- 2) Connect negative battery cable.
- 3) Turn ignition switch "ON" and position window glass grip bolt access hole.
- 4) Turn ignition switch "OFF".
- 5) Remove window glass grip bolts (2).

Tightening torque :  
8-12 N·m (0.8-1.2 kg·m, 6-9 lb·ft)



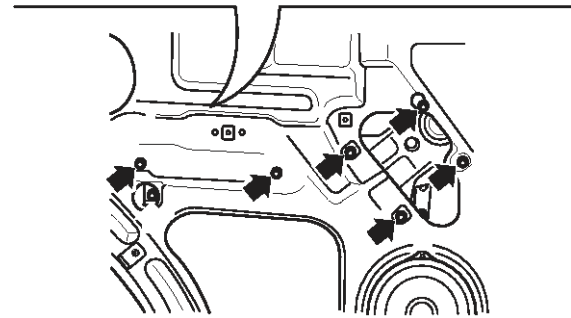
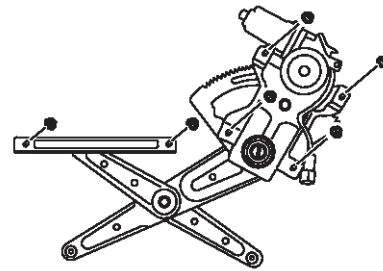
LSAC030F

- 6) Disconnect negative battery cable.

## 12. Remove window regulator assembly.

- 1) Remove window regulator nuts(6).

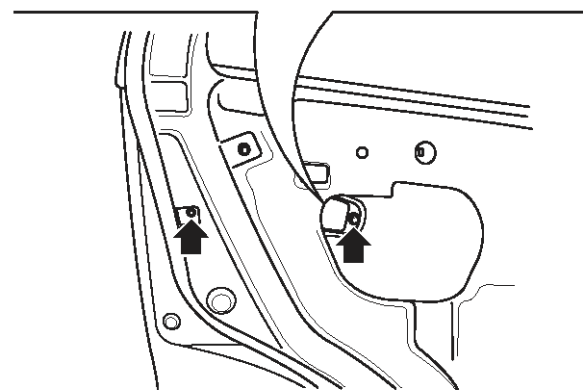
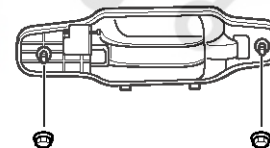
Tightening torque :  
4-6 N·m (0.4-0.6 kg·m, 3-4 lb·ft)



LSAC030G

- 2) Disconnect electrical connector.
- ## 13. Remove door outer handle.
- 1) Remove door outer handle nuts(2).

Tightening torque :  
7-11 N·m (0.7-1.1 kg·m, 5-8 lb·ft)



LSAC030H

# BD-32

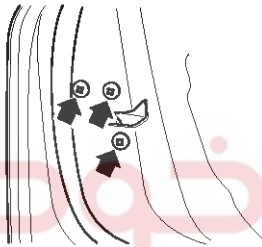
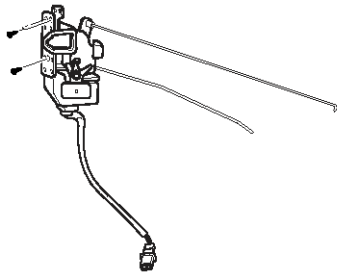
# Body (Interior and Exterior)

14. Remove door latch assembly.

- 1) Remove door latch screws (3).

Tightening torque : Door latch  
4-6 N·m (0.4-0.6 kg·m, 3-5 lb·ft)

Tightening torque : Door latch striker  
19-26 N·m (1.8-2.6 kg·m, 13-20 lb·ft)



LSAC030I

- 2) Disconnect electrical connector.

15. Remove door outside belt weatherstrip.

- 1) Remove door outside belt weatherstrip nut (1).

Tightening torque :  
2.5-3.6 N·m (0.25-0.36 kg·m, 2-3 lb·ft)



LSAC030J

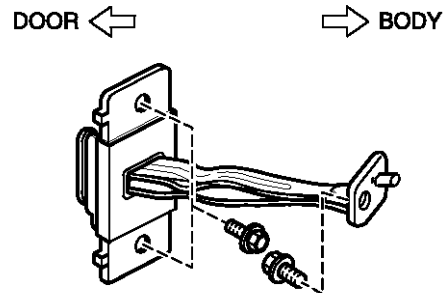
- 2) Remove door outside belt weatherstrip from doorframe.

16. Remove door wiring harness.

17. Remove door lock checker install bolt(1) from body frame.

Tightening torque : Body side  
22-27 N·m (2.2-2.7 kg·m, 16-20 lb·ft)

Tightening torque : Door side  
9-13 N·m (0.9-1.3 kg·m, 7-9 lb·ft)

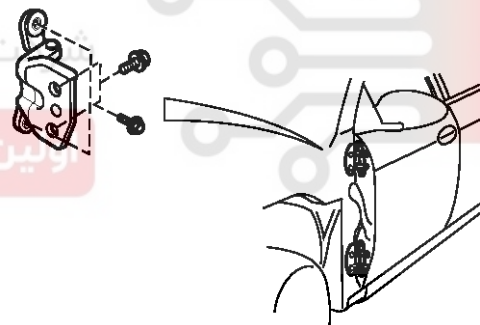


LSAC010P

18. Remove door lower hinge bolts(2) and upper hinge bolts(2) from body frame.

Tightening torque : Body side  
35-42 N·m (3.5-4.2 kg·m, 25-30 lb·ft)

Tightening torque : Door side  
18-30 N·m (1.8-3.0 kg·m, 13-22 lb·ft)



LSAC010Q

19. Install in reverse order of removal.

## Exterior

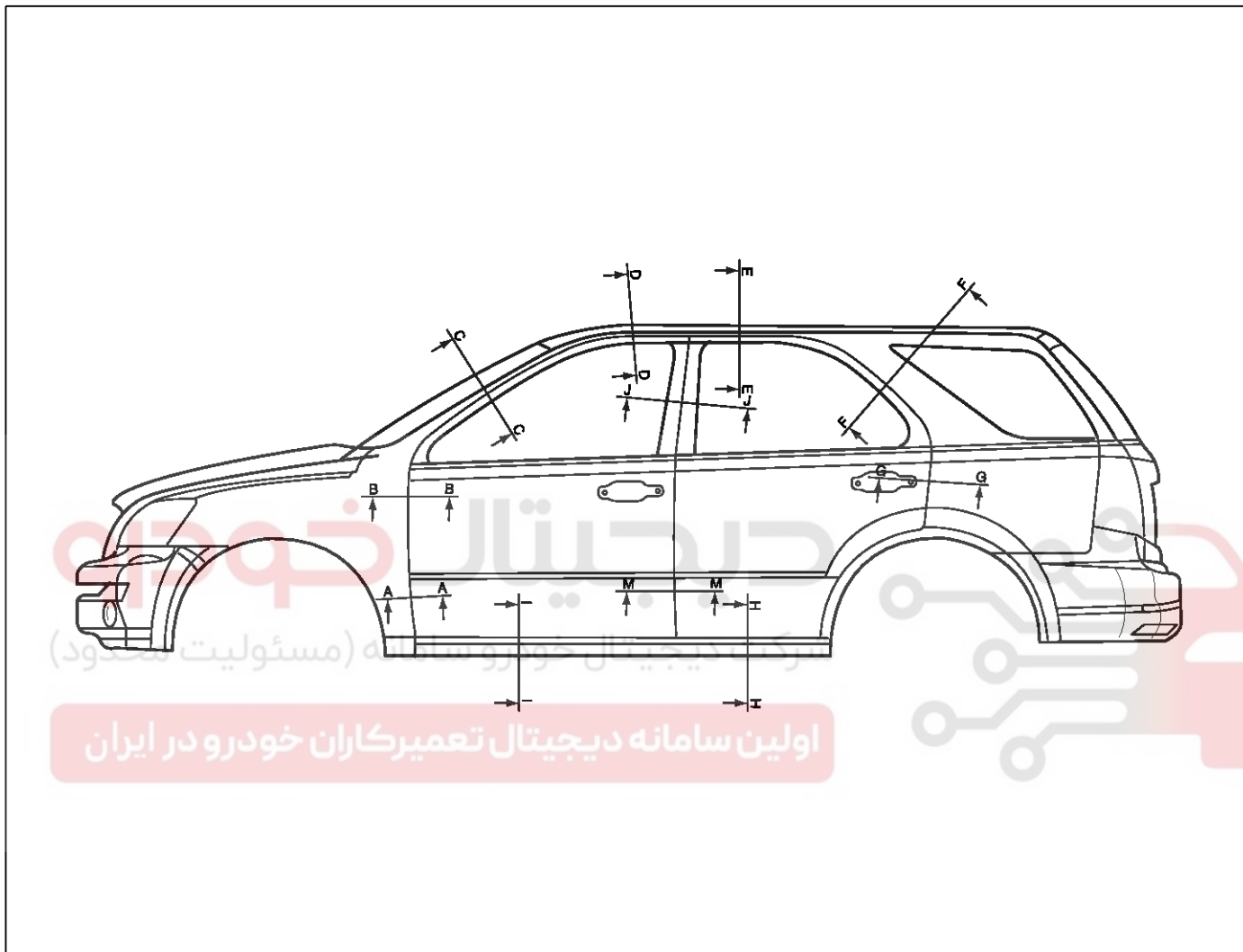
## BD-33

### ADJUSTMENT

#### DOOR HINGE

1. Check that the door can be closed easily and that there is no play. If there is a problem, open the door and tighten the door hinge install bolts.

2. To adjust the door-to-body offset, loosen the door hinge install bolts and make the adjustment.

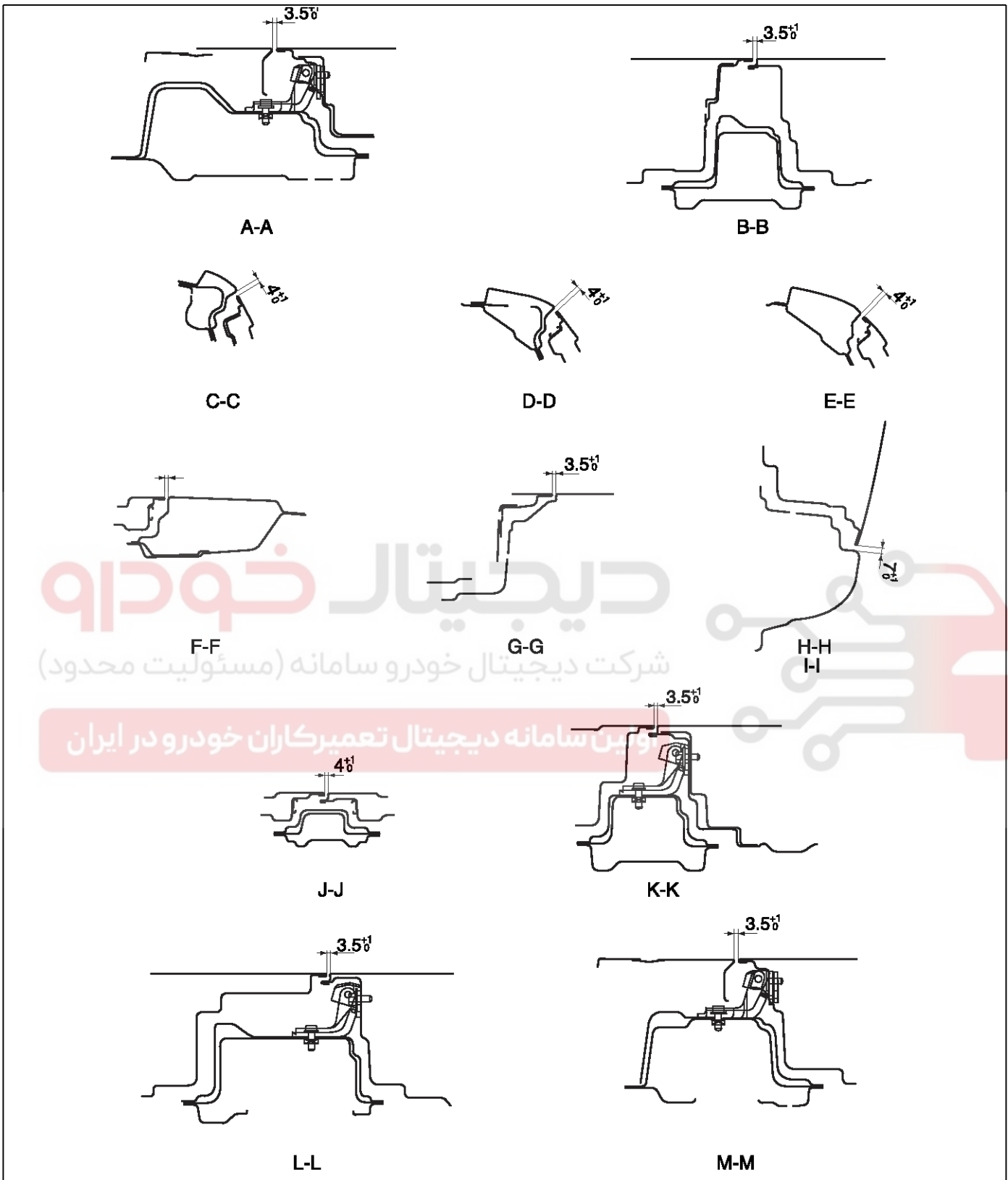


LSAC020A



BD-34

Body (Interior and Exterior)



دیجیتال خودرو  
شرکت دیجیتال خودرو سامانه (مسئولیت محدود)  
و بن سامانه دیجیتال تعمیرکاران خودرو در ایران

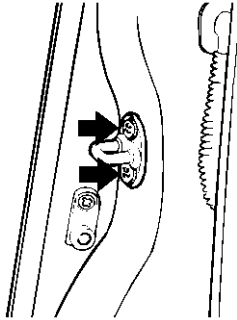
LSAC020B

## Exterior

## BD-35

### DOOR LOCK STRIKER

1. Check that the door can be closed easily. If there is a problem, loosen the striker install bolts and adjust the door by moving the strikerve rtically and horizontally.
2. Adjust the rear offset of the door to the body by moving the door lock striker horizontally.



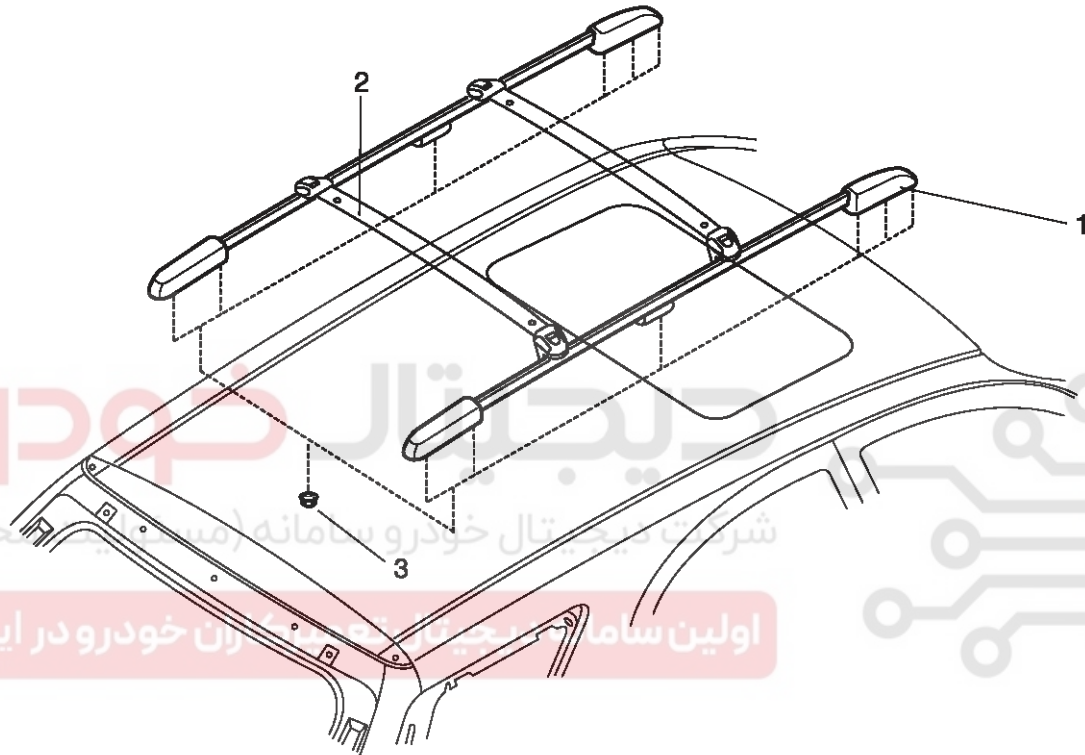
LSAC020C

# دیجیتال خودرو

شرکت دیجیتال خودرو سامانه (مسئولیت محدود)

اولین سامانه دیجیتال تعمیرکاران خودرو در ایران



**BD-36****Body (Interior and Exterior)****Body Side Moldings****COMPONENTS**

1. Roof rack assembly
2. Roof rack cross bar assembly
3. Flange nut

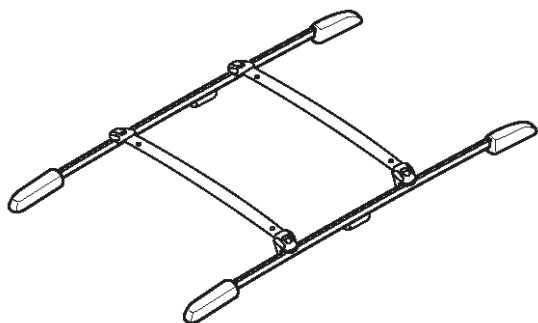
LSAC160A

## Exterior

## BD-37

### REMOVAL AND INSTALLATION

1. Remove flange nut (12).
2. Remove roof rack assembly.



LSAC170A

3. Install in reverse order of removal.

# دیجیتال خودرو

شرکت دیجیتال خودرو سامانه (مسئولیت محدود)

اولین سامانه دیجیتال تعمیرکاران خودرو در ایران



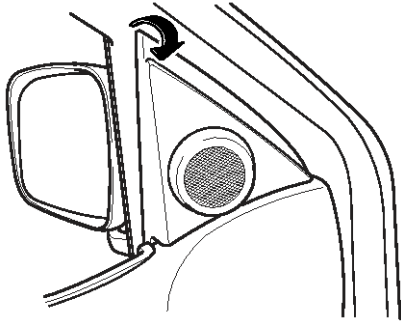
## BD-38

## Body (Interior and Exterior)

## Mirror

## REMOVAL AND INSTALLATION

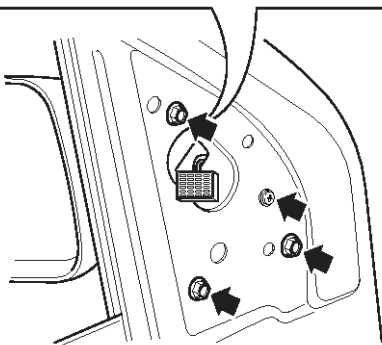
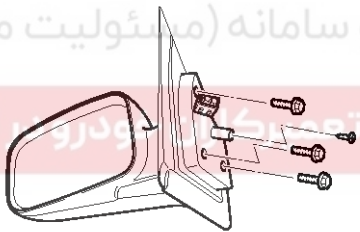
1. Disconnect negative battery cable.
2. Remove outside rearview mirror garnish.
  - 1) Remove garnish from door frame.



LSAC010B

- 2) Disconnect electrical connector.
3. Remove outside rearview mirror.
  - 1) Remove bolts(3) and clip(1).

Tightening torque : bolt  
5-7 N·m (0.5-0.7 kg·m, 4-5 lb·ft)



LSAC010N

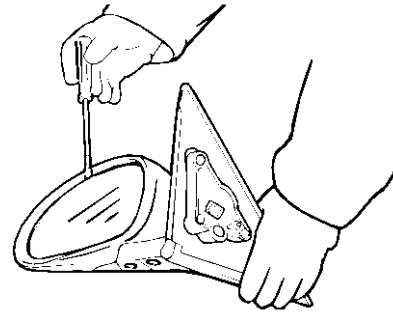
- 2) Disconnect electrical connector.

4. Remove mirror.

**⚠ CAUTION**

**Wear gloves to remove and install the mirror holder**

- 1) Insert flat bladed screwdriver between the outside rearview mirror holder and the mirror assembly.



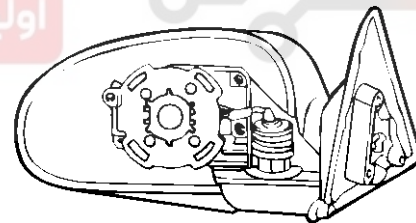
LSAC100A

5. Remove outside rearview mirror actuator.

**⚠ CAUTION**

**When prying with a flat bladed screwdriver, wrap it with a shop towel to prevent damage.**

- 1) Remove the outside rearview mirror actuator from the outside rearview mirror housing.



LSAC100B

6. Install in reverse order of removal.

# Interior

BD-39

Interior

Console

COMPONENTS

# دیجیتال خودرو

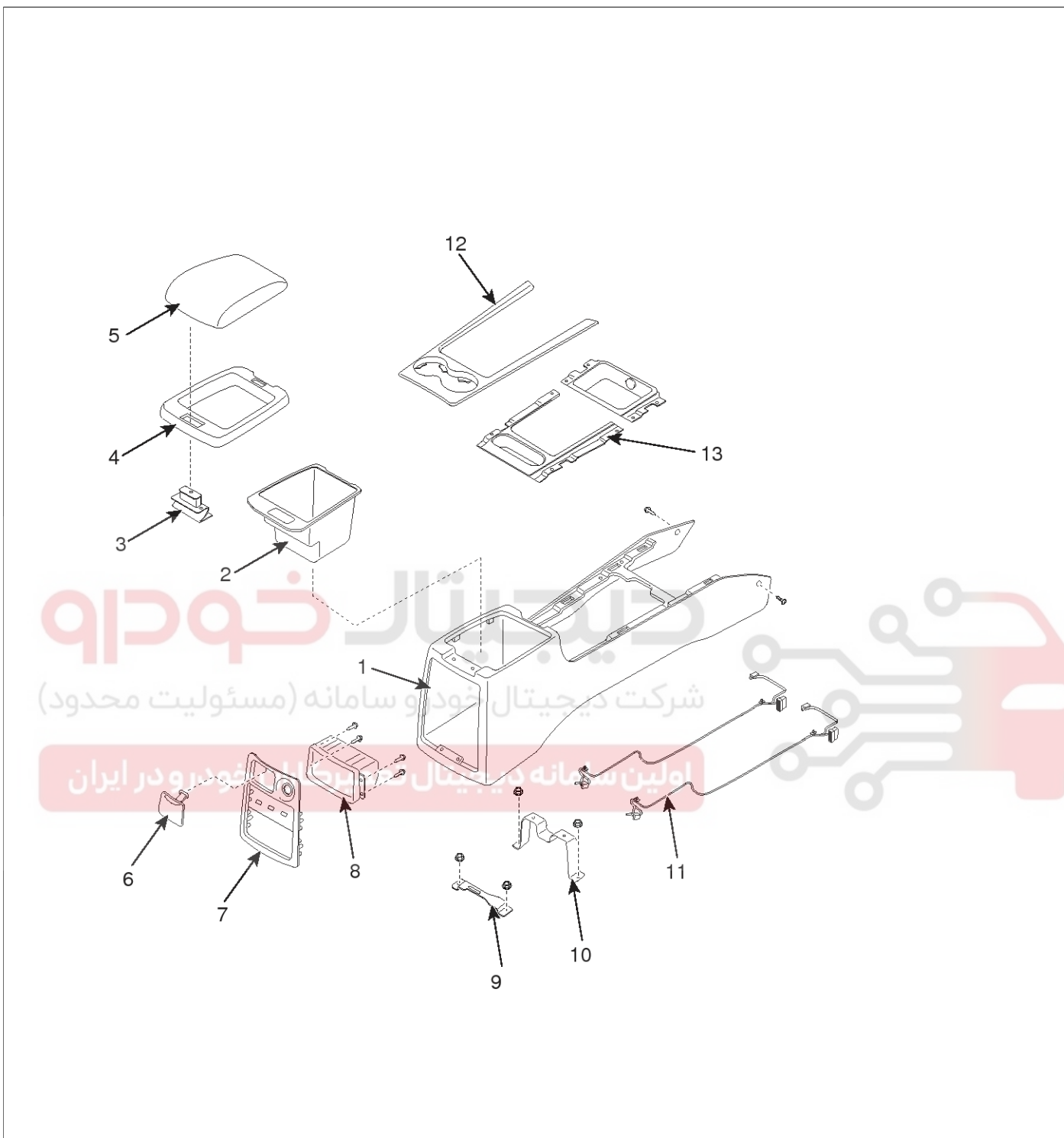
شرکت دیجیتال خودرو سامانه (مسئولیت محدود)

اولین سامانه دیجیتال تعمیرکاران خودرو در ایران



BD-40

Body (Interior and Exterior)



- 1. console
- 2. storage box
- 3. console armrest hinge
- 4. lower armrest

- 5. armrest
- 6. ashtray
- 7. console lid cover
- 8. console rear cup holder

- 9. console rear bracket
- 10. console center bracket
- 11. console wiring harness
- 12. deco upper panel
- 13. console upper cover

SBLBD6029L

# Interior

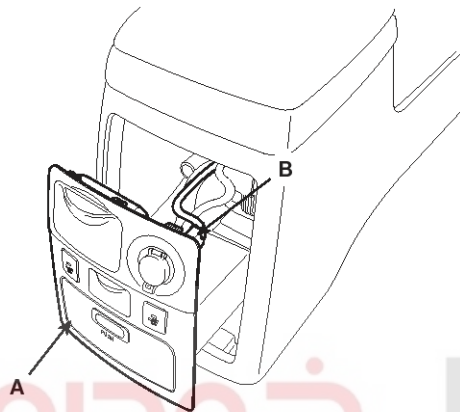
# BD-41

## REPLACEMENT FLOOR CONSOLE REPLACEMENT

### NOTICE

- When prying with a flat-tipped screwdriver, wrap it with protective tape, and apply protective tape around the related parts, to prevent damaged.
- Put on gloves to protect your hands.

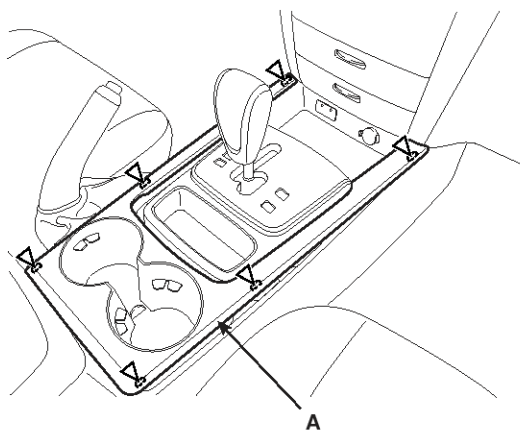
1. Remove the console lid cover (A).
2. Disconnect the connector (B).



SBLBD6001D

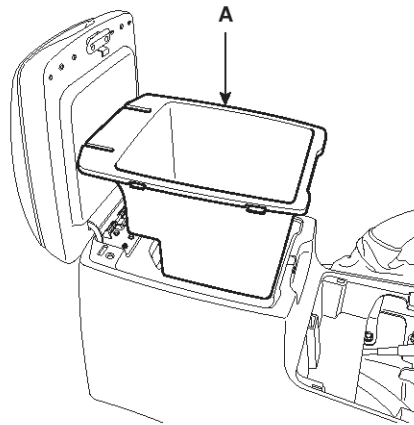
3. Remove the deco upper panel (A).

▷ : Clip Locations, 6



SBLBD6002L

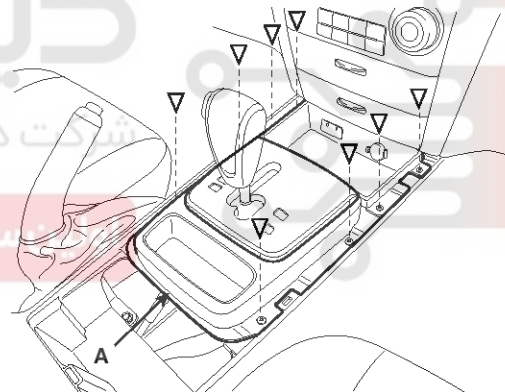
4. Remove the console storage box (A).



SBLBD6003D

5. Remove the console upper cover (A).

▷ : Screw Locations, 8



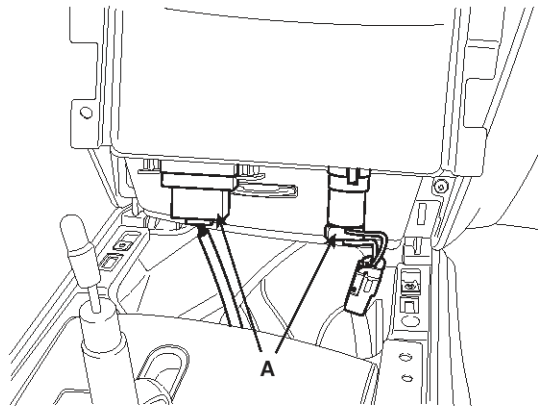
SBLBD6004L



# BD-42

# Body (Interior and Exterior)

6. Disconnect the connector (A).

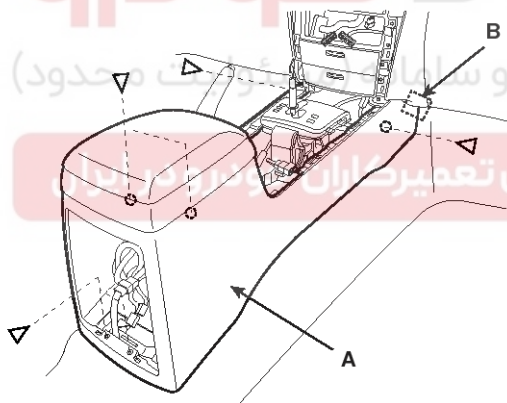


SBLBD6005D

7. After loosening the console mounting screw, remove the floor console side cover (A).

8. Disconnect the connector (B).

▷ : Screw Locations, 6

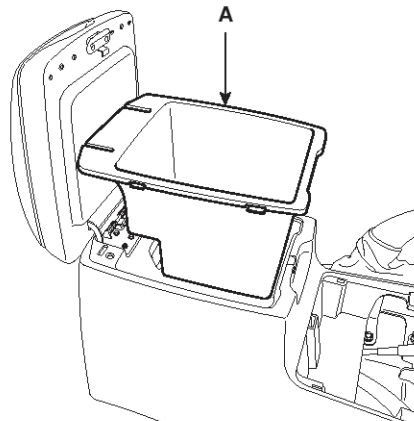


SBLBD6006L

9. Installation is the reverse of removal.

## ARMREST REPLACEMENT

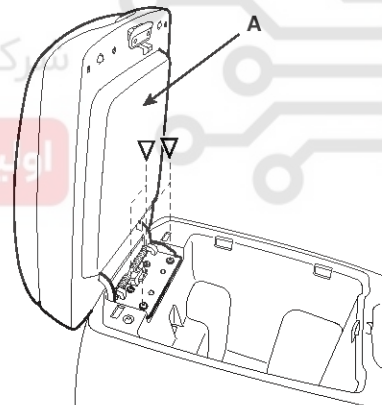
1. Remove the console storage box (A).



SBLBD6003D

2. After loosening the armrest mounting nuts, remove the armrest (A).

▷ : Screw Locations, 4



SBLBD6007L

3. Installation is the reverse of removal.

# Interior

BD-43

Crash Pad

COMPONENTS

# دیجیتال خودرو

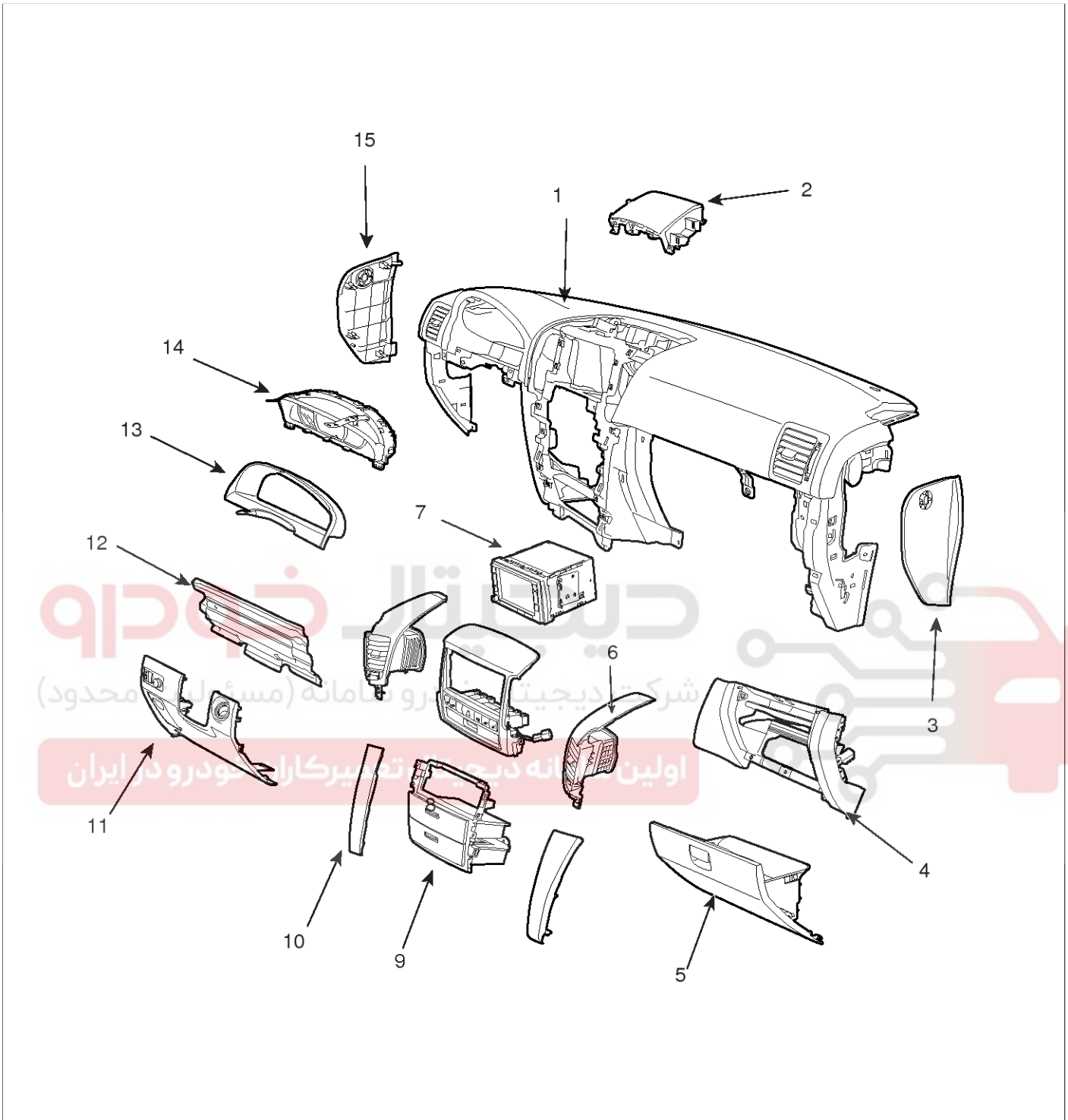
شرکت دیجیتال خودرو سامانه (مسئولیت محدود)

اولین سامانه دیجیتال تعمیرکاران خودرو در ایران



BD-44

Body (Interior and Exterior)



- 1. Crash pad
- 2. Center fascia upper panel
- 3. Crash pad side cover
- 4. Glove box housing
- 5. glove box

- 6. Air vent
- 7. Audio
- 8. Center fascia panel
- 9. Center fascia lower panel
- 10. Side panel

- 11. Crash pad lower panel
- 12. Reingorcing panel
- 13. Cluster fascia panel
- 14. Cluster
- 15. Crash pad side cover

SBLBD6091L

# Interior

# BD-45

## REPLACEMENT CLUSTER REPLACEMENT

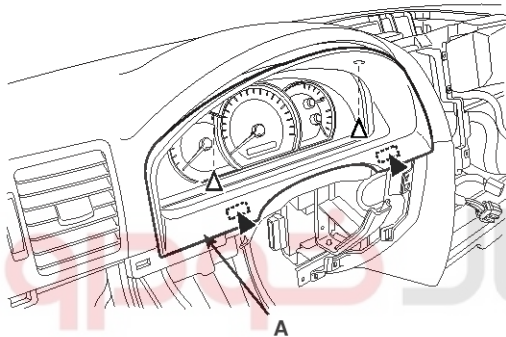
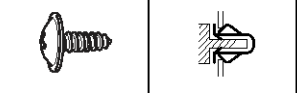
### NOTICE

- When prying with a flat-tipped screwdriver, wrap it with protective tape, and apply protective tape around the related parts, to prevent damaged.
- Put on gloves to protect your hands.

1. Tilt the steering column down.
2. Remove the cluster fascia panel (A).

### Fastener Locations

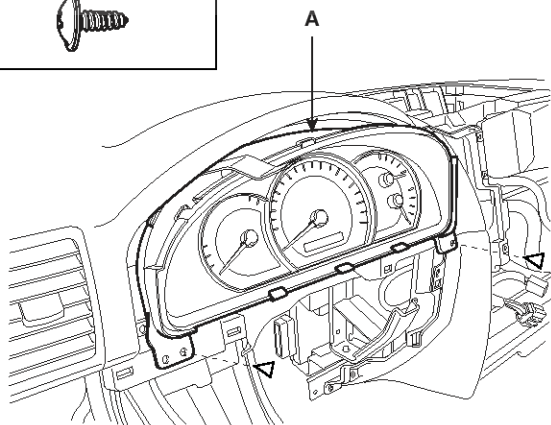
▷ : Screw, 2    ▶ : Clip, 2



SBLBD6008L

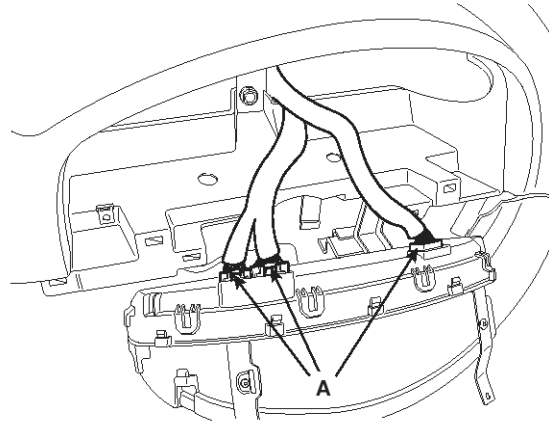
3. Loosen the screws.
4. Remove the cluster (A).

▷ : Screw Locations, 2



SBLBD6009L

5. Disconnect the cluster connector (A), then remove the cluster (B).



SBLBD6010D

6. Installation is the reverse of removal.

### NOTICE

- Make sure the connector are plugged in properly.

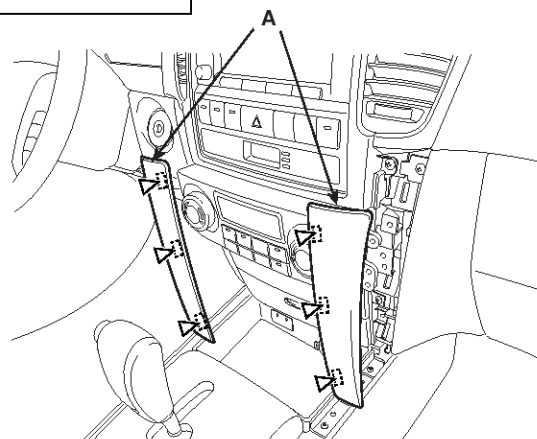
## CENTER FASCIA PANEL REPLACEMENT

### NOTICE

- When prying with a flat-tipped screwdriver, wrap it with protective tape, and apply protective tape around the related parts, to prevent damaged.
- Put on gloves to protect your hands.

1. Remove the side garnish (A).

▷ : Clip Locations, 6



SBLBD6011L

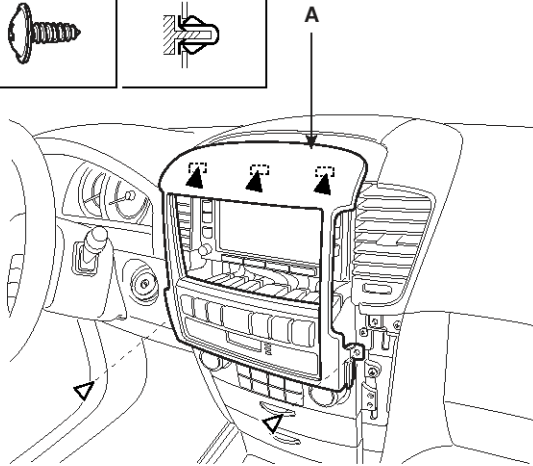
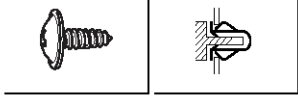
# BD-46

# Body (Interior and Exterior)

2. After loosening the mounting screw, remove the center fascia panel (A).

**Fastener Locations**

▷ : Screw, 2    ▶ : Clip, 3



SBLBD6012L

3. Installation is the reverse of removal.

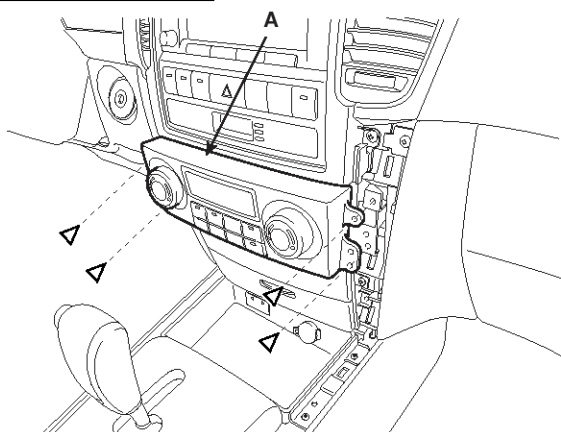
**NOTICE**

- Make sure the connector are plugged in properly.

**HEATER CONTROL UNIT REPLACEMENT**

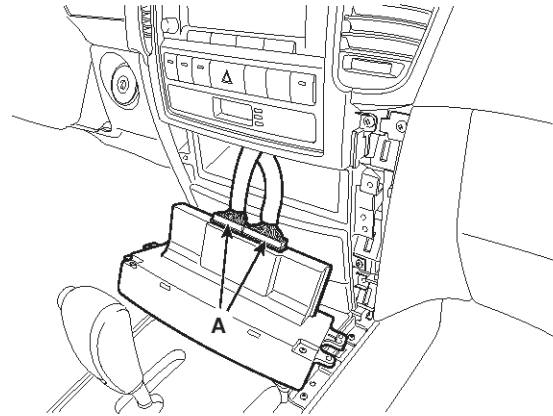
1. Remove the side garnish.
2. After loosening the heater control mounting screw, remove the heater control unit (A).

▷ : Screw Locations, 4



SBLBD6016L

3. Disconnect the connector (A).



SBLBD6017D

4. Installation is the reverse of removal.

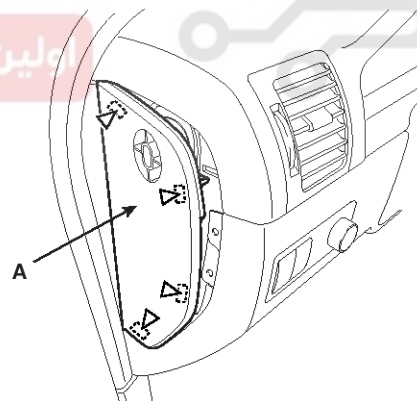
**NOTICE**

- Make sure the connector is plugged in properly.

**LOWER PANEL REPLACEMENT**

1. Remove the crash pad side cover (A).

▷ : Clip Locations, 4



SBLBD6013L

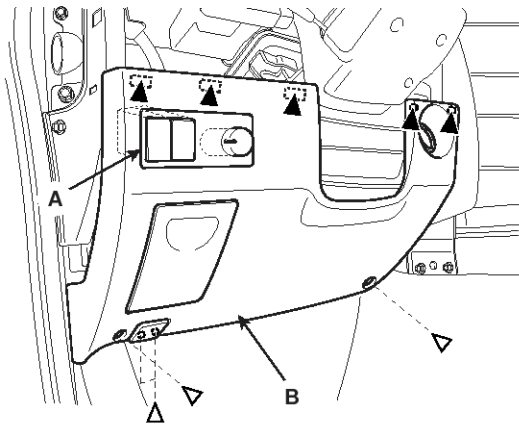
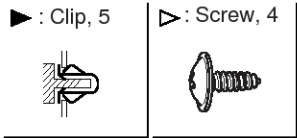
2. Loosen the mounting screw, remove the lower panel (B).

# Interior

# BD-47

3. Disconnect the connector (A).

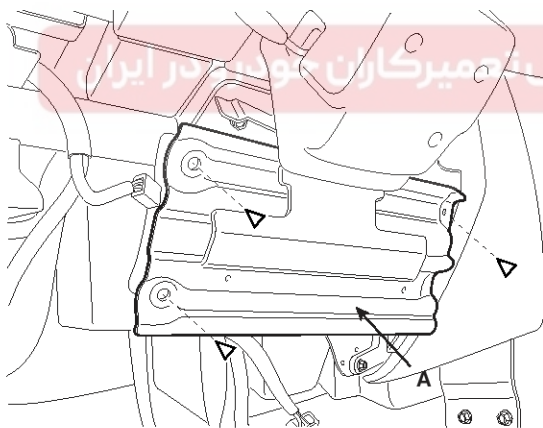
**Fastener Locations**



SBLBD6014L

4. Remove the reinforcing panel (A).

▷ : Bolt Locations, 3



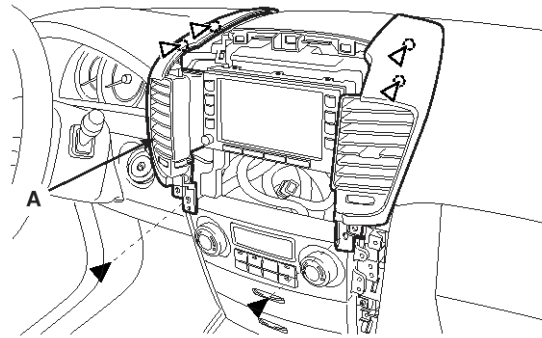
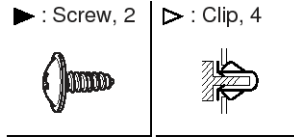
SBLBD6015L

5. Installation is the reverse of removal.

## AUDIO ASSEMBLY REPLACEMENT

1. Remove the center fascia panel
2. Remove the center air vent(A).

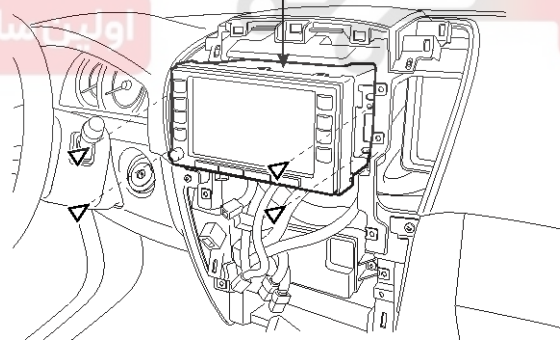
**Fastener Locations**



SBLBD6018L

3. Loosen the screws.
4. Remove the audio assembly (A).

▷ : Screw Locations, 4



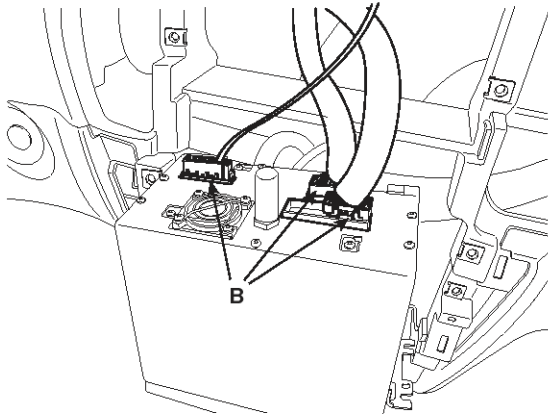
SBLBD6019L



# BD-48

# Body (Interior and Exterior)

5. Disconnect the connector (B).



SBLBD6020D

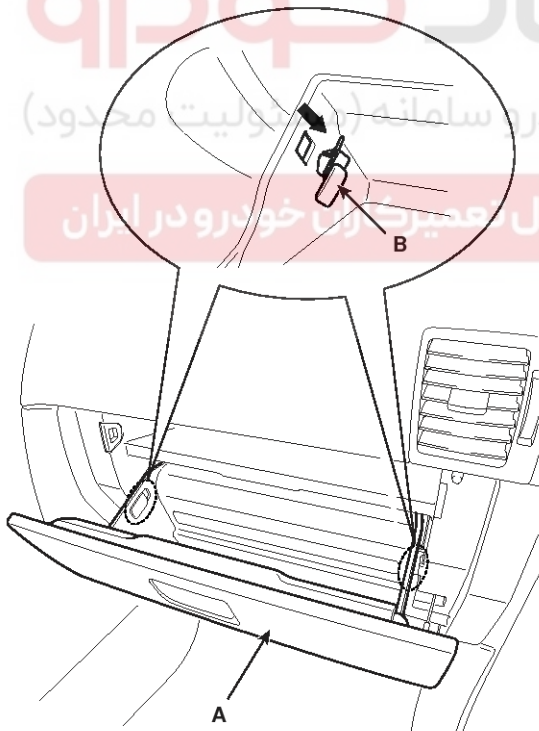
6. Installation is the reverse of removal.

**NOTICE**

- Make sure the connector are plugged in properly.

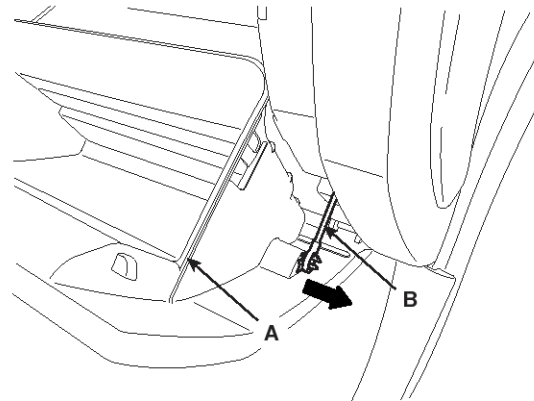
**GLOVE BOX REPLACEMENT**

1. Disconnect the damper (B) from the glove box (A).



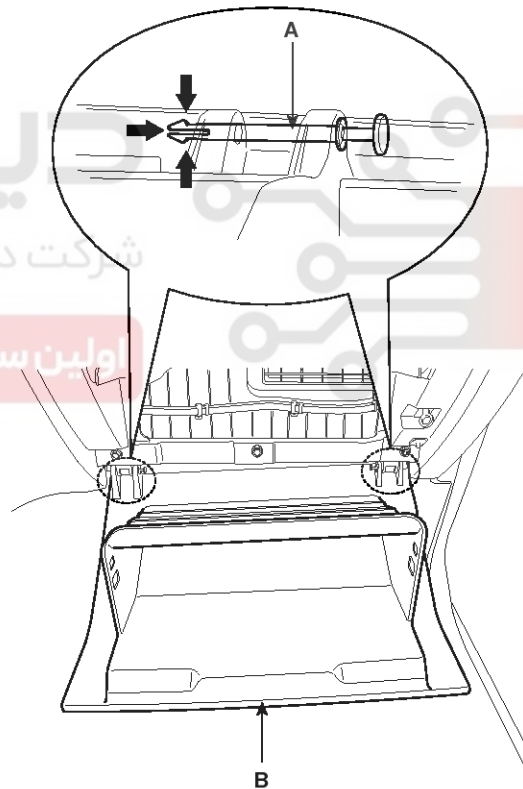
SBLBD6021D

2. Remove the glove box (A) from the lift (B).



SBLBD6022D

3. Disconnect the pine (A), then remove the glove box (C).



SBLBD6023D

# Interior

# BD-49

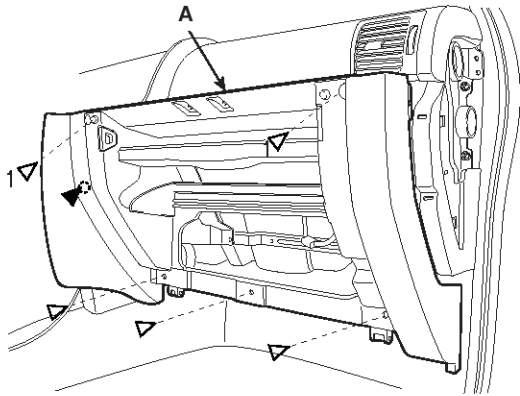
4. Remove the glove box housing (A).

**Fastener Locations**

▷ : Bolt, 3

▷ : Clip, 1

▷ : Screw, 2

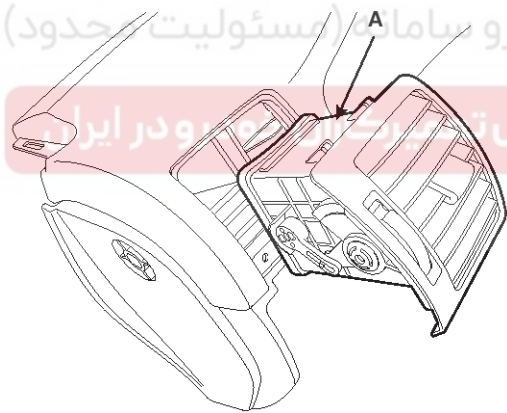


SBLBD6024L

5. Installation is the reverse of removal.

**AIR VENT REPLACEMENT**

1. After loosening the mounting screw, then remove the air vent (A).



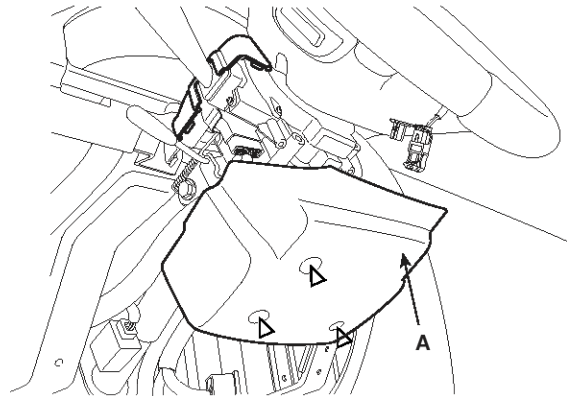
SBLBD6025D

2. Installation is the reverse of removal.

**SHROUD REPLACEMENT**

1. Loosen the screws, then remove the shroud assembly (A).

▷ : Screw Locations, 3



SBLBD6026L

2. Installation is the reverse of removal.



## BD-50

## Body (Interior and Exterior)

## CRASH PAD REPLACEMENT

**NOTICE**

- When prying with a flat-tipped screwdriver, wrap it with protective tape, and apply protective tape around the related parts, to prevent damaged.

- Put on gloves to protect your hands.

1. Remove the following items.

- Front seat.
- Cluster facia panel and cluster.
- Audio assembly.
- Glove box.
- Lower panel.
- Front pillar trim.

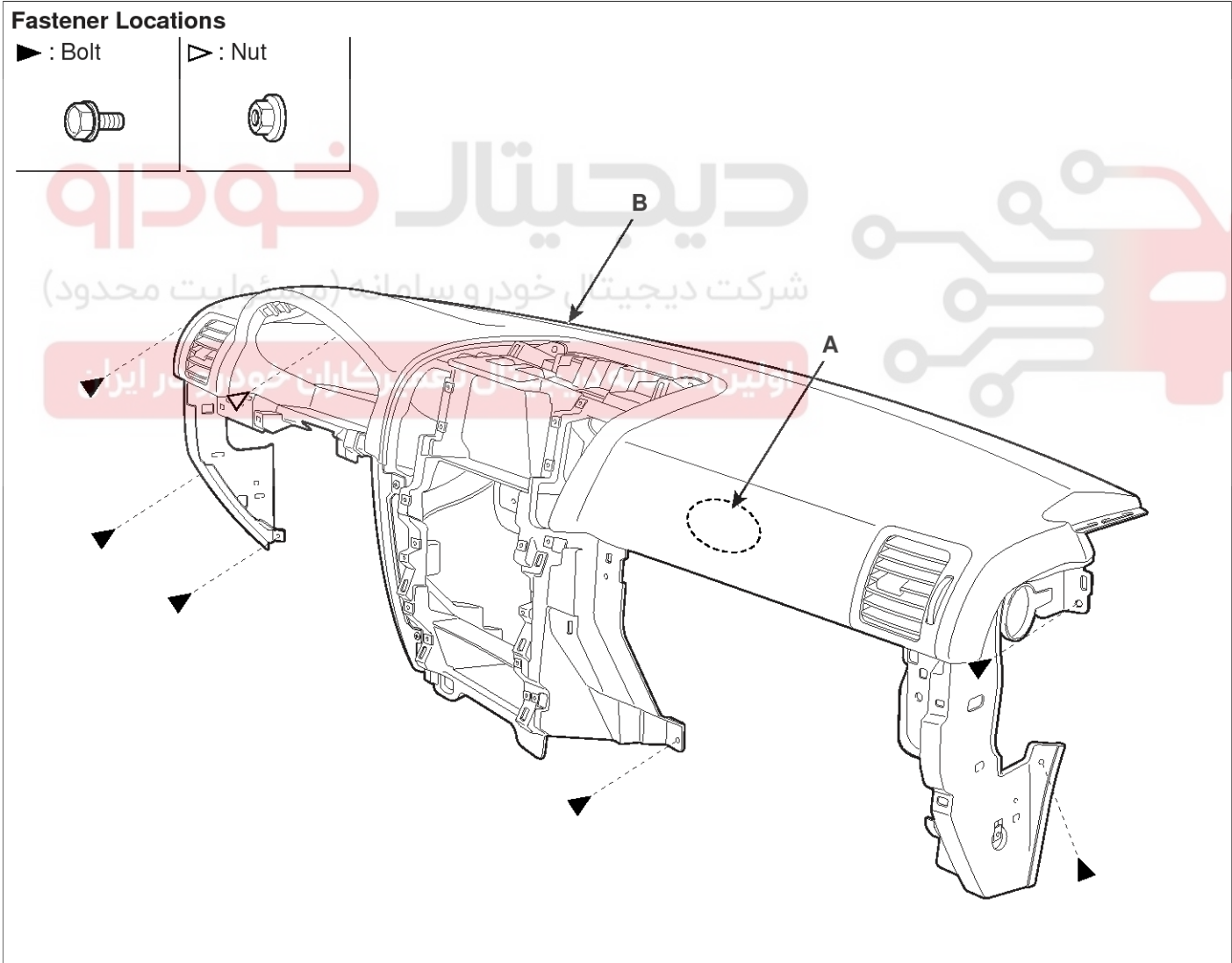
2. Remove the photo sensor.

3. Disconnect the passenger's air bag connector (A). Loosen the bolt and nut, then remove the crash pad (B).

4. Installation is the reverse of removal.

**NOTICE**

- Make sure the crash pad fits onto the guide pins correctly.
- Before tightening the bolts, make sure the crash pad wire harnesses are not pinched.
- Make sure the connectors are plugged in properly, and the antenna lead is connected properly.
- Enter the anti-theft code for the radio, then enter the customer's radio station presets.



SBLBD6027L

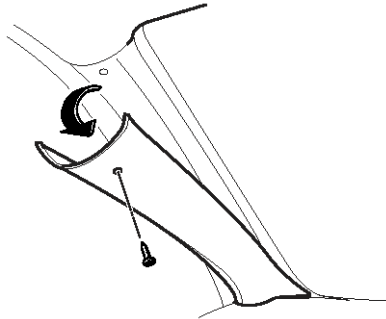
# Interior

# BD-51

## Interior Trim

### REMOVAL AND INSTALLATION FRONT PILLAR TRIM

1. Remove front pillar trim.

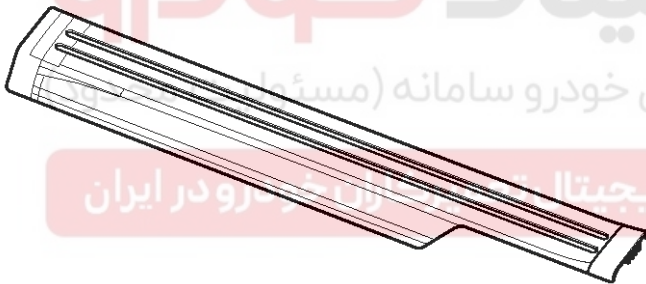


BSAD090A

- 1) Remove screw(1) and cover.
- 2) Remove front pillar trim.

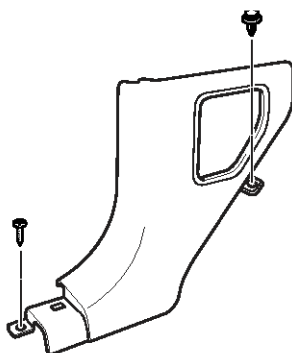
### COWL SIDE TRIM

1. Remove cowl side trim.
  - 1) Remove front door scuff trim.



LSAC090B

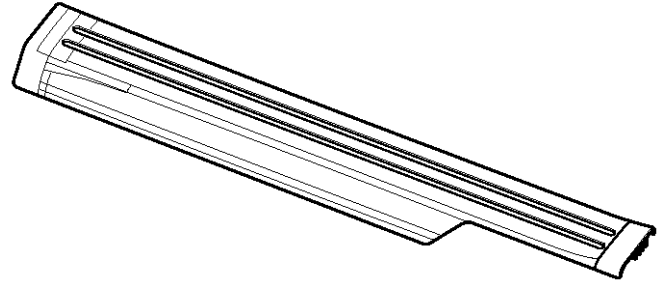
- 2) Remove cowl side trim fastener and screw.



LSAC090C

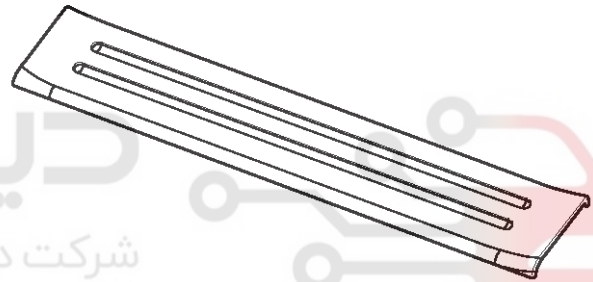
### CENTER PILLAR TRIM

1. Remove center pillar lower trim.
  - 1) Remove front door scuff trim.



LSAC090B

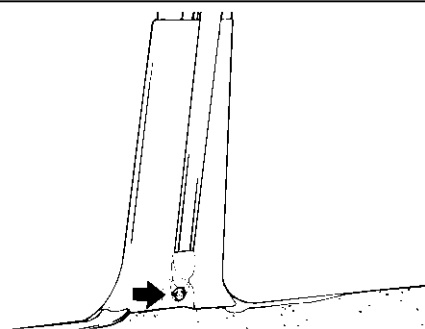
- 2) Remove rear door scuff trim.



LSAC110A

- 3) Remove seat belt lower anchor bolt (1).

Tightening torque :  
40-55 N·m (4.0-5.5 kg·m, 29-40 lb·ft)

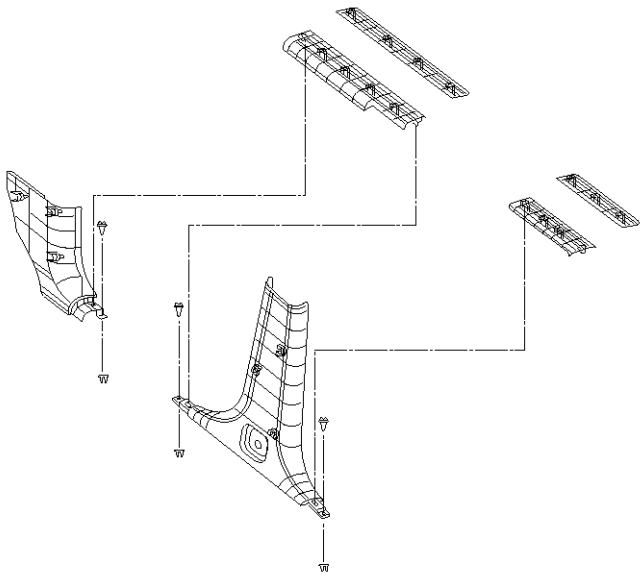


LSAC110I

# BD-52

# Body (Interior and Exterior)

4) Remove center pillar lower trim screws (2).



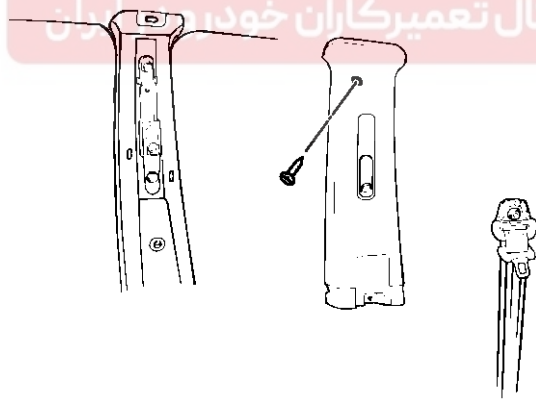
LSAC110B

2. Remove center pillar upper trim.

1) Remove seat belt upper anchor bolt (1).

Tightening torque :

40-55 N·m (4.0-5.5 kg·m, 29-40 lb·ft)

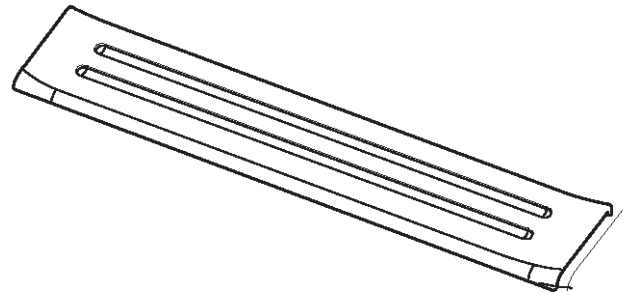


BSAD110J

2) Remove B pillar upper trim screws (2) and cover.

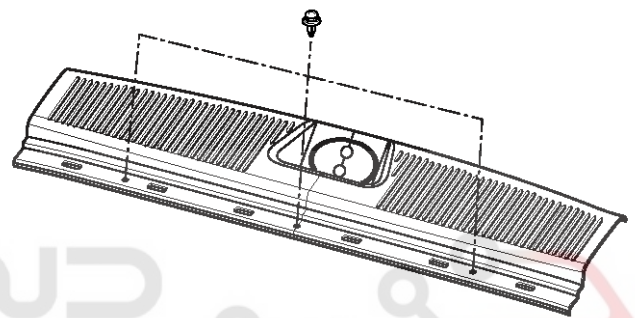
## REAR SIDE TRIM

1. Remove rear door scuff trim.



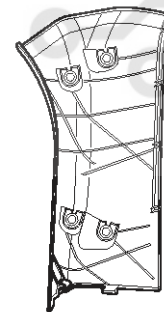
LSAC110C

2. Remove transverse trim.



BSAD110D

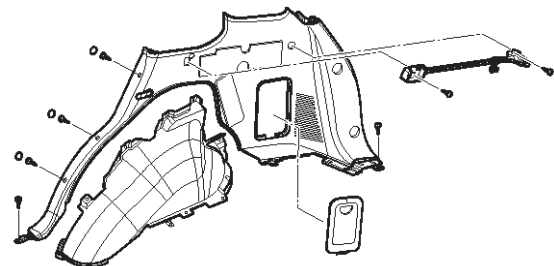
3. Remove D pillar trim.



LSAC110E

4. Remove hanger net.

5. Remove rear side trim.



LSAC110F

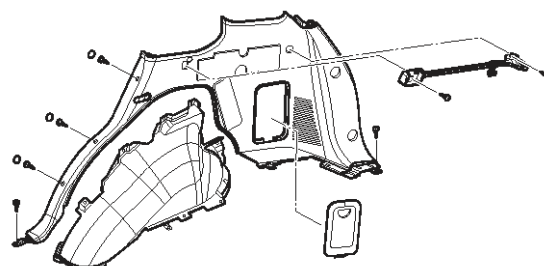
# Interior

# BD-53

- 1) Remove rear side trim screws (5).
- 2) Remove rear package side garnish screws (2).
- 3) Remove rear package side garnish.
- 4) Disconnect electrical connector.

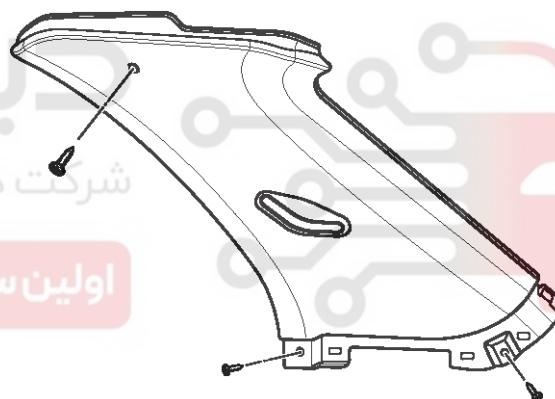
## C PILLAR TRIM

1. Remove seat belt lower anchor bolt (1).
2. Remove rear side trim.



LSAC110F

3. Remove C pillar trim.
  - 1) Remove seat belt anchor bolt (1)
  - 2) Remove C pillar trim screws (3) and cover.
  - 3) Remove seat belt cover.



BSAD110G

دیجیتال خودرو  
شرکت دیجیتال خودرو سامانه (مسئولیت محدود)

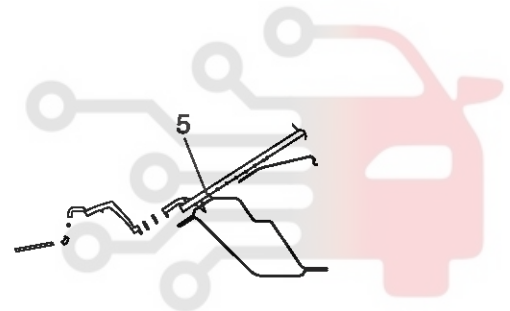
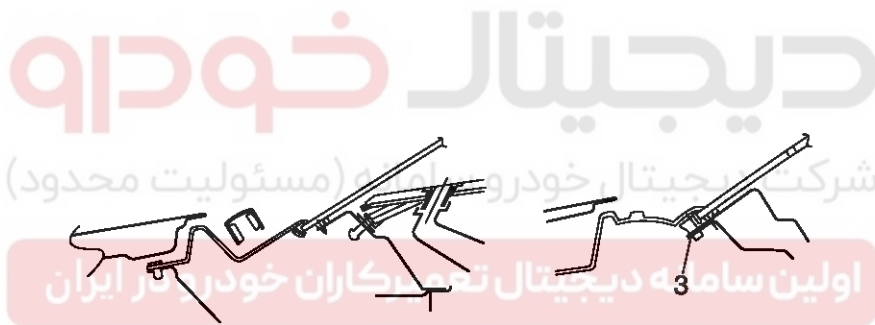
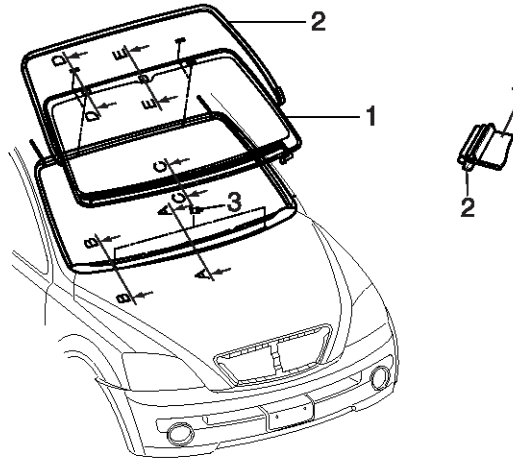
اولین سامانه دیجیتال تعمیرکاران خودرو در ایران

**BD-54**

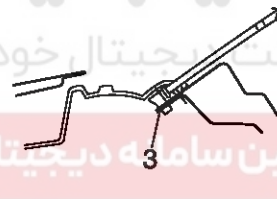
**Body (Interior and Exterior)**

**Windshield Glass**

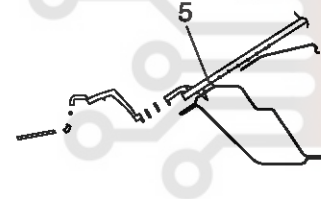
**COMPONENTS**



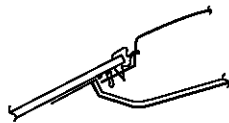
A-A



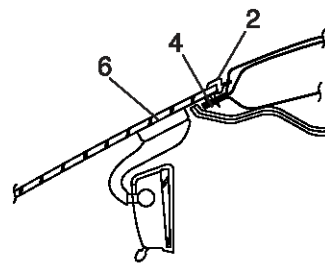
B-B



C-C



D-D



E-E

- 1. Windshield glass
- 2. Glass molding
- 3. Windshield glass spacer

- 4. Windshield glass spacer
- 5. Windshield glass dam
- 6. Inside rearview mirror base

LSAC230A

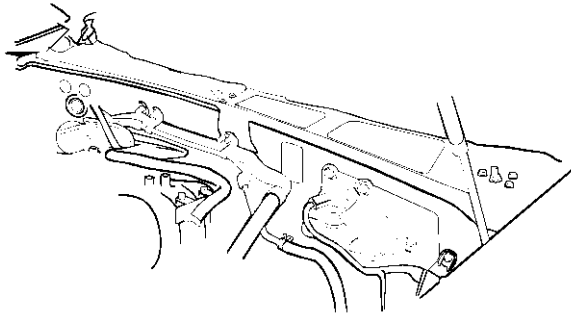
# Interior

# BD-55

## REMOVAL

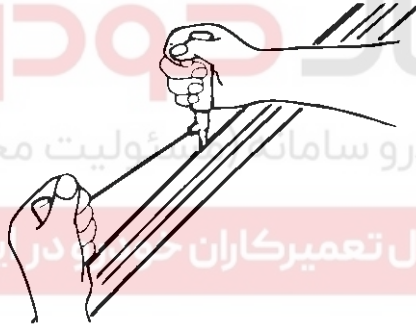
1. To remove the windshield, first remove the following parts :

- 1) Front pillar trims
- 2) Inside rear view mirror
- 3) Wiper arms
- 4) Cowl top cover
- 5) Windshield glass molding



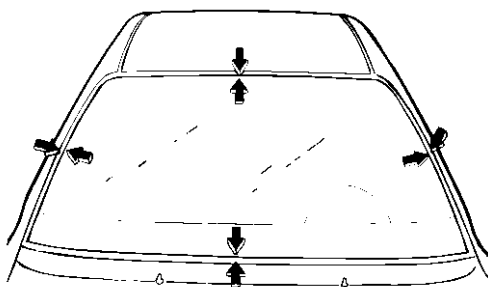
LSAC240A

2. Use the knife to cut through the sealant.



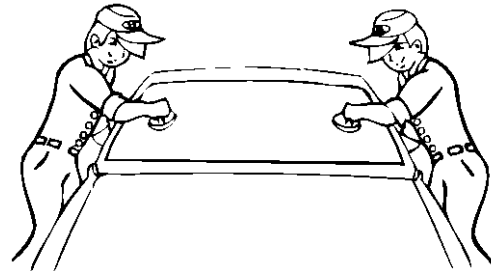
LSAC240B

3. Make mating marks on the glass and body if the glass is to be reinstalled.



LSAC240C

4. Take out the windshield glass with the Glass Holder.



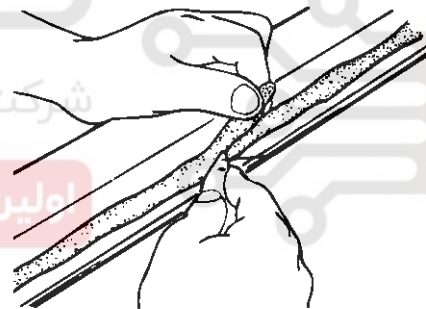
LSAC240D

## INSTALLATION

1. Using a cutter knife scrape the old sealant smoothly to a thickness of about 2 mm (0.08 in.) on the bonding surface around the entire windshield flange.

### ⚠ CAUTION

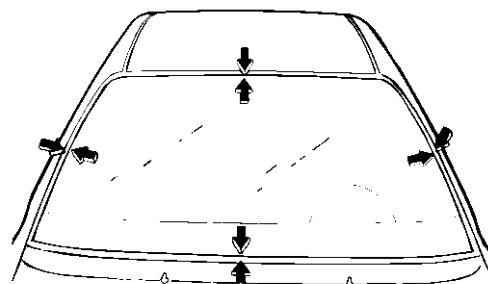
Be careful not to remove more adhesive than necessary, and also not to damage the paintwork on the body surface with the knife. If the paintwork is damaged, repair the damaged area with touch-up paint.



LSAC250A

2. Clean the body bonding surface with a sponge dampened in alcohol or wax and grease remover.

3. Center a new windshield glass in the opening. Mark the location by marking lines across the glass and body with a grease pencil at the four points as shown.

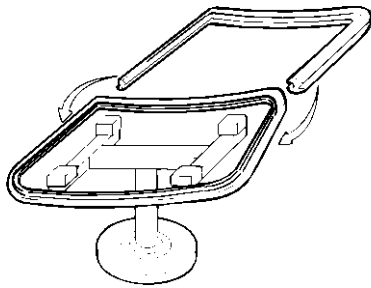


LSAC240C

**BD-56**

**Body (Interior and Exterior)**

4. Install the windshield glass molding without any gaps.

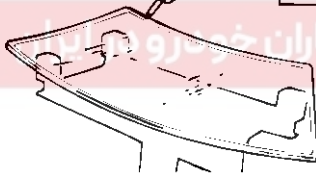
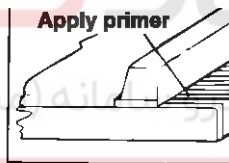


LSAC250C

5. Apply a light coat of glass primer to the outside of the dam.

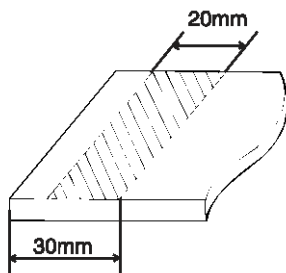
**NOTICE**

- Never touch the surface applied primer with your hand. If you do, the adhesive may not bond to the glass properly, causing a leak after the windshield glass is installed.
- Do not apply body primer to the glass.
- Keep water, dust, and abrasive materials away from the surface applied primer.



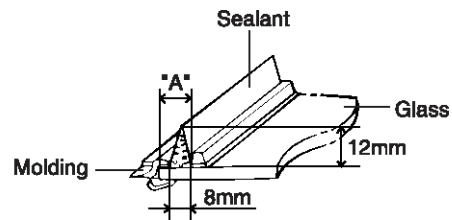
LSAC250D

6. Apply a primer to the lower glass as shown.



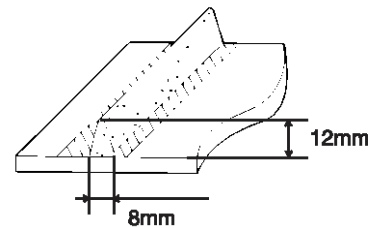
LSAC250E

7. Apply a sealant around the edge of the glass.



**UPPER AND SIDE**

LSAC250F



**LOWER**

LSAC250G

**NOTICE**

Apply the adhesive within 5 minutes after applying the primer to the glass.

8. Apply a light coat of body primer to the original sealant remaining around the window opening flange. The glass should be installed within 5 minutes after you apply the primer.



LSAC250H

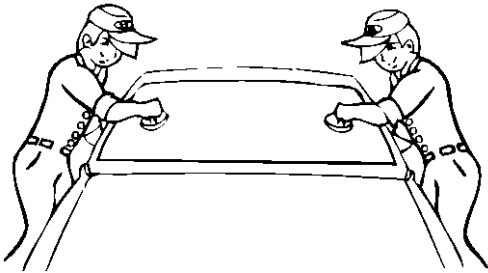
9. Using suction cups or the special tool, lower the glass over the opening, align it with the marks made in step 3 and set it down on the sealant.



## Interior

## BD-57

10. Scrape or wipe excess adhesive off with a putty knife or gauze. Fill all cavities around the windshield glass.



LSAC240D

11. Perform a water-leak test for the windshield. Use a cold water spray, being careful not to direct a powerful stream of water on the new adhesivematerial. Allow water to spill over the edges of the glass.
12. If there are leaks, dry the affected area, then apply sealant.



LSAC250I

13. Install the removed parts.

### ⚠ CAUTION

- Keep the windshield dry for the first hour after installation.
- Let the car stand for at least four hours after windshield installation. If the car has to be used within the first 8 hours, it must be driven slowly.
- Take care not to slam the doors with all the windows rolled up.
- Take care not to twist the vehicle excessively (such as when going in and out of driveways at an angle or driving over rough, uneven roads.)



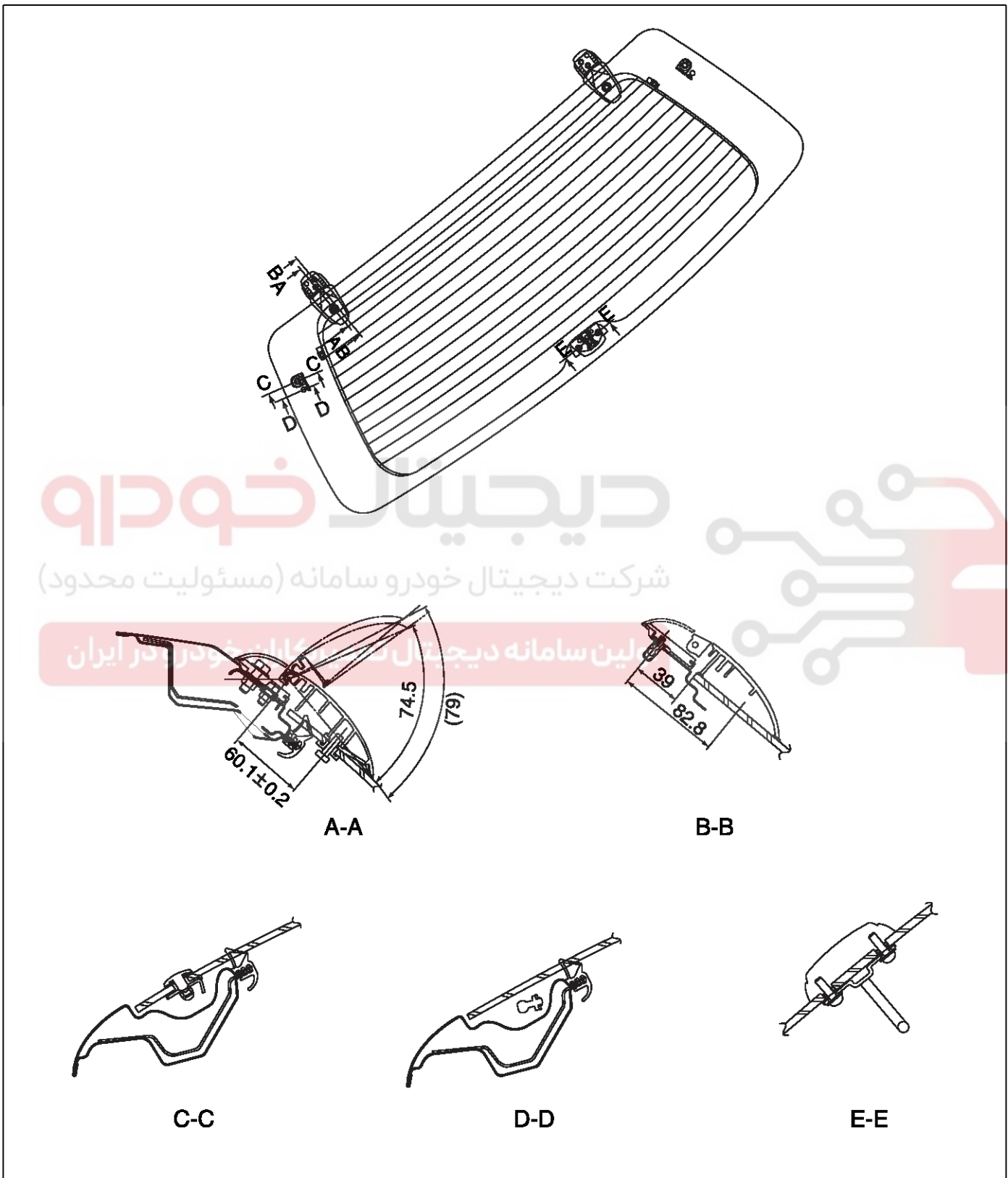


# BD-58

# Body (Interior and Exterior)

## Tailgate Glass

### COMPONENTS



LSAC260A

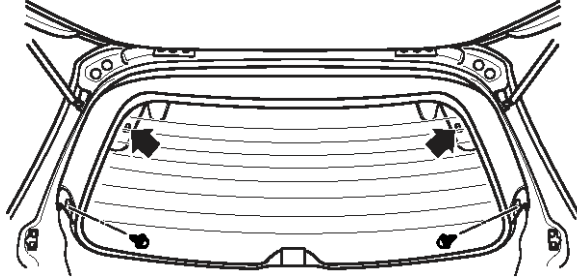
# Interior

# BD-59

## REMOVAL AND INSTALLATION

### 1. Remove Tailgate upper trim.

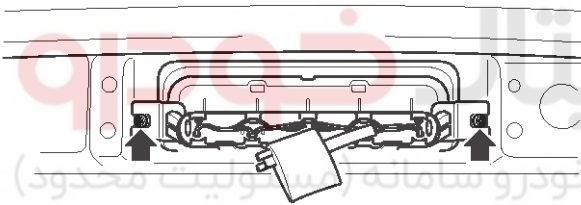
- 1) Disconnect rear window defroster connector.
- 2) Remove upper trim fastener.



LSAC050A

### 2. Remove high-mounted brake light.

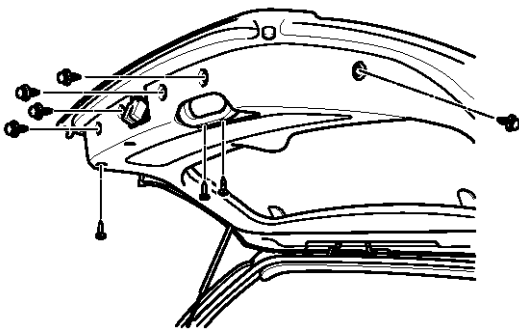
- 1) Disconnect electrical connector.
- 2) Remove high-mounted brake light screw (2).



LSAC050B

### 3. Remove tailgate trim.

- 1) Remove tailgate fasteners (6) and screws (1).



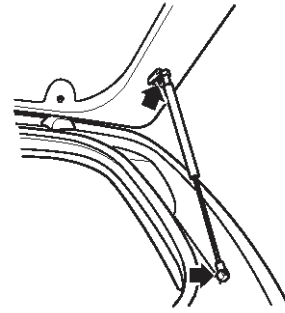
LSAC050C

- 2) Remove inner assist handle screws (2).

### 4. Remove tailgate screen.

### 5. Remove tailgate glass lifter.

- 1) After pulling out lifter clip with (-) screwdriver, extract lifter.



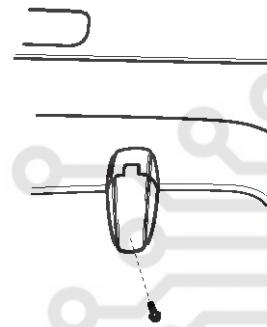
LSAC050I

### 6. Remove tailgate glass.

- 1) Remove tailgate glass hinge bolt (1).

Tightening torque :

7-9 N·m (0.7-0.9 kg·m, 5-7 lb·ft)



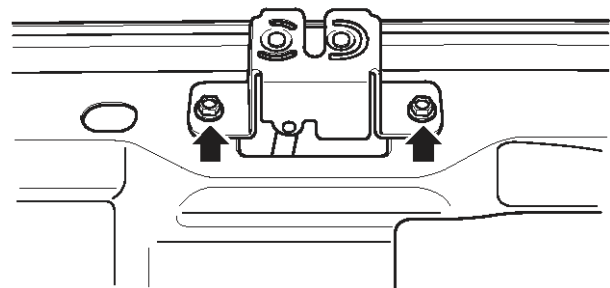
LSAC050J

### 7. Remove tailgate glass latch assembly.

- 1) Remove tailgate glass latch bolt (2).

Tightening torque :

7-11 N·m (0.7-1.1 kg·m, 5-8 lb·ft)



LSAC050L

### 8. Install in reverse order of removal.

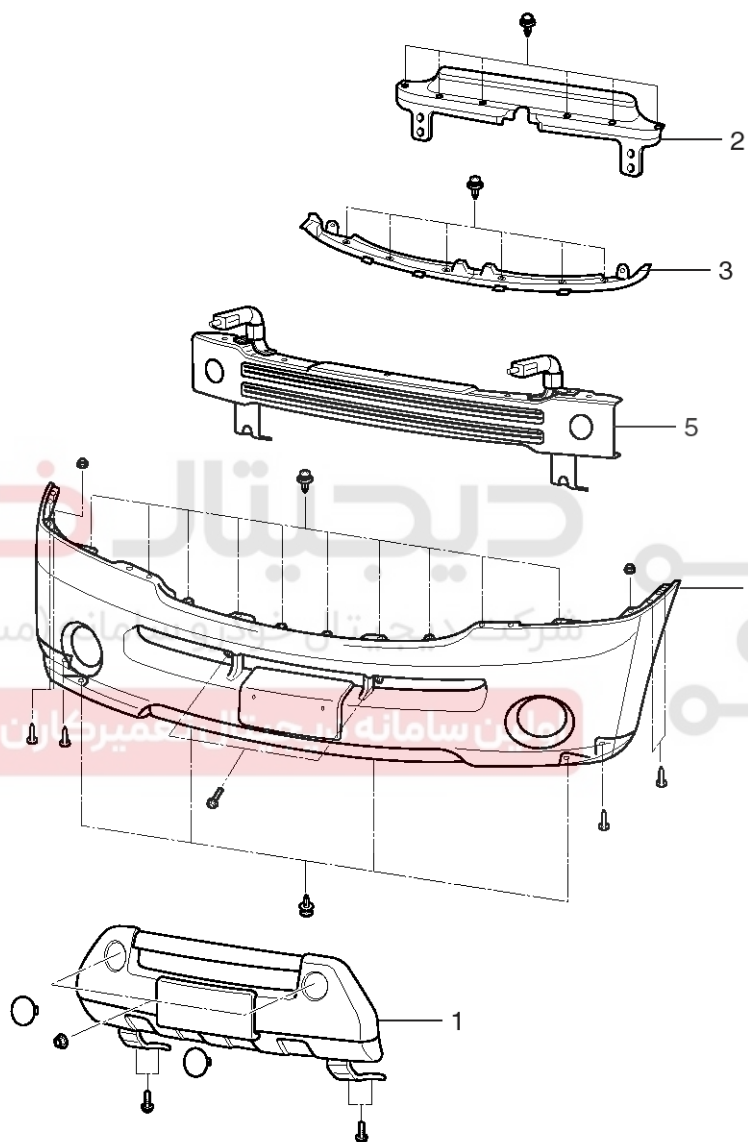
# BD-60

# Body (Interior and Exterior)

## Bumper

### Front Bumper

#### COMPONENTS



- 1. Bumper guard
- 2. Seal board
- 3. Bumper upper cover

- 4. Bumper face
- 5. Bumper reinforcement cross member

BSAD280A

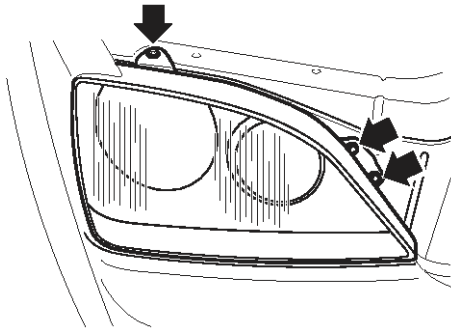
# Bumper

# BD-61

## REMOVAL AND INSTALLATION

### 1. Remove headlight/combination light.

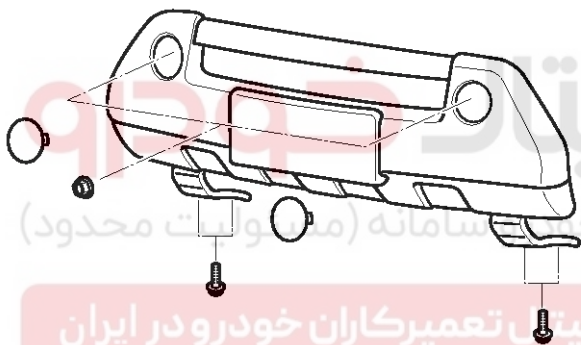
- 1) Remove headlight/combination light bolts (3).



LSAC290A

- 2) Remove headlight/combination light bulb and socket.

### 2. Remove bumper guard.

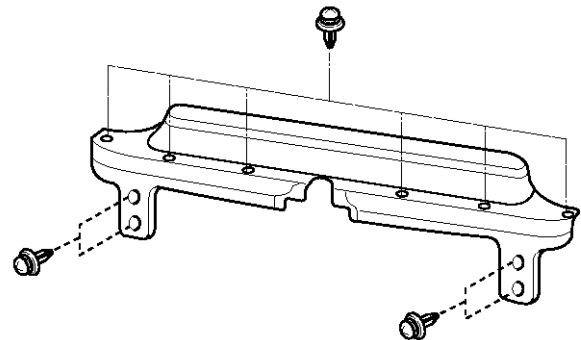


BSAD290A

- 1) Remove bumper guard nuts (2) and bolts (4).
- 2) Remove bumper guard.

### 3. Remove bumper seal board.

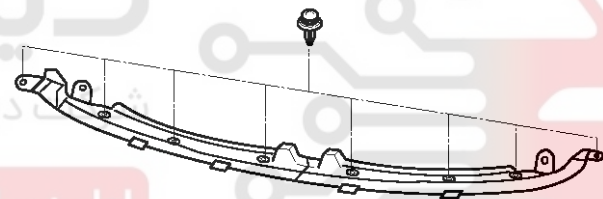
- 1) Remove bumper seal board fasteners (10).



BSAD290B

### 4. Remove bumper upper cover.

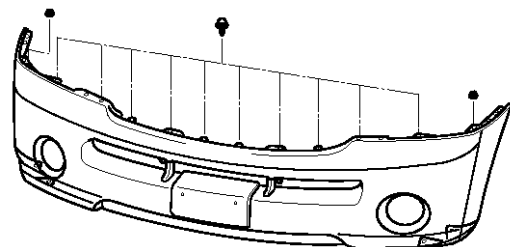
- 1) Remove headlight washer nozzle cover.
- 2) Remove bumper upper cover fasteners (8).



LSAC290C

### 5. Remove bumper face.

- 1) Remove bumper face fasteners (10) and nuts (2) from top of bumper face.

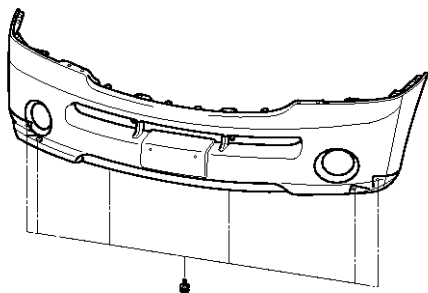


LSAC290D

## BD-62

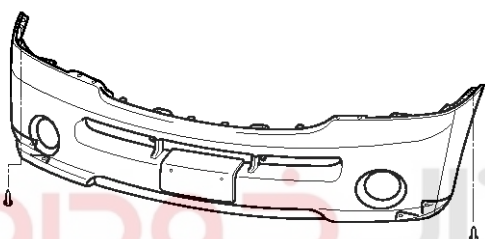
## Body (Interior and Exterior)

- 2) Remove bumper face fasteners (6) from bottom of bumper face.



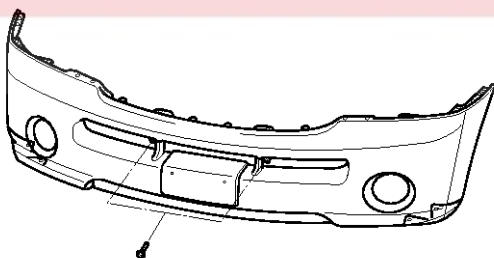
LSAC290E

- 3) Remove bumper face screws (2) from side of bumper face.



LSAC290F

- 4) Remove bumper mounting bolt (2) from front of bumper face.



LSAC290G

- 5) Disconnect electrical connector and then remove bumper face.
6. Install in reverse order of removal.

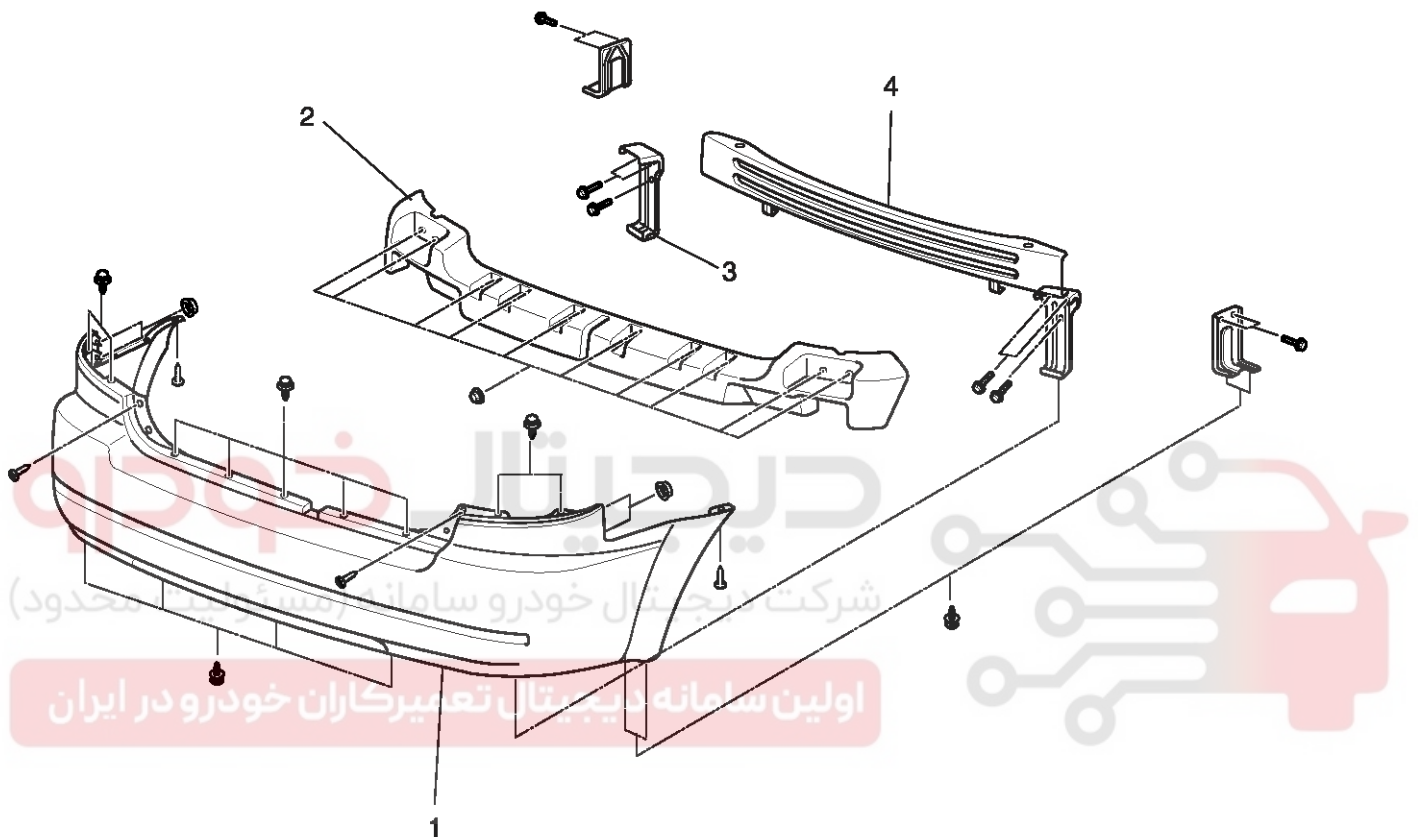


# Bumper

**BD-63**

## Rear Bumper

### COMPONENTS



1. Bumper face
2. Stop member assembly
3. Bumper bracket
4. Bumper reinforcement cross member

LSAC070A

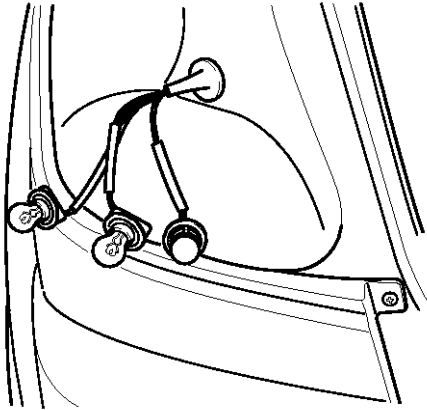
# BD-64

# Body (Interior and Exterior)

## REMOVAL AND INSTALLATION

1. Remove rear combination light.

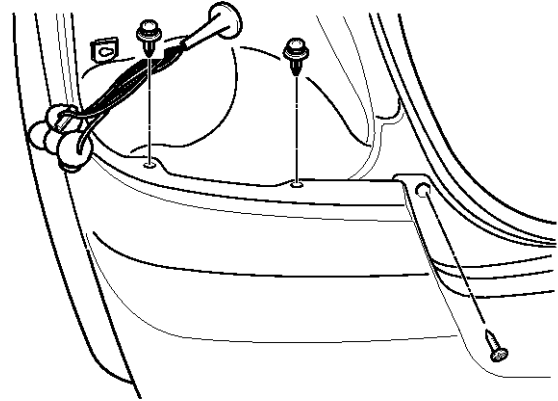
- 1) Remove rear combination light screws (2).



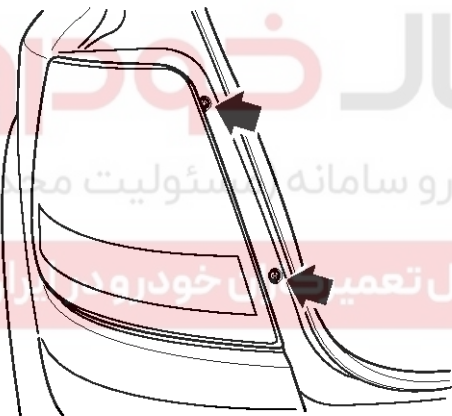
BSAE024B

2. Remove rear bumper face.

- 1) Remove bumper fasteners(9) and screws(2) from top of bumper face.

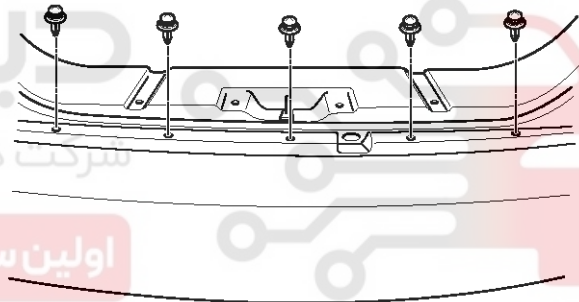


BSAE024D



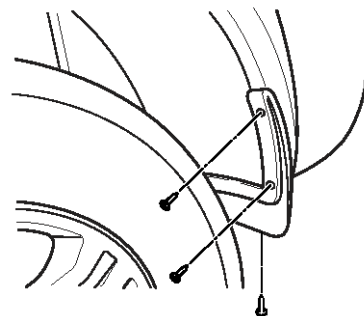
BSAE024C

- 2) Remove bulb and socket.



BSAE024E

- 2) Remove rear mud guard screws (3).

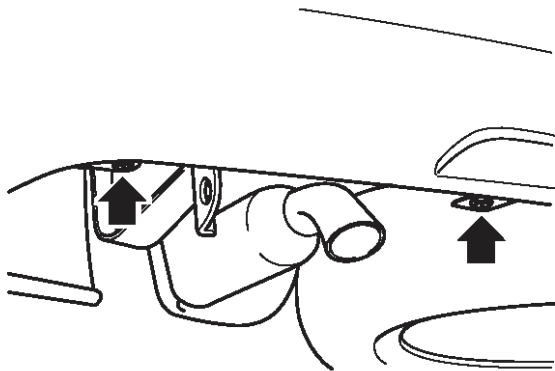


LSAC080C

# Bumper

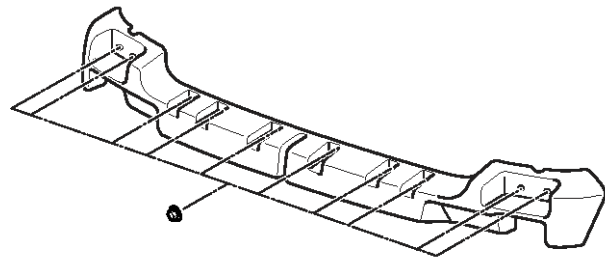
# BD-65

- 3) Remove bumper face fasteners(8) from left and right side of bumper face.



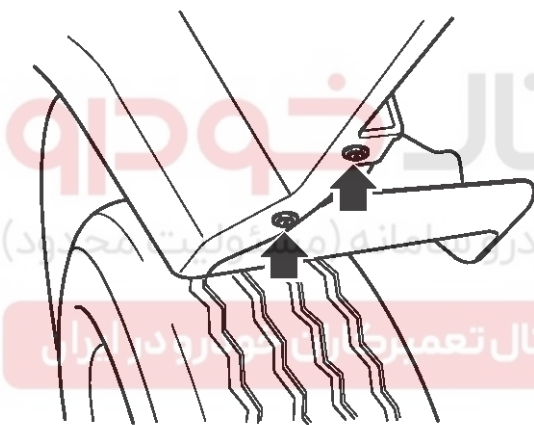
BSAE024F

3. Remove rear step member assembly.
  - 1) Remove rear step member nuts(10).



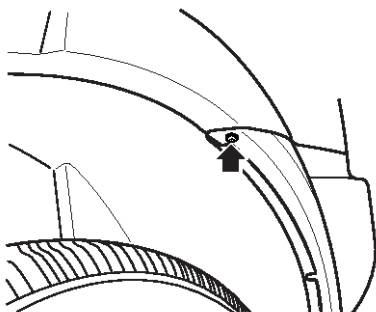
LSAC080G

4. Install in reverse order of removal.



BSAE024G

- 4) Remove bumper face screws(2) from left and right side of bumper face.



LSAC080E

- 5) Remove bumper face nuts (4) from inside of vehicle.
- 6) Remove bumper face.





**BD-66**

**Body (Interior and Exterior)**

**Seat & Power Seat**

**Front Seat**

**COMPONENTS**

دیجیتال خودرو

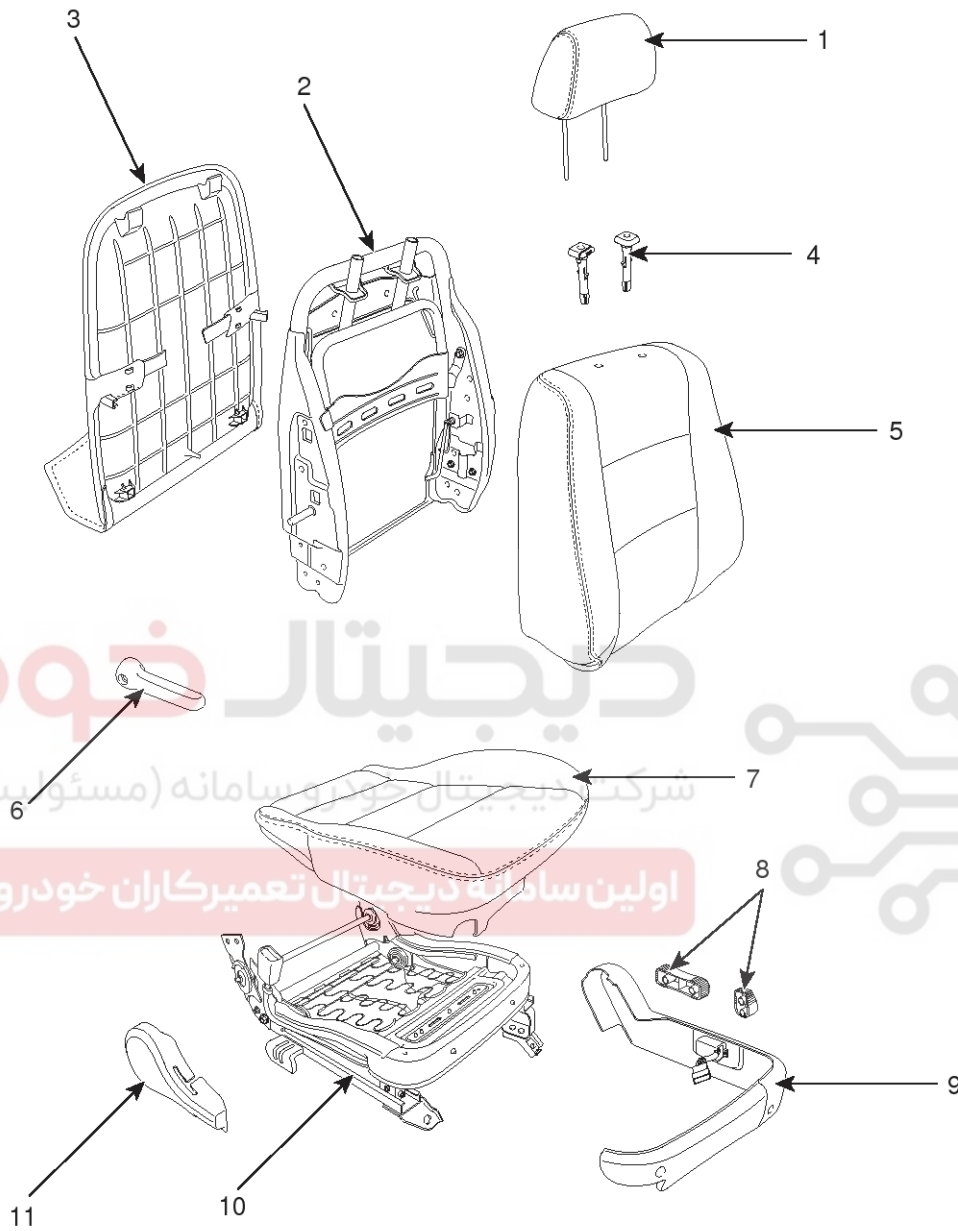
شرکت دیجیتال خودرو سامانه (مسئولیت محدود)

اولین سامانه دیجیتال تعمیرکاران خودرو در ایران



# Seat & Power Seat

# BD-67



- 1. Seat back cushion
- 2. Seat back frame
- 3. Seat back panel
- 4. Seat cushion
- 5. Seat cushion frame
- 6. Lumbar sport lever
- 7. Recliner lever
- 8. Schild cover
- 9. Recliner cover
- 10. Headrest guide
- 11. Headrest

SBLBD6089L

# BD-68

# Body (Interior and Exterior)

## REPLACEMENT

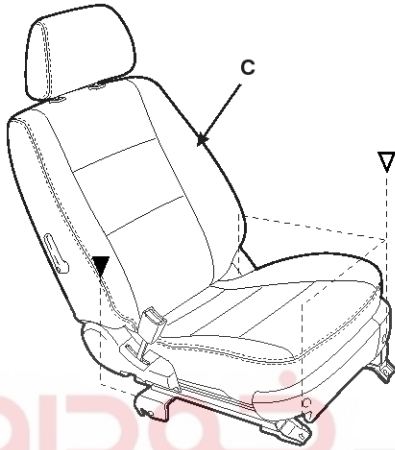
### SEAT ASSEMBLY REPLACEMENT

1. Remove the seat assembly mounting cover.
2. After loosening the seat assembly mounting bolts and nuts, remove the seat assembly (C).

#### Fastener Locations

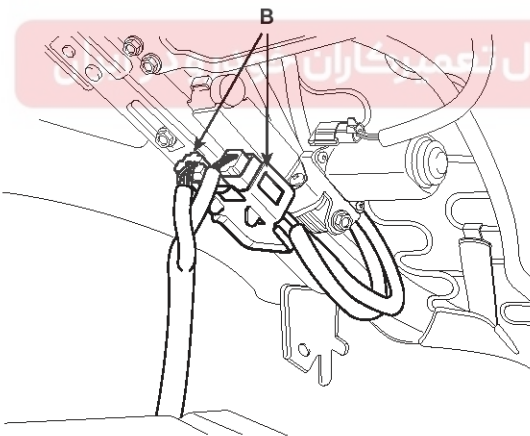
▷ : Bolt, 3

▶ : Nut, 1



SBLBD6028L

3. Disconnect the connector (B).



SBLBD6500D

4. Installation is the reverse of removal.



### CAUTION SEAT MOUNTING BOLT INSTALLATION PROCEDURE

- Set the into the most rearward position.  
Check then each slide is locked, and then tighten the front mounting bolt temporarily.

- Set the seat into most forward position.  
Check that each slide is locked, and then tighten the rear mounting bolt completely.
- Set the seat into the most rearward position.  
Check the front mounting bolt completely.
- Check that the seat operates to and fro smoothly and the locking portion locks properly.

### SEAT BACK COVER REPLACEMENT

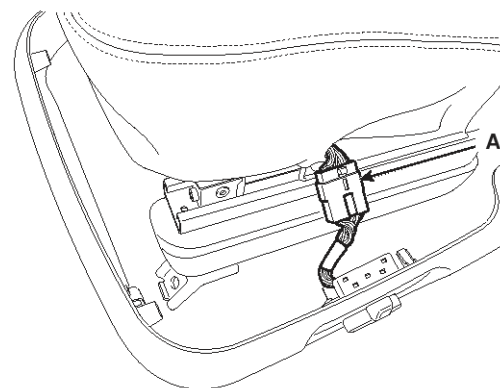
1. Remove front seat assembly.
2. Remove the cover (A).

▷ : Screw Locations, 3



SBLBD6030L

3. Disconnect the protector (A).



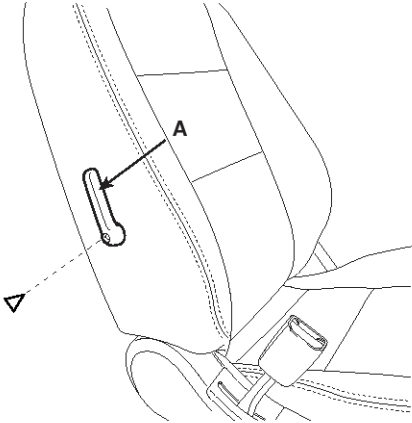
SBLBD6087D

# Seat & Power Seat

# BD-69

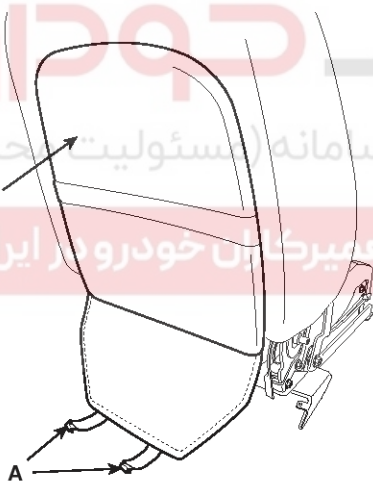
4. Remove the lumbar support lever (A).

▷ : Screw Locations, 1



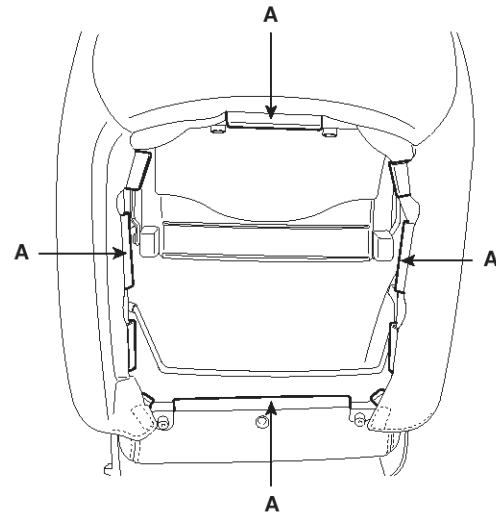
SBLBD6031L

5. After disconnecting the scuff band (A), remove the seat back panel (B).



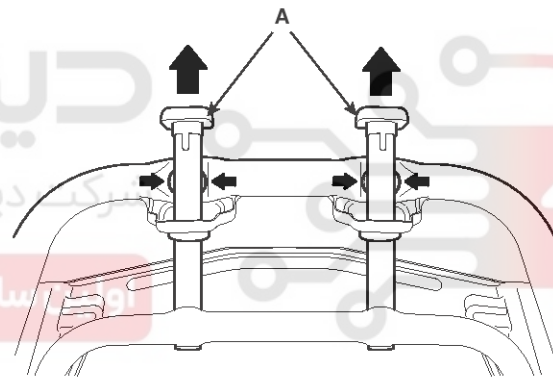
SBLBD6032D

6. Disconnect the protector (A) from the back frame.



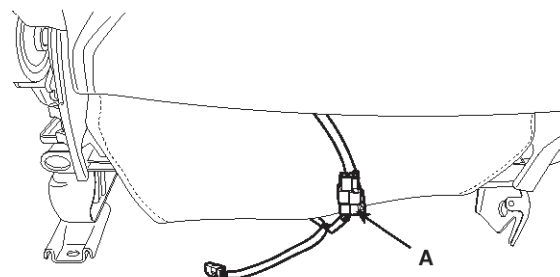
SBLBD6033D

7. Remove the headrest and headrest guide (A).



SBLBD6034D

8. Disconnect the connector (A).

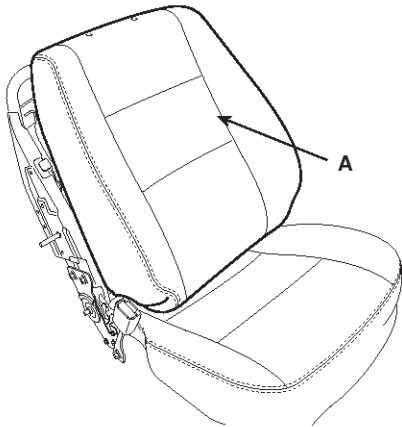


SBLBD6035D

# BD-70

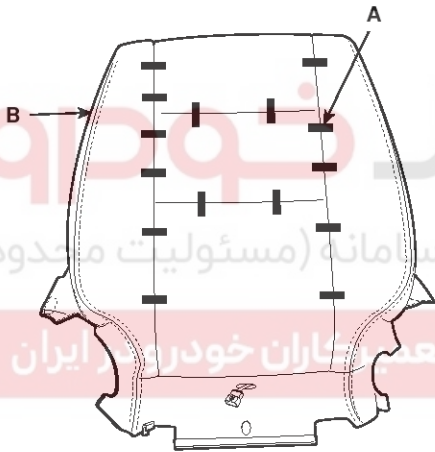
# Body (Interior and Exterior)

9. Remove the seat back cushion (A).



SBLBD6036D

10. After removing the hog-ring clip (A) on the front of seat cushion and remove the seat cushion cover (B).



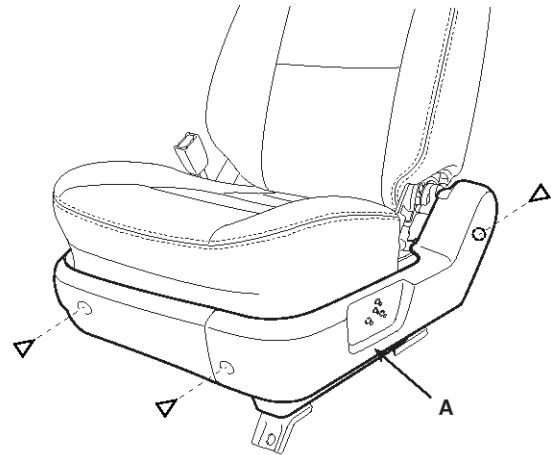
SBLBD6037D

11. Installation is the reverse of removal.

### SEAT CUSHION COVER REPLACEMENT

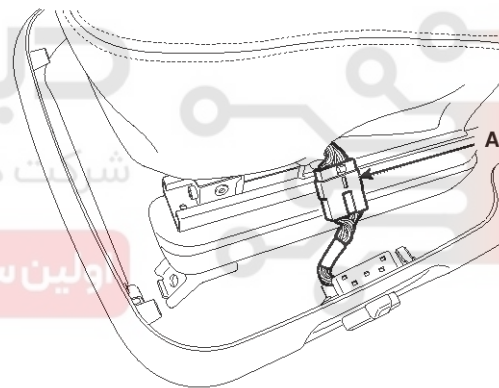
1. Remove front seat assembly.
2. Remove the recliner cover (A).

▷ : Screw Locations, 3



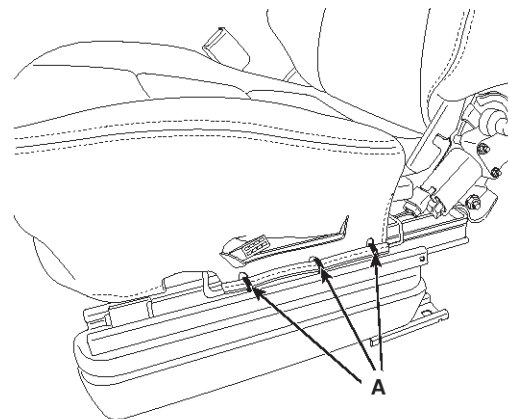
SBLBD6030L

3. Disconnect the protector (A).



SBLBD6087D

4. Removing the hog-ring clip (A).

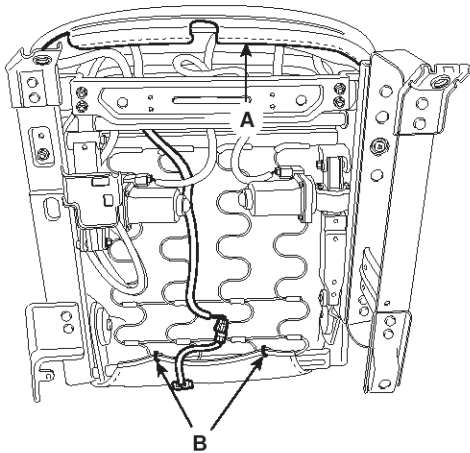


SBLBD6038D

# Seat & Power Seat

# BD-71

5. Remove the hog-ring clip (B) and bend (A).



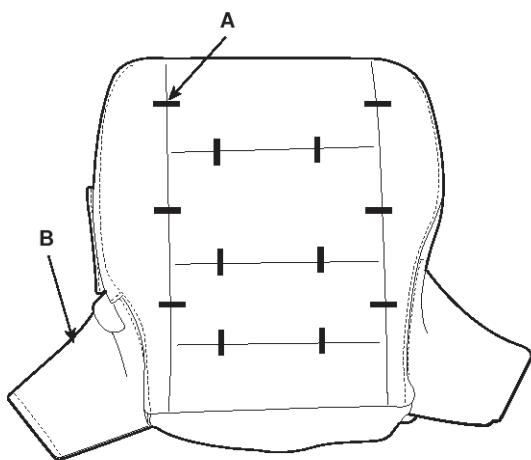
SBLBD6039D

6. Remove the seat cushion (A).



SBLBD6040D

7. After removing the hog-ring clip (A) on the front of seat cushion and remove the seat cushion cover (B).



SBLBD6041D

8. Installation is the reverse of removal.

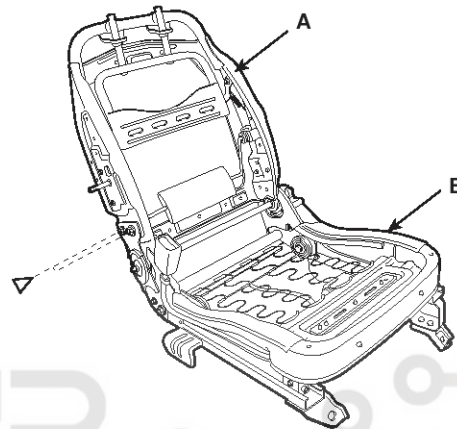
## SEAT FRAME REPLACEMENT

1. Remove the following items.

- Seat back cushion.
- Seat cushion

2. After loosening the mounting bolts, then disconnect the seat back frame (A) and seat cushion frame (B).

▷ : Bolt Locations, 4



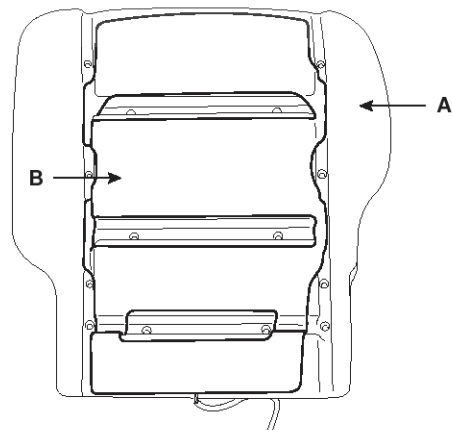
SBLBD6042L

3. Installation is the reverse of removal.

## SEAT BACK HEATER REPLACEMENT

1. Remove the seat back cover

2. Seat back pad replacement (A).



SBLBD6043D

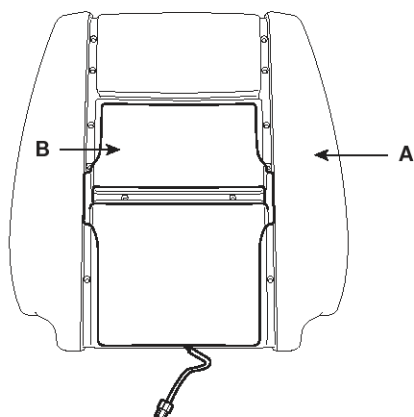
3. Installation is the reverse of removal.

## BD-72

## Body (Interior and Exterior)

### SEAT CUSHION HEATER REPLACEMENT

1. Remove the seat back cover.
2. Seat cushion pad replacement (A).



SBLBD6044D

3. Installation is the reverse of removal.

# دیجیتال خودرو

شرکت دیجیتال خودرو سامانه (مسئولیت محدود)

اولین سامانه دیجیتال تعمیرکاران خودرو در ایران



## Seat & Power Seat

BD-73

Rear Seat

COMPONENTS

SECONDARY SEAT

# دیجیتال خودرو

شرکت دیجیتال خودرو سامانه (مسئولیت محدود)

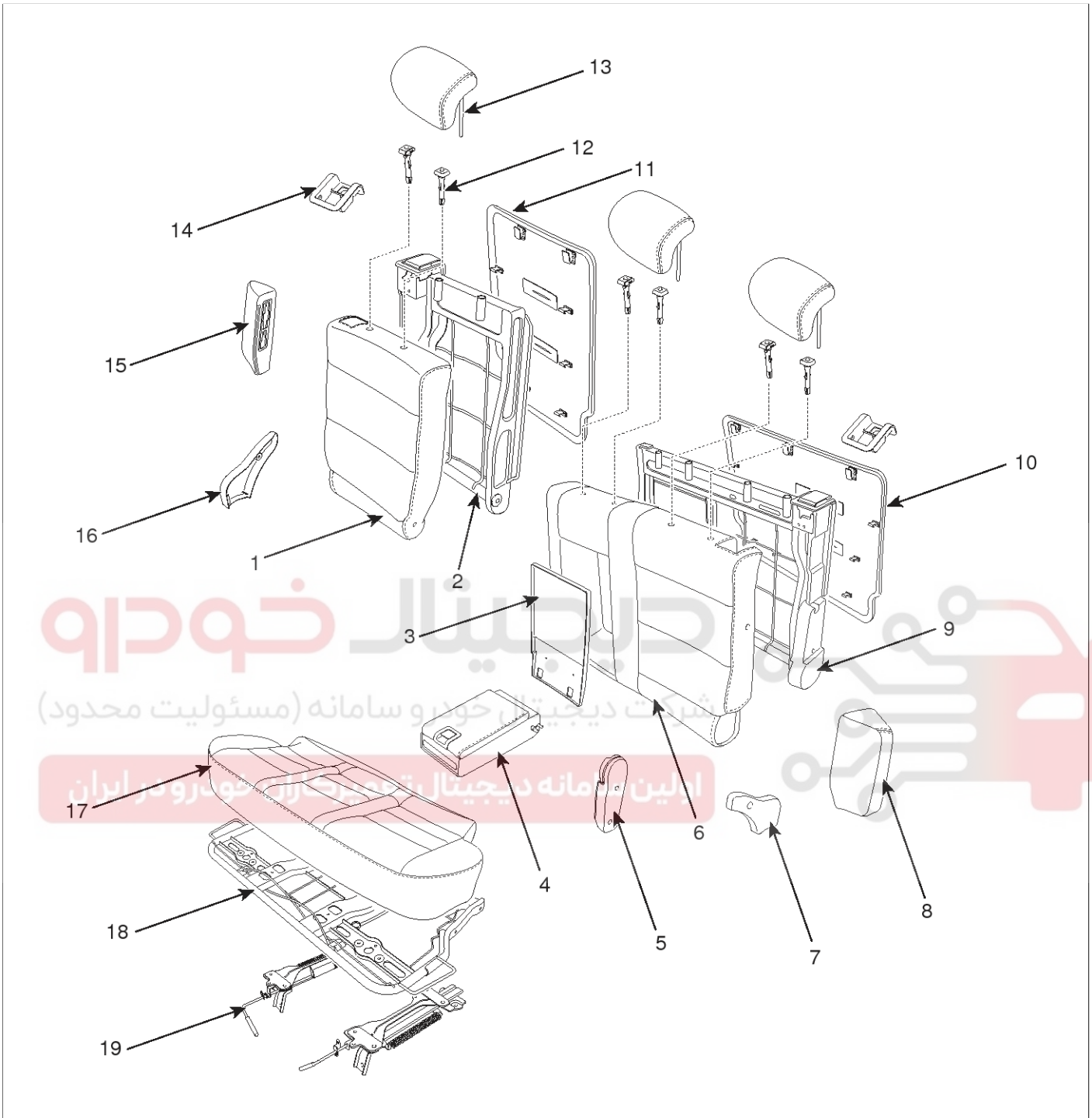
اولین سامانه دیجیتال تعمیرکاران خودرو در ایران





**BD-74**

**Body (Interior and Exterior)**



- 1. Seat back cushion
- 2. Seat back frame
- 3. Seat back panel
- 4. Seat back cushion
- 5. Seat back frame
- 6. Seat back frame
- 7. Seat cushion

- 8. Seat cushion frame
- 9. Seat slide rail
- 10. Armrest
- 11. Recliner cover
- 12. Side cover
- 13. Seat side back

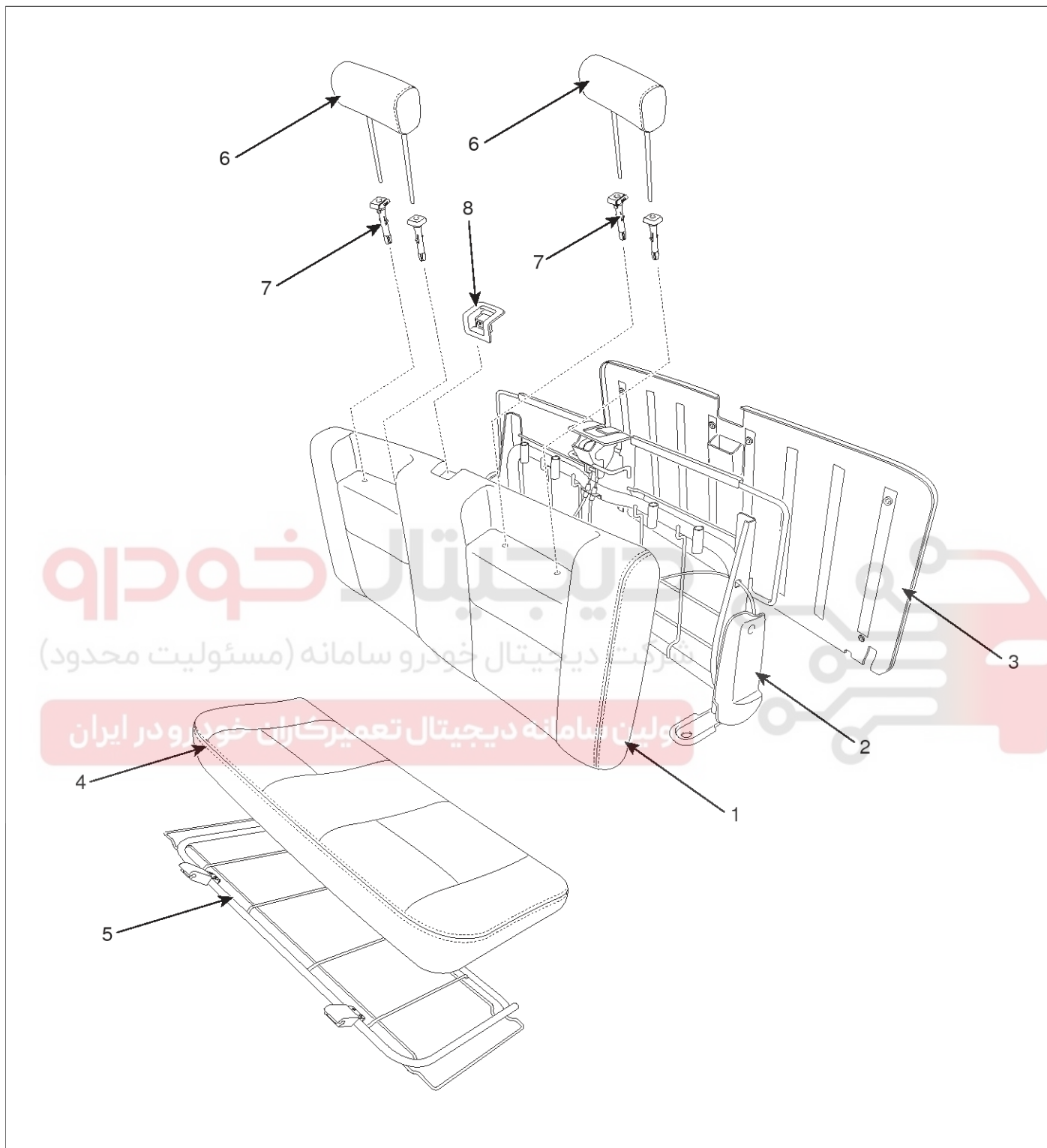
- 14. Side cover
- 15. Seat side back
- 16. Recliner lever cover
- 17. Headrest
- 18. Headrest guide
- 19. Inner back cover

SBLBD6090L

# Seat & Power Seat

# BD-75

## THIRD SEAT



- 1. Seat back cushion
- 2. Seat back frame
- 3. Seat back panel
- 4. Seat cushion

- 5. Seat cushion frame
- 6. Headrest
- 7. Headrest guide
- 8. Recliner lever cover

SBLBD6093L

# BD-76

# Body (Interior and Exterior)

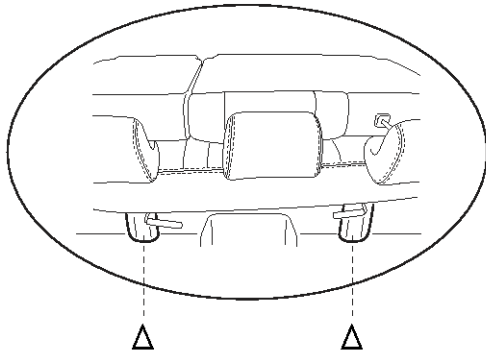
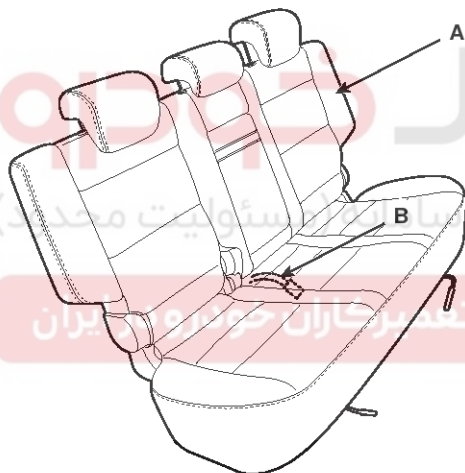
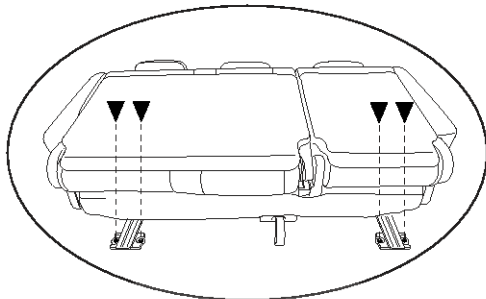
## REPLACEMENT SECONDARY SEAT

### SEAT ASSEMBLY REPLACEMENT

1. Loosen the mounting bolt, then remove the seat assembly (A).

#### Fastener Locations

▷ : Bolt      ▶ : Nut, 4

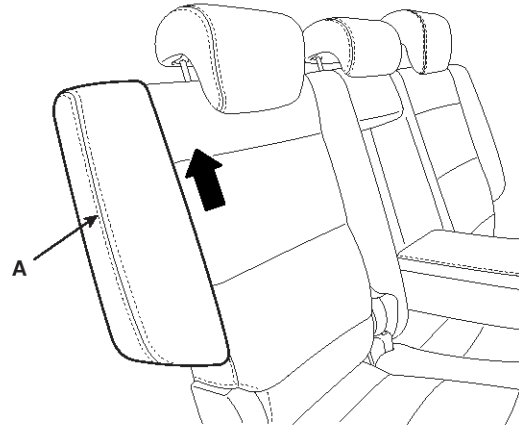


SBLBD6501L

2. Installation is the reverse of removal.

## SEAT BACK COVER REPLACEMENT

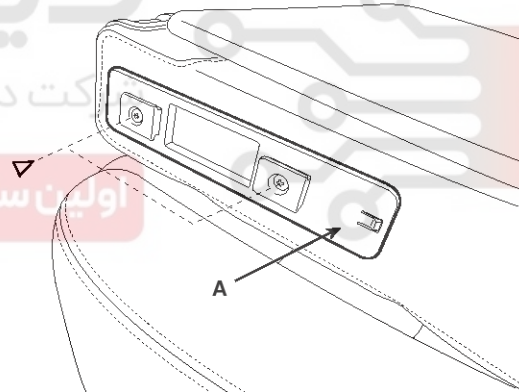
1. Remove the side seat back (A).



SBLBD6046D

2. Remove the side seat back guide (A).

▷ : Screw Locations



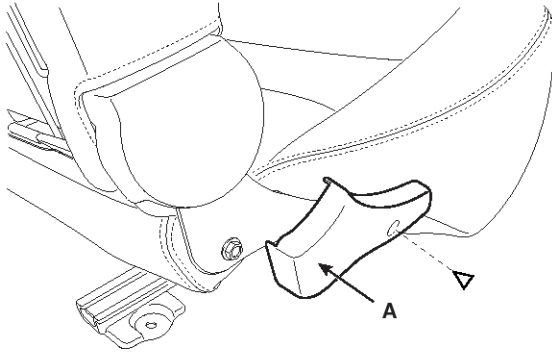
SBLBD6047L

# Seat & Power Seat

# BD-77

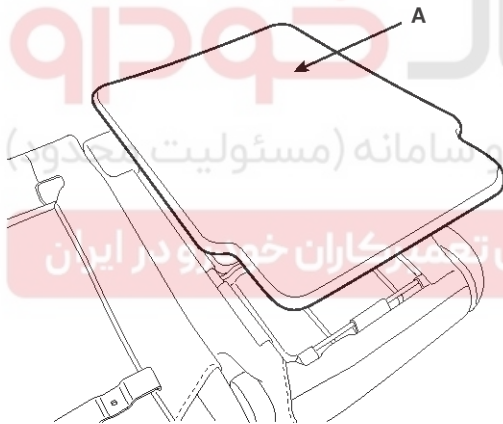
3. Remove the recliner cover (A).

▷ : Screw Locations, 1



SBLBD6048L

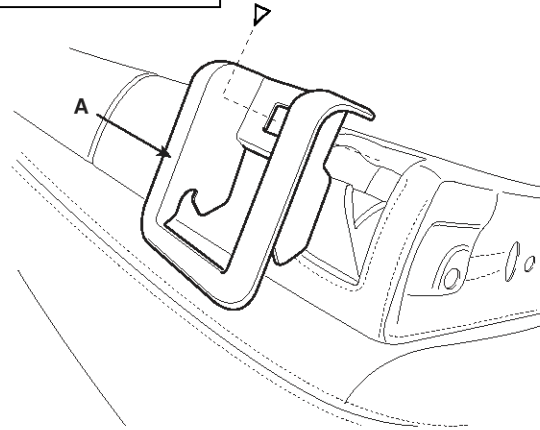
4. Remove the seat back panel (A).



SBLBD6049D

5. Remove the recliner lever cover (A).

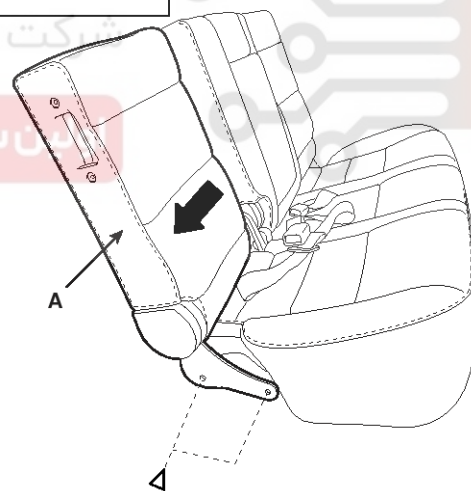
▷ : Screw Locations, 1



SBLBD6050L

6. Remove the seat back (A).

▷ : Bolt Locations, 2

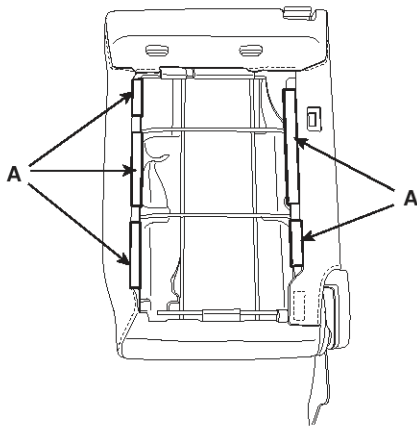


SBLBD6051L

# BD-78

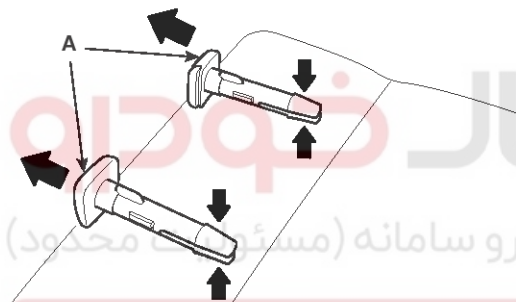
# Body (Interior and Exterior)

7. Disconnect the protector (A).



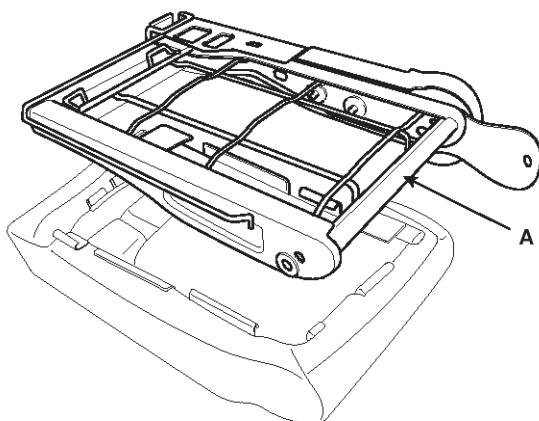
SBLBD6052D

8. Remove the headrest and headrest guide (A).



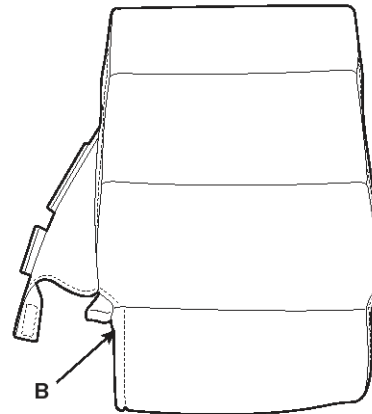
SBLBD6053D

9. Remove the seat frame (A).



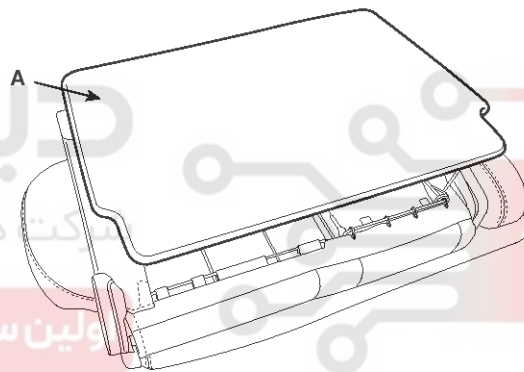
SBLBD6054D

10. After removing the hog-ring clip (A) on the front of seat cushion and remove the seat cushion cover (B).



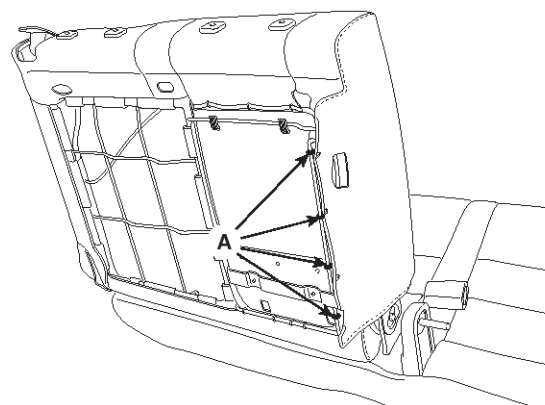
SBLBD6055D

11. Remove the seat back panel (A).



SBLBD6056D

12. Remove the hog-ring clips (A).



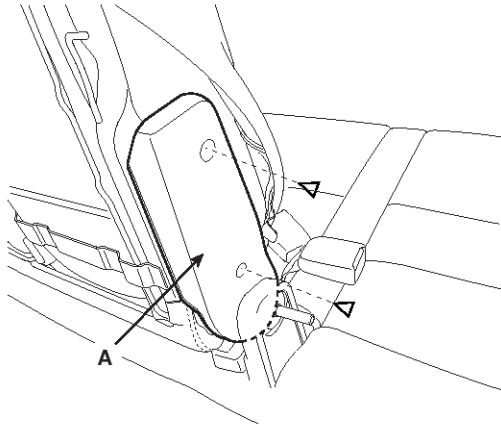
SBLBD6057D

# Seat & Power Seat

# BD-79

13. Remove the recliner cover (A).

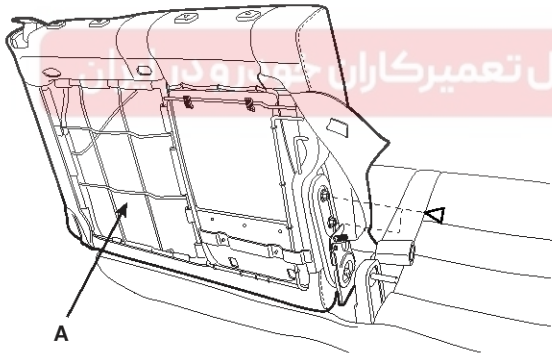
▷ : Screw Locations, 2



SBLBD6058L

14. Remove the seat back assembly (A).

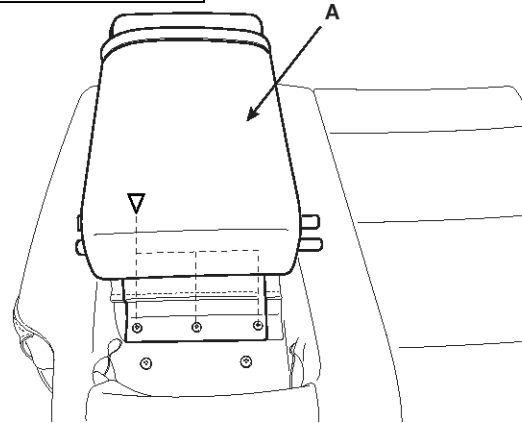
▷ : Bolt Locations, 4



SBLBD6059L

15. Remove the armrest (A).

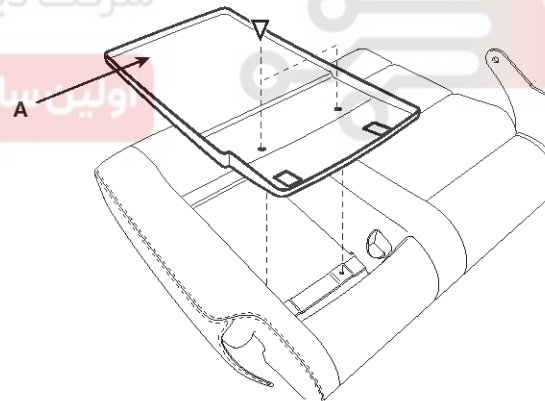
▷ : Screw Locations, 3



SBLBD6060L

16. Remove the armrest rear panel (A).

▷ : Screw Locations, 2

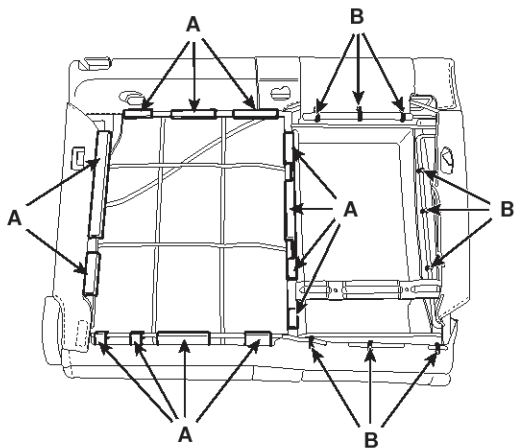


SBLBD6061L

# BD-80

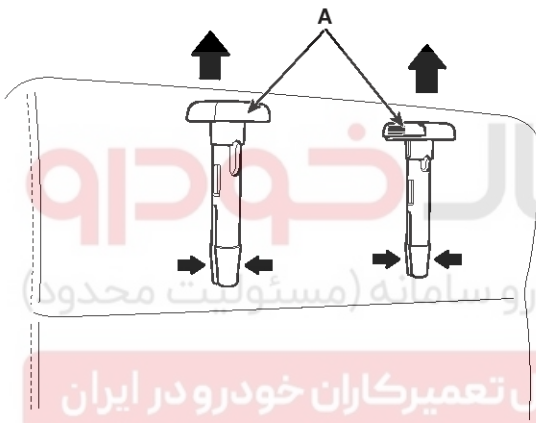
# Body (Interior and Exterior)

17. Remove the protector (B) and hog-ring clips (A).



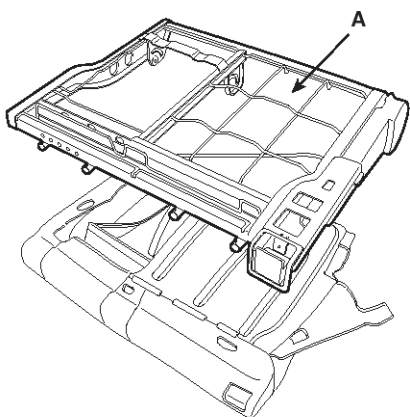
SBLBD6062D

18. Remove the headrest and headrest guide (A).



SBLBD6063D

19. Remove the seat back frame (A).



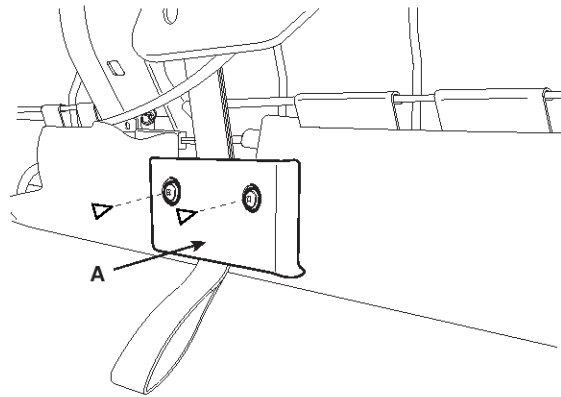
SBLBD6064D

20. Installation is the reverse of removal.

## SEAT CUSHION COVER REPLACEMENT

1. Remove the cover (A).

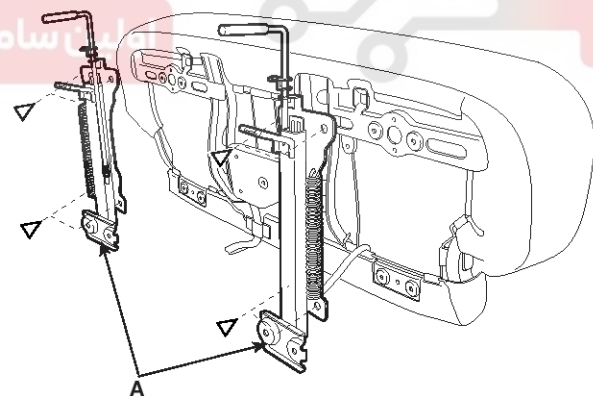
▷ : Screw Locations, 2



SBLBD6065L

2. After loosening the mounting bolts, then remove the rail assembly (A).

▷ : Bolt Locations, 4



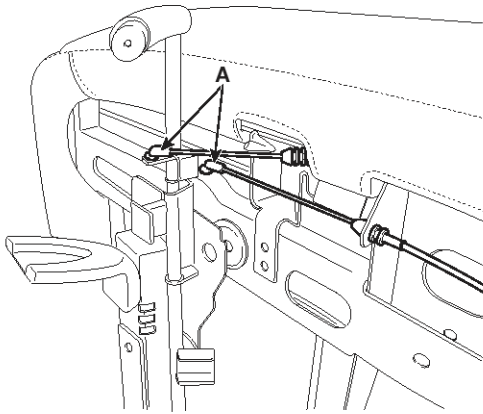
SBLBD6066L



# Seat & Power Seat

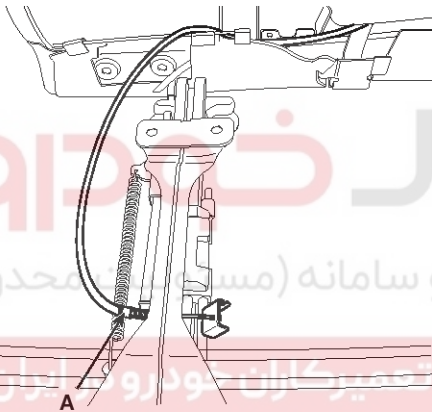
# BD-81

3. Remove the sliding cable (A).



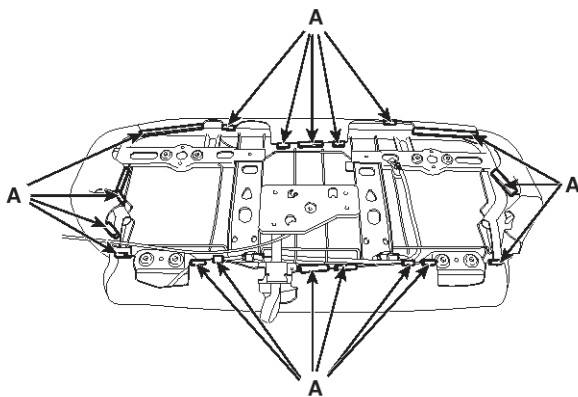
SBLBD6067D

4. Remove the cable (A).



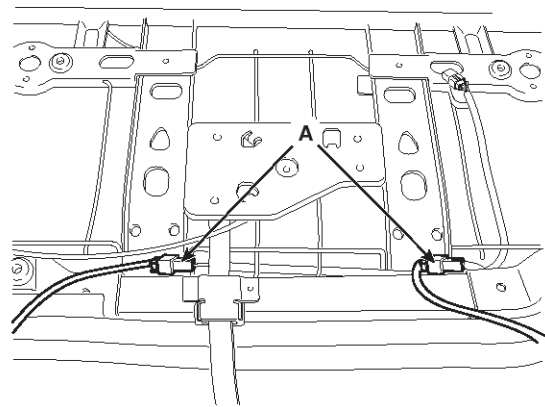
SBLBD6068D

5. Remove the protector (B).



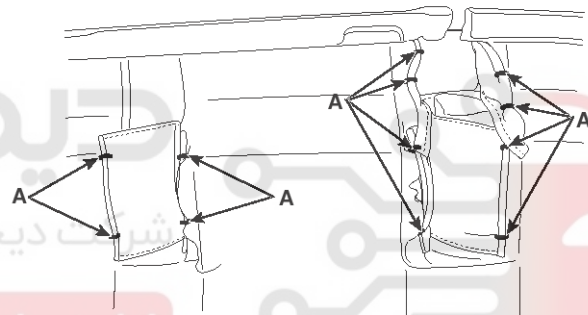
SBLBD6069D

6. Disconnect the connector (A).



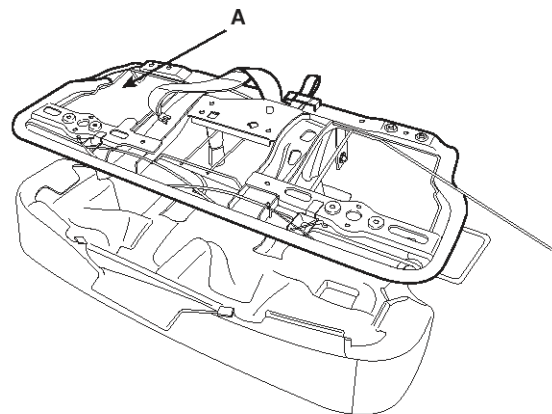
SBLBD6070D

7. Remove the hog-ring clips (A).



SBLBD6088D

8. Remove the seat cushion frame (A).



SBLBD6071D

9. Installation is the reverse of removal.

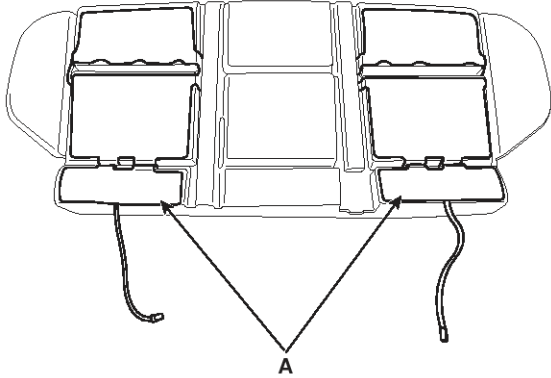


# BD-82

# Body (Interior and Exterior)

## REAR SEAT HEATER REPLACEMENT

1. Remove the seat cushion cover.
2. Remove the heater (A).

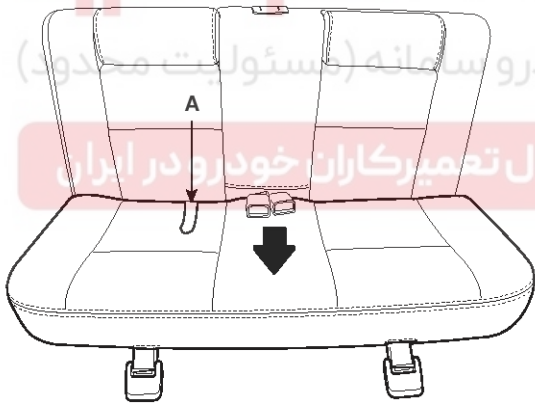


SBLBD6072D

3. Installation is the reverse of removal.

## THIRD SEAT SEAT ASSEMBLY REPLACEMENT

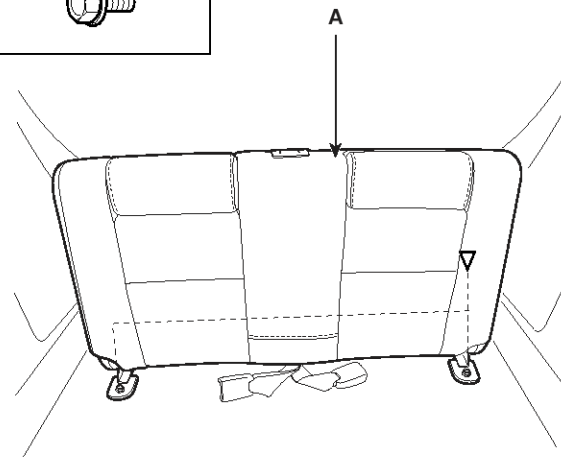
1. Remove the seat cushion (A).



SBLBD6073D

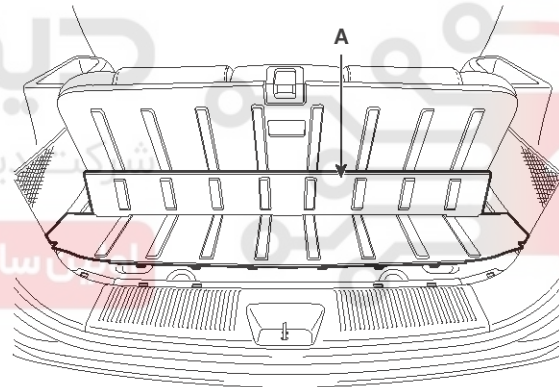
2. Loosen the mounting bolts (A).

▷ : Bolt Locations, 2



SBLBD6074L

3. Remove the cover (A).



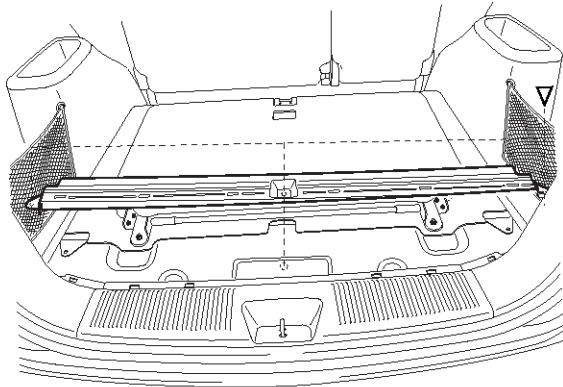
SBLBD6075D

# Seat & Power Seat

# BD-83

4. Remove the bracket (A).

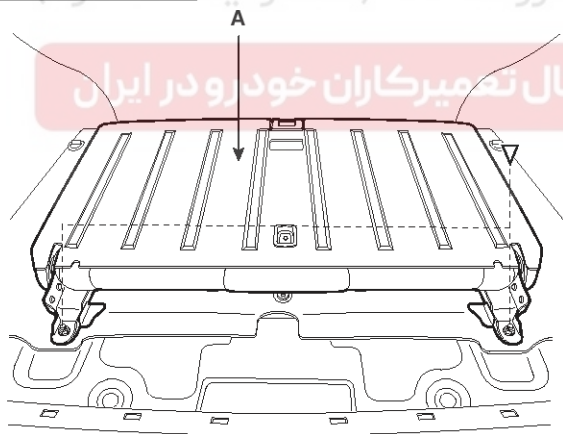
▷ : Bolt Locations, 3



SBLBD6076L

5. After loosening the mounting screw, then remove the seat back (A).

▷ : Nut Locations, 2



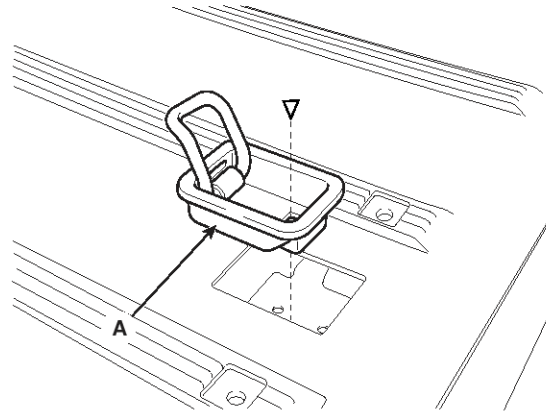
SBLBD6077L

6. Installation is the reverse of removal.

## SEAT BACK COVER REPLACEMENT

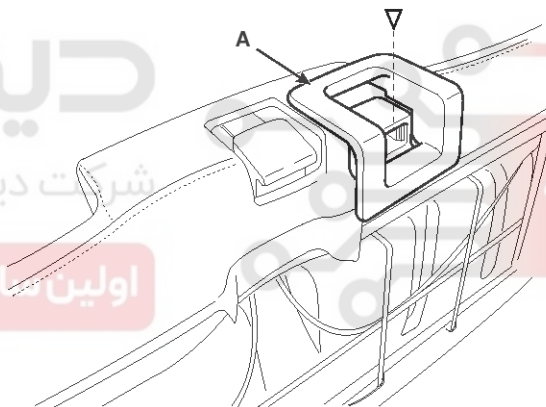
1. Remove the third seat assembly.
2. Remove the hook (A).

▷ : Screw Locations, 1



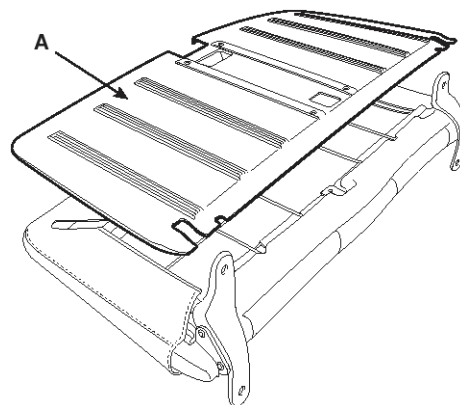
SBLBD6081L

3. Remove the recliner lever (A).



SBLBD6082D

4. Remove the seat back panel (A).

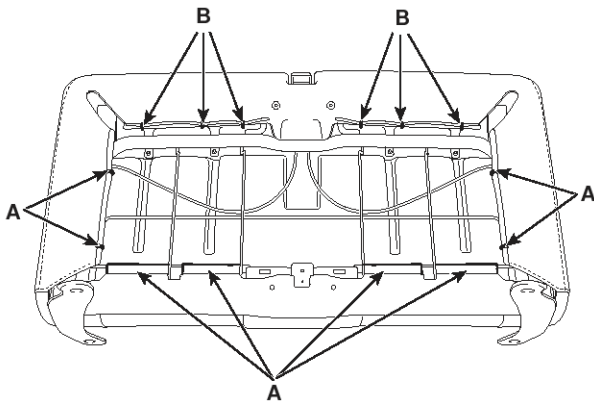


SBLBD6083D

# BD-84

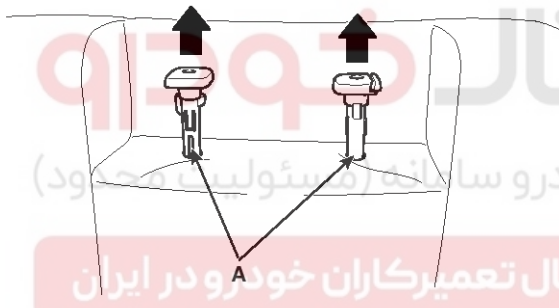
# Body (Interior and Exterior)

- 5. Disconnect the protector (A).
- 6. Remove the hog-ring (B).



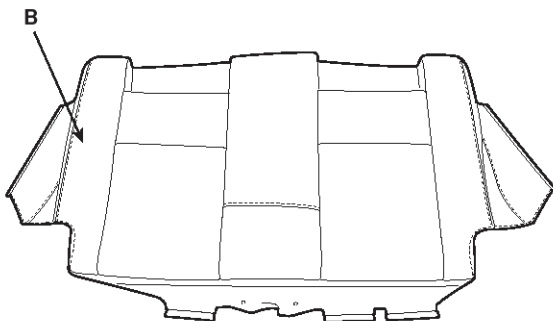
SBLBD6084D

- 7. Remove the headrest and headrest guide (A).



SBLBD6085D

- 8. Remove the hog-ring clips on the front of seat back, remove the seat back cover (B).



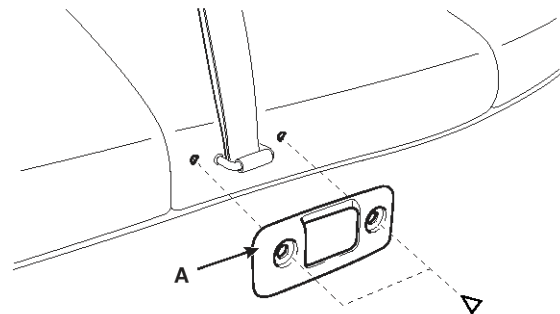
SBLBD6080D

- 9. Installation is the reverse of removal.

## SEAT CUSHION COVER REPLACEMENT

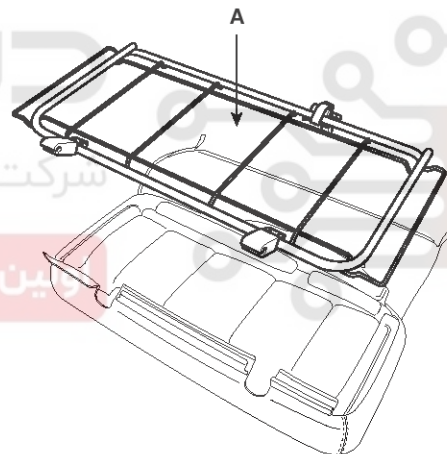
- 1. Remove the cover(A).

▷ : Screw Locations, 2



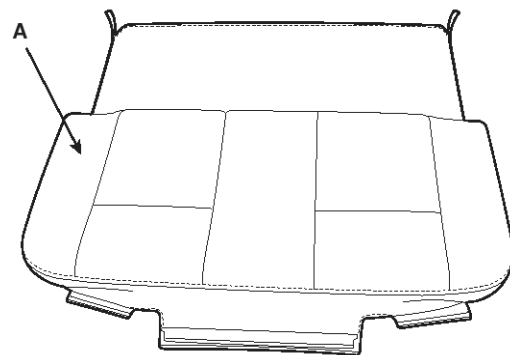
SBLBD6078L

- 2. Remove the seat back frame(A).



SBLBD6079D

- 3. Remove the hog-ring clips on the front of seat back, remove the seat cushion cover(A).



SBLBD6086D

- 4. Installation is the reverse of removal.

# Seat Belt

# BD-85

## Seat Belt

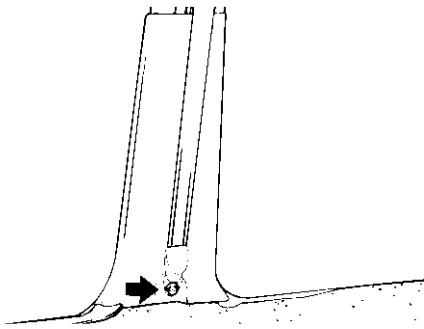
### Front Seat Belt

#### REMOVAL AND INSTALLATION

1. Remove seat belt lower anchor bolt.

Tightening torque :

40-55 N·m (4.0-5.5 kg·m, 29-40 lb·ft)

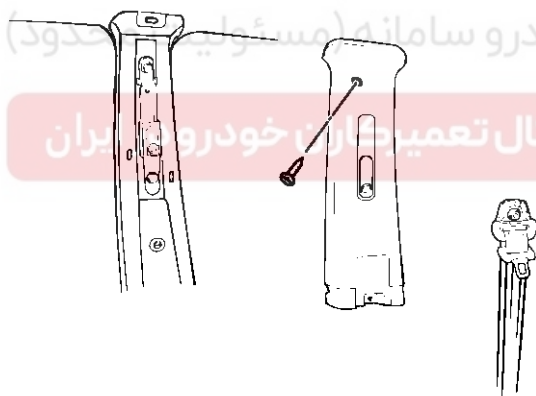


LSAC110I

2. Remove seat belt upper anchor bolt.

Tightening torque :

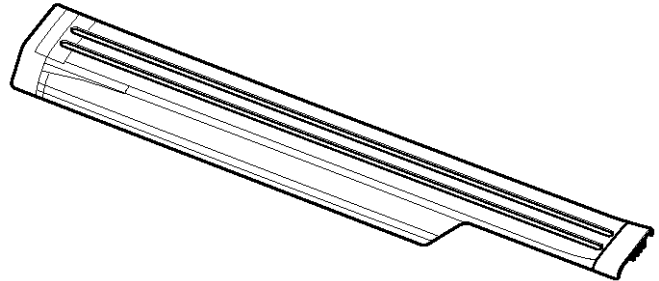
40-55 N·m (4.0-5.5 kg·m, 29-40 lb·ft)



BSAD110J

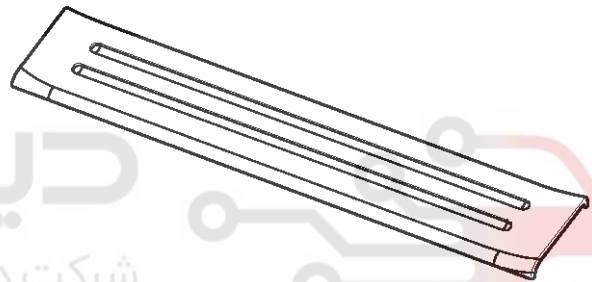
3. Remove B pillar lower trim

1) Remove front door scuff trim.



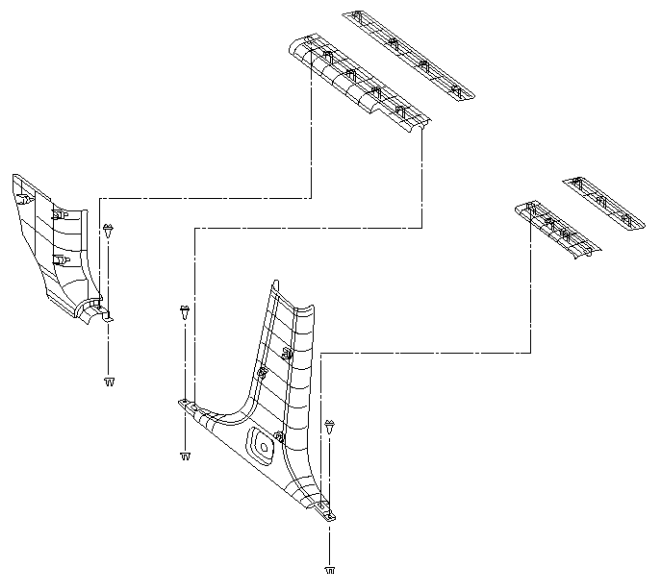
LSAC090B

2) Remove rear door scuff trim.



LSAC110A

3) Remove B pillar lower trim screws (2).



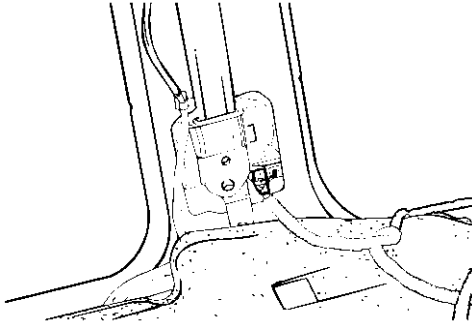
LSAC110B

**BD-86****Body (Interior and Exterior)**

4. Remove retractor.
  - 1) Turn ignition switch "OFF".
  - 2) Disconnect negative battery cable.
  - 3) Wait for about 1 minute.
  - 4) Disconnect gas generator connector.
  - 5) Remove retractor screw.

Tightening torque :

18-27 N·m (1.8-2.7 kg·m, 13-20 lb·ft)



LSAC140A

- 6) Remove wire harness clip.

**⚠ CAUTION**

1. A pretensioner functions one time only. Be sure to replace the pretensioner seat belt after it is deployed.

2. Do not attempt to disassemble or repair the seat belt pretensioner. If it malfunctions, replace it with a new pretensioner seat belt.

3. Be cautious in handling a pretensioner seat belt, and do not expose it to water or oil. If crushed, damaged, or deformed, replace it with a new one.

4. Connect the battery only after the installation of the pretensioner seat belt has been correctly completed.

5. Removal of pretensioner retractor :

- 1) Turn ignition switch "OFF".
- 2) Disconnect negative battery cable.
- 3) Wait for about 1 minute.
- 4) Disconnect gas generator connector.
- 5) Remove retractor screw.

5. Install in reverse order of removal.



# Seat Belt

# BD-87

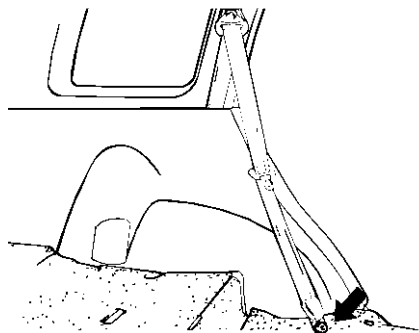
## Rear Seat Belt

### REMOVAL AND INSTALLATION

1. Remove seat belt lower anchor bolt.

Tightening torque :

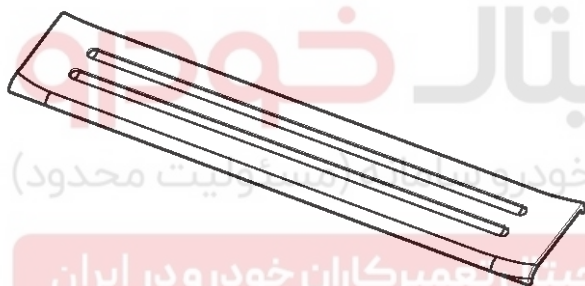
40-55 N·m (4.0-5.5 kg·m, 29-40 lb·ft)



LSAC150A

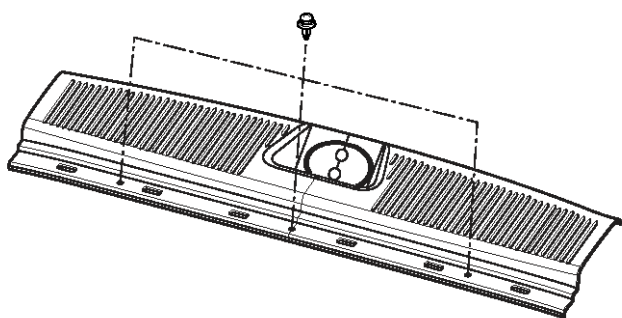
2. Remove rear side trim.

1) Remove rear door scuff trim.



LSAC110A

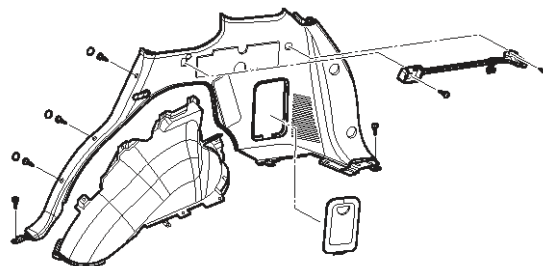
2) Remove rear transverse trim.



BSAD110D

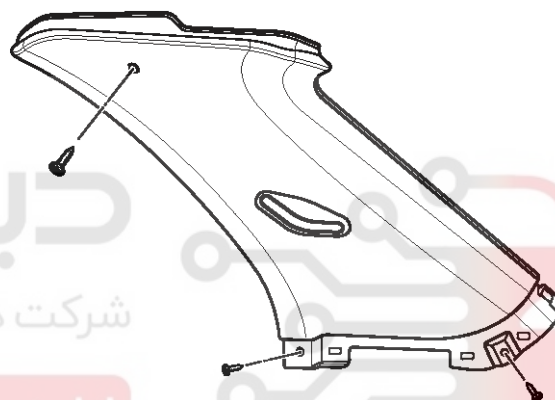
3) Remove hanger net.

4) Remove rear side trim screws (5).



LSAC110F

3. Remove C pillar trim.



BSAD110G

4. Remove seat belt upper anchor bolt.

Tightening torque :

40-55 N·m (4.0-5.5 kg·m, 29-40 lb·ft)

## BD-88

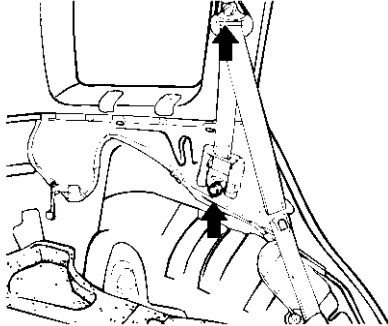
## Body (Interior and Exterior)

5. Remove retractor.

1) Remove retractor anchor bolt.

Tightening torque :

40-55 N·m (4.0-5.5 kg·m, 29-40 lb·ft)



LSAC150B

2) Remove retractor screw.

Tightening torque :

18-27 N·m (1.8-2.7 kg·m, 13-20 lb·ft)

6. Install in reverse order of removal.

# دیجیتال خودرو

شرکت دیجیتال خودرو سامانه (مسئولیت محدود)

اولین سامانه دیجیتال تعمیرکاران خودرو در ایران

