

**BD-2****Body (Interior and Exterior)****General Information****SPECIFICATIONS**

Hood Type	Rear hinged, front opening type (gas lifter type)
Front door Construction Regulator system Locking system	Front hinged, full door construction X-arm type Pin-fork system
Rear door Construction Regulator system Locking system	Front hinged, full door construction X-arm type Pin-fork system
Trunk lid Type	Inner hinged, gas lifter type
Glass thickness Windshield glass Front door glass Rear door glass Rear door fixed glass Rear window glass	Laminated clear, tinted 5.0mm (0.20 in.) 5.0mm (0.20 in.) 5.0mm (0.20 in.) 4.0mm (0.16 in.) 3.5mm (0.14 in.)
Seat belts	3 point type with Emergency Locking Retractor (E.L.R)

**TIGHTENING TORQUE**

Item	Description	N·m	kg·m	lb·ft
Front fender	Mounting bolts	7 - 9	0.7 - 0.9	5.1 - 6.5
	Hinge bolts(Body side)	22 - 27	2.2 - 2.7	15.9 - 19.5
	Hinge nuts(Body side)	22 - 27	2.2 - 2.7	15.9 - 19.5
	Hinge bolts(Hood side)	22 - 27	2.2 - 2.7	15.9 - 19.5
	Lifter bracket bolts(Body side)	22 - 27	2.2 - 2.7	15.9 - 19.5
	Lifter stud ball(Hood side)	22 - 27	2.2 - 2.7	15.9 - 19.5
	Safety hook & Release lever bolts	7 - 11	0.7 - 1.1	5.1 - 8.0
	Safety hook catch bolts	7 - 11	0.7 - 1.1	5.1 - 8.0
	Hood latch bolts	7 - 11	0.7 - 1.1	5.1 - 8.0
Trunk lid	Hinge bolts(Body side)	22 - 27	2.2 - 2.7	15.9 - 19.5
	Latch bolts	7 - 11	0.7 - 1.1	5.1 - 8.0
	Striker bolts	7 - 11	0.7 - 1.1	5.1 - 8.0
	Outer handle bolts	7 - 11	0.7 - 1.1	5.1 - 8.0
	Hinge bolts(Trunk lid side)	22 - 27	2.2 - 2.7	15.9 - 19.5

## General Information

## BD-3

Item	Description	N-m	kg-m	lb-ft
Front /Rear door	Hinge bolts(Body side)	35 - 42	3.5 - 4.2	25.3 - 30.4
	Hinge bolts(Door side)	10 - 20	1.0 - 2.0	7.2 - 14.5
	Checker bolts(Body side)	17 - 22	1.7 - 2.2	12.3 - 15.9
	Checker nuts(Door side)	7 - 11	0.7 - 1.1	5.1 - 8.0
	Door module bolts	7 - 11	0.7 - 1.1	5.1 - 8.0
	Door module nuts	7 - 11	0.7 - 1.1	5.1 - 8.0
	Glass bolts	8 - 12	0.8 - 1.2	5.8 - 8.7
	Glass grip bolts	8 - 12	0.8 - 1.2	5.8 - 8.7
	Outer handle bolts	7 - 11	0.7 - 1.1	5.1 - 8.0
	Latch screws	7 - 11	0.7 - 1.1	5.1 - 8.0
	Striker screws	17 - 22	1.7 - 2.2	12.3 - 15.9
	Glass guide bolt	7 - 11	0.7 - 1.1	5.1 - 8.0
Outside rearview mirror	Mounting bolts	7 - 11	0.7 - 1.1	5.1 - 8.0
Crash pad	Mounting bolts	7 - 11	0.7 - 1.1	5.1 - 8.0
Cowl cross bar	Mounting bolts-Side(M10)	33 - 55	3.3 - 5.5	23.9 - 39.8
	Mounting bolts-Lower(M8)	17 - 26	1.7 - 2.6	12.3 - 18.8
Front bumper	Reinforcement nuts	9 - 14	0.9 - 1.4	6.5 - 10.1
Rear bumper	Mounting bolts	35 - 55	3.5 - 5.5	25.3 - 39.8
Front seat	Mounting nuts	45 - 55	4.5 - 5.5	32.5 - 39.8
	Mounting bolts	45 - 55	4.5 - 5.5	32.5 - 39.8
Rear seat	Cushion bolts(Power seat)	17 - 26	1.7 - 2.6	12.3 - 18.8
	Seatback bolts	17 - 26	1.7 - 2.6	12.3 - 18.8
	Frame bolts(Power seat)	17 - 26	1.7 - 2.6	12.3 - 18.8
	Frame nuts(Power seat)	17 - 26	1.7 - 2.6	12.3 - 18.8
Seat belt	Upper anchor bolt	40 - 55	4.0 - 5.5	28.9 - 39.8
	Lower anchor bolt	40 - 55	4.0 - 5.5	28.9 - 39.8
Sunroof	Glass mounting screws	2 - 4	0.2 - 0.4	1.5 - 2.9
	Mounting bolts and nut	7 - 9	0.7 - 0.9	5.1 - 6.5

## BD-4

## Body (Interior and Exterior)

## TROUBLESHOOTING

Trouble symptom	Probable cause	Remedy
Water leaks from sunroof	Dirt accumulated in drain tube	Clear dirt inside of drain
	Clogged drain tube	Blow air into drain to remove dirt
	Broken or dislocated drain tube, defective or cracked clip	Check tube installation and flange contact
	Deteriorated roof lid weatherstrip	Replace
	Excessive roof lid-to-body clearance and improperly fitted weatherstrip	Adjust
Wind noise around sunroof	Loose or deformed deflector, gaps in body work	Retighten adjust or replace
Sunroof makes a noise when moved	Foreign particles lodged in guide rail	Check drive cable and guide rails for foreign particles
	Loose guide rails and lid	Retighten
Motor runs but sunroof does not move or moves only halfway	Foreign particles lodged in guide rail	Check drive cable and guide rails for foreign particles
	Incorrect engagement of motor pinion with drive cable	Check for loose motor installation and damaged pinion
	Decrease in motor's clutch slipping force	Adjust
	Increased sunroof sliding resistance or interference of sunroof with drive cables, weatherstrip, etc. due to maladjustment of sunroof	Adjust or replace
Noise in motor (clutch slipping noise from motor when sunroof is fully opened or closed is not an unusual noise.)	Incorrect engagement of motor pinion with drive cable	Check pinion installation and retighten motor
	Worn out or damaged motor pinion bearing	Replace motor assembly
	Worn out or deformed drive cable	Replace
Door glass fails to operate up and down	Incorrect window glass installation	Adjust position
	Damaged or faulty regulator arm or regulator	Correct or replace
Door does not open or close completely	Incorrect door installation	Adjust position
	Defective door checker assembly	Correct or replace
	Door hinge requires grease	Apply grease
Hood does not open or close completely	Striker and latch not properly aligned	Adjust
	Incorrectly installed hood	Adjust
	Incorrect hood bumper height	Adjust
Water leak through windshield and rear window	Defective seal	Fill with sealant
	Defective flange	Correct

## General Information

## BD-5

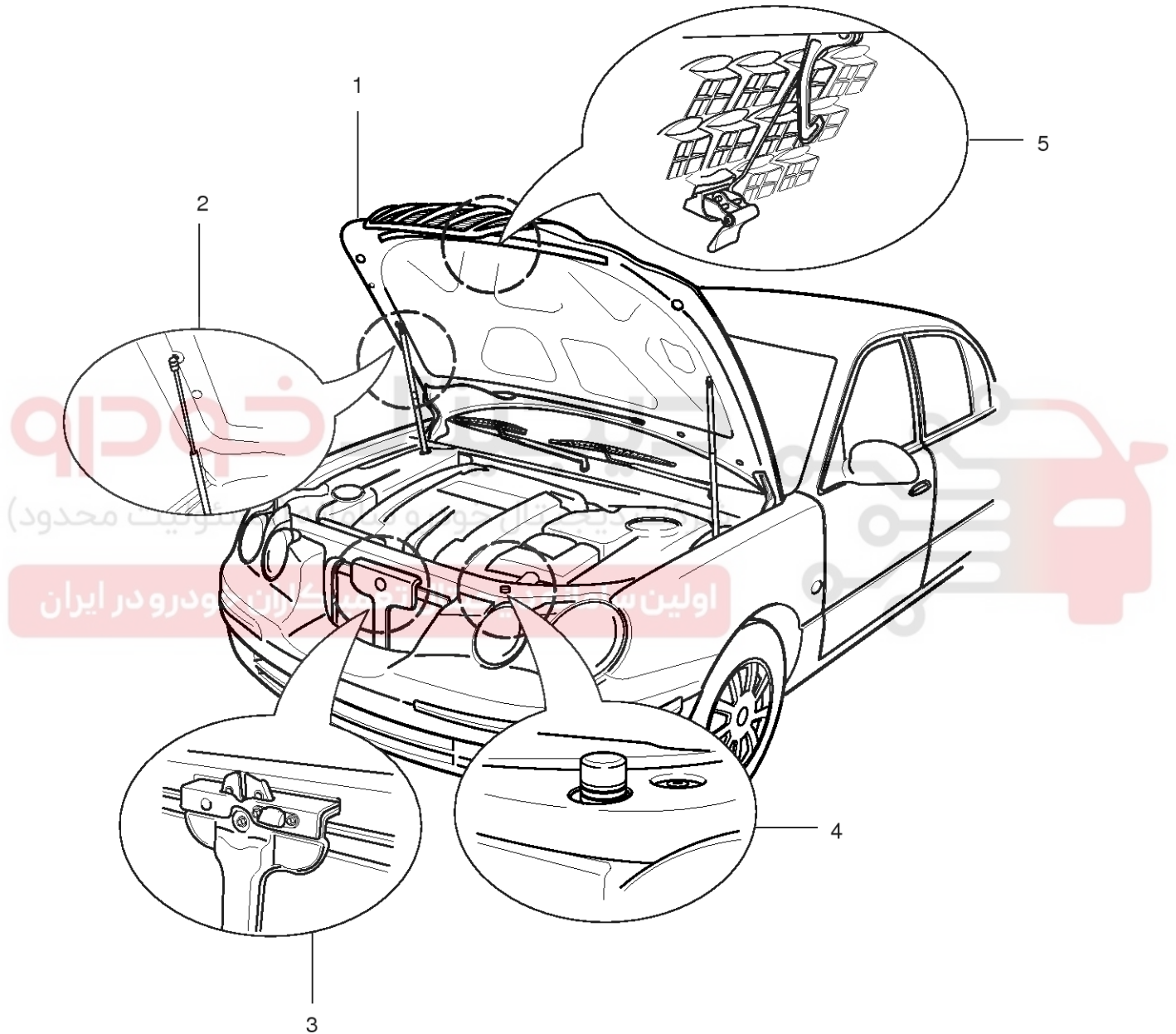
Trouble symptom	Probable cause	Remedy
Wind noise around door	Weatherstrip not holding firmly	Adjust fit of door
	Improperly installed weatherstrip	Repair or replace
	Improperly closed door	Adjust
	Improperly fit door	Adjust
	Improper clearance between door glass and division channel	Adjust
	Deformed door	Repair or replace

# دیجیتال خودرو

شرکت دیجیتال خودرو سامانه (مسئولیت محدود)

اولین سامانه دیجیتال تعمیرکاران خودرو در ایران



**BD-6****Body (Interior and Exterior)****Exterior****hood****COMPONENTS**

1. Hood
2. Hood lifter
3. Hood latch

4. Hood bumper
5. Hood safety hook & Release lever assembly

دیجیتال خودرو

شرکت دیجیتال خودرو سامانه (مسئولیت محدود)

اولین سامانه دیجیتال تعمیرکاران خودرو در ایران



## BD-8

## Body (Interior and Exterior)

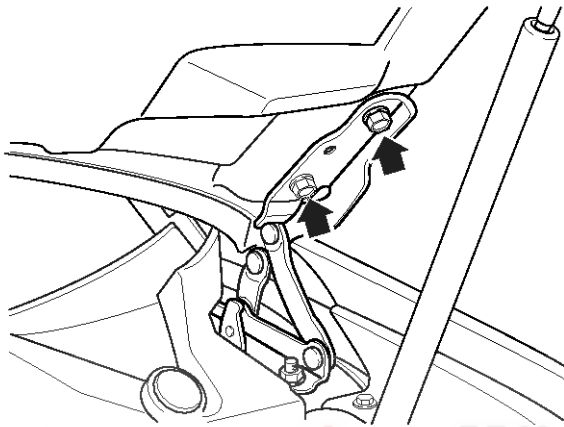
### ADJUSTMENT

#### HOOD HINGE

1. Check that the hood can be closed easily and properly. If there is a problem, open the hood and tighten the hood hinge mounting bolts.

#### Tightening torque :

22-27N·m (2.2-2.7kg·m, 15.9-19.5lb·ft)



دیجیتال خودرو

ASCD002B

شرکت دیجیتال خودرو سامانه (مسئولیت محدود)

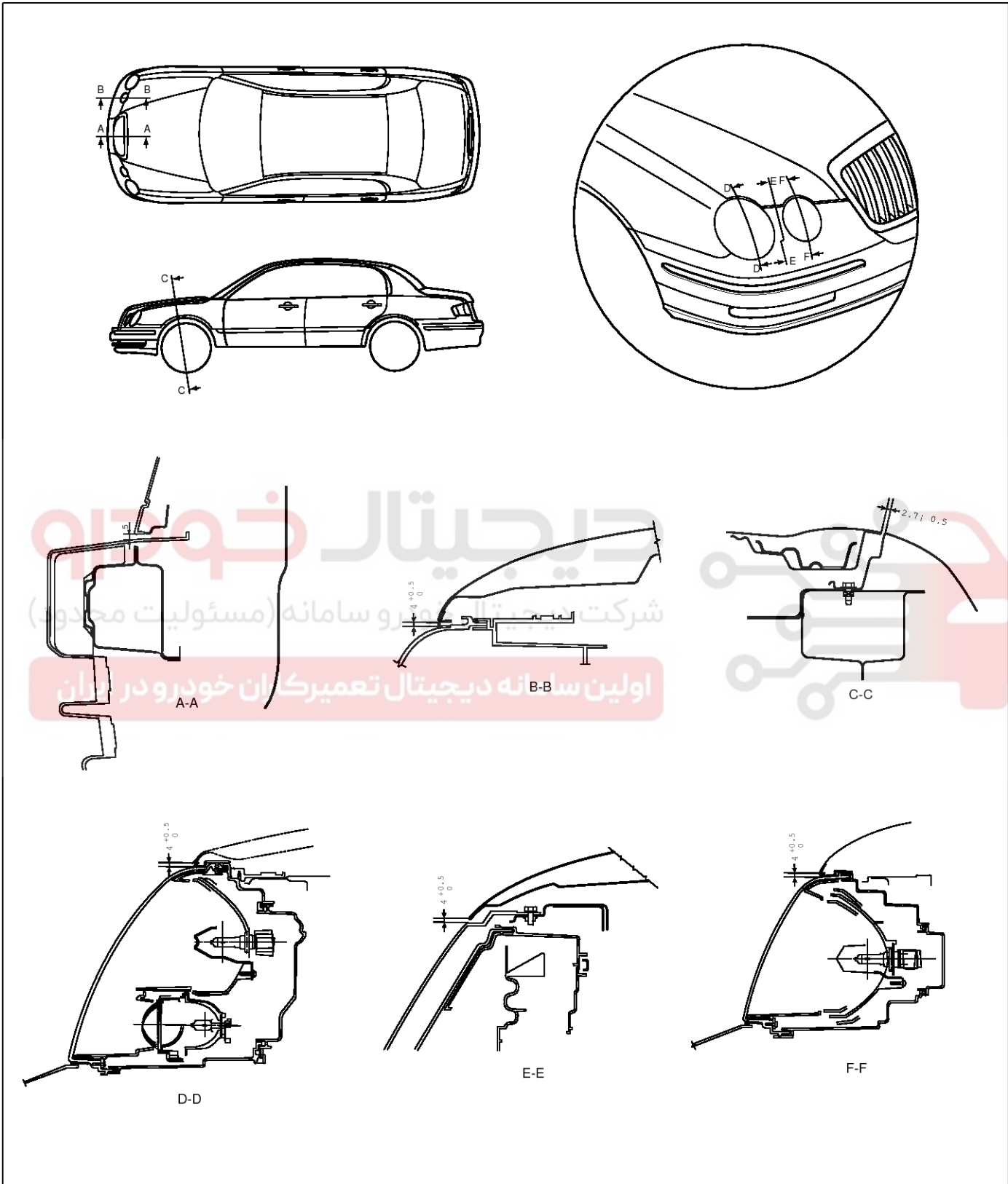
اولین سامانه دیجیتال تعمیرکاران خودرو در ایران



# Exterior

# BD-9

- To adjust the hood-to-body offset, loosen the hood hinge mounting bolts and make the adjustment.



ASCD002C



## BD-10

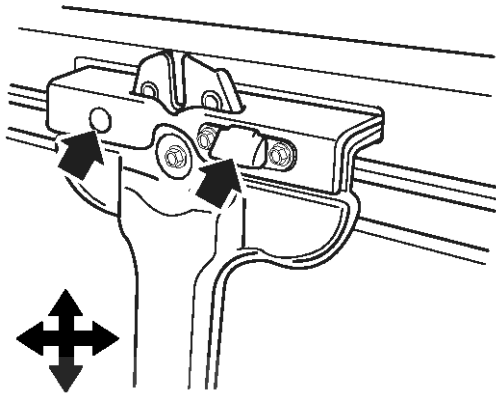
## Body (Interior and Exterior)

### HOOD LATCH

1. Check that the hood can be closed easily and properly. If there is a problem, loosen the latch mounting bolts and adjust the hood by moving the latch vertically or horizontally.

Tightening torque:

7-11N·m (0.7-1.1kg·m, 5.1-8.0lb·ft)



ASCD002D

2. Adjust the front offset of the door to the body by moving the hood latch vertically.

شرکت دیجیتال خودرو (مسئولیت محدود)

اولین سامانه دیجیتال تعمیرکاران خودرو در ایران

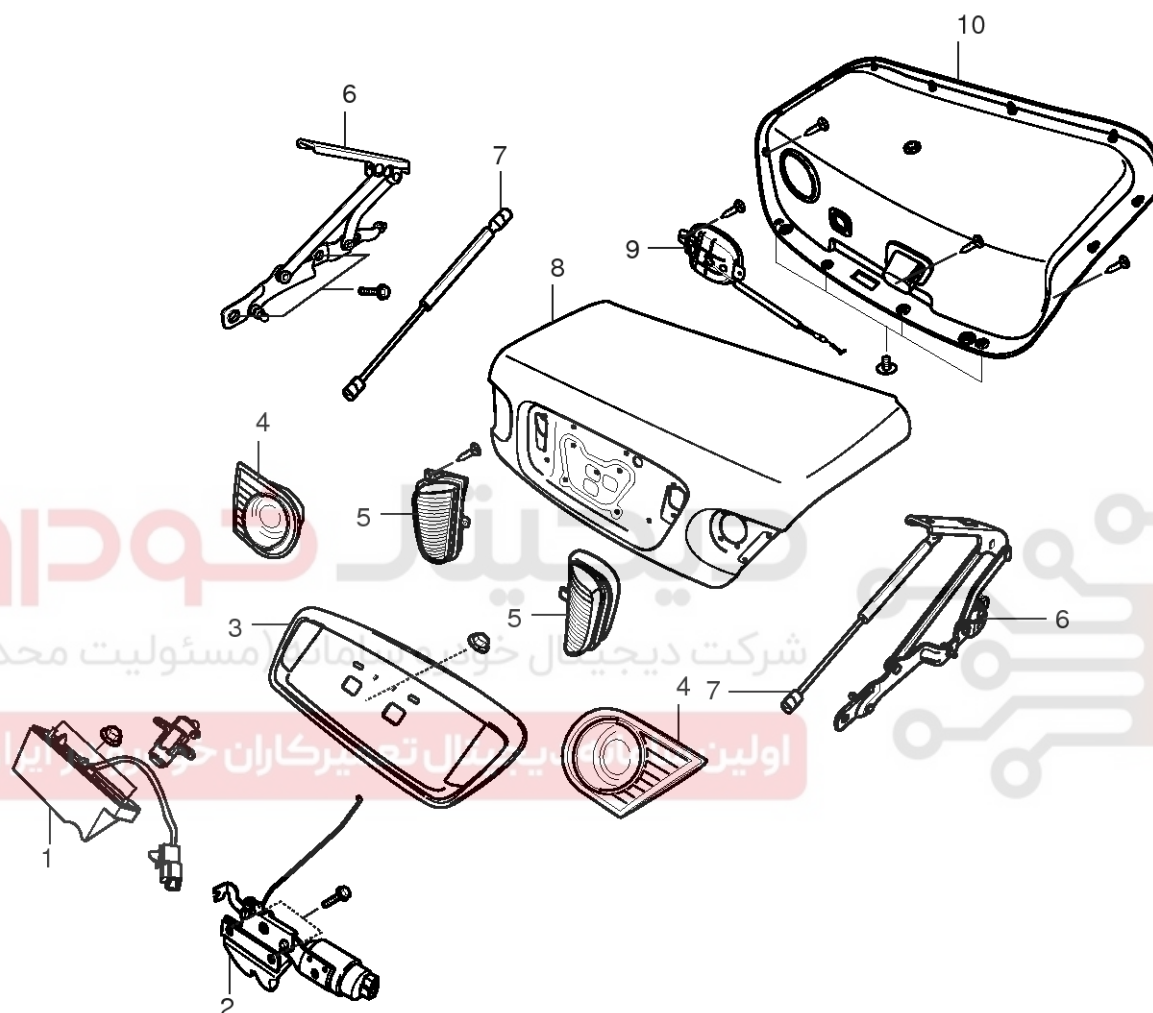


# Exterior

# BD-11

## trunk lid

### COMPONENTS



1. Trunk lid outer handle & Key cylinder assembly
2. Trunk lid latch assembly
3. License plate mounting panel
4. Rear combination lamp
5. Back up light

6. Trunk lid hinge
7. Trunk lid lifter
8. Trunk lid panel assembly
9. Trunk lid inner handle
10. Trunk lid trim

LSCD003A

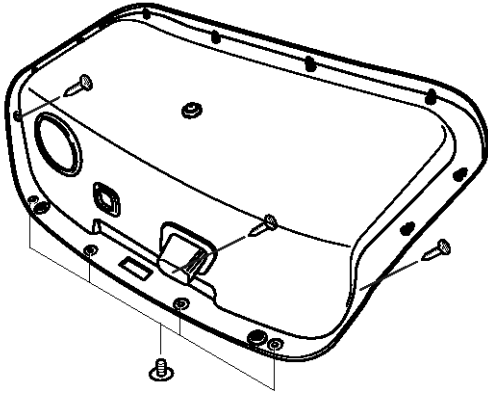
## BD-12

## Body (Interior and Exterior)

## REMOVAL AND INSTALLATION

## 1. Remove trunk lid trim.

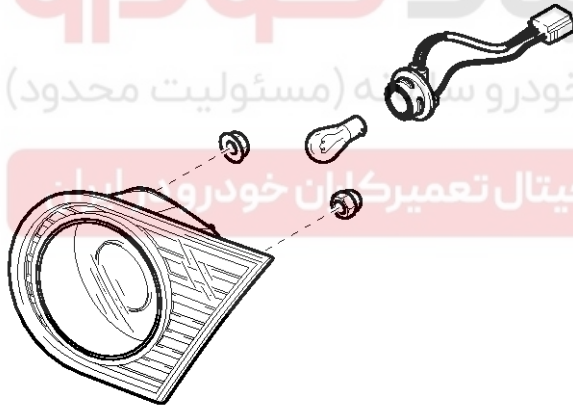
- 1) Remove trunk lid fasteners(4) and screws(3).



ASCD003B

## 2. Remove rear combination lamp(LH).

- 1) Remove rear combination lamp nuts(4).



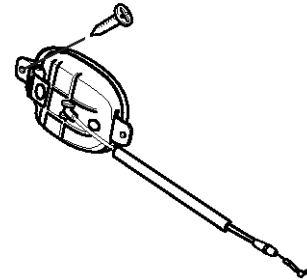
ASCD003C

- 2) Disconnect rear combination lamp connector.

## 3. Remove rear combination lamp(RH).

## 4. Remove trunk lid inner handle.

- 1) Trunk lid inner handle screws(2).

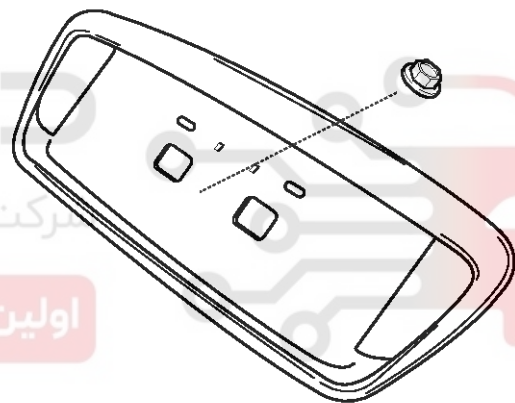


ASCD003E

- 2) Disconnect trunk lid inner handle rod.

## 5. Remove license plate mounting panel.

- 1) Remove license plate mounting panel nuts(11).



ASCD003D

- 2) Disconnect license plate mounting panel connector.

## 6. Remove back up light(LH).

- 1) Remove back up light screws(3).



ASCD003F

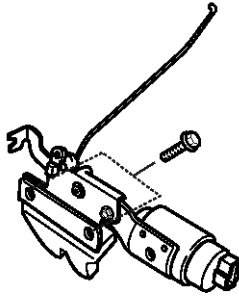
# Exterior

# BD-13

7. Remove back up light(RH).
8. Remove trunk lid latch assembly.
  - 1) Disconnect trunk lid latch rod.
  - 2) Remove trunk lid latch bolts(2).

Tightening torque:

7-11N·m (0.7-1.1kg·m, 5.1-8.0lb·ft)

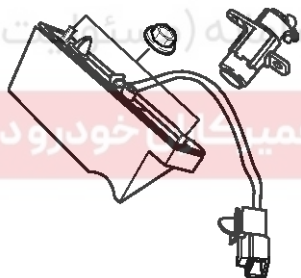


ASCD003G

- 3) Disconnect trunk lid opener connector.
9. Remove trunk lid outer handle.
  - 1) Remove trunk lid outer handle nuts(2).

Tightening torque:

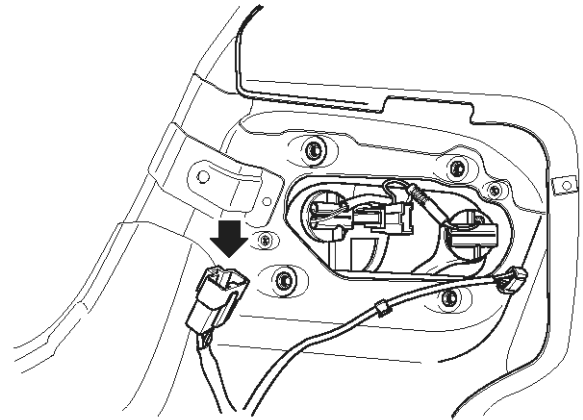
7-11N·m (0.7-1.1kg·m, 5.1-8.0lb·ft)



ASCD003H

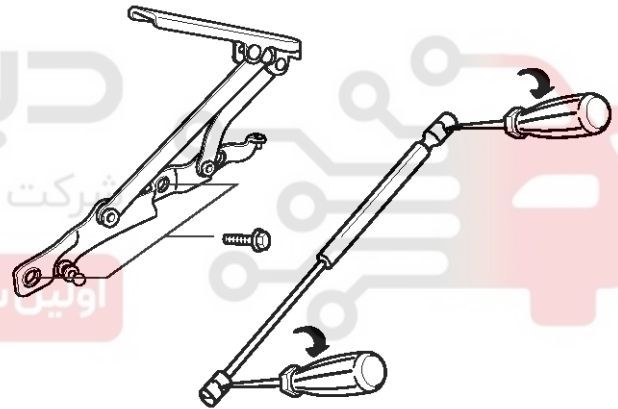
- 2) Disconnect trunk lid outer handle rod.
- 3) Disconnect trunk lid outer handle connector.

10. Remove trunk lid hinge.
  - 1) Disconnect trunk lid connector.



ASCD003J

- 2) Remove trunk lid lifter.



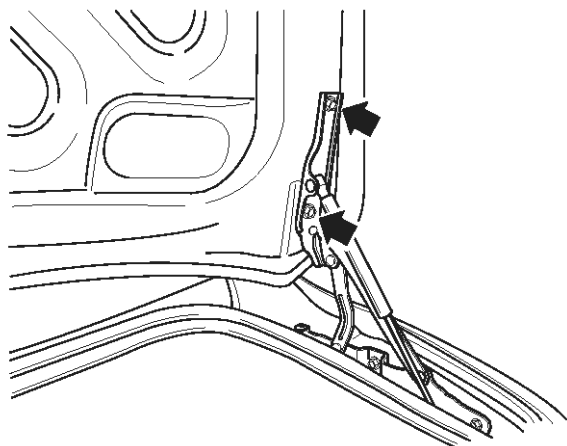
ASCD003K

**BD-14****Body (Interior and Exterior)**

3) Remove trunk lid hinge.

Tightening torque:

22-27N·m (2.2-2.7kg·m, 15.9-19.5lb·ft)



ASCD003M

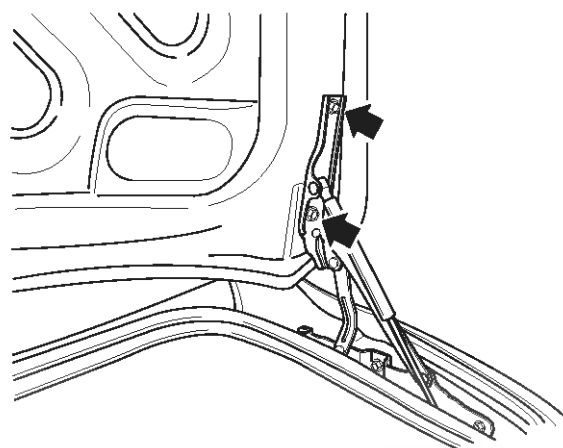
11. Install in reverse order of removal.

**ADJUSTMENT****TRUNK LID HINGE**

1. Check that the trunk lid can be closed easily and properly. If there is a problem, open the trunk lid and tighten the trunk lid hinge mounting bolts.

Tightening torque:

22-27N·m (2.2-2.7kg·m, 15.9-19.5lb·ft)



ASCD003M

دیجیتال خودرو

شرکت دیجیتال خودرو سامانه (مسئولیت محدود)

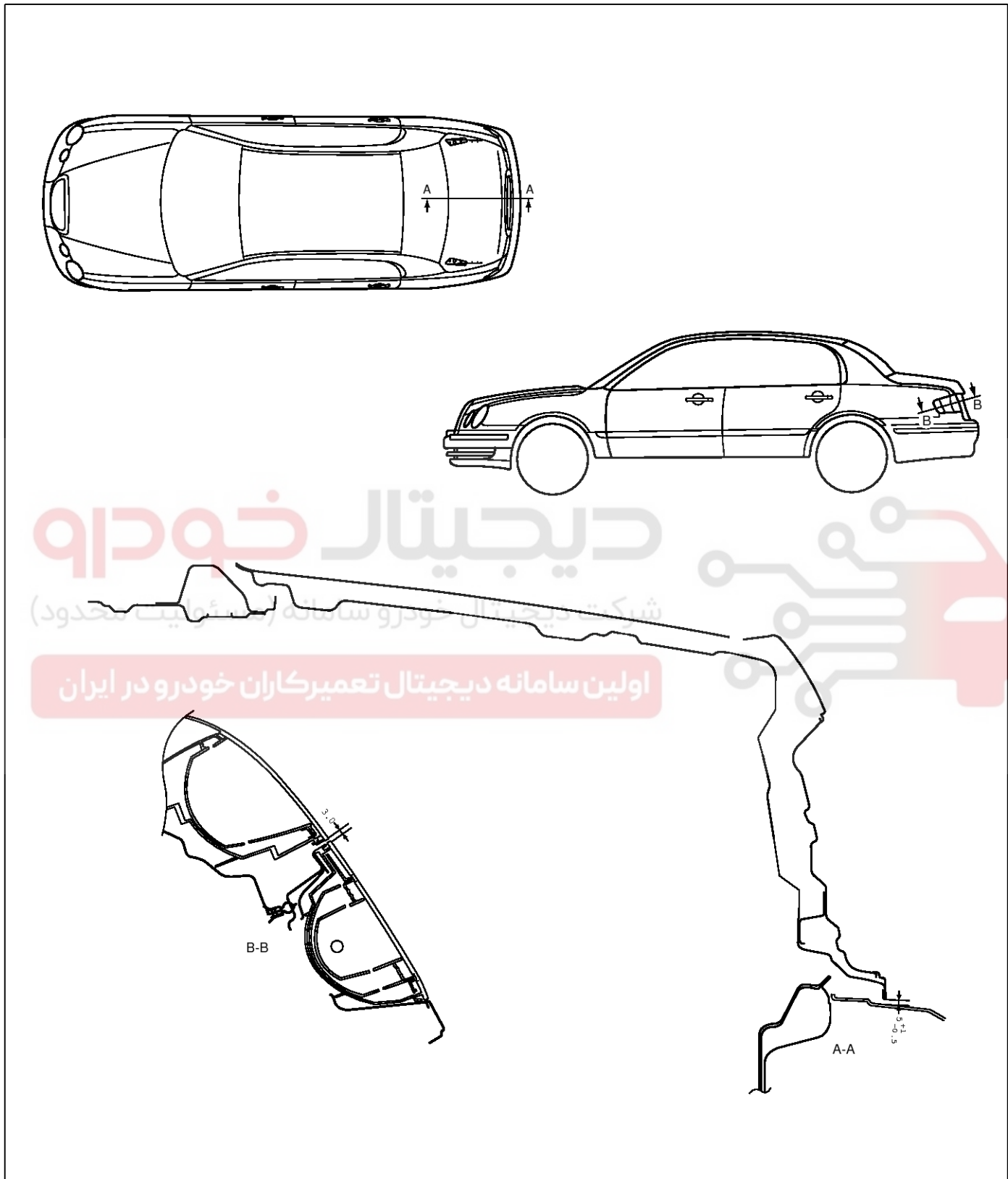
اولین سامانه دیجیتال تعمیرکاران خودرو در ایران



## Exterior

## BD-15

2. To adjust the trunk lid-to-body offset, loosen the trunk lid hinge mounting bolts and make the adjustment.



ASCD003N

## BD-16

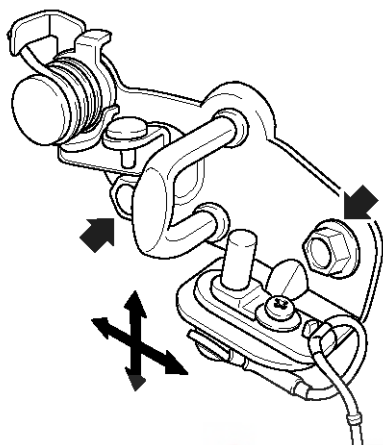
## Body (Interior and Exterior)

### TRUNK LID STRIKER

1. Check that the trunk lid can be closed easily and properly. If there is a problem, loosen the striker mounting bolts and adjust the trunk lid by moving the striker vertically or horizontally.

Tightening torque:

7-11N·m (0.7-1.1kg·m, 5.1-8.0lb·ft)



ASCD003P

2. Adjust the rear offset of the door to the body by moving the trunk lid striker vertically.



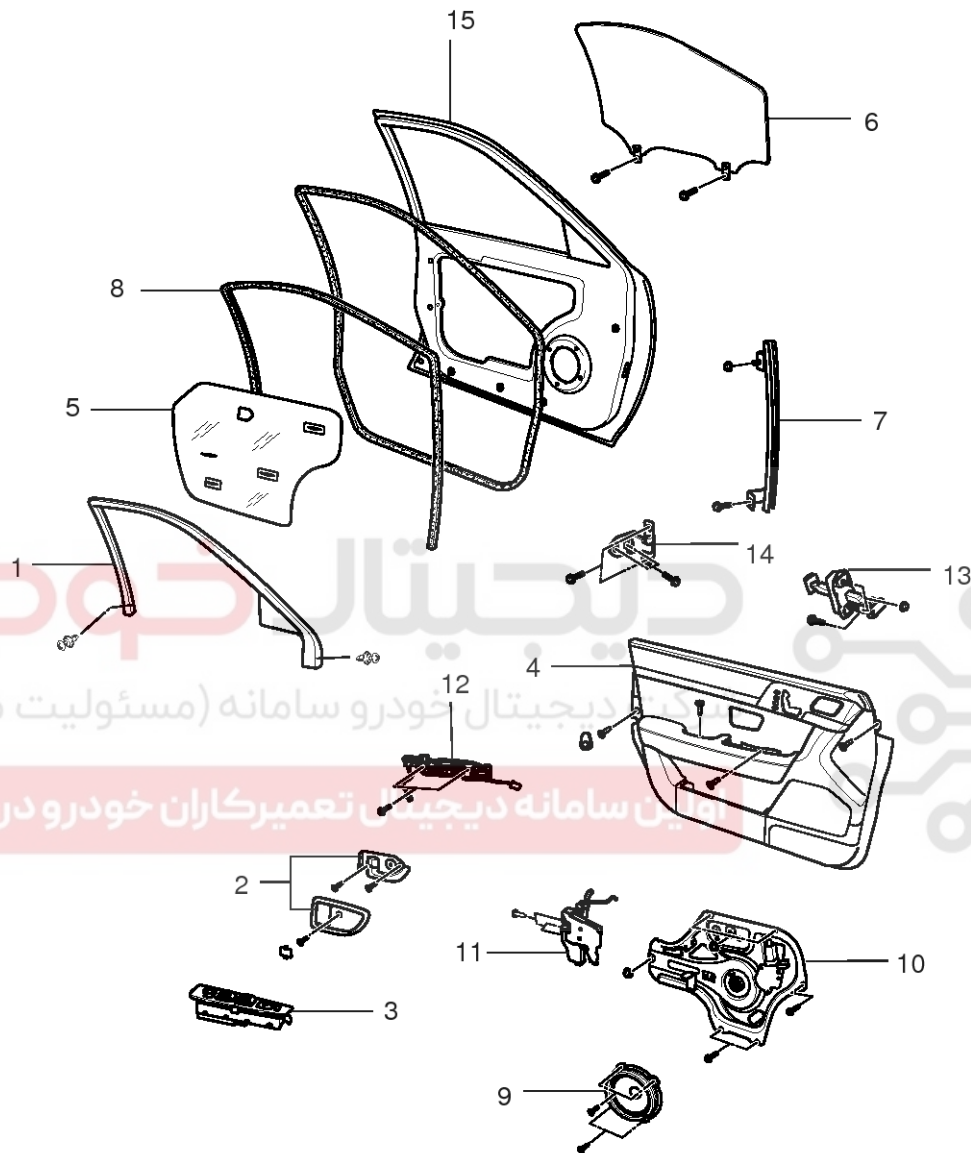
اولین سامانه دیجیتال تعمیرکاران خودرو در ایران

# Exterior

# BD-17

## front door

### COMPONENTS



- |                              |  |
|------------------------------|--|
| 1. Door frame inner cover    | 9. Door speaker                          |
| 2. Door inner handle & Cover | 10. Door module assembly                 |
| 3. Power window switch       | 11. Door latch assembly                  |
| 4. Door trim                 | 12. Outer handle & Key cylinder assembly |
| 5. Door screen               | 13. Door checker                         |
| 6. Window glass              | 14. Door hinge                           |
| 7. Glass guide               | 15. Door frame                           |
| 8. Glass run channel         |  |

LSCD005A

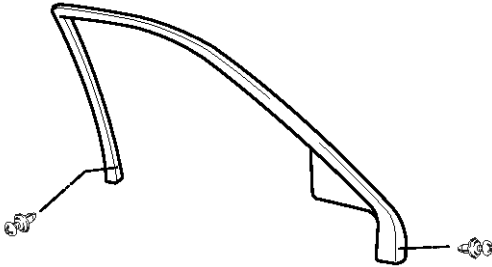


# BD-18

# Body (Interior and Exterior)

## REMOVAL AND INSTALLATION

1. Remove door frame inner cover.
  - 1) Remove door inner cover fasteners(2).

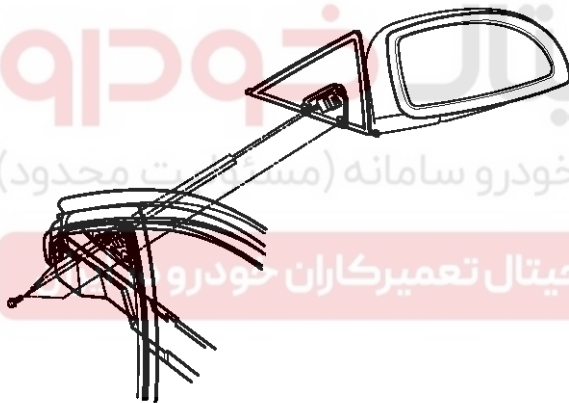


ASCD005B

2. Remove outside rearview mirror.
  - 1) Remove outside rearview mirror screws(3).

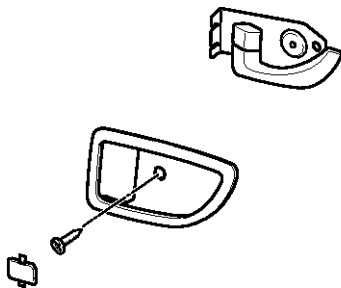
Tightening torque:

7-11N·m (0.7-1.1kg·m, 5.1-8.0lb·ft)



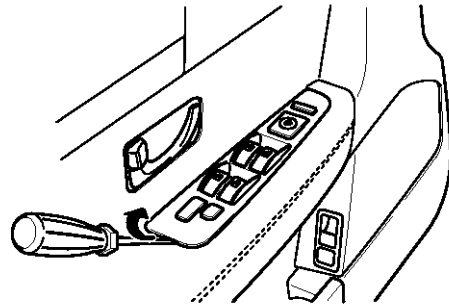
ASCD005C

- 2) Remove outside rearview mirror clip(1).
- 3) Disconnect mirror connector.
3. Remove door inner handle cover.
  - 1) Remove cover and screw.



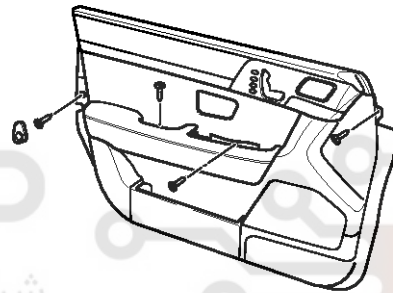
ASCD005D

4. Remove power window switch.
  - 1) Remove power window switch from door trim.



ASCD005E

- 2) Disconnect power window switch connectors(2).
5. Remove door trim.
  - 1) Remove door trim screws(4).

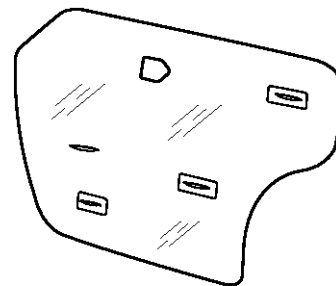


ASCD005F

- 2) Disconnect door trim connector.
6. Remove door screen.

**NOTICE**

Peel door screen off carefully so that it can be reused.

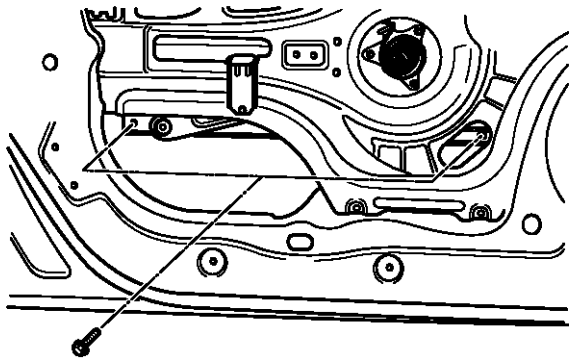


ASCD005G

# Exterior

# BD-19

7. Remove window glass.
  - 1) Reconnect power window switch and safety window ECU connector.
  - 2) Connect negative battery terminal.
  - 3) Turn ignition switch "ON" and set window glass grip bolts on access hole.



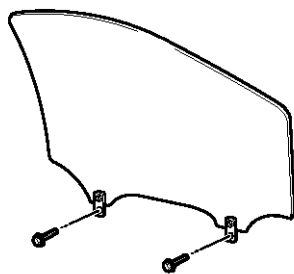
ASCD005H

- 4) Turn ignition switch "OFF".
- 5) Disconnect negative battery terminal.
- 6) Disconnect power window switch and safety window ECU connector.
- 7) Remove window glass grip bolts(2).

**NOTICE**

Remove the glass carefully to avoid breakage.

Tightening torque:  
8-12N·m (0.8-1.2kg·m, 5.8-8.7lb·ft)



ASCD005J

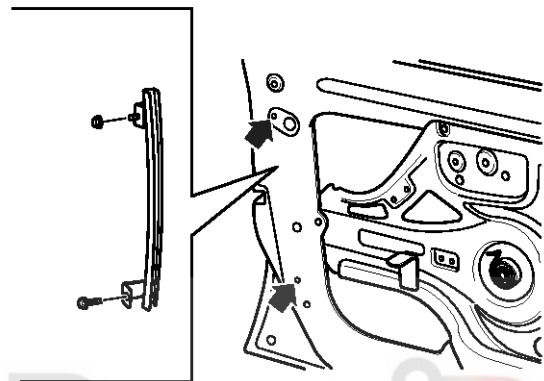
8. Remove window glass guide.
  - 1) Remove glass run channel.

**NOTICE**

When install the glass run channel, use soap and water for lubrication.

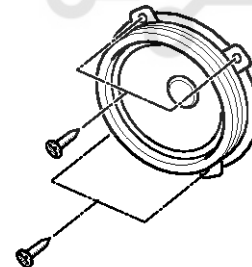
- 2) Remove window glass guide bolt(1) and nut(1).

Tightening torque:  
7-11N·m (0.7-1.1kg·m, 5.1-8.0lb·ft)



ASCD005K

9. Remove door speaker.
  - 1) Remove door speaker screws(4).



ASCD005L

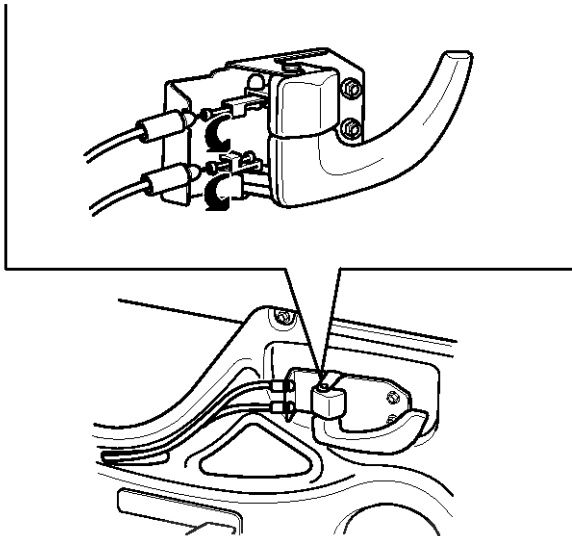
- 2) Disconnect door speaker connector.

# BD-20

# Body (Interior and Exterior)

10. Remove door module assembly.

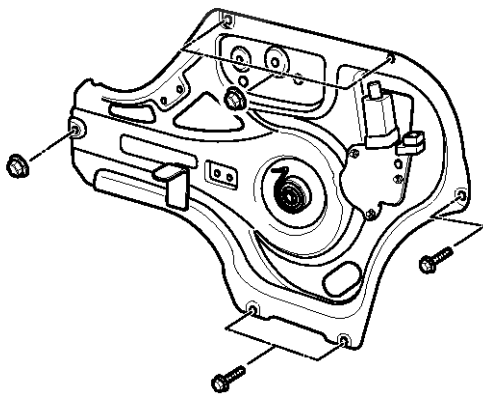
- 1) Disconnect inner handle cables(2).



ASCD005M

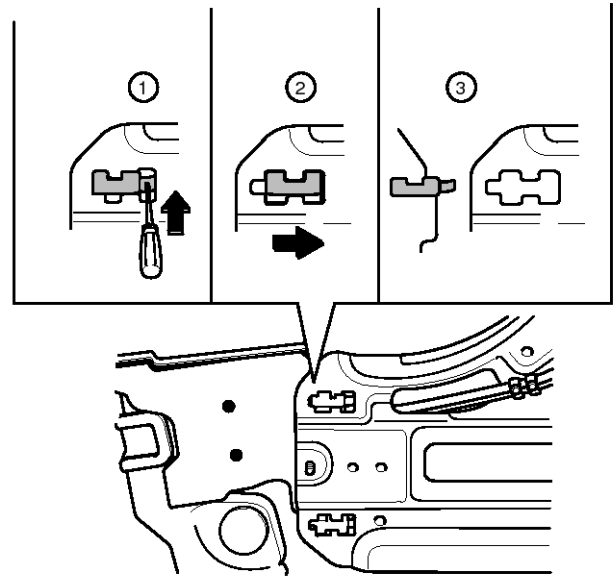
- 2) Disconnect door module connector.
- 3) Remove wire harness from door module assembly.
- 4) Remove door module bolts(3) and nuts(3).

Tightening torque:  
7-11N·m (0.7-1.1kg·m, 5.1-8.0lb·ft)



ASCD005N

5) Separate door module from door latch assembly.

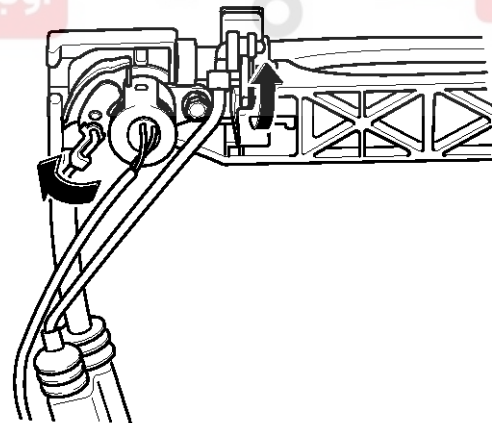


ASCD005P

- ① Push the stopper with a screwdriver.
- ② Push the door module toward the door latch and remove it.

11. Remove door latch.

- 1) Disconnect outer handle rods(2).



ASCD005Q

# Exterior

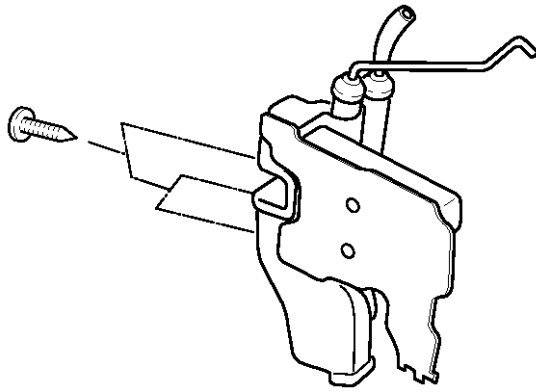
# BD-21

2) Remove door latch screws(3).

Tightening torque

Door latch : 7-11N·m (0.7-1.1kg·m, 5.1-8.0lb·ft)

Door striker : 17-22N·m (1.7-2.2kg·m, 12.3-15.9lb·ft)



ASCD005R

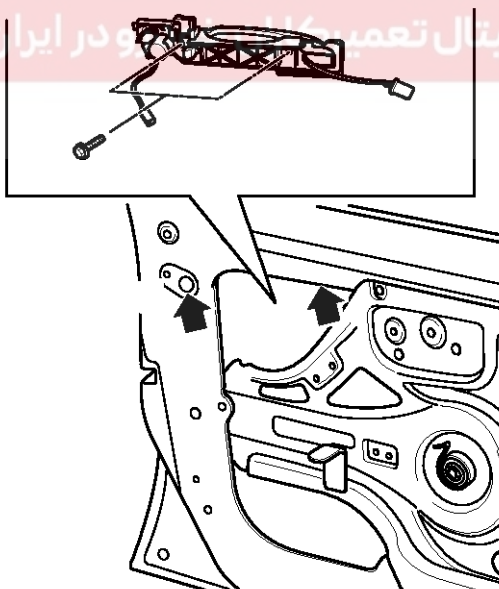
3) Disconnect door latch actuator connector.

12. Remove outer handle.

1) Remove outer handle bolts(2).

Tightening torque:

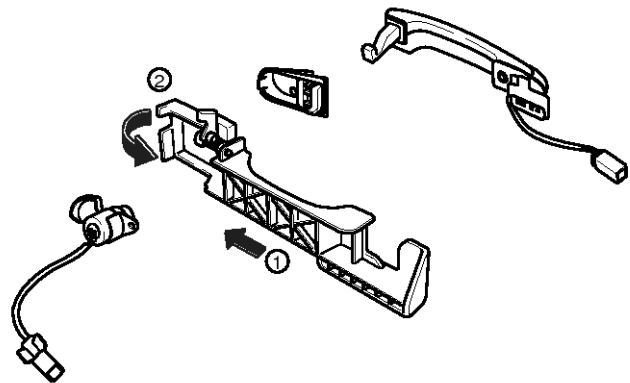
7-11N·m (0.7-1.1kg·m, 5.1-8.0lb·ft)



ASCD005S

2) Remove key cylinder.

3) Remove outer handle base.



ASCD005T

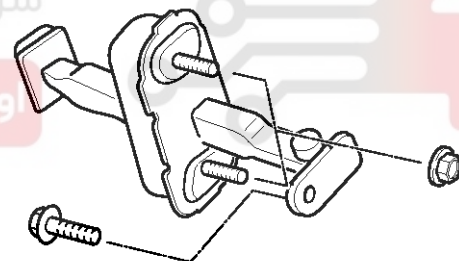
4) Disconnect PIC connector, and then remove outer handle.

13. Remove door checker.

Tightening torque

Body side : 17-22N·m (1.7-2.2kg·m, 12.3-15.9lb·ft)

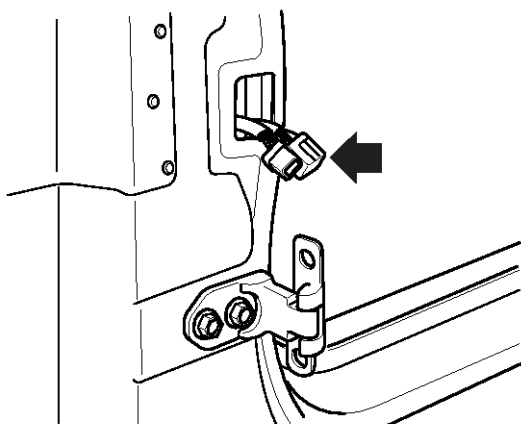
Door side : 7-11N·m (0.7-1.1kg·m, 5.1-8.0lb·ft)



ASCD005U

**BD-22****Body (Interior and Exterior)**

14. Disconnect wire harness connector.



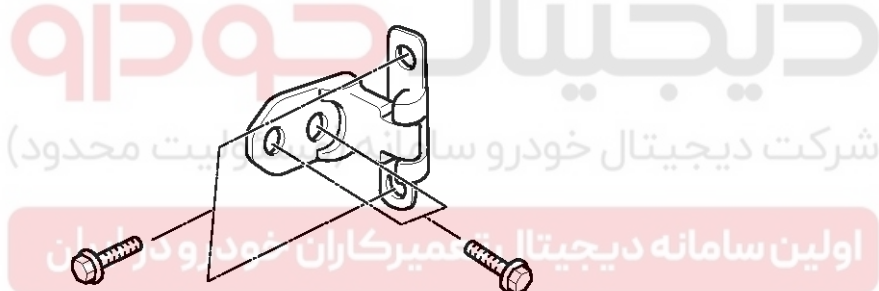
ASCD005V

15. Remove door hinges(2).

Tightening torque

Body side : 35-42N·m (3.5-4.2kg·m, 25.3-30.4lb·ft)

Door side : 10-20N·m (1.0-2.0kg·m, 7.2-14.5lb·ft)



ASCD005W

16. Remove door frame.

17. Install in reverse order of removal.



## Exterior

## BD-23

### ADJUSTMENT

#### DOOR HINGE

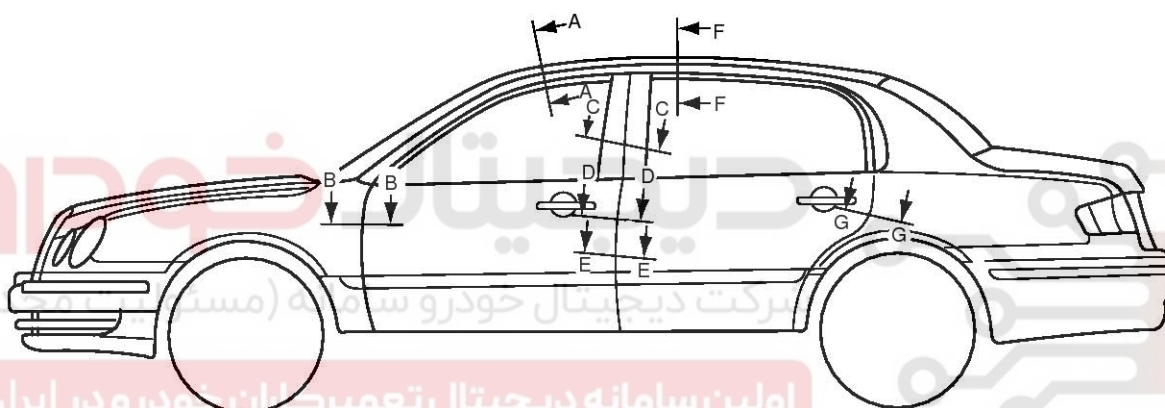
1. Check that the door can be closed easily and properly. If there is a problem, open the door and tighten the door hinge mounting bolts.

Tightening torque:

Body side : 35-42N·m (3.5-4.2kg·m, 25.3-30.4lb-ft)

Door side : 10-20N·m (1.0-2.0kg·m, 7.2-14.5lb-ft)

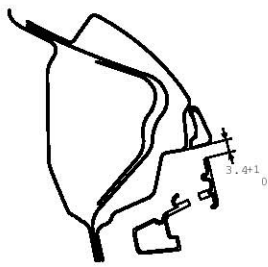
2. To adjust the door-to-body offset, loosen the door hinge mounting bolts and make the adjustment.



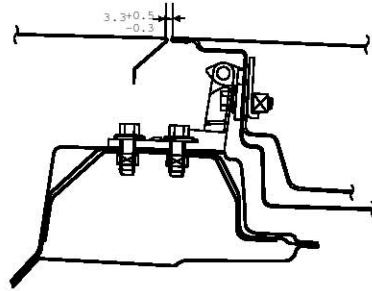
ASCD005X

# BD-24

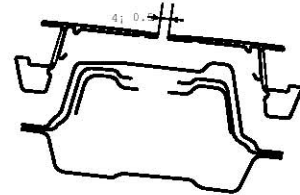
# Body (Interior and Exterior)



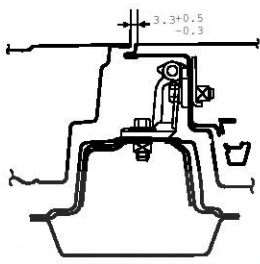
A-A



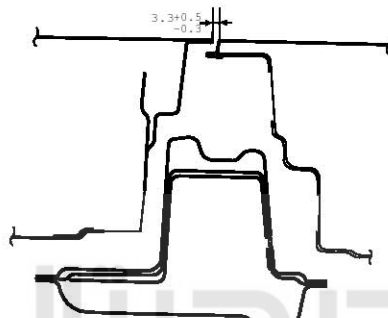
B-B



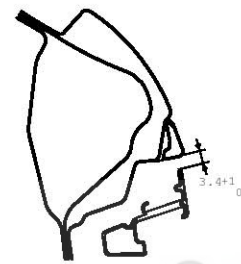
C-C



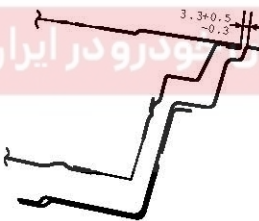
D-D



E-E

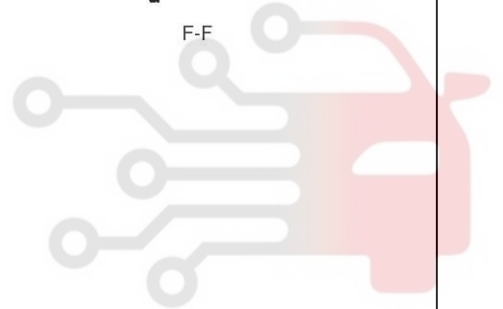


F-F



G-G

دیجی تال خودرو  
شرکت دیجیتال خودرو سامانه (مسئولیت محدود)  
اولین سامانه دیجیتال تعمیرکار خودرو در ایران



ASCD005Y

## Exterior

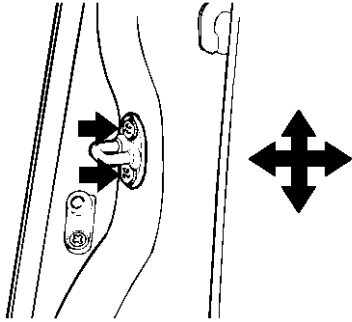
## BD-25

### DOOR STRIKER

1. Check that the door can be closed easily and properly. If there is a problem, loosen the striker mounting bolts and adjust the door by moving the striker vertically or horizontally.

Tightening torque:

17-22N·m (1.7-2.2kg·m, 12.3-15.9lb·ft)



ASCD005Z

2. Adjust the rear offset of the door to the body by moving the striker horizontally.

# دیجیتال خودرو

شرکت دیجیتال خودرو سامانه (مسئولیت محدود)

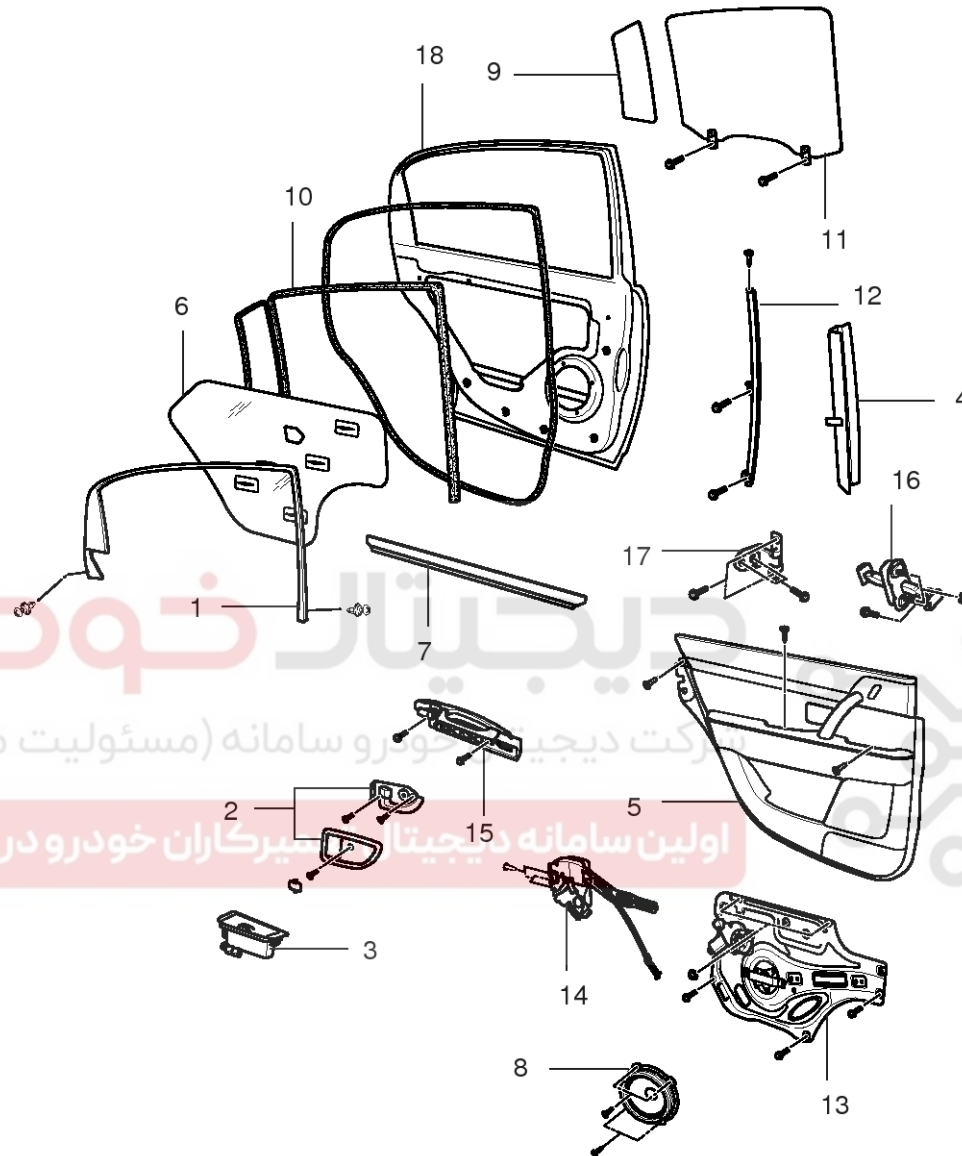
اولین سامانه دیجیتال تعمیرکاران خودرو در ایران





**BD-26****Body (Interior and Exterior)**

rear door

**COMPONENTS**

1. Door frame inner cover
2. Door inner handle & Cover
3. Ashtray
4. Door curtain
5. Door trim
6. Door screen
7. Belt inner weatherstrip
8. Door speaker
9. Fixed glass

10. Glass run channel
11. Window glass
12. Glass guide
13. Door module assembly
14. Door latch assembly
15. Door outer handle
16. Door checker
17. Door hinge
18. Door frame

LSCD006A

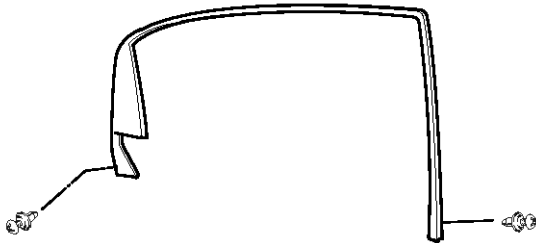
# Exterior

# BD-27

## REMOVAL AND INSTALLATION

1. Remove door frame inner cover.

- 1) Remove door curtain hock.
- 2) Remove door frame inner cover.

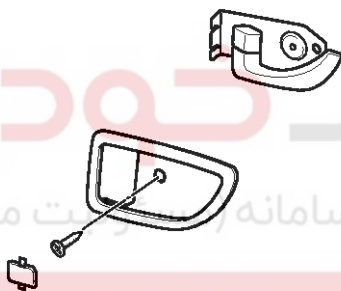


ASCD006B

3) Disconnect actuator connector.

2. Remove door inner handle cover.

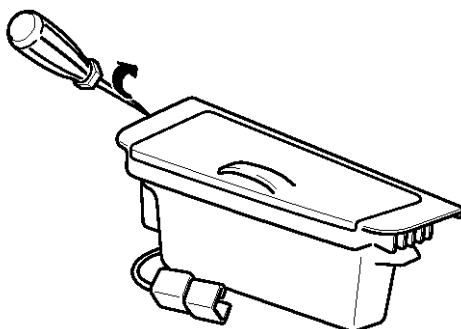
- 1) Remove cover and screw.



ASCD005D

3. Remove ashtray.

- 1) Remove ashtray from door trim.



ASCD006C

- 2) Disconnect ashtray lamp connector.

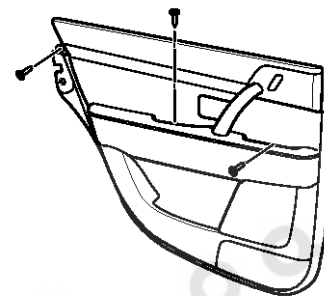
4. Remove door curtain.



ASCD006D

5. Remove door trim.

- 1) Remove door trim screws(3).



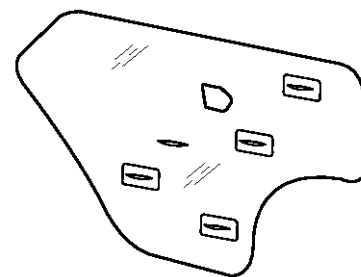
ASCD006E

- 2) Disconnect door trim connector.

6. Remove door screen.

### NOTICE

Peel door screen off carefully so that it can be reused.

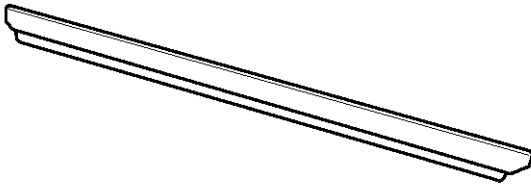


ASCD006F

## BD-28

## Body (Interior and Exterior)

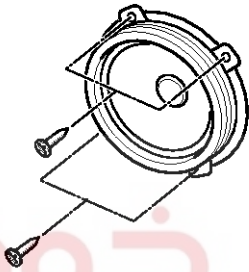
7. Remove belt inner weatherstrip.



ASCD006G

8. Remove door speaker.

1) Remove door speaker screws(4).



ASCD005L

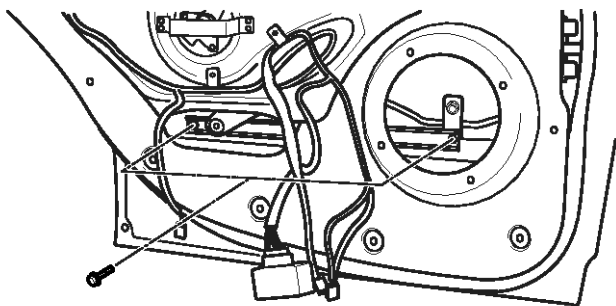
2) Disconnect door speaker connector.

9. Remove window glass.

1) Reconnect power window switch and safety window ECU connector.

2) Connect negative battery terminal.

3) Turn ignition switch "ON" and set window glass grip bolts on access hole.



ASCD006H

4) Turn ignition switch "OFF".

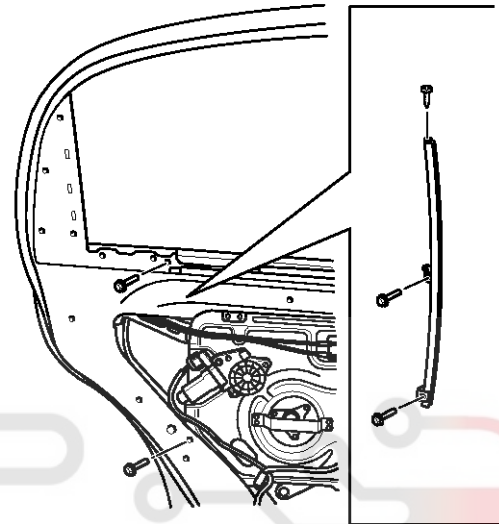
5) Disconnect negative battery terminal.

6) Disconnect power window switch and safety window ECU connector.

7) Remove glass guide bolts(2) and screw(1).

Tightening torque:

7-11N·m (0.7-1.1kg·m, 5.1-8.0lb·ft)



ASCD006J

8) Remove fixed glass.



ASCD006K

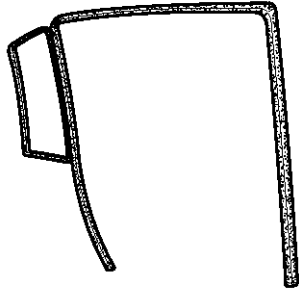
## Exterior

## BD-29

- 9) Remove glass run channel.

### NOTICE

When install the glass run channel, use soap and water for lubrication.



ASC006L

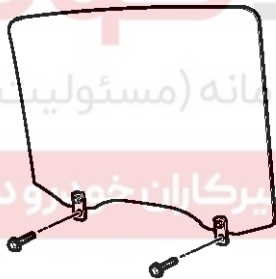
- 10) Remove window glass grip bolts(2).

### CAUTION

Remove the glass carefully to avoid breakage.

Tightening torque:

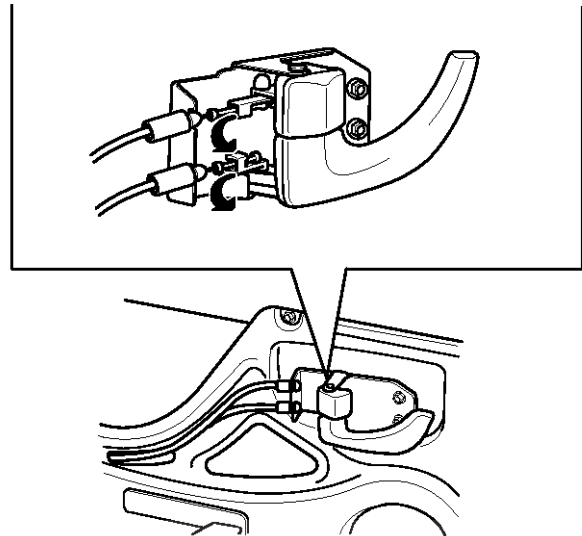
8-12N·m (0.8-1.2kg·m, 5.8-8.7lb·ft)



ASC006M

10. Remove door module assembly.

- 1) Disconnect inner handle cables(2).

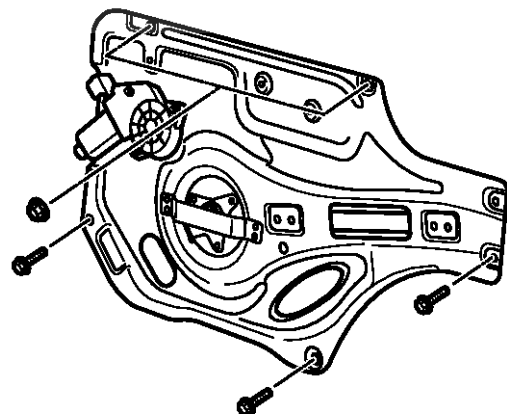


ASC005M

- 2) Disconnect door module connector.  
3) Remove wire harness from door module assembly.  
4) Remove door module bolts(3) and nuts(2).

Tightening torque:

7-11N·m (0.7-1.1kg·m, 5.1-8.0lb·ft)



ASC006N

# BD-30

# Body (Interior and Exterior)

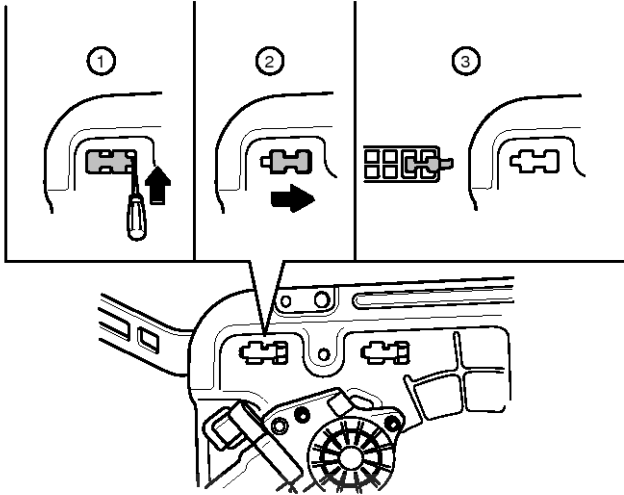
5) Separate door module assembly from door latch assembly.

12. Remove outer handle.

1) Remove outer handle bolts(2).

Tightening torque:

7-11N·m (0.7-1.1kg·m, 5.1-8.0lb·ft)



ASCD006P

- ① Push the stopper with a screwdriver.
- ② Push the door module toward the door latch and remove it.

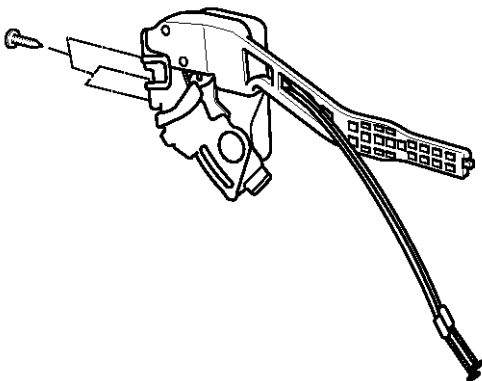
11. Remove door latch assembly.

1) Remove door latch screws(3).

Tightening torque

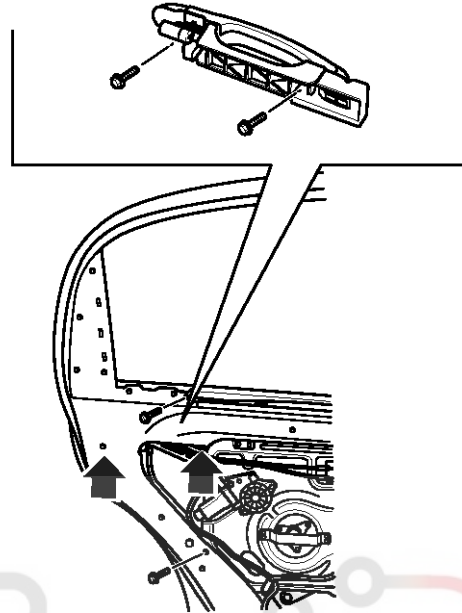
Door latch : 7-11N·m (0.7-1.1kg·m, 5.1-8.0lb·ft)

Door striker : 17-22N·m (1.7-2.2kg·m, 12.3-15.9lb·ft)



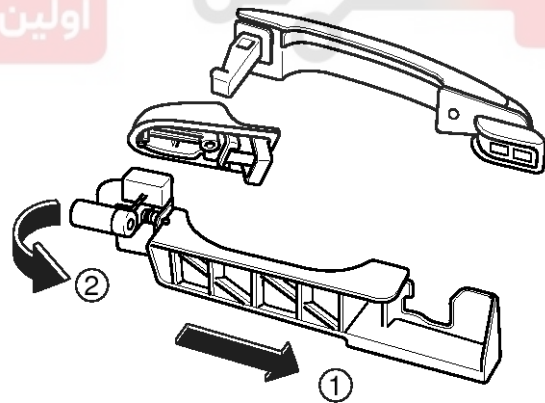
ASCD006Q

2) Disconnect door latch actuator connector.



ASCD006S

2) Remove outer handle base.



ASCD006T

## Exterior

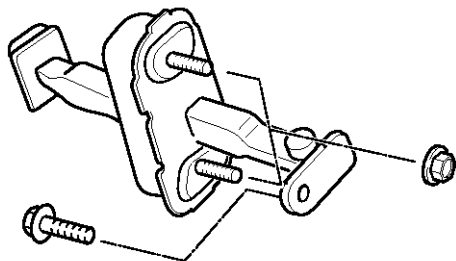
## BD-31

13. Remove door checker.

Tightening torque

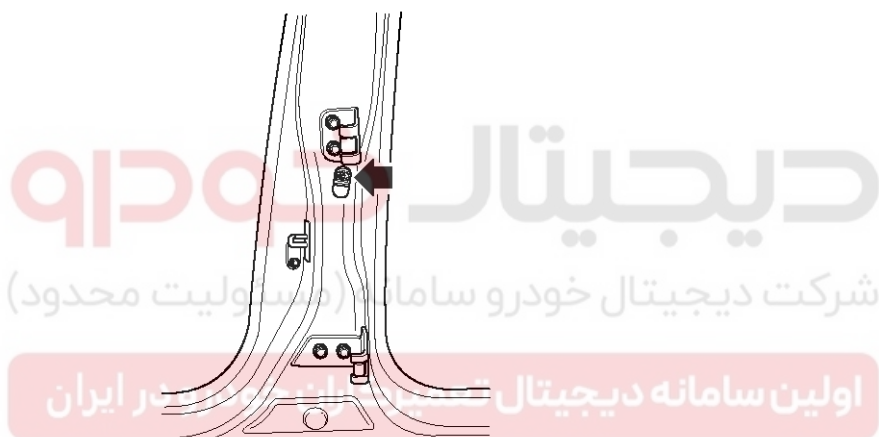
Body side : 17-22N·m (1.7-2.2kg·m, 12.3-15.9lb·ft)

Door side : 7-11N·m (0.7-1.1kg·m, 5.1-8.0lb·ft)



ASCD005U

14. Disconnect wire harness connector.



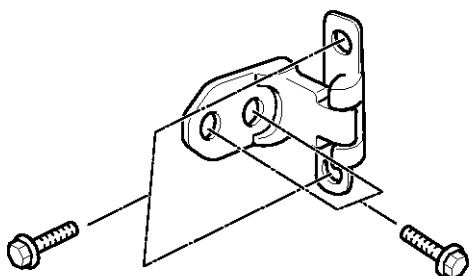
ASCD006U

15. Remove door hinges(2).

Tightening torque

Body side : 35-42N·m (3.5-4.2kg·m, 25.3-30.4lb·ft)

Door side : 10-20N·m (1.0-2.0kg·m, 7.2-14.5lb·ft)



ASCD005W

16. Remove door frame.

17. Install in reverse order of removal.

**BD-32****Body (Interior and Exterior)****ADJUSTMENT****DOOR HINGE**

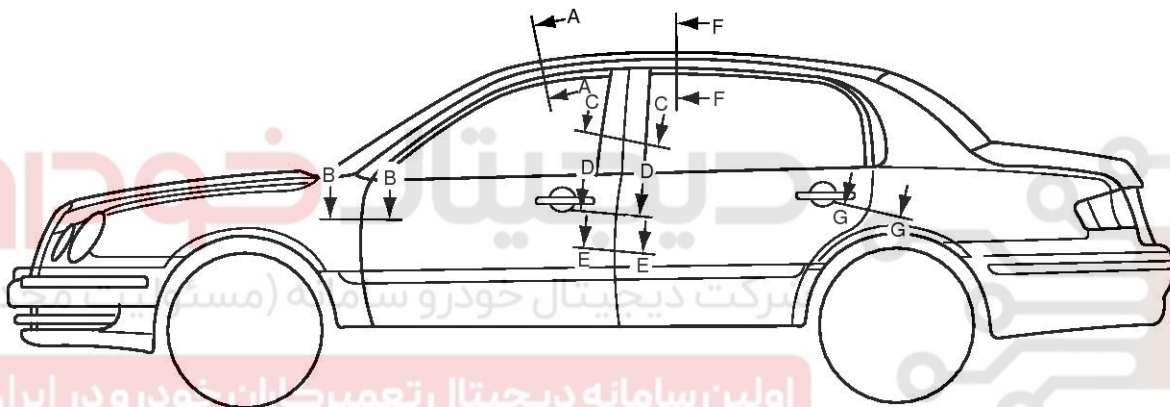
1. Check that the door can be closed easily and properly. If there is a problem, open the door and tighten the door hinge mounting bolts.

Tightening torque:

Body side : 35-42N·m (3.5-4.2kg·m, 25.3-30.4lb-ft)

Door side : 10-20N·m (1.0-2.0kg·m, 7.2-14.5lb-ft)

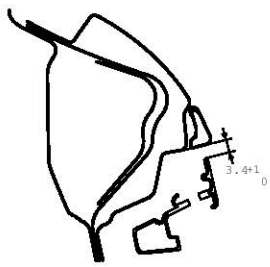
2. To adjust the door-to-body offset, loosen the door hinge mounting bolts and make the adjustment.



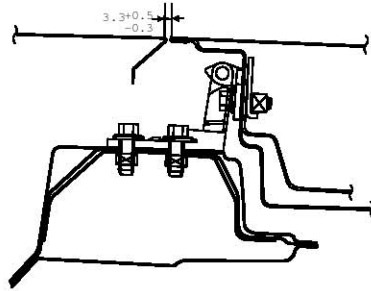
ASCD005X

Exterior

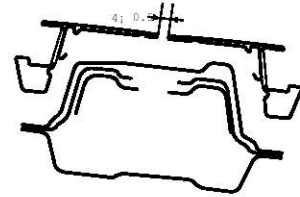
BD-33



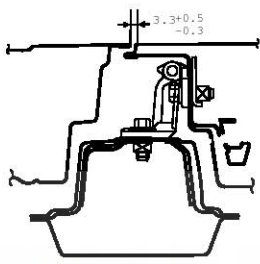
A-A



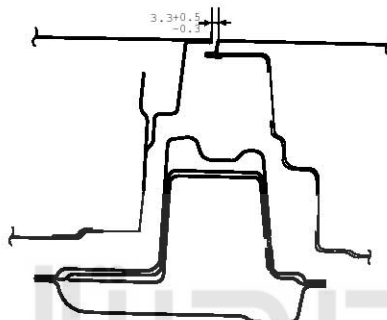
B-B



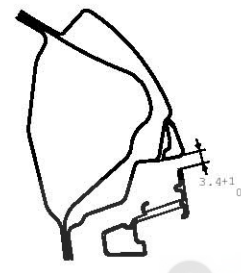
C-C



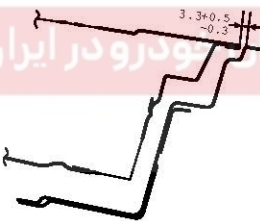
D-D



E-E



F-F



G-G

شرکت دیجیتال خودرو سامانه (مسئولیت محدود)

اولین سامانه دیجیتال تعمیرکاران خودرو در ایران

ASCD005Y



## BD-34

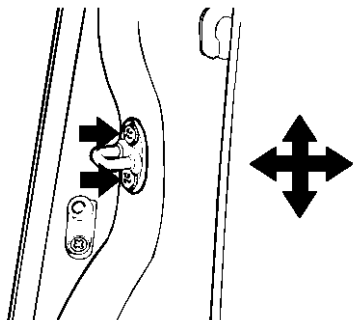
## Body (Interior and Exterior)

### DOOR STRIKER

1. Check that the door can be closed easily and properly. If there is a problem, loosen the striker mounting bolts and adjust the door by moving the striker vertically or horizontally.

Tightening torque:

17-22N·m (1.7-2.2kg·m, 12.3-15.9lb·ft)



ASCD005Z

2. Adjust the rear offset of the door to the body by moving the striker horizontally.

# دیجیتال خودرو

شرکت دیجیتال خودرو سامانه (مسئولیت محدود)

اولین سامانه دیجیتال تعمیرکاران خودرو در ایران

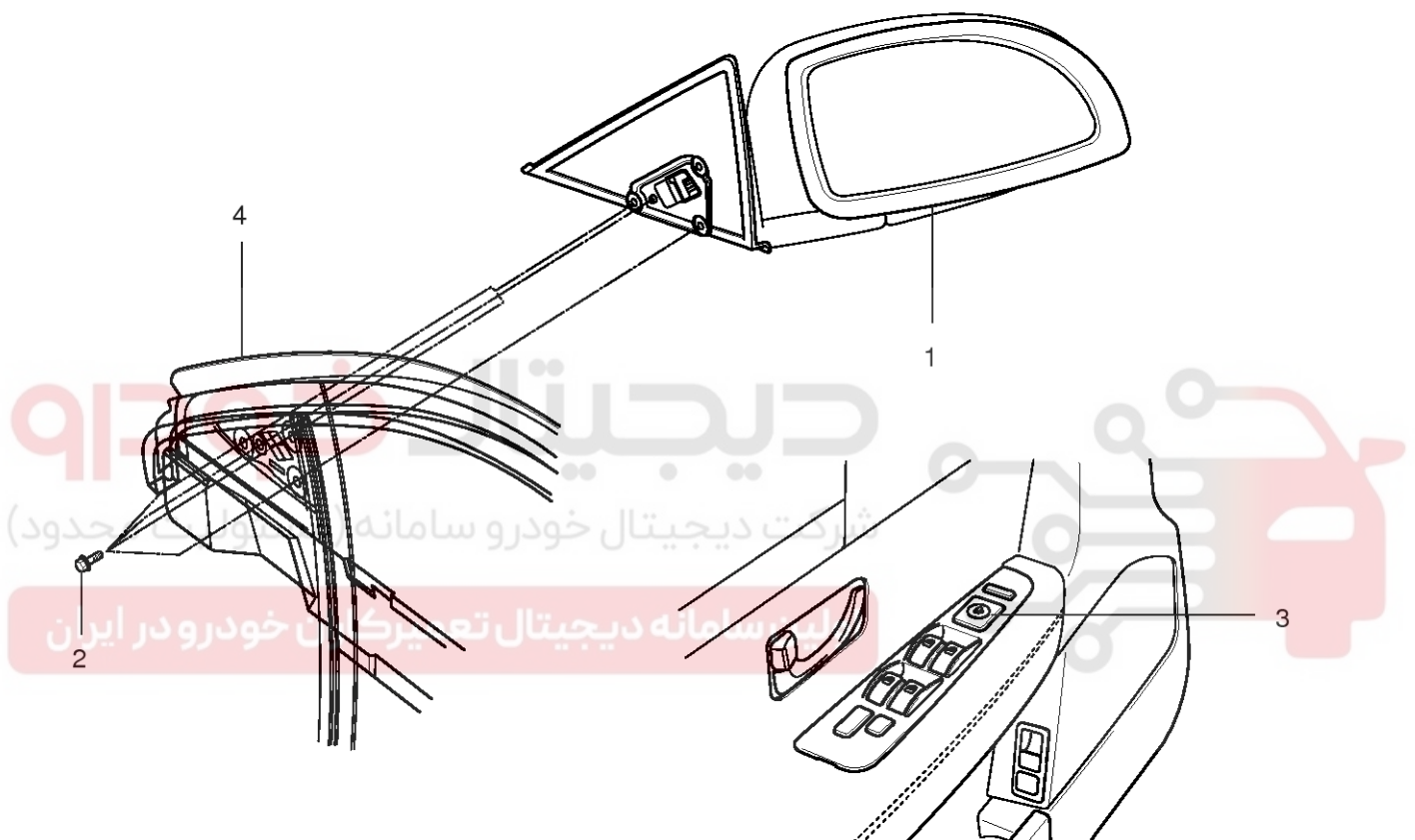


# Exterior

# BD-35

mirror

## COMPONENTS



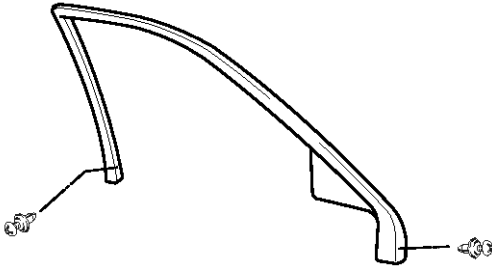
1. Outside rear view mirror
2. Outside rearview mirror mounting bolt

3. Outside rearview mirror switch
4. Door trim

LSCD009A

**BD-36****Body (Interior and Exterior)****REMOVAL AND INSTALLATION**

1. Disconnect negative battery terminal.
2. Remove door frame inner cover.

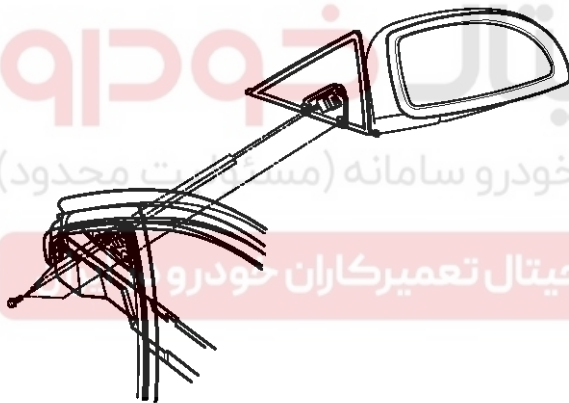


ASCD005B

3. Remove outside rearview mirror.
  - 1) Remove outside rearview mirror screws(3).

Tightening torque:

7-11N·m (0.7-1.1kg·m, 5.1-8.0lb·ft)



ASCD005C

- 2) Remove outside rearview mirror clip(1).
  - 3) Disconnect mirror connector.
4. Install in reverse order of removal.

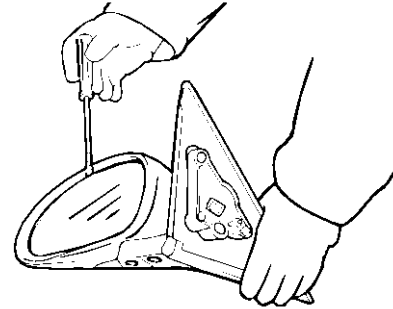
**DISASSEMBLY**

1. Remove mirror.

**CAUTION**

**Wear gloves to remove and install the mirror holder.**

- 1) Insert flat bladed screwdriver between the outside rearview mirror holder and the mirror assembly.



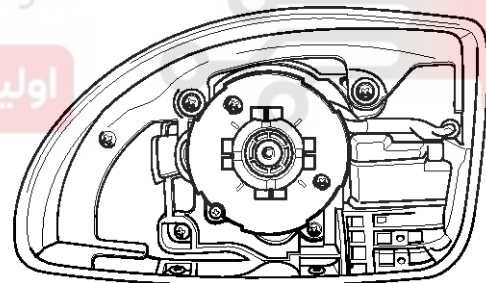
ASCD009C

2. Remove outside rearview mirror actuator.

**CAUTION**

**When prying with a flat bladed screwdriver, wrap it with a shop towel to prevent damage.**

- 1) Remove the outside rearview mirror actuator from the outside rearview mirror housing.



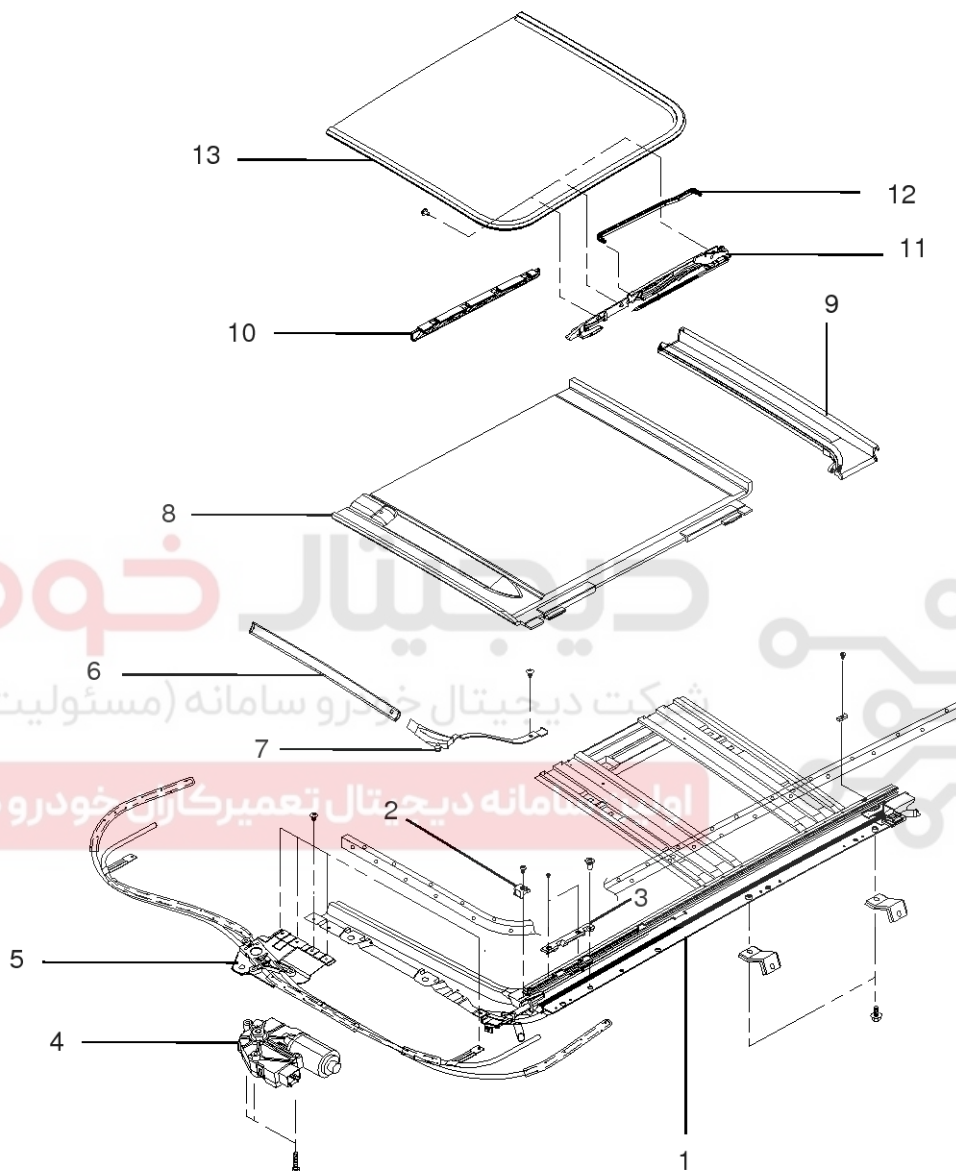
ASCD009B

- 2) When remove the outside rearview mirror actuator, take care of damage of electric wires.

# Sun Roof

# BD-37

## Sun Roof COMPONENTS



- 1. Sunroof sub frame
- 2. Front stopper
- 3. Setting plate
- 4. Motor
- 5. Drive unit

- 6. Deflector
- 7. Deflector link
- 8. Sunshade
- 9. Drip rail
- 10. Decoration cover

- 11. Guide
- 12. Drip link
- 13. Glass panel

BSCE008A

## BD-38

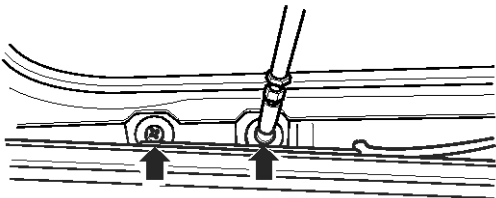
## Body (Interior and Exterior)

## REMOVAL AND INSTALLATION

1. To remove the sunroof, first remove the following parts:
  - 1) Overhead console lamp.
  - 2) Sunvisor and assist grip handle.
  - 3) Pillar trims.
  - 4) Headlining assembly.
2. Remove sunroof glass.
  - 1) Remove decoration cover.
  - 2) Remove sunroof glass mounting screws (6).

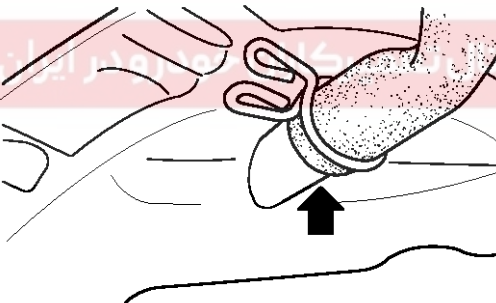
Tightening torque:

2-4N·m (0.2-0.4kg·m, 1.5-2.9lb·ft)



BSC008B

3. (Disconnect drain hose.)



BSC008C

4. Remove sunroof assembly.

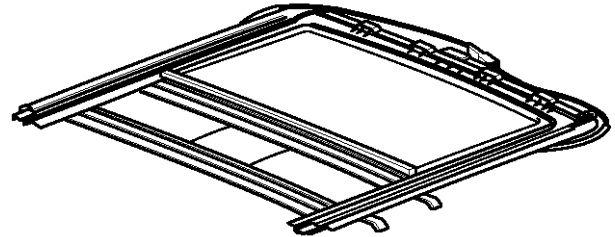
- 1) Remove bolt and nut.

Tightening torque:

7-9 N·m (0.7-0.9kg·m, 5.1-6.5lb·ft)

**NOTICE**

*When removing the sunroof assembly, carefully pull out the sunroof assembly to avoid damage to the other parts.*



BSC008D

# Sun Roof

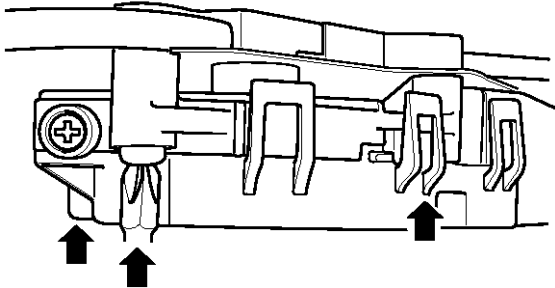
# BD-39

## DISASSEMBLY

1. Remove motor.

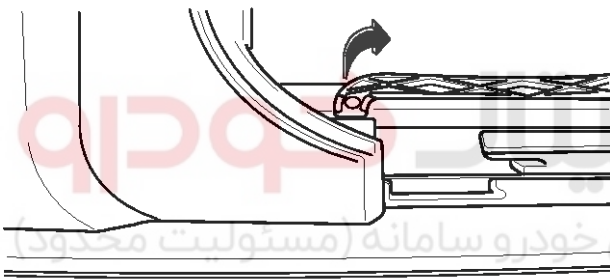
### CAUTION

When removing the motor, the guide assembly should always be in the fully closed position.



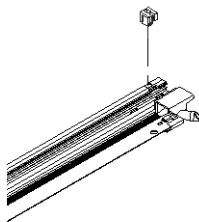
BSCE008E

2. Remove drip link.



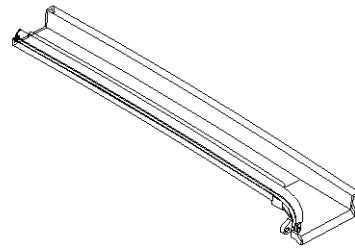
BSCE008F

3. Remove stopper.



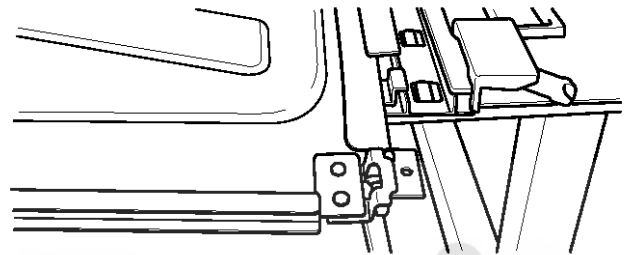
BSCE008G

4. Remove drip rail.



BSCE008H

5. Remove sunshade.

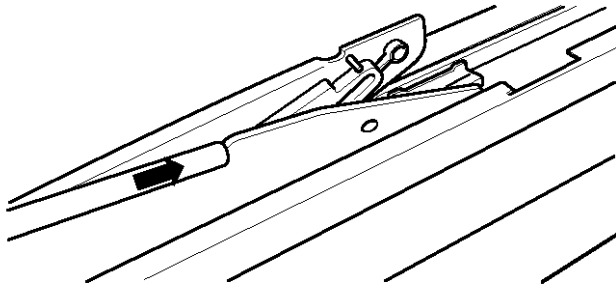


BSCE008J

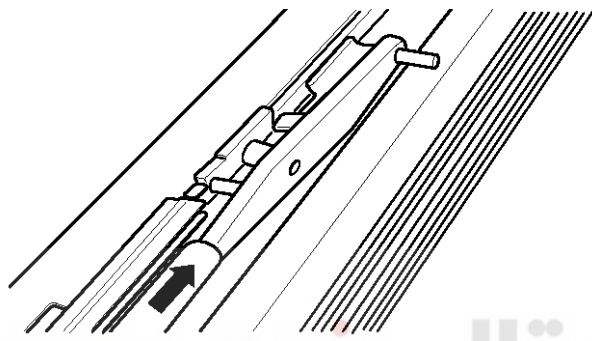
# BD-40

# Body (Interior and Exterior)

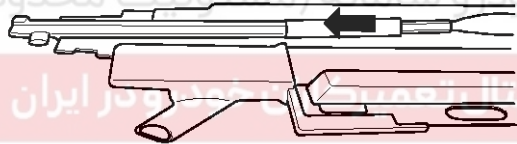
6. Remove slider.



BSCE008K

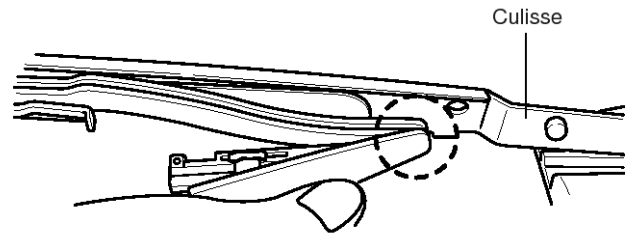


BSCE008L



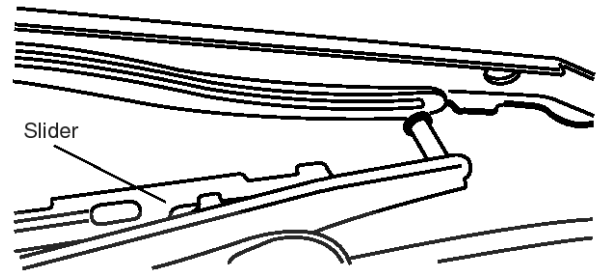
BSCE008M

7. Remove culisse and slider.



Culisse

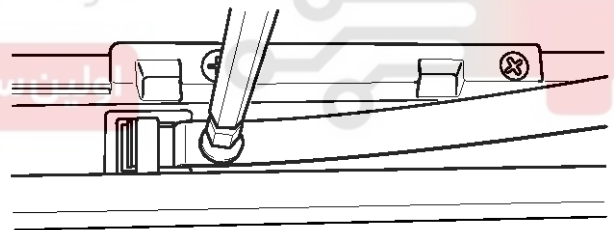
BSCE008N



Slider

BSCE008P

8. Remove deflector.



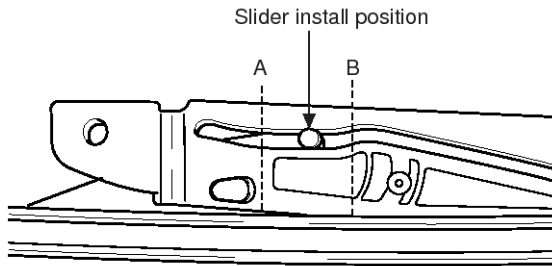
BSCE008Q

# Sun Roof

# BD-41

## REASSEMBLY

1. Install in reverse order of removal.
2. Align the position of slider when installing the motor.  
: Be sure to align the center 'A' and 'B'.

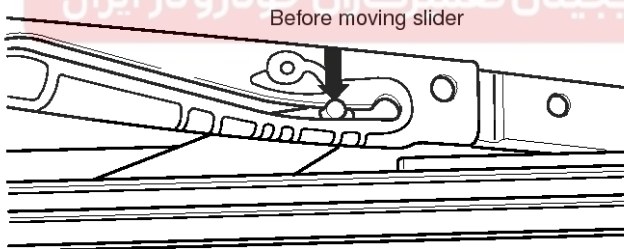


BSCE008R

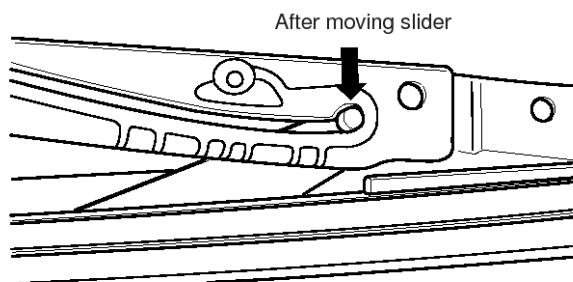
### CAUTION

**Be sure to initiate the motor when removing and installing it.**

3. Method of motor initialization.
  - 1) Confirm the installation of glass.  
: The state of finishing gap control.
  - 2) Press the "Up" switch. (The state of pressing switch).  
: After pressing "Up" switch for 3-5 seconds, the slider must be moved 5mm forward and returned original position then, release the switch.

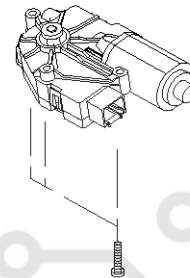


BSCE008S



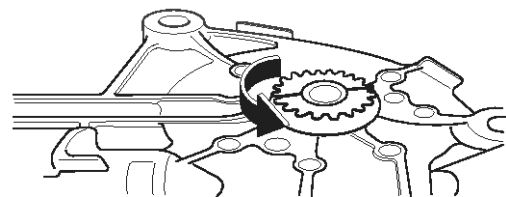
BSCE008T

- 3) Switch "UP" again(Switch is being pressed). If all conditions are normal, sunroof will open and close once.
- 4) It makes initializing done to convert switch "UP" into "OFF" when the sunroof is closed.
4. The time to save initialization.
  - 1) When operate the sunroof is operated for the first time.
  - 2) When initial data is deleted or damaged by discharg or discontinuane of supply power.
  - 3) When the sunroof is operated manually.
5. Incase that "TILT" doesn't operate when pressing TILT switch after the sunroof is closed on vehicle, refer to the following procedures.
  - 1) Remove sunroof motor.



BSCE008U

- 2) Adjust the motor to the stopping point, pressing the close switch.



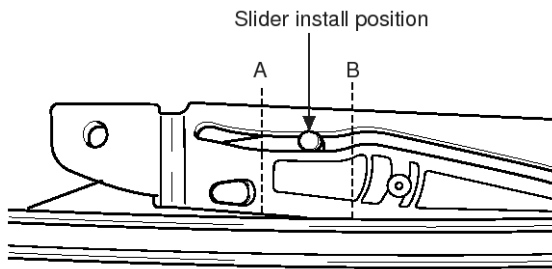
BSCE008V



## BD-42

## Body (Interior and Exterior)

- 3) Install motor after adjusting the position of slide as shown in the figure.



BSCE008R

- 4) Initialize motor according to the way of initialization.

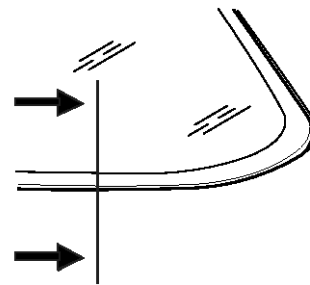
## ADJUSTMENT

Adjust the difference between the height of the glass weatherstrip and the roof panel.

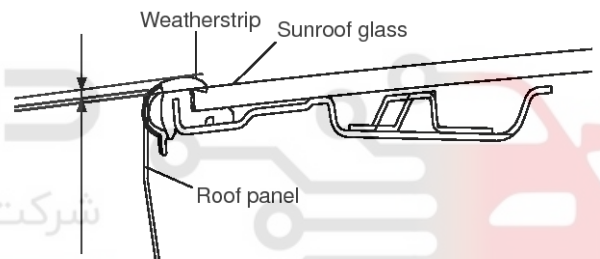
Front side : 0 - 1.4 mm

Rear side : 1.0 - 1.4 mm

If the difference is not as specified, adjust using the following procedure.

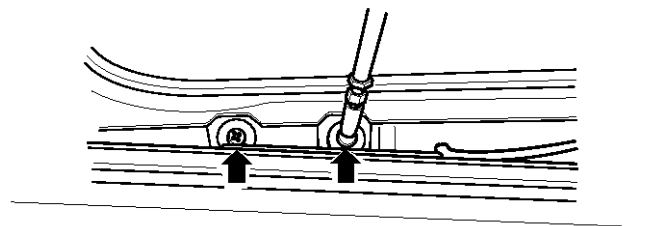


BSCE008W



BSCE008X

1. Loosen the front screw and rear screw. Adjust the height between the glass panel and roof panel.



BSCE008B

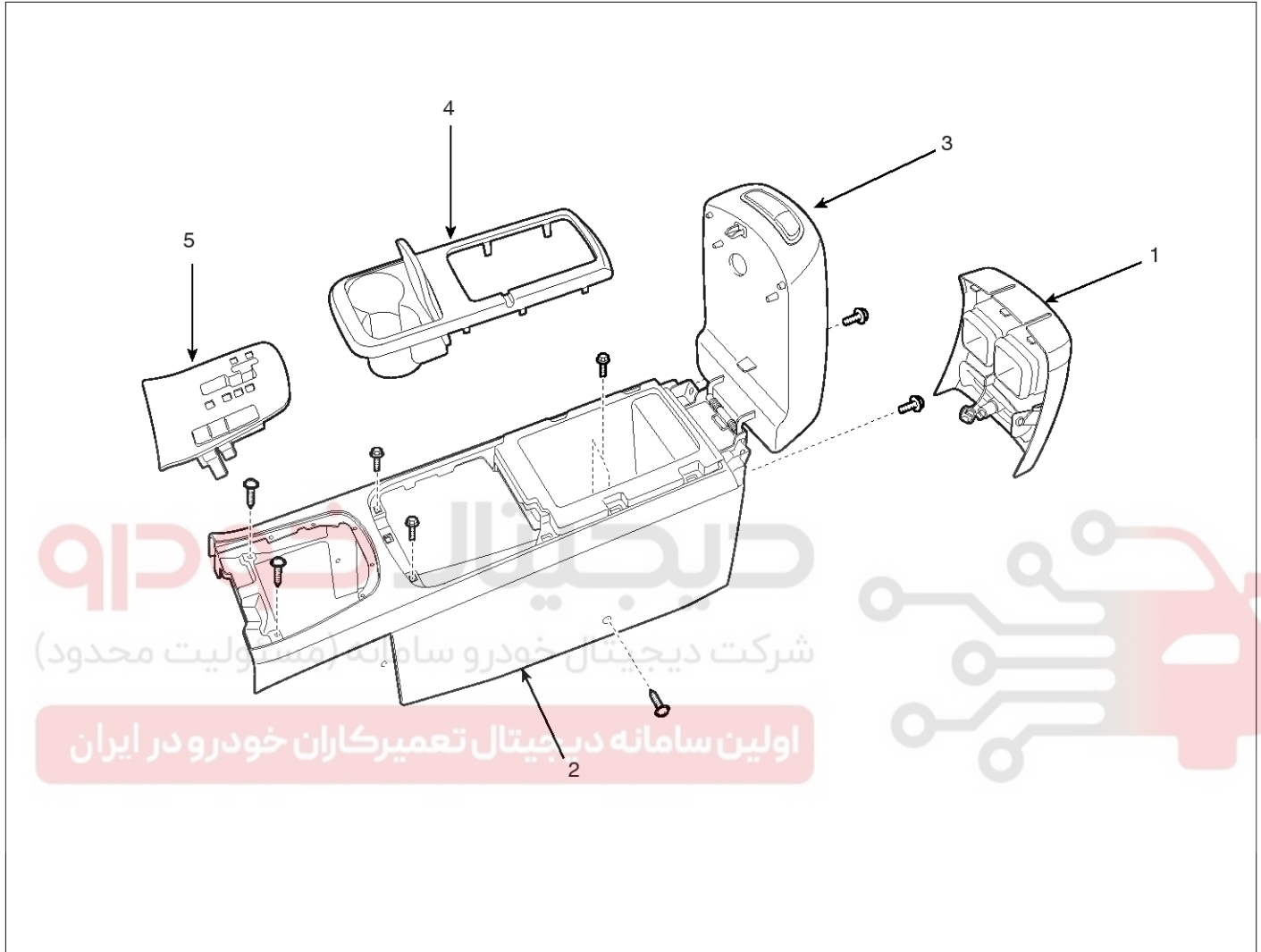
# Interior

# BD-43

## Interior

### Console

#### COMPONENTS



- 1. Console rear cover
- 2. Console assembly
- 3. Armrest

- 4. Console upper cover
- 5. Console upper cover

SGHBD6500N

# BD-44

# Body (Interior and Exterior)

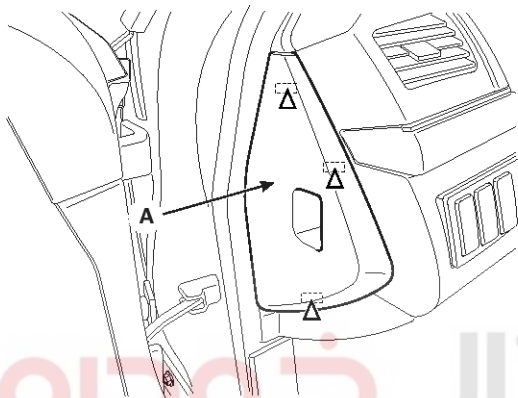
## REPLACEMENT

### NOTICE

- Use a suitable trim tool (not, screwdriver) when removing interior trim components
- Put on gloves to protect your hands.

1. Remove the crash pad side cover (A).

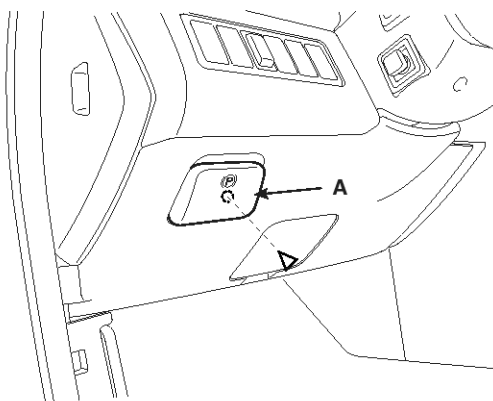
▷: Clip locations



SGHBD6001L

2. After loosening the mounting screw, then remove the parking brake knob (A).

▷: Screw locations



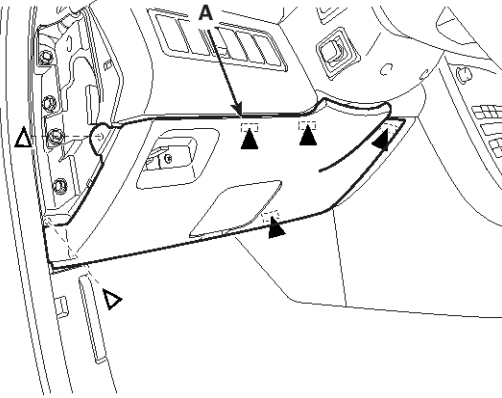
SGHBD6002L

3. After loosening the mounting screws, then remove the lower panel (A).

Fastener Locations

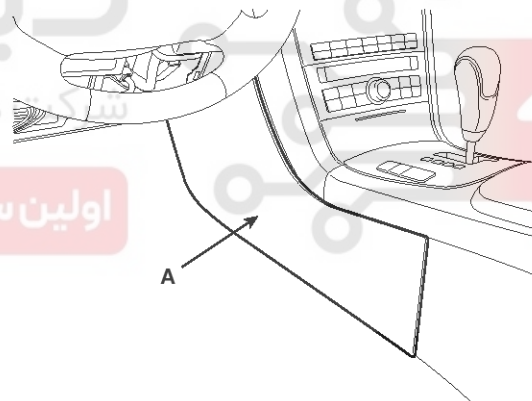
▷: Screw

▷: Clip



SGHBD6003L

4. Remove the console side cover (A).

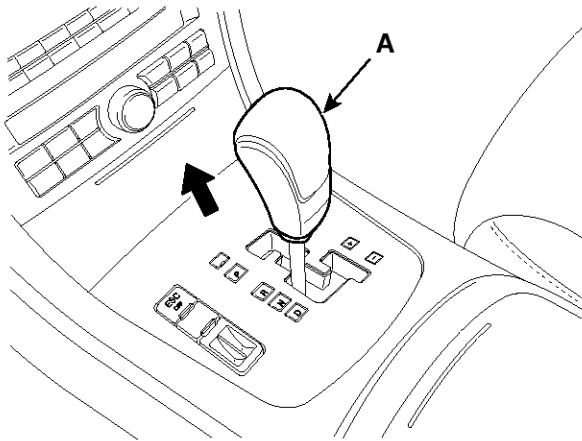


SGHBD6004D

# Interior

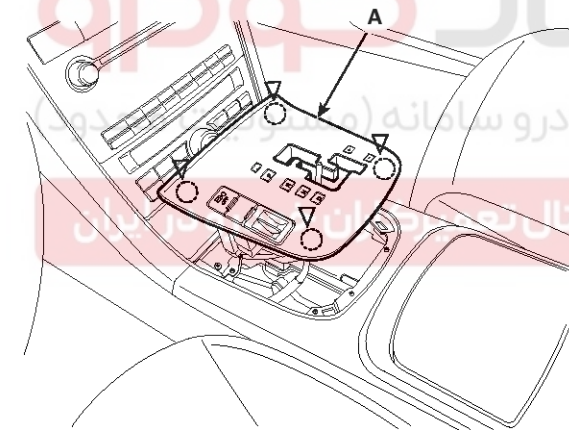
# BD-45

5. Pull the knob (A) up, remove it.



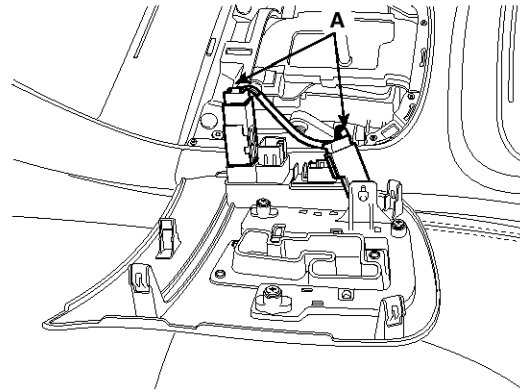
SGHBD6005N

6. Using a screwdriver, remove the console under cover (A).



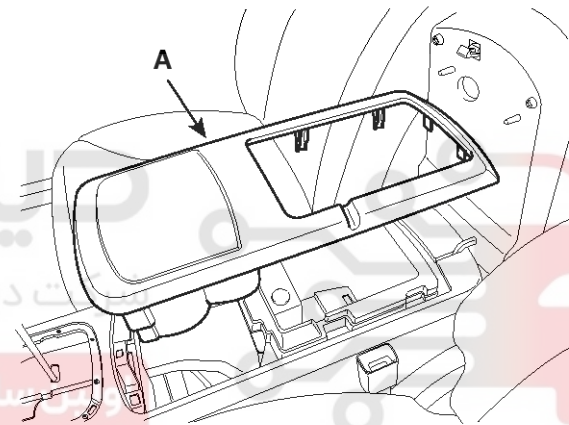
SGHBD6006N

7. Disconnect the connector (B).



SGHBD6007N

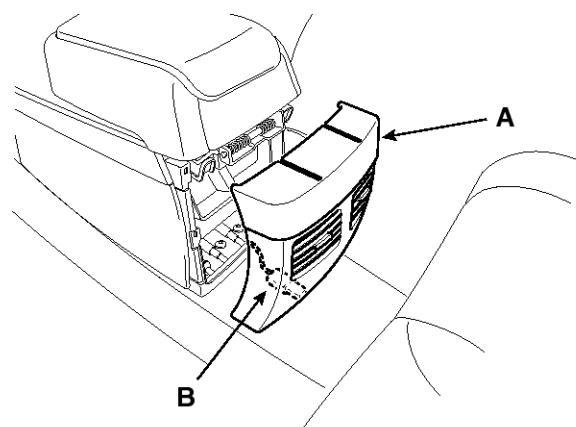
8. Remove the console under cover (A).



SGHBD6008N

9. Remove the console rear cover (A).

10. Disconnect the connector (B).



SGHBD6009N

# BD-46

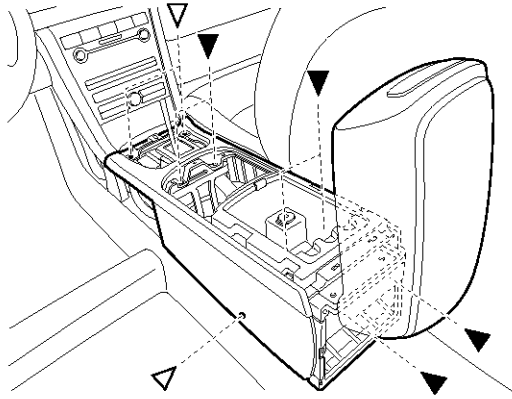
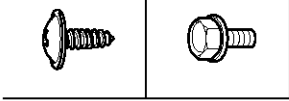
# Body (Interior and Exterior)

11. After loosening the mounting screws and bolts, then remove the lower panel (A).

**Fastener Locations**

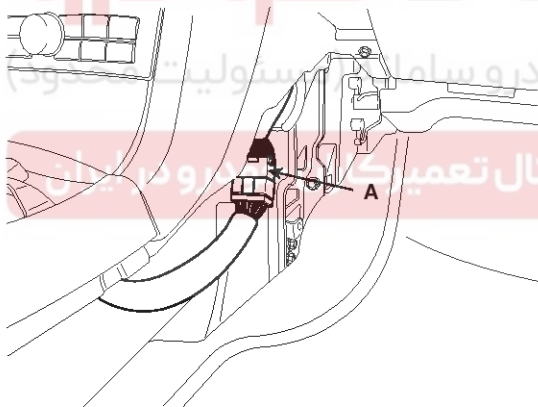
▷ : Screw

▶ : Bolt



SGHBD6012N

12. Disconnect the console main harness connector (A).



SGHBD6013D

13. Installation is the reverse of removal.

**NOTICE**

- Make sure the connector is plugged in properly.
- Replace any damaged clips.
- When you assemble the gearshift lever knob, strike it with a rubber hammer after inserting the gearshift knob in a lever.

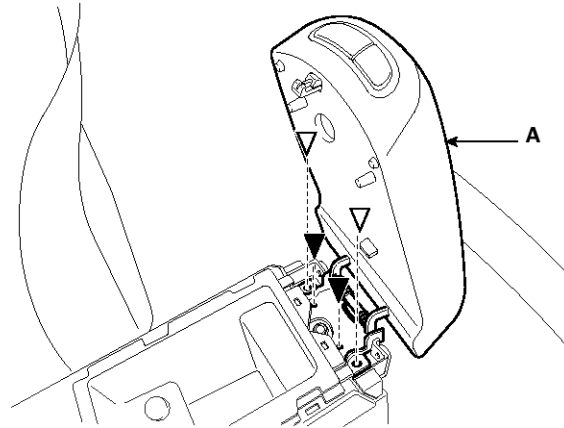
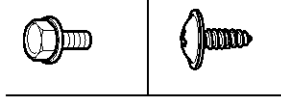
## ARMREST REPLACEMENT

1. After loosening the mounting screws and bolts, then remove the armrest (A).

**Fastener Locations**

▷ : Bolt

▶ : Screw



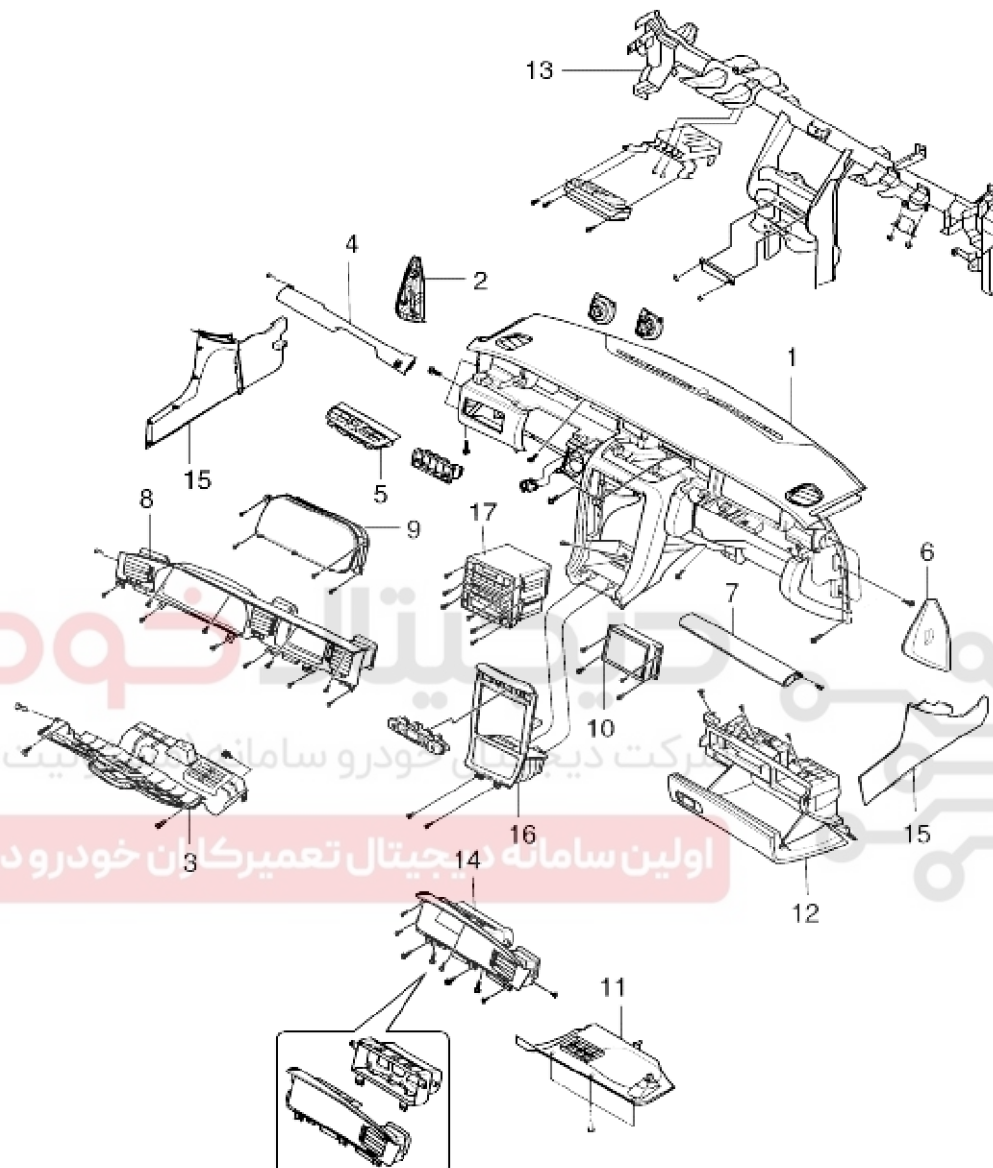
SGHBD6039N

2. Installation is the reverse of removal.

# Interior

# BD-47

## Crash Pad COMPONENTS



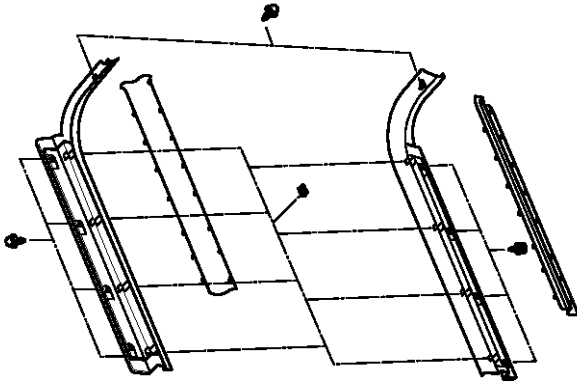
- |                                   |   |
|-----------------------------------|---|
| 1. Instrument main panel assembly | 10. Audio monitor assembly                  |
| 2. Side mounting cover(LH)        | 11. Under cover(RH)                         |
| 3. Crash pad lower panel(LH)      | 12. Glove box assembly                      |
| 4. Crash pad plate(LH)            | 13. Cowl cross bar assembly                 |
| 5. Audio keyboard                 | 14. Passenger airbag door & Airbag assembly |
| 6. Side mounting cover(RH)        | 15. Side cover                              |
| 7. Crash pad plate(RH)            | 16. Center facia panel                      |
| 8. Cluster facia panel            | 17. Audio & Heater controller assembly      |
| 9. Cluster assembly               |   |

LSCD012A

**BD-48****Body (Interior and Exterior)****REMOVAL AND INSTALLATION**

## 1. Remove cowl side trim.

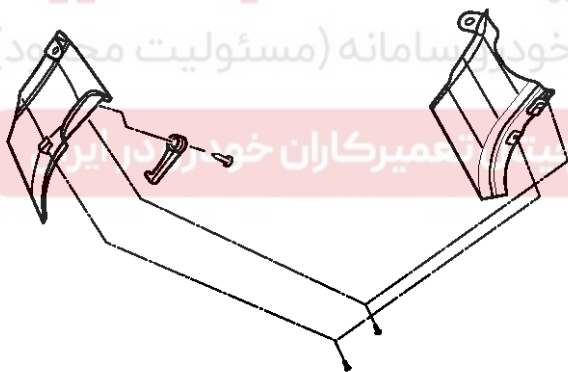
- 1) Remove front door scuff trim.



ASCD012B

## 2) Remove hood latch release lever from cowl side trim(LH).

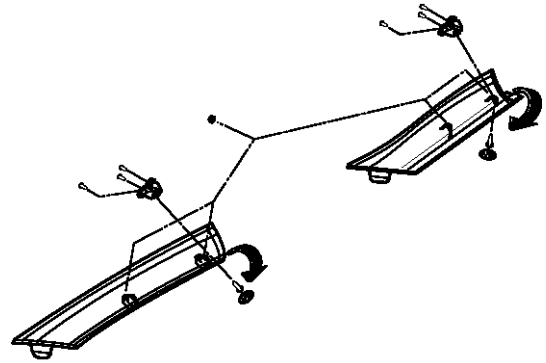
- 3) Remove cowl side trim screws(2).



ASCD012C

## 2. Remove front pillar trim.

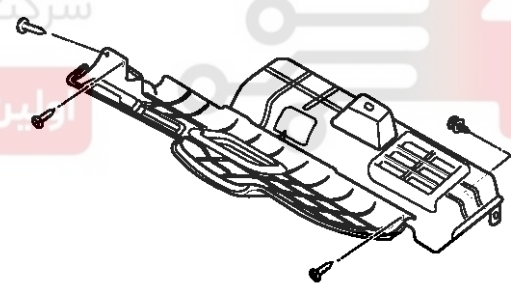
- 1) Remove door opening weatherstrip.
- 2) Remove front pillar trim blanking cover.
- 3) Remove front pillar trim screw(1).



ASCD012D

## 3. Remove crash pad lower panel(LH).

- 1) Remove side mounting cover.
- 2) Remove crash pad lower panel screws(3) and fastener(1).



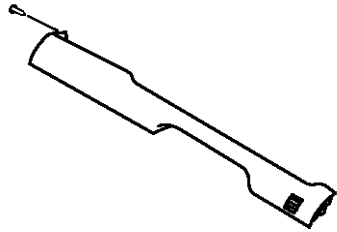
ASCD012F

- 3) Remove lower panel lamp.
- 4) Remove parking brake release lever.

## Interior

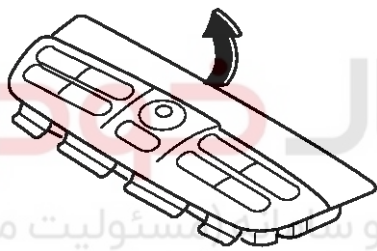
## BD-49

4. Remove steering wheel and column cover.
5. Remove crash pad plate(LH).
  - 1) Remove crash pad plate screw(1).



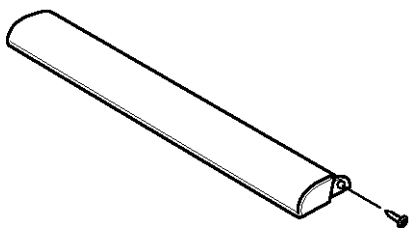
ASCD012G

6. Remove audio key board.
  - 1) Remove audio key board from instrument main panel assembly.



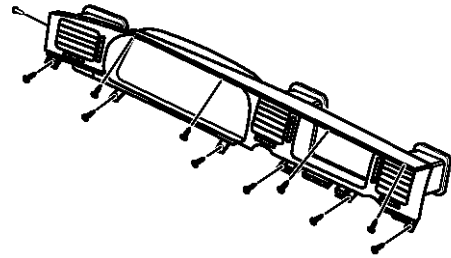
ASCD012H

7. Remove crash pad plate(RH).
  - 1) Remove side mounting cover.
  - 2) Remove crash pad plate screw(1).



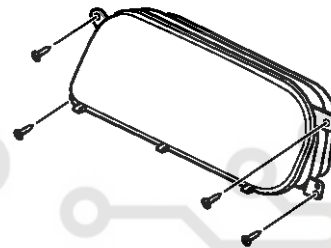
ASCD012J

8. Remove cluster facia panel.
  - 1) Remove cluster facia panel screws(11).



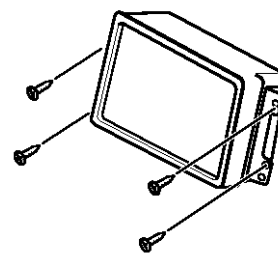
ASCD012K

- 2) Disconnect cluster facia panel connector.
9. Remove cluster assembly.
  - 1) Remove cluster assembly screws(4).



ASCD012L

- 2) Disconnect audio key board connector.
10. Remove audio monitor assembly.
  - 1) Remove audio monitor assembly screws(4).



ASCD012M

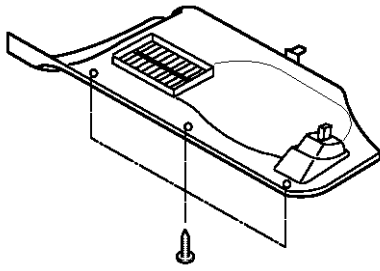
- 2) Disconnect audio monitor assembly connector.



**BD-50****Body (Interior and Exterior)**

11. Remove under cover.

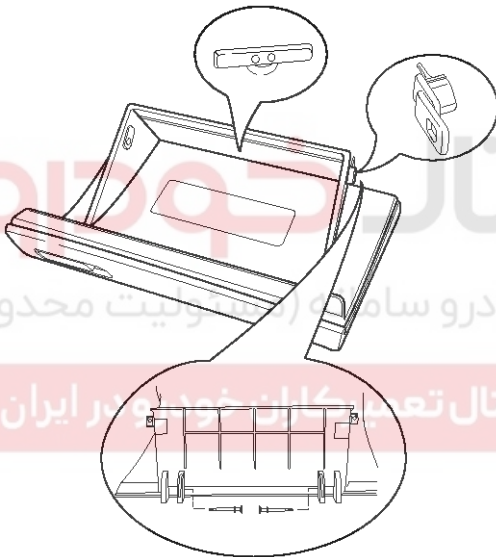
- 1) Remove under cover screws(3).



ASCD012N

- 2) Remove under cover lamp.

12. Remove glove box cover.

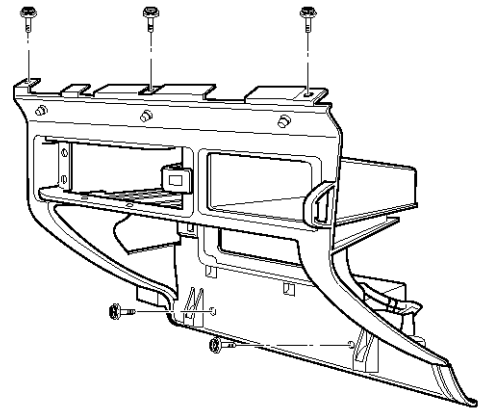


ASCD012P

- 1) Remove glove box stoppers(2).
- 2) Remove glove box damper wire.
- 3) Remove glove box hinge pins(2).

13. Remove glove box housing.

- 1) Remove glove box housing screws(5).

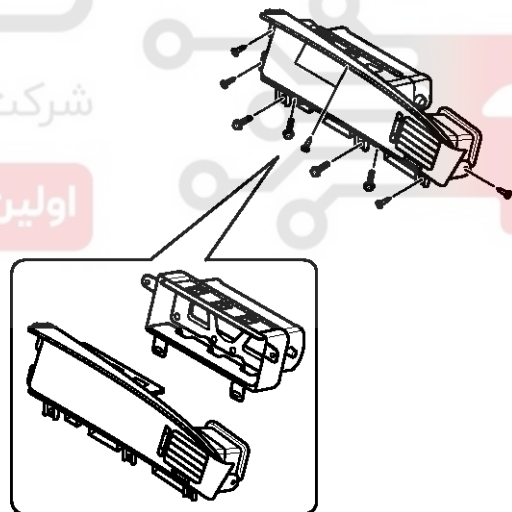


ASCD012R

- 2) Disconnect glove box housing connector.

14. Remove passenger airbag door & airbag assembly.

- 1) Remove passenger airbag door screws(6).



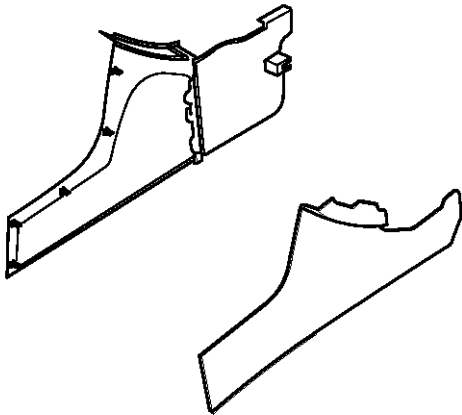
ASCD012S

- 2) Remove airbag bolts(4).
- 3) Disconnect airbag connector.

# Interior

# BD-51

15. Remove side cover(LH, RH).

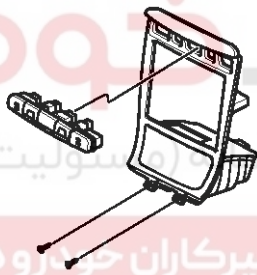


ASCD012T

16. Remove floor console.

17. Remove center facia panel.

1) Remove center facia panel screws(2).

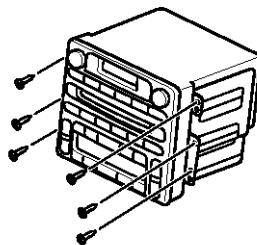


ASCD012U

2) Disconnect center facia panel connector.

18. Remove audio & heater controller.

1) Remove audio & heater controller screws(6).



ASCD012V

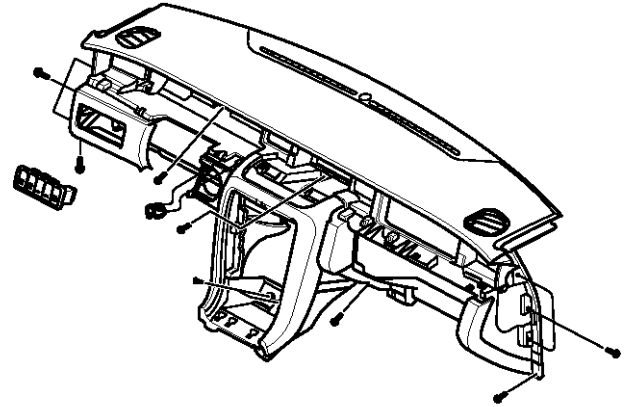
2) Disconnect audio & heater controller connector.

19. Remove instrument main panel.

1) Remove instrument main panel bolts(14).

Tightening torque:

7-11N·m (0.7-1.1kg·m, 5.1-8.0lb·ft)



ASCD012W

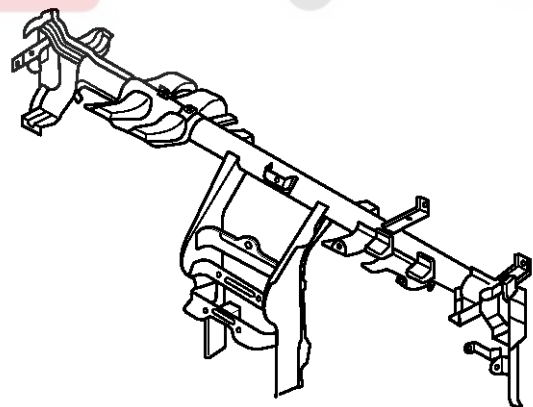
2) Disconnect instrument main panel connector.

20. Install in reverse order of removal.

Tightening torque

Cowl cross bar LH/RH side : 33-55N·m (3.3-5.5kg·m, 23.9-39.8lb·ft)

Cowl cross bar lower side : 17-26N·m (1.7-2.6kg·m, 12.3-18.8lb·ft)



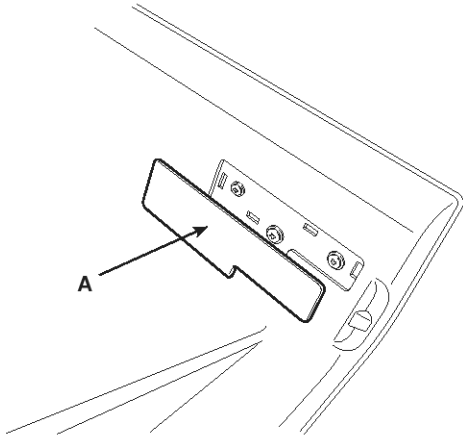
ASCD002E

# BD-52

# Body (Interior and Exterior)

## GLOVE BOX ROTOR REPLACEMENT

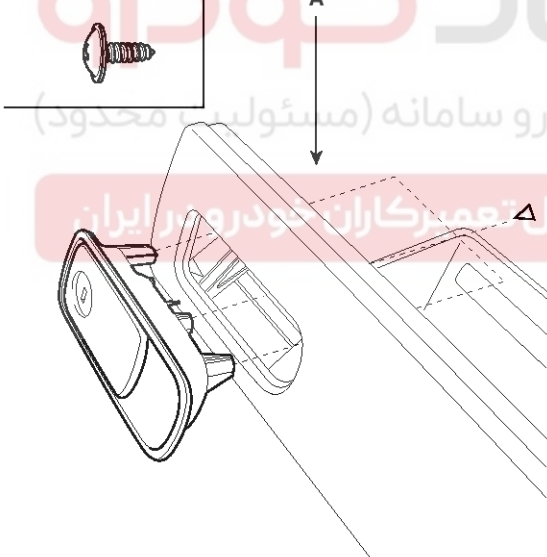
1. Open the glove box.
2. Using a screwdriver, remove the glove box lock cover (A).



SGHBD6031D

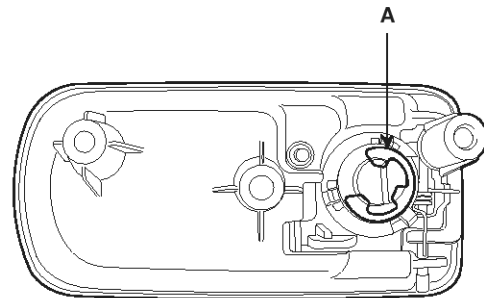
3. After loosening the mounting screws, then remove the glove box knob assembly (A).

▷: Screw locations



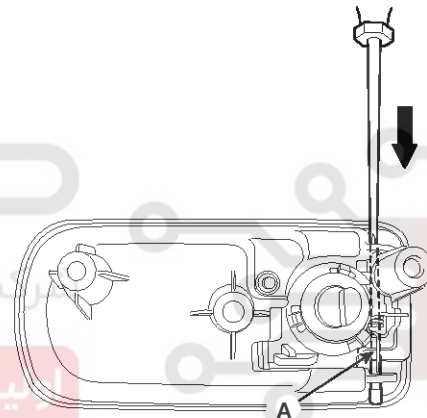
SGHBD6032L

4. Remove the clip (A).



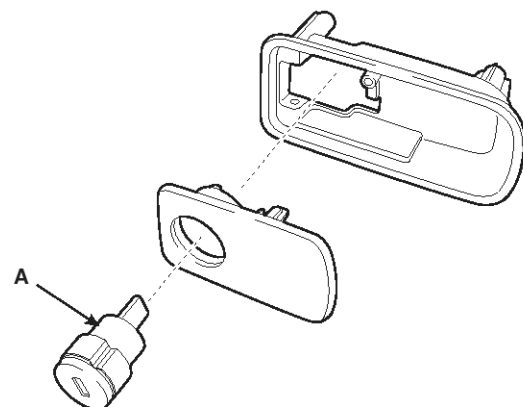
SGHBD6035D

5. Using a screwdriver (A), remove the pin (B).



SGHBD6036D

6. Remove the key cylinder (A).



SGHBD6042D

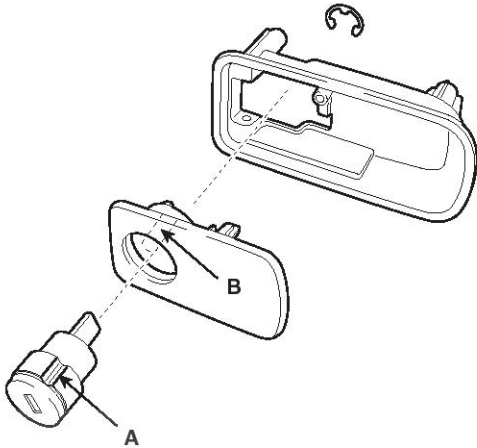
## Interior

## BD-53

7. Installation is the reverse of removal.

### NOTICE

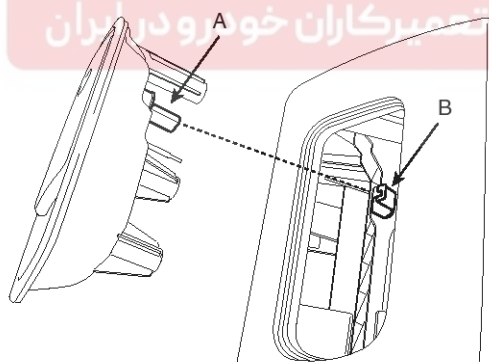
- Assemble the key cylinder groove(A) to the projection part within knob hole.



SGHBD6041D

### NOTICE

- Assemble the key cylinder (A) to glove box load groove (B).



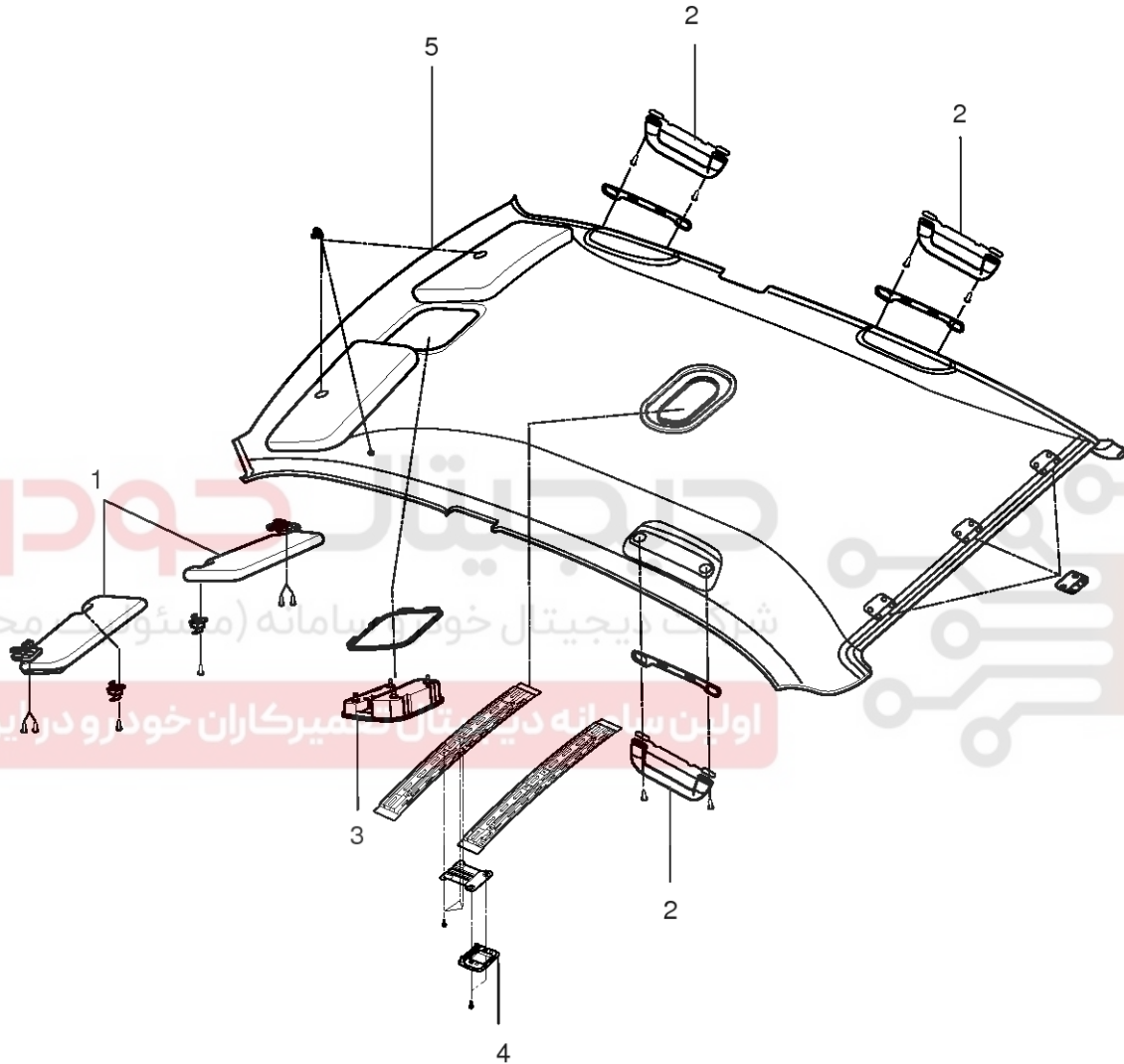
SGHBD6033D

# BD-54

# Body (Interior and Exterior)

roof trim

COMPONENTS



- 1. Sunvisor
- 2. Assist handle
- 3. Overhead console lamp

- 4. Room lamp
- 5. Headlining assembly

LSCD013A

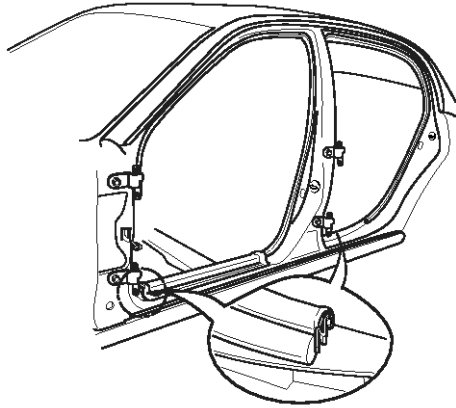
# Interior

# BD-55

## REMOVAL AND INSTALLATION

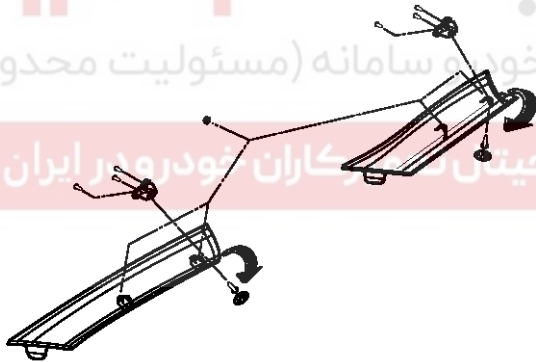
### 1. Remove front pillar trim.

- 1) Remove front door opening weatherstrip.



ASCD016B

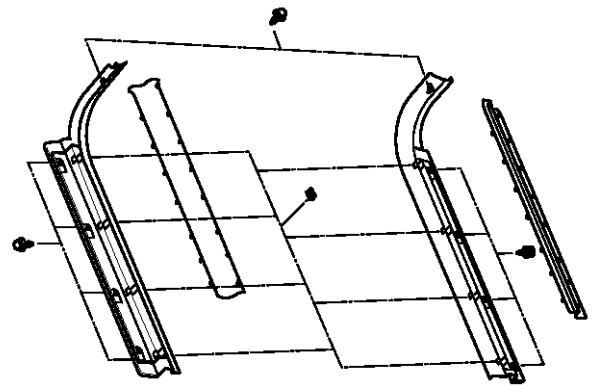
- 2) Remove front pillar trim blanking cover.
- 3) Remove front pillar trim screw(1).



ASCD012D

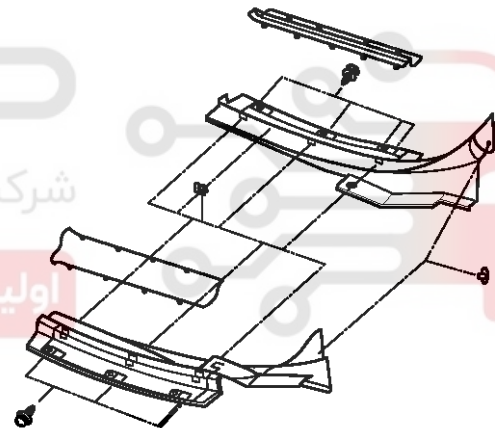
### 2. Remove center pillar lower trim.

- 1) Remove front door scuff trim.



ASCD012B

- 2) Remove rear door scuff trim.

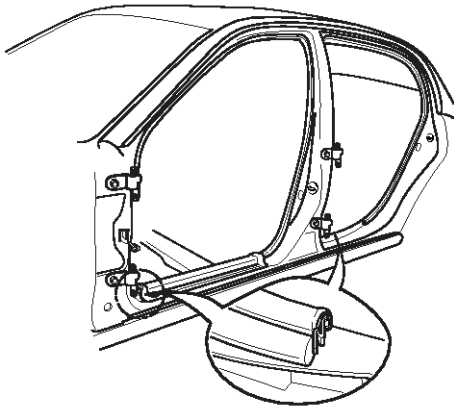


ASCD016C

## BD-56

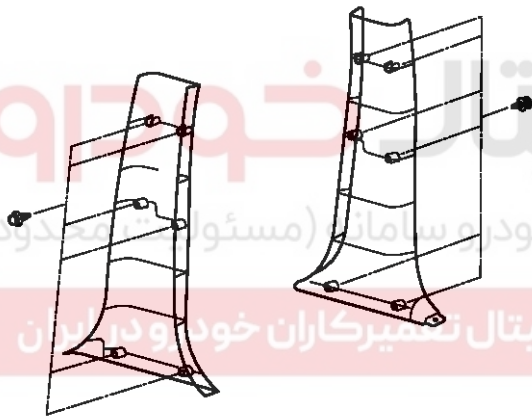
## Body (Interior and Exterior)

- 3) Remove rear door opening weatherstrip.



ASCD016B

- 4) Remove center pillar lower trim.



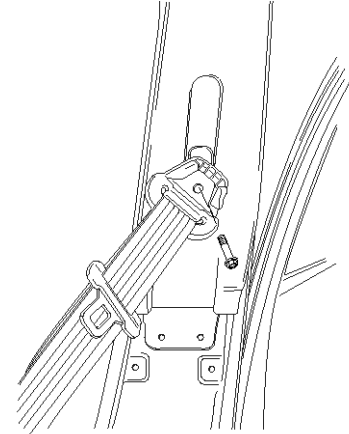
ASCD016D

3. Remove center pillar upper trim.

- 1) Remove front seat belt upper anchor bolt(1).

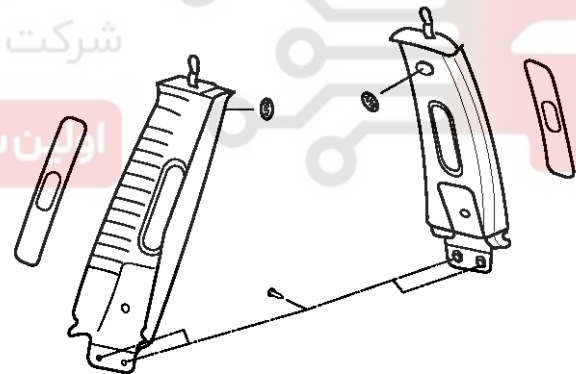
Tightening torque:

40-55N·m (4.0-5.5kg·m, 28.9-39.8lb·ft)



ASCD027C

- 2) Remove center pillar upper trim blanking cover.  
3) Remove center pillar upper trim screws(2).



ASCD016F

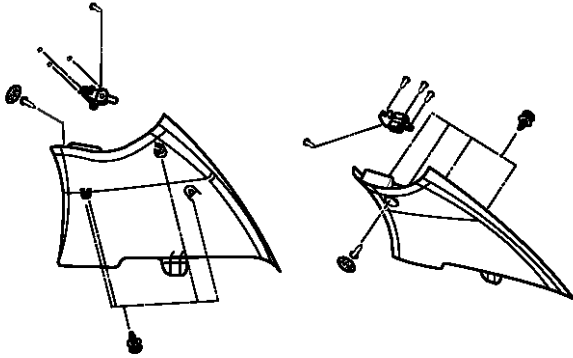
- 4) Unfasten center pillar upper trim from body frame.

# Interior

# BD-57

## 4. Remove rear pillar trim.

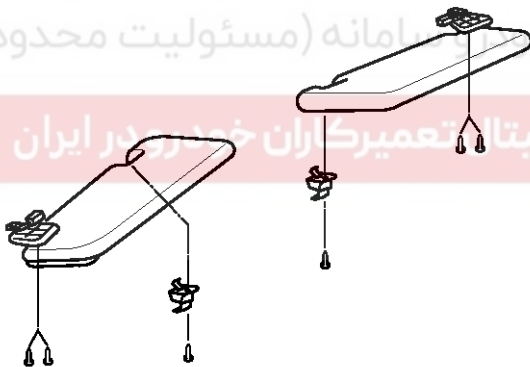
- 1) Remove rear pillar trim blanking cover.
- 2) Remove rear pillar trim screw(1).



ASCD016G

## 5. Remove sunvisor(LH).

- 1) Remove sunvisor pivot mounting cover, and then remove sunvisor screws(2).



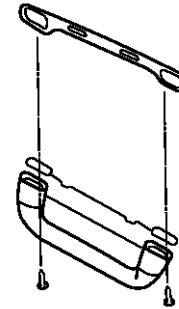
ASCD013B

- 2) Disconnect sunvisor connector.
- 3) Remove sunvisor clamp screw(1), and then remove sunvisor clamp.

## 6. Remove sunvisor(RH).

## 7. Remove assist handle.

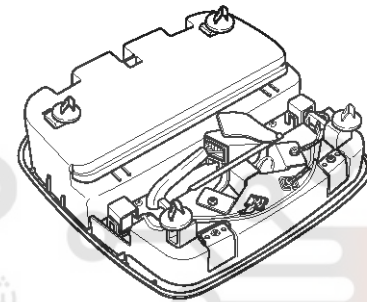
- 1) Remove assist handle bolts(2).



ASCD013C

## 8. Remove over head console lamp.

- 1) Remove over head console lamp from roof trim.



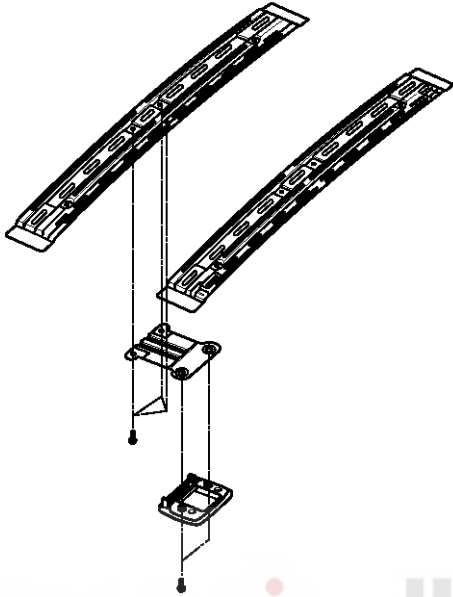
ASCD013D

- 2) Disconnect over head console lamp connector.



**BD-58****Body (Interior and Exterior)**

9. Remove room lamp.
  - 1) Remove room lamp lens with screwdriver.
  - 2) Remove room lamp bolts(2).

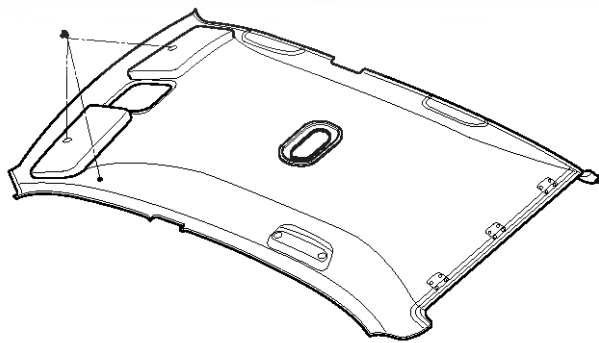


LSCD013E

- 3) Disconnect room lamp connector.
10. Remove headlining assembly.

- 1) Remove headlining fasteners(3).

اولین سامانه دیجیتال تعمیرکاران خودرو در ایران



LSCD013G

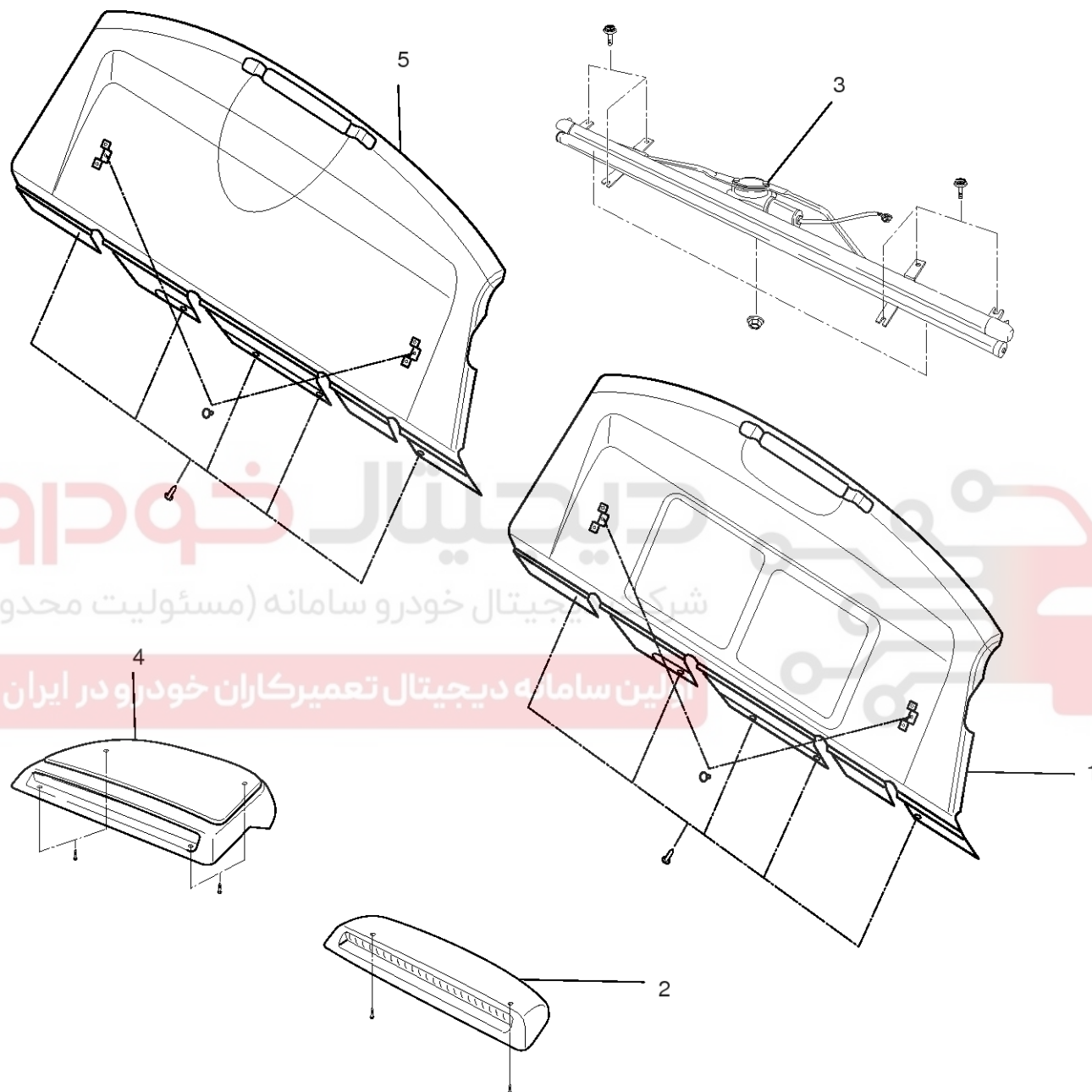
- 2) Disconnect headlining connector.
11. Install in reverse order of removal.

# Interior

# BD-59

package trim

COMPONENTS



1. Package tray
2. Hi-mounted brake lights
3. Rear sun shade assembly(Except for Europe)

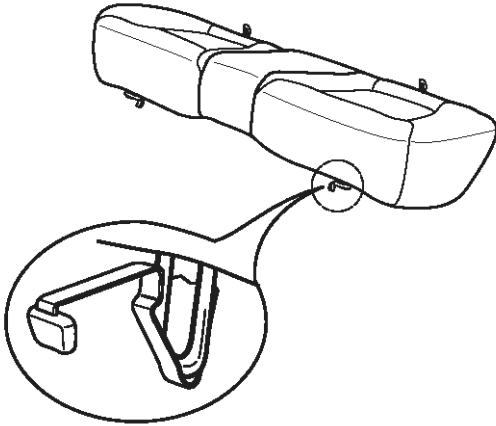
4. Hi-mounted brake lights(For Europe)
5. Package tray(For Europe)

LSCD014A

**BD-60****Body (Interior and Exterior)****REMOVAL AND INSTALLATION**

1. Remove rear seat cushion.

- 1) Release seat cushion stopper.

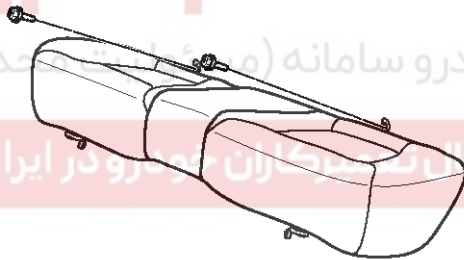


ASCD026B

- 2) Remove seat cushion bolts(2).

Tightening torque:

17-26N·m (1.7-2.6kg·m, 12.3-18.8lb·ft)



ASCD026C

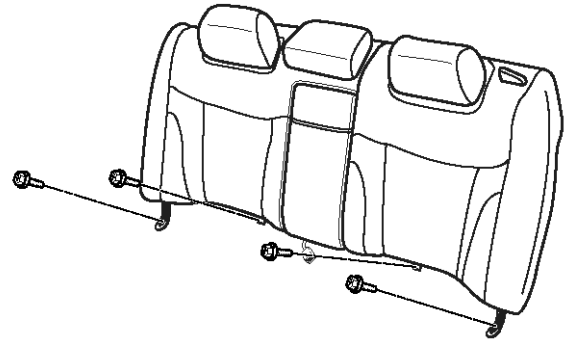
- 3) Disconnect seat cushion connector.

2. Remove rear seatback.

- 1) Remove seat back bolts(4).

Tightening torque:

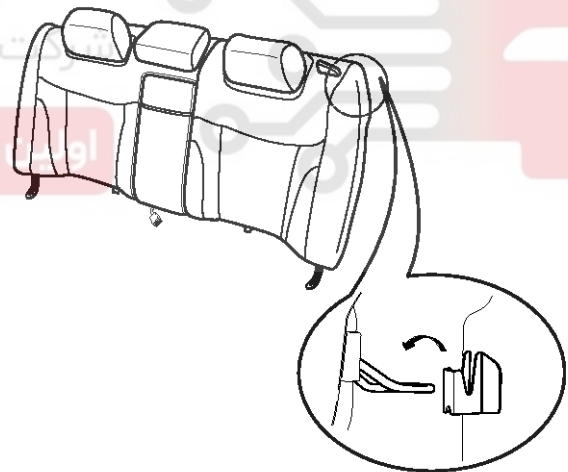
17-26N·m (1.7-2.6kg·m, 12.3-18.8lb·ft)



ASCD026D

- 2) Disconnect seatback & airbag connector.

- 3) Release seatback stopper, and then remove seatback.



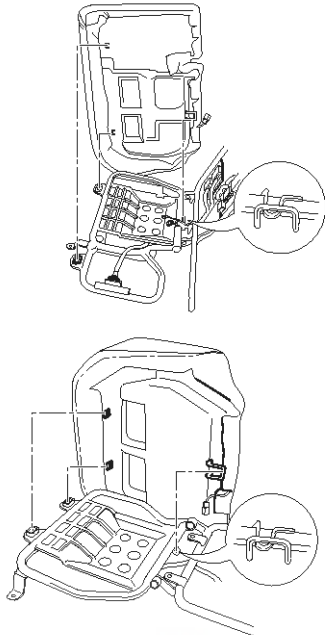
ASCD026E

# Interior

# BD-61

### 3. Remove rear seat cushion. (For Power Seat)

- 1) Release seat cushion stopper.



ASCD026F

- 2) Disconnect seat cushion connector.

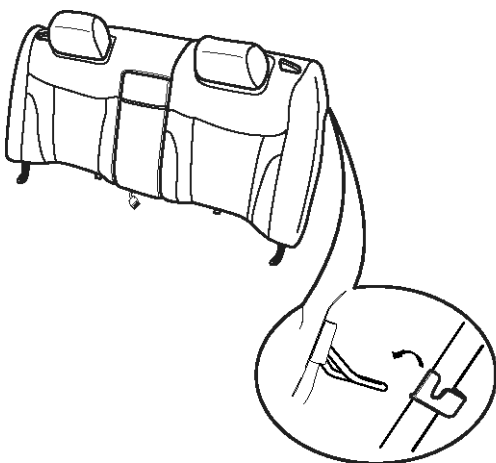
### 4. Remove rear seatback. (For Power Seat)

- 1) Remove seatback bolts(5).

Tightening torque:

17-26N·m (1.7-2.6kg·m, 12.3-18.8lb·ft)

- 2) Disconnect seatback connector.
- 3) Release seatback stopper, and then remove seatback.



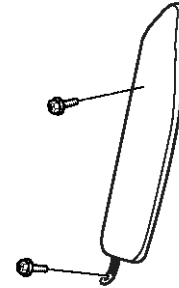
ASCD026H

### 5. Remove seatback side assembly. (For Power Seat)

- 1) Remove seatback side assembly bolts(2).

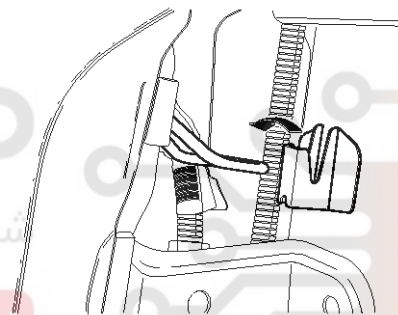
Tightening torque:

17-26N·m (1.7-2.6kg·m, 12.3-18.8lb·ft)



ASCD026J

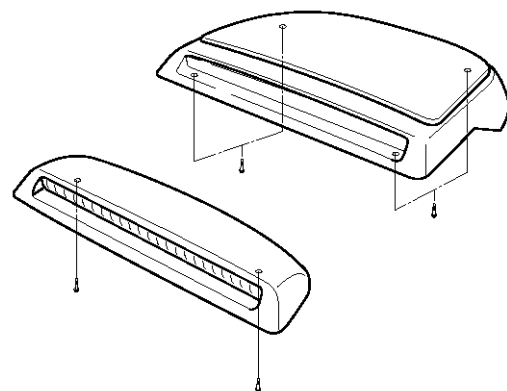
- 2) Disconnect airbag connector.
- 3) Release seatback side assembly stopper, and then remove seatback side assembly.



ASCD026K

### 6. Remove hi-mounted brake lights.

- 1) Remove hi-mounted brake lights screws.



LSCD014B

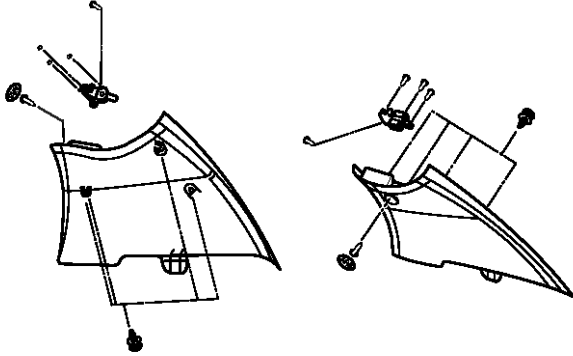
- 2) Disconnect hi-mounted brake lights connector.

## BD-62

## Body (Interior and Exterior)

## 7. Remove rear pillar trim.

- 1) Remove rear pillar trim blanking cover.
- 2) Remove rear pillar trim screw(1).



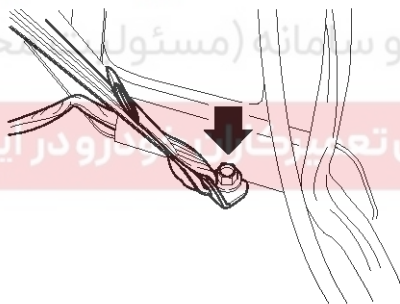
ASCD016G

## 8. Remove package tray.

- 1) Remove rear seat belt lower anchor bolt(1).

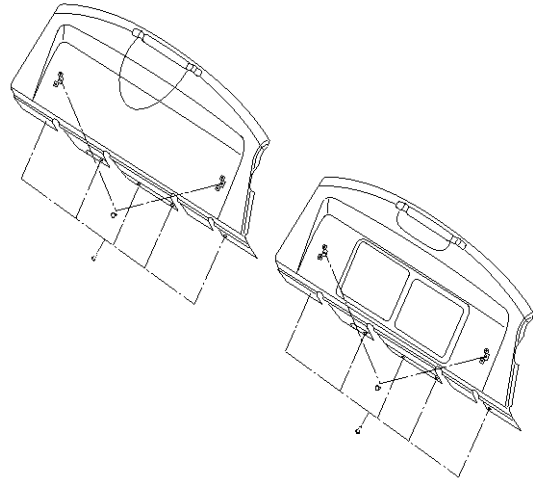
Tightening torque:

40-55N·m (4.0-5.5kg·m, 28.9-39.8lb·ft)



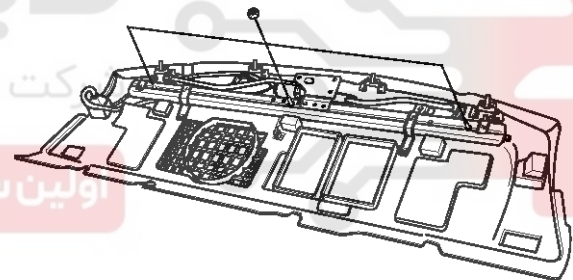
ASCD014C

## 2) Remove package tray screws(5).



LSCD014D

- 3) Remove rear sun shade nuts(3). (Except for Europe)



ASCD014E

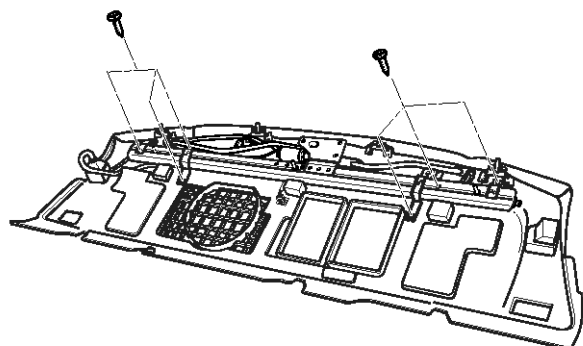
- 4) Disconnect package tray connector.
- 5) Remove rear seat belt from package tray.

## Interior

## BD-63

9. Remove rear sun shade. (Except for Europe)

- 1) Remove rear sun shade screws(6).



ASCD014F

- 2) Disconnect rear sun shade connector.

- 3) Remove rear sun shade from package tray.

10. Install in reverse order of removal.

دیجیتال خودرو

شرکت دیجیتال خودرو سامانه (مسئولیت محدود)

اولین سامانه دیجیتال تعمیرکاران خودرو در ایران

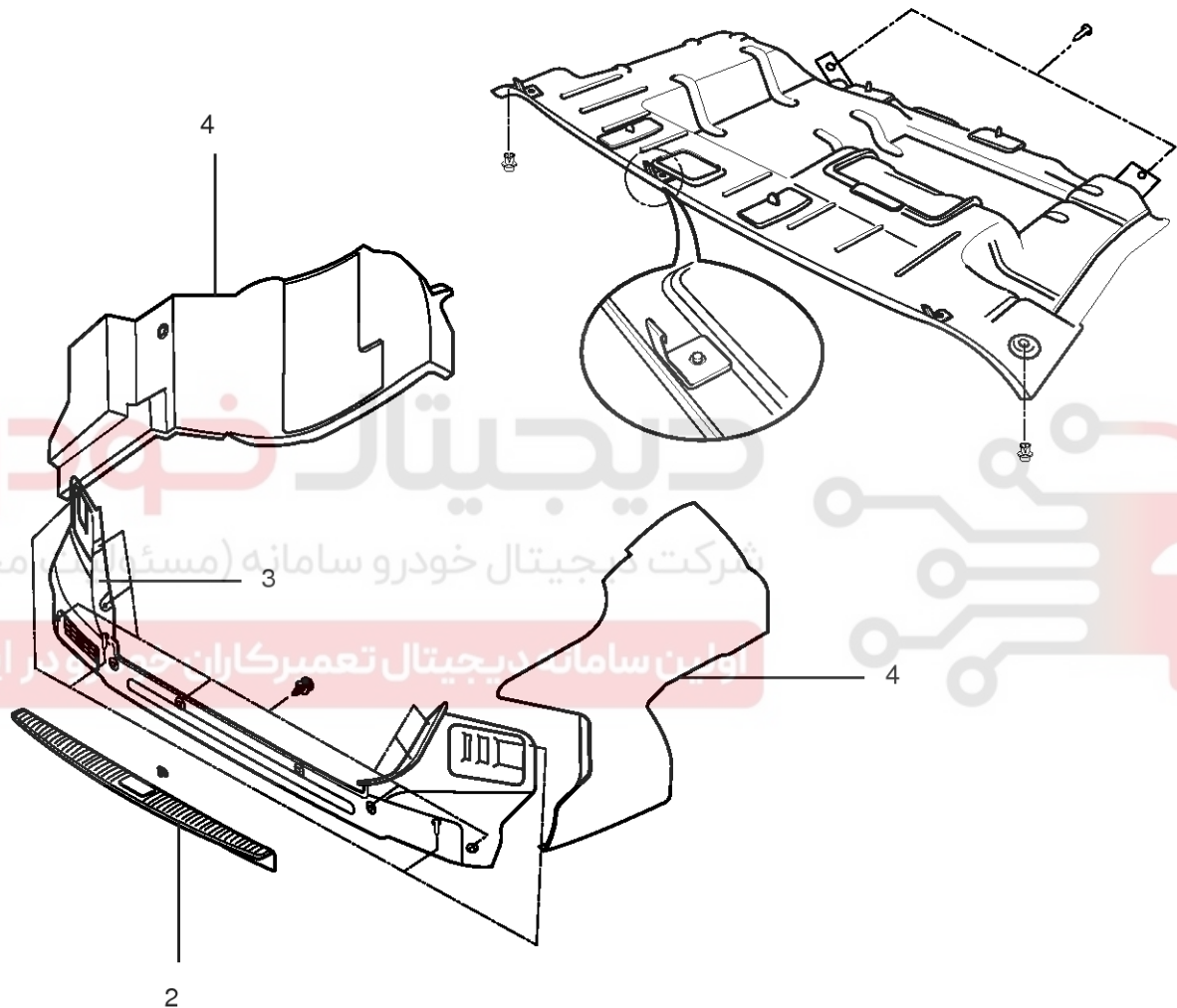


# BD-64

# Body (Interior and Exterior)

trunk trim

COMPONENTS



- 1. Luggage partition upper trim
- 2. Rear transverse Trim

- 3. Luggage rear trim
- 4. Luggage side trim

LSCD015A

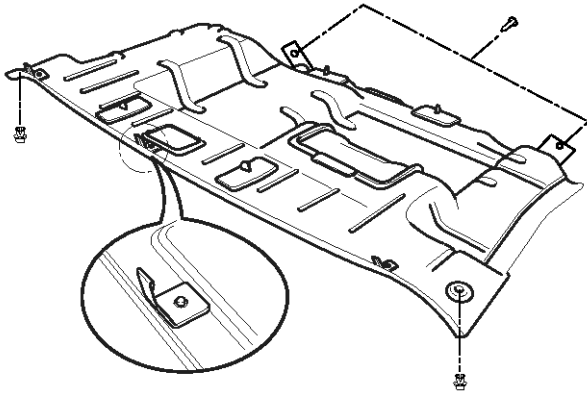
# Interior

# BD-65

## REMOVAL AND INSTALLATION

### 1. Remove luggage partition upper trim.

- 1) Remove trunk lid weatherstrip.
- 2) Remove luggage partition upper trim fasteners(2) and screws(2).

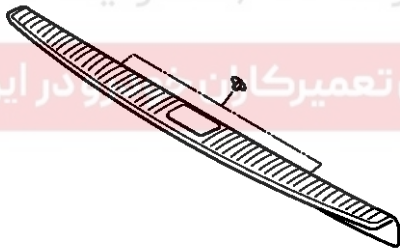


ASCD015B

### 3) Remove luggage partition upper trim.

### 2. Remove rear transverse trim.

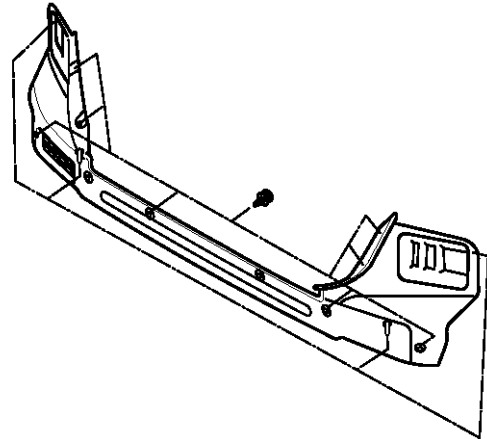
- 1) Remove rear transverse trim fasteners(2).



ASCD024B

### 3. Remove luggage rear trim.

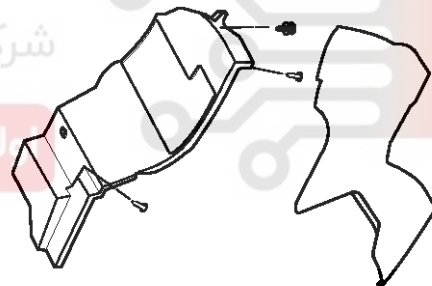
- 1) Remove luggage rear trim screws(4) and fasteners(10).



ASCD024C

### 4. Remove luggage side trim(LH).

- 1) Remove luggage mat hook.
- 2) Remove luggage side trim fasteners(5) and screws(2).



ASCD024D

### 5. Remove luggage side trim(RH).

6. Install in reverse order of removal.

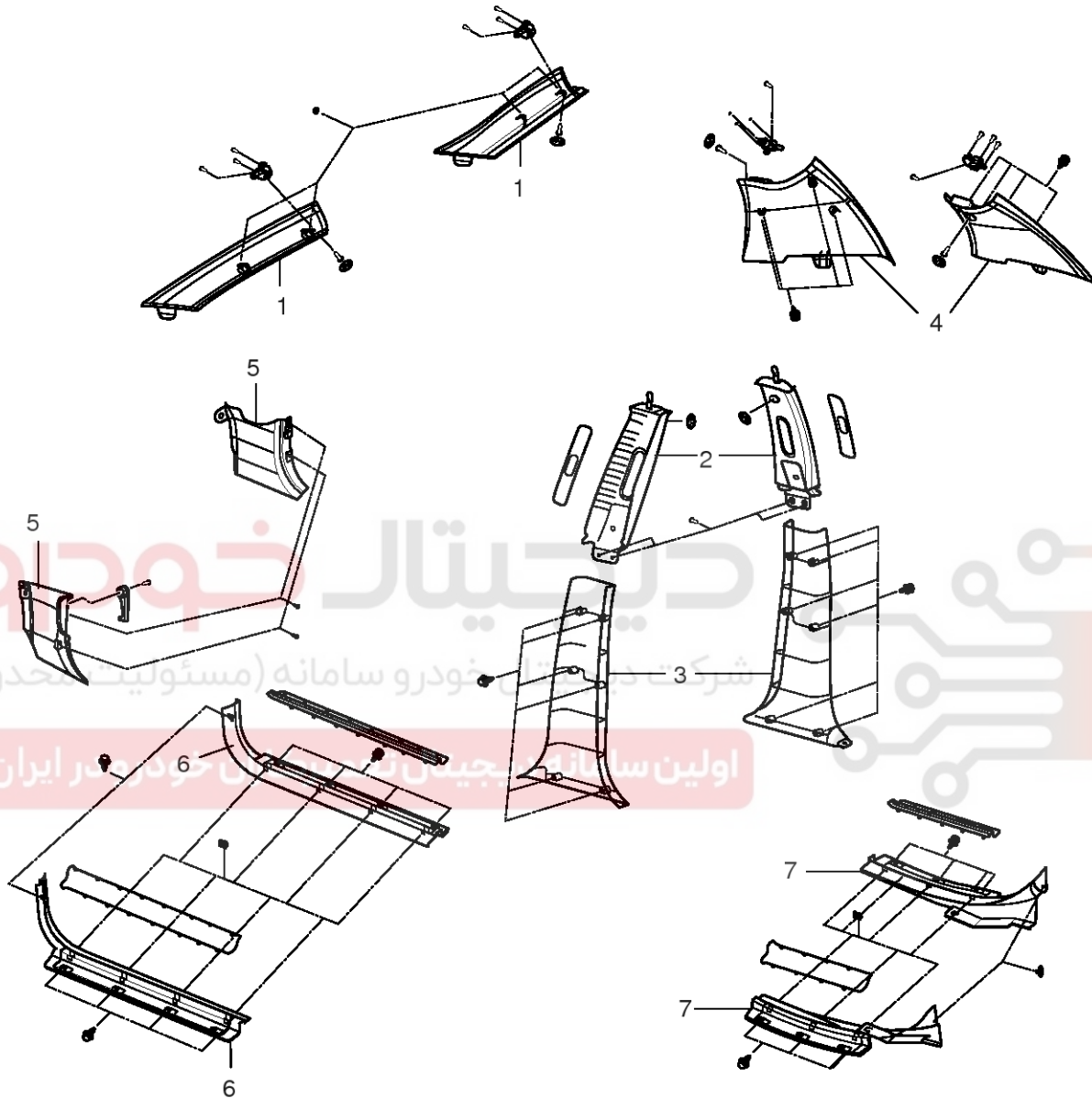


# BD-66

# Body (Interior and Exterior)

## interior trim

### COMPONENTS



- 1. Front pillar trim
- 2. Center pillar upper trim
- 3. Center pillar lower trim
- 4. Rear pillar trim

- 5. Cowl side trim
- 6. Front door scuff trim
- 7. Rear door scuff trim

LSCD016A

# Interior

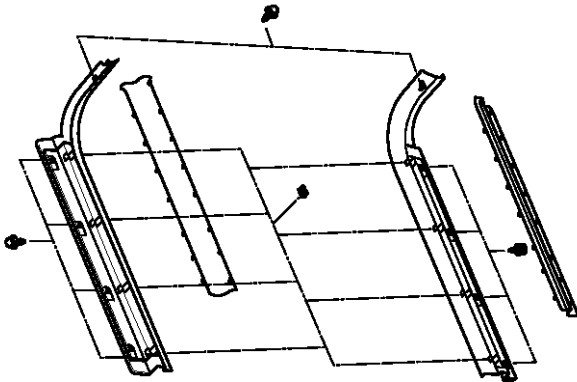
# BD-67

## REMOVAL AND INSTALLATION

### FRONT PILLAR TRIM

1. Remove cowl side trim.

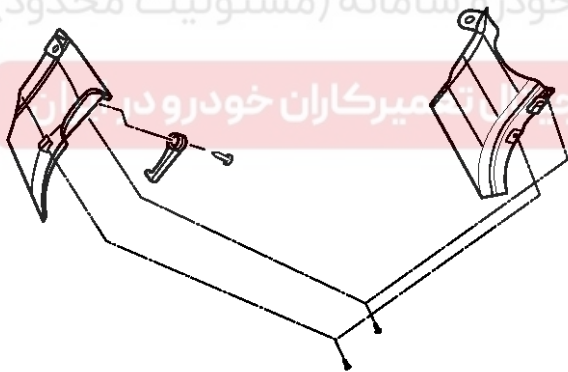
1) Remove front door scuff trim.



ASCD012B

2) Remove hood latch release lever from cowl side trim.(LH)

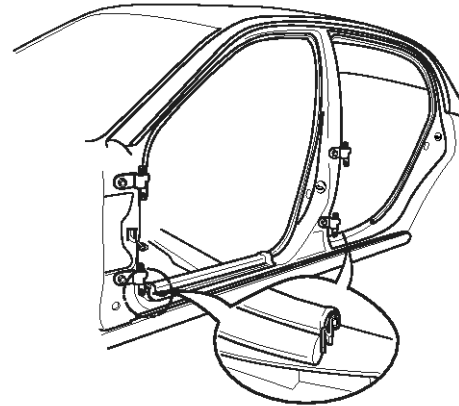
3) Remove cowl side trim screws(2) and nut(1).



ASCD012C

2. Remove front pillar trim.

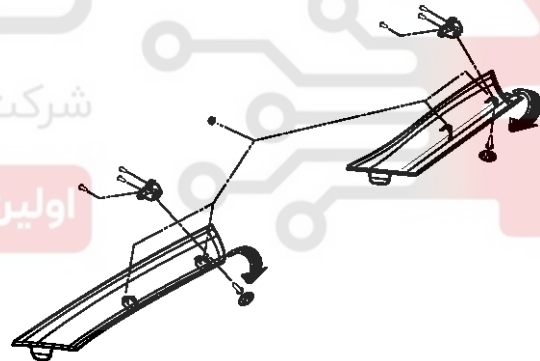
1) Remove front door opening weatherstrip.



ASCD016B

2) Remove front pillar trim blanking cover.

3) Remove front pillar trim screw(1).



ASCD012D

3. Install in reverse order of removal.

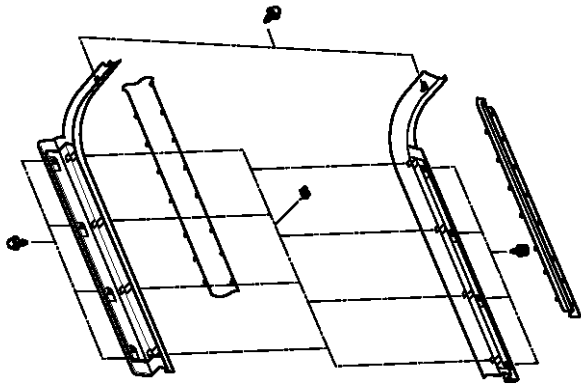
# BD-68

# Body (Interior and Exterior)

## CENTER PILLAR TRIM

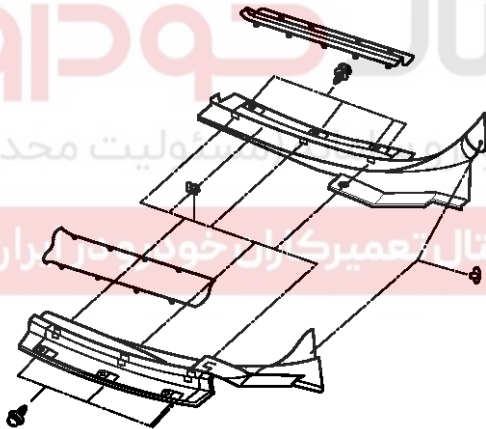
1. Remove center pillar lower trim.

1) Remove front door scuff trim.



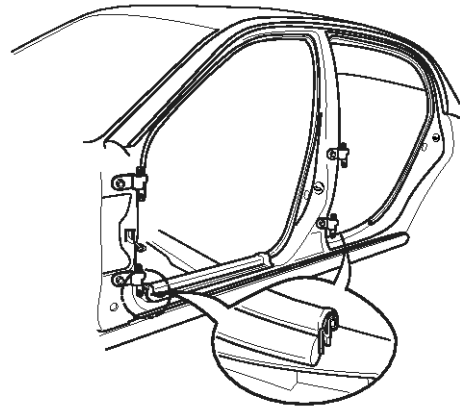
ASCD012B

2) Remove rear door scuff trim.



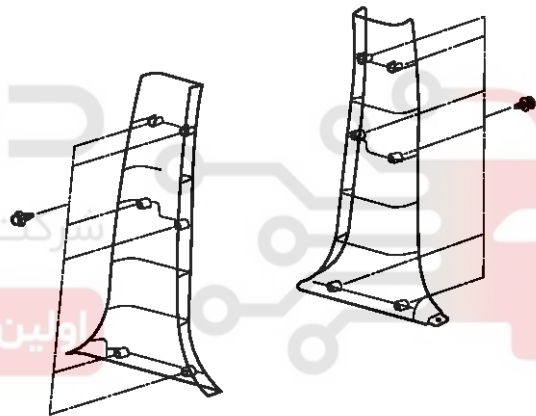
ASCD016C

3) Remove door opening weatherstrip.



ASCD016B

4) Remove center pillar lower trim.



ASCD016D

## Interior

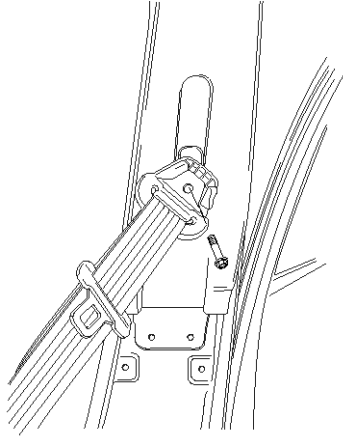
## BD-69

2. Remove center pillar upper trim.

- 1) Remove front seat belt upper anchor bolt.

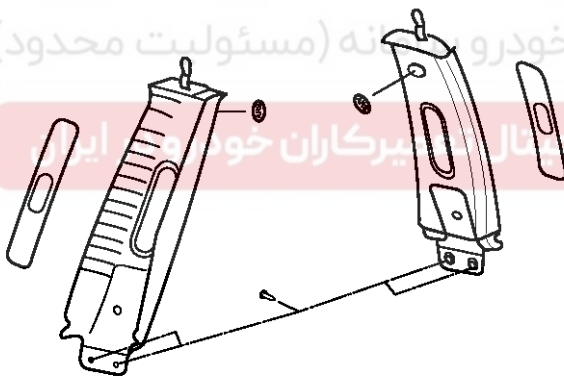
Tightening torque:

40-55N·m (4.0-5.5kg·m, 28.9-39.8lb·ft)



ASCD027C

- 2) Remove center pillar upper trim blanking cover.
- 3) Remove center pillar upper trim screws(2).

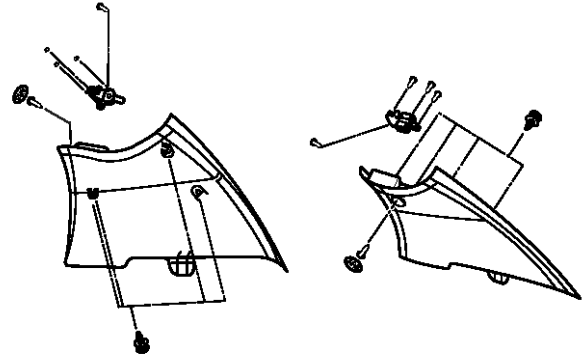


ASCD016F

3. Install in reverse order of removal.

### REAR PILLAR TRIM

1. Remove rear pillar trim blanking cover.
2. Remove rear pillar trim screw.



ASCD016G

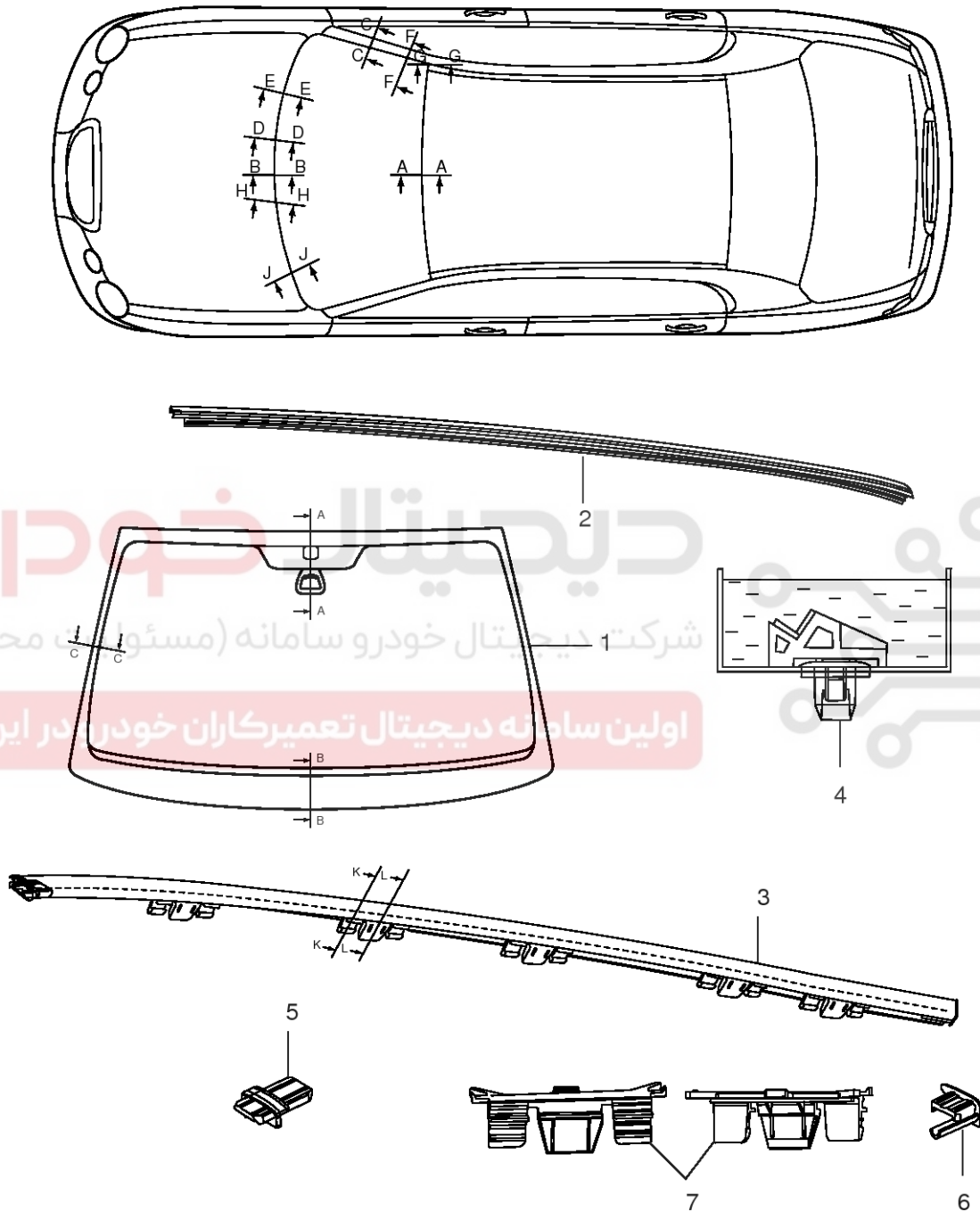
3. Install in reverse order of removal.

# BD-70

# Body (Interior and Exterior)

## windshield glass

### COMPONENTS



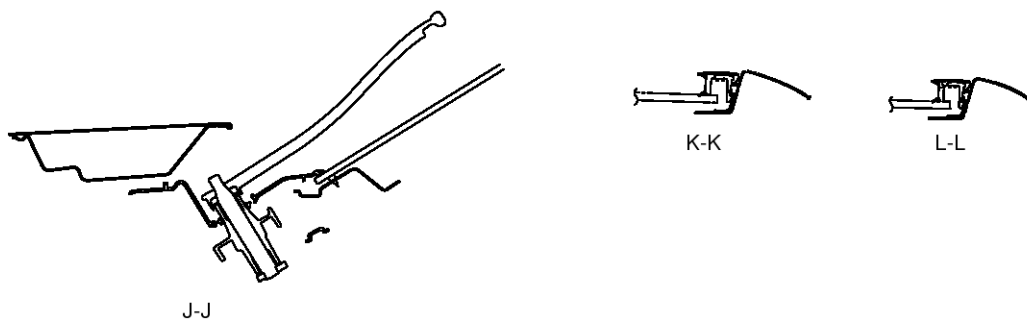
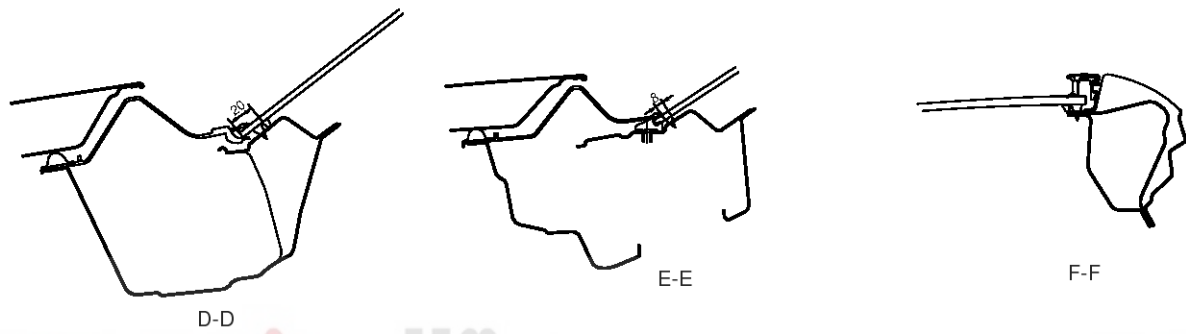
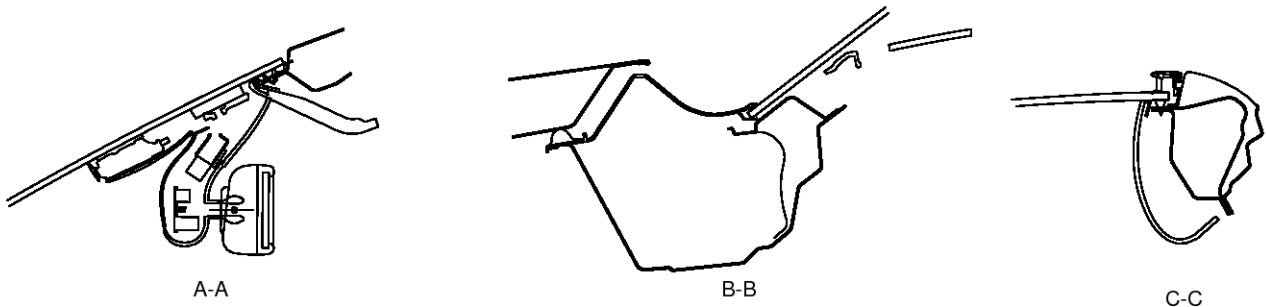
- 1. Windshield glass
- 2. Windshield glass upper molding
- 3. Windshield glass side molding
- 4. Windshield glass spacer

- 5. Windshield glass side joint
- 6. Windshield glass molding end piece
- 7. Windshield glass side molding clip

LSCD017A

Interior

BD-71



ASCD003Q

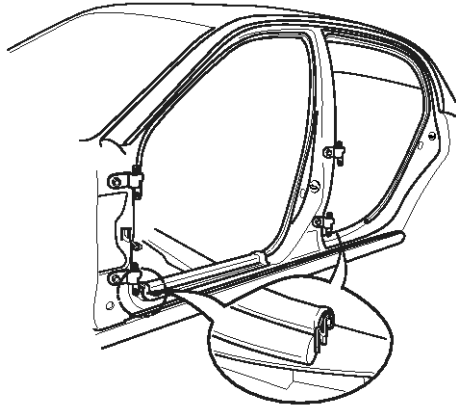
## BD-72

## Body (Interior and Exterior)

## REMOVAL

1. Remove front pillar trim.

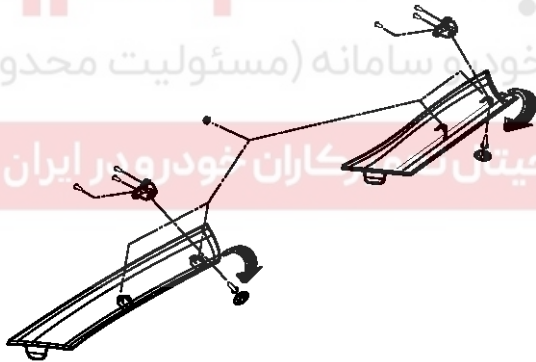
1) Remove door opening weatherstrip.



ASCD016B

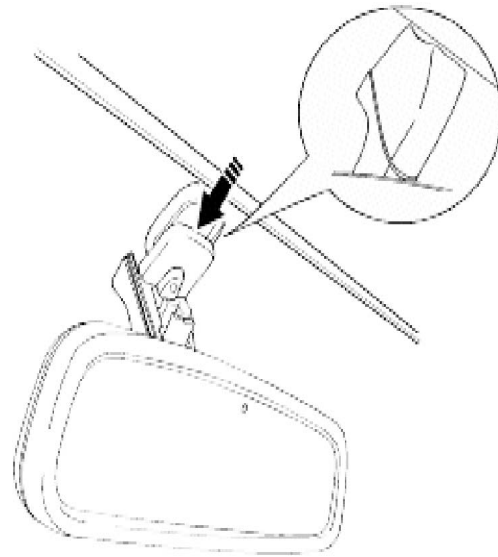
2) Remove front pillar trim blanking cover.

3) Remove front pillar trim screw(1).



ASCD012D

2. Remove inside rearview mirror.



ASCD017B

1) Remove rainsensor cover.

2) Remove inside rearview mirror base cover.

3) Disconnect inside rearview mirror connector.

4) Slide downward (an arrow direction) to remove inside rearview mirror from inside rearview mirror base.

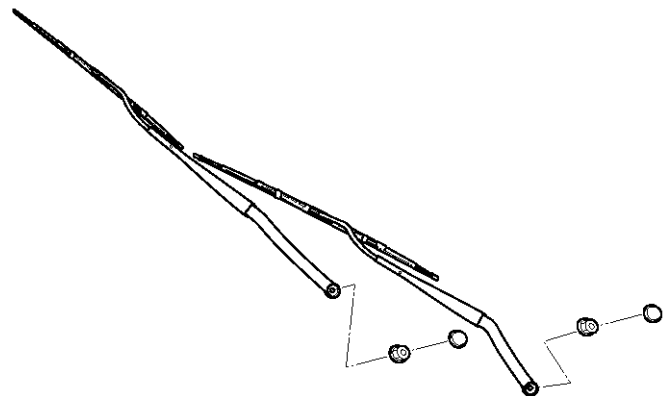
3. Remove windshield wiper arm(LH).

1) Remove wiper arm cap.

2) Remove wiper arm nut.

Tightening torque:

28-33N·m (2.8-3.3kg·m, 20.3-23.9lb·ft)



ASCD017C

دیجیتال خودرو

شرکت دیجیتال خودرو سامانه (مسئولیت محدود)

اولین سامانه دیجیتال تعمیرکاران خودرو در ایران

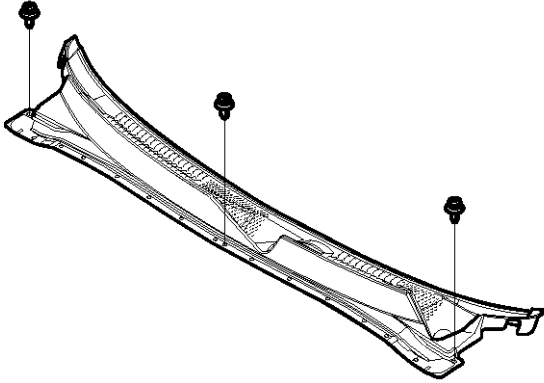




## BD-74

## Body (Interior and Exterior)

4. Remove windshield wiper arm(RH).
5. Remove cowl top cover.
  - 1) Remove cowl top cover fasteners(3).



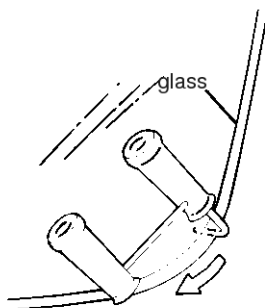
ASCD017D

- 2) Remove cowl top cover.
6. Remove windshield glass side molding.



ASCD017E

7. Pierce the sealant with a pull knife and cut all the way around the windshield from outside the vehicle.

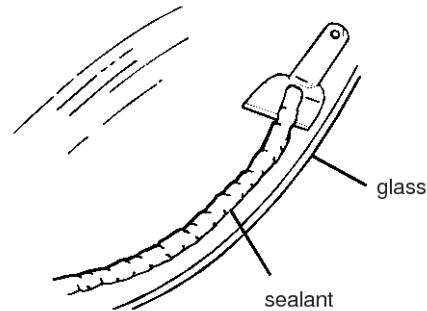


LSCD017F

8. Remove the glass to a safe place.

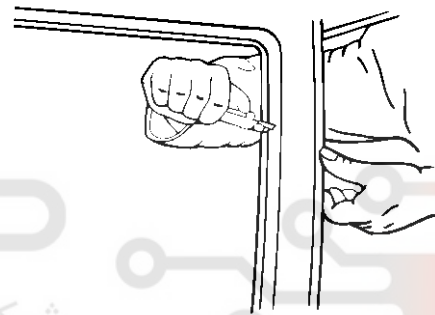
## INSTALLATION

1. Remove the excess sealant from the glass with a window scraper.



LSCD017G

2. Remove the excess sealant and foam dam from the body with a knife.



ASCD017H

3. Clean the inside of the glass with commercial glass cleaner and a lint-free cloth.
4. Prime an area approximately 20 mm(3/4 inch) wide around the complete perimeter of the glass.
5. Prime the contact area on the body.
6. Reprime the same area on the inside surface of the glass.

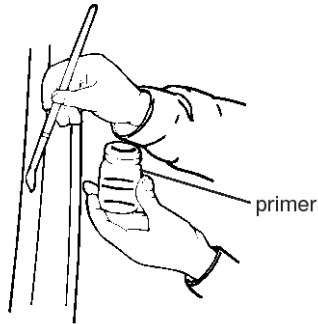
**CAUTION**

Do not permit any primed surface to become contaminated with dirt, water, oil, etc. Do not touch primed surfaces with your hands. Contamination will affect adhesion.

# Interior

# BD-75

7. Install the self-adhesive foam dam to the body where the original dam had been.



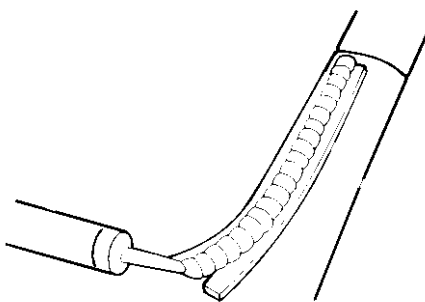
LSCD017K

**NOTICE**

The following cure times may be critical. Attempting to replace a windshield in ambient temperature over 35°C (95°F) should be avoided before completing the application.

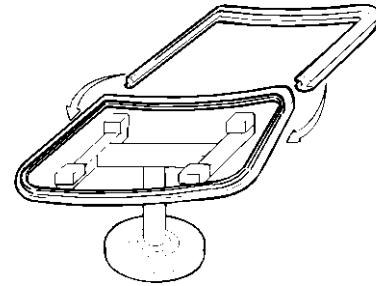
Temperature	Surface hardening time	Time required until vehicle can be returned to service
5°C (41°F)	approx 1.5 hrs	12 hrs
13°C (55°F)	approx 1.2 hrs	8 hrs
20°C (68°F)	approx 1 hrs	4 hrs
28°C (81°F)	approx 0.5 hrs	3 hrs
35°C (95°F)	approx 10 hrs	2 hrs

8. Apply the sealant bead to the body just outside the dam. The bead should be slightly higher than the dam.



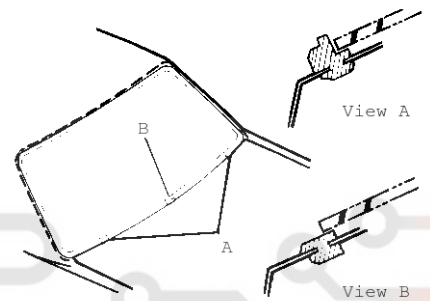
ASCD017M

9. Install molding on the glass.



ASCD017N

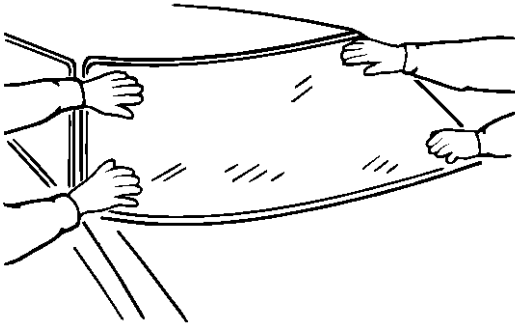
10. Install the glass into the body making sure the glass rests upon the two spacers at the bottom of the windshield.



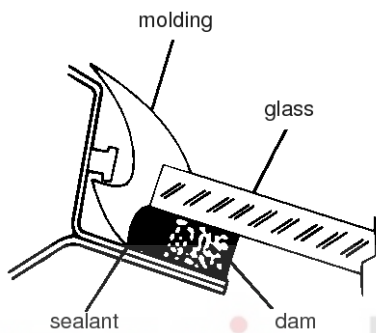
ASCD017P

**BD-76****Body (Interior and Exterior)**

11. Press glass firmly into place.



ASCD017Q



LSCD017R

**CAUTION**

Lower both front door windows and leave them in that condition until the vehicle can be put back into service. If the vehicle were completely closed, quickly closing a door could break the seal.

12. Remove excess sealant, if any.
13. Press molding firmly into place.
14. Perform water leak test immediately.
15. Clean the outside of the windshield.
16. Install both of the front pillar trims.
17. Install the inside rearview mirror.
18. Install the cowl top cover with three fasteners.
19. Install both wiper arm assemblies with one nut each.

Tightening torque:

28-33N·m (2.8-3.3kg·m, 20.3-23.9lb·ft)

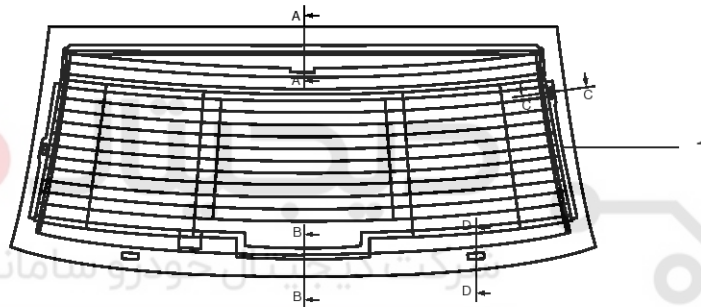
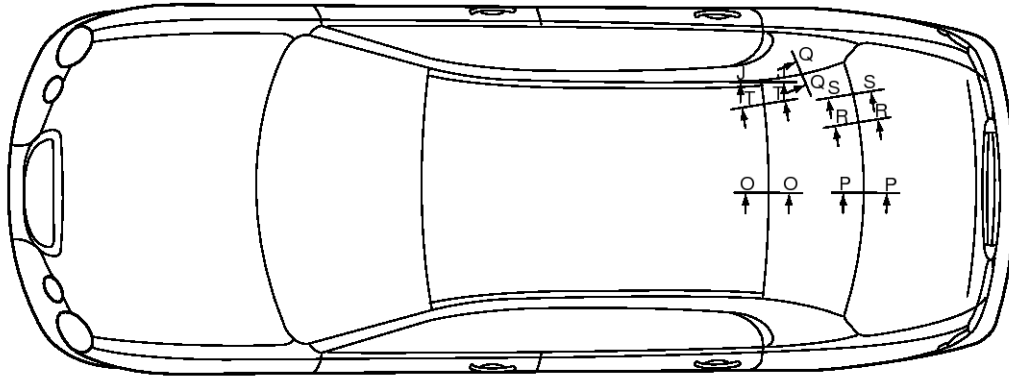


# Interior

# BD-77

## rear windows glass

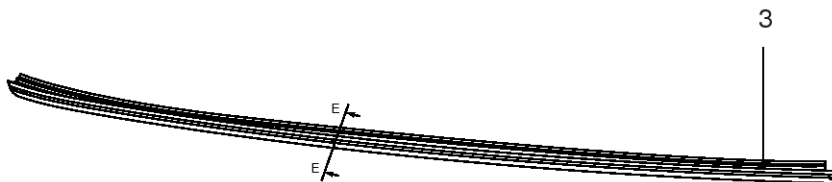
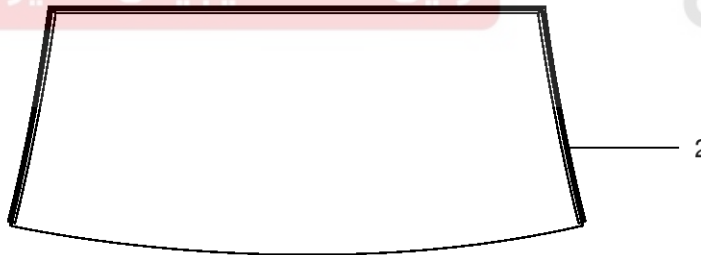
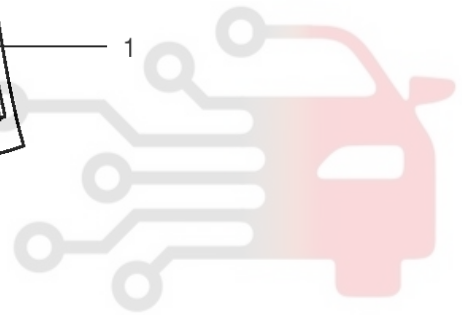
### COMPONENTS



خودرو

اولین سامانه دیجیتال تعمیرکاران خودرو سامانه (مسئولیت محدود)

اولین سامانه دیجیتال تعمیرکاران خودرو در ایران



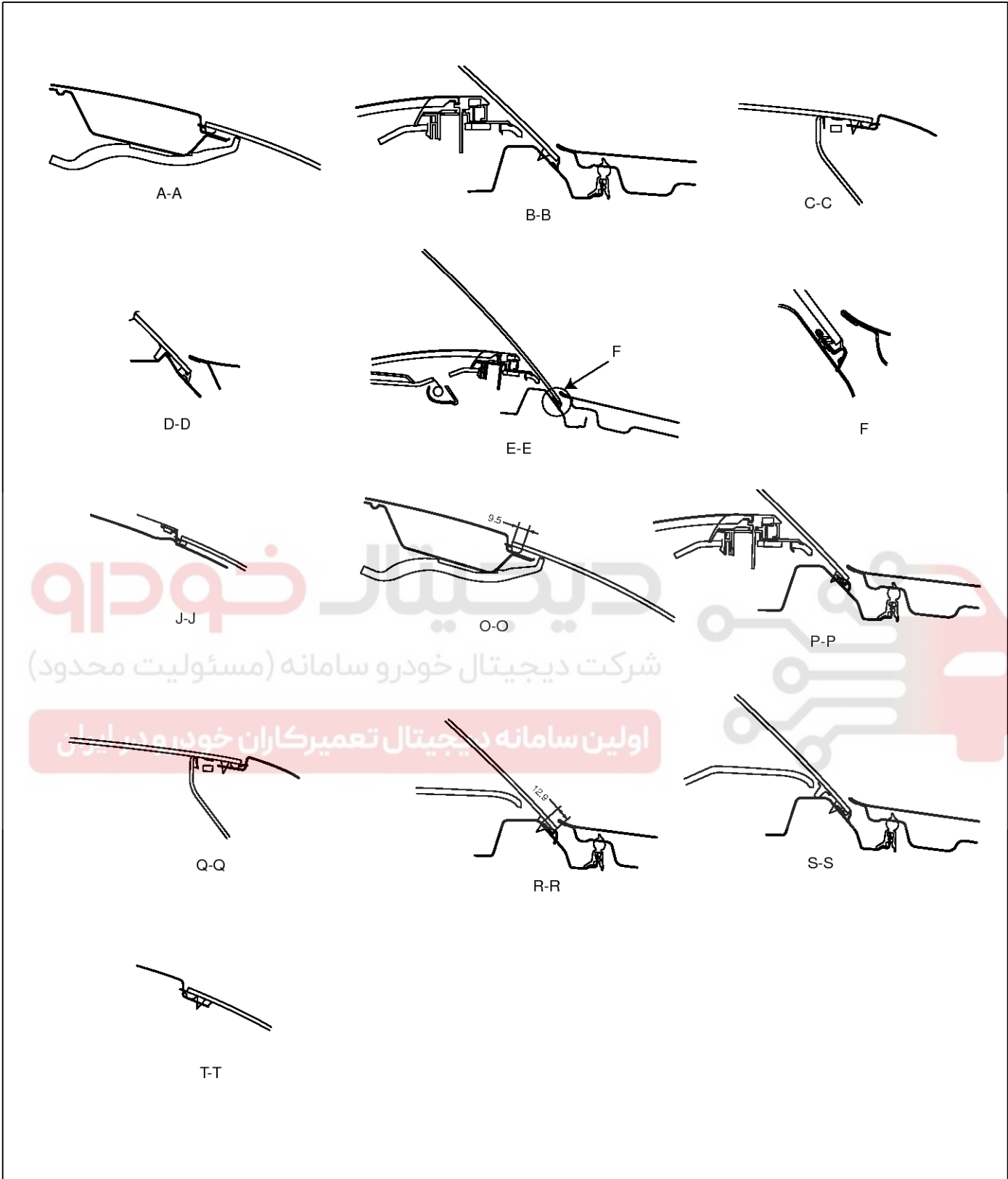
- 1. Rear window glass
- 2. Rear window glass molding

- 3. Rear window glass lower cover molding

LSCD019A

# BD-78

# Body (Interior and Exterior)



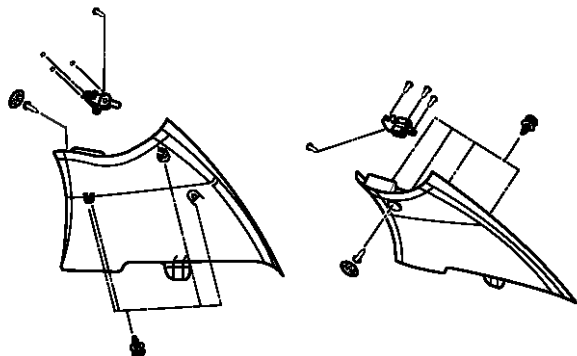
ASCD006R

# Interior

# BD-79

## REMOVAL

1. Remove rear pillar trim.
  - 1) Remove rear pillar trim blanking cover.
  - 2) Remove rear pillar trim screw.

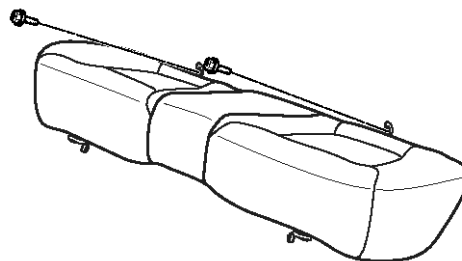


ASCD016G

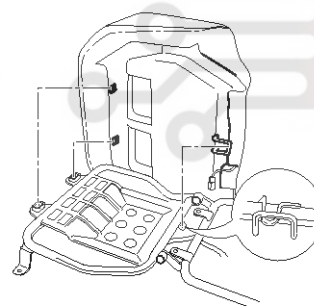
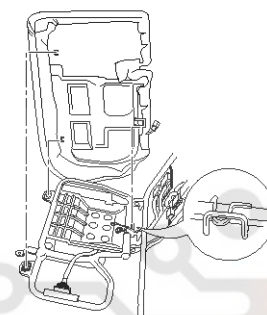
2. Remove package tray.
  - 1) Remove rear seat cushion.

Tightening torque:

17-26N·m (1.7-2.6kg·m, 12.3-18.8lb·ft)



ASCD026C



ASCD026F

دیجیتال خودرو

شرکت دیجیتال خودرو سامانه (مسئولیت محدود)

اولین سامانه دیجیتال تعمیرکاران خودرو در ایران

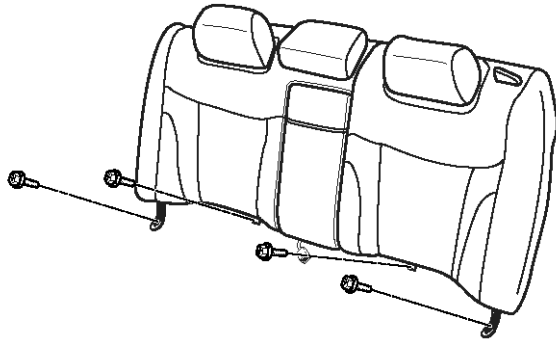
# BD-80

# Body (Interior and Exterior)

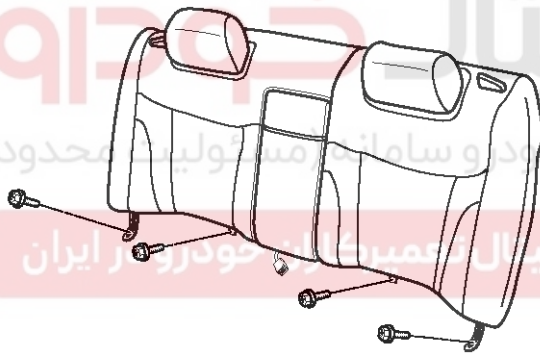
2) Remove rear seatback.

Tightening torque:

17-26N·m (1.7-2.6kg·m, 12.3-18.8lb·ft)



ASCD026D

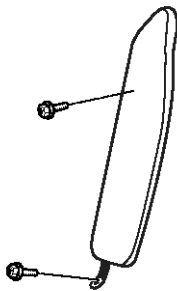


ASCD026G

3) Remove seatback side assembly & airbag.

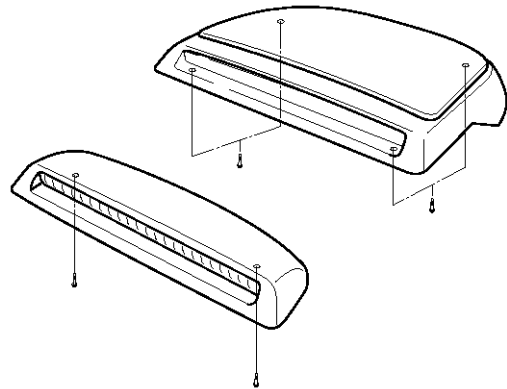
Tightening torque:

17-26N·m (1.7-2.6kg·m, 12.3-18.8lb·ft)



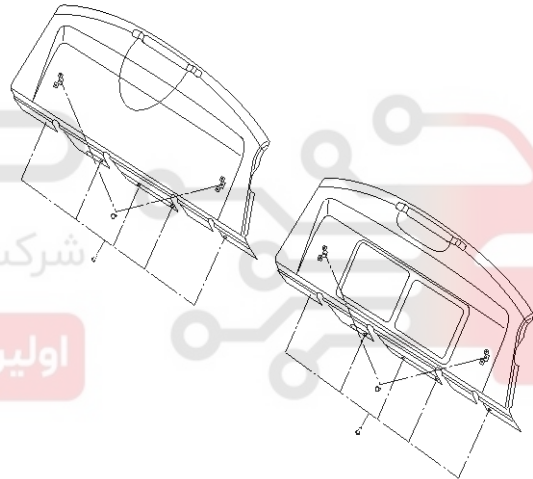
ASCD026J

4) Remove hi-mounted brake lights.



LSCD014B

5) Remove package tray.

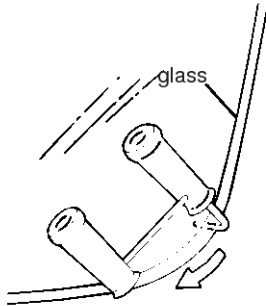


LSCD014D

# Interior

# BD-81

3. Disconnect rear window defroster connector.
4. Remove the rubber molding from around the window glass.
5. Pierce the sealant with a pull knife and cut all the way around the windshield from outside the vehicle.

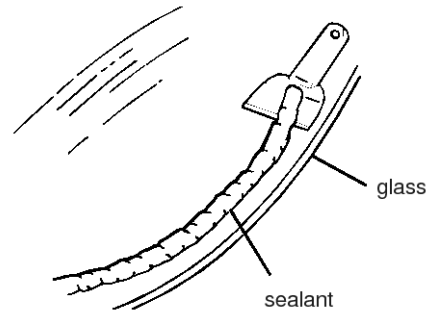


LSCD017F

6. Remove the glass to a safe place.

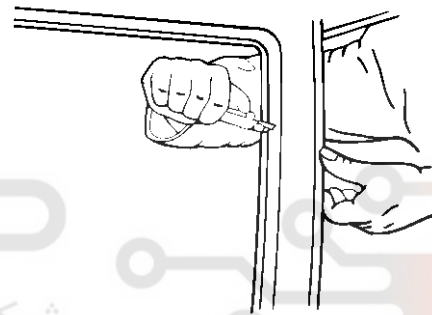
## INSTALLATION

1. Remove the excess sealant from the glass with a window scraper.



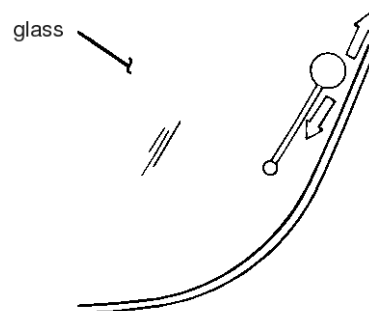
LSCD017G

2. Remove the excess sealant and foam dam from the body with a knife.



ASCD017H

3. Clean the inside of the glass with commercial glass cleaner and a lint-free cloth.
4. Prime an area approximately 20 mm (3/4 inch) wide around the complete perimeter of the glass.



LSCD017J

دیجیتال خودرو  
شرکت دیجیتال خودرو سامانه (مسئولیت محدود)

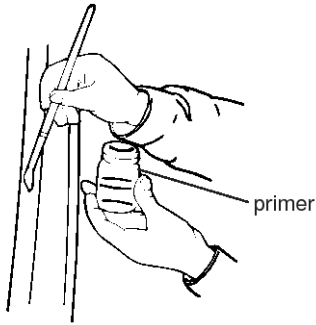
سامانه دیجیتال تعمیرکاران خودرو در ایران



# BD-82

# Body (Interior and Exterior)

5. Prime the contact area on the body.



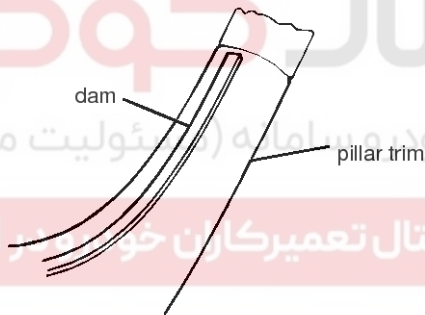
LSCD017K

6. Reprime the same area on the inside surface of the glass.

**CAUTION**

Do not permit any primed surface to become contaminated with dirt, water, oil, etc. Do not touch primed surfaces with your hands. Contamination will affect adhesion.

7. Install the self-adhesive foam dam to the body where the original dam had been.



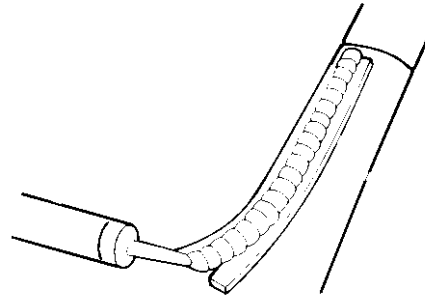
LSCD017L

**NOTICE**

The following cure times may be critical. Attempting to replace a windshield in ambient temperature over 35°C (95°F) should be avoided before completing the application.

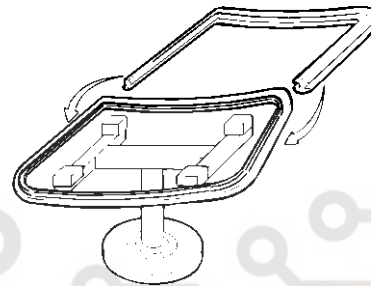
Temperature	Surface hardening time	Time required until vehicle can be returned to service
5°C (41°F)	approx 1.5 hrs	12 hrs
13°C (55°F)	approx 1.2 hrs	8 hrs
20°C (68°F)	approx 1 hrs	4 hrs
28°C (81°F)	approx 0.5 hrs	3 hrs
35°C (95°F)	approx 10 hrs	2 hrs

8. Apply the sealant bead to the body just outside the dam. The bead should be slightly higher than the dam.



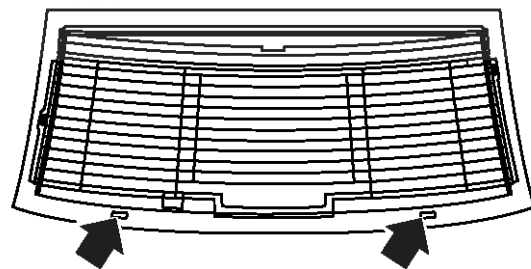
ASCD017M

9. Install molding on the glass.



ASCD017N

10. Install the glass into the body making sure the glass rests upon the two spacers at the bottom of the windshield.

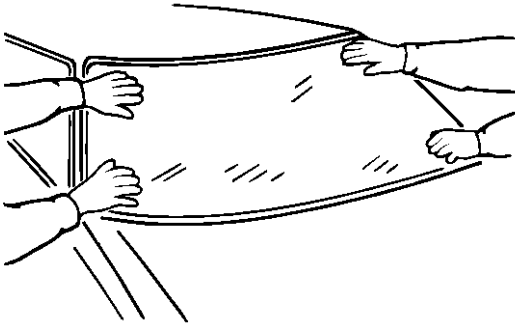


ASCD019B

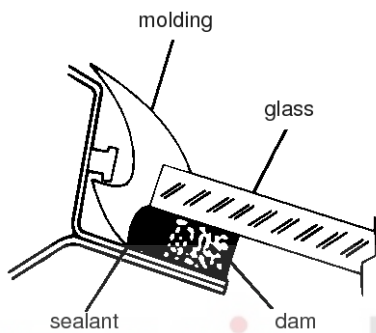
# Interior

# BD-83

11. Press glass firmly into place.



ASCD017Q



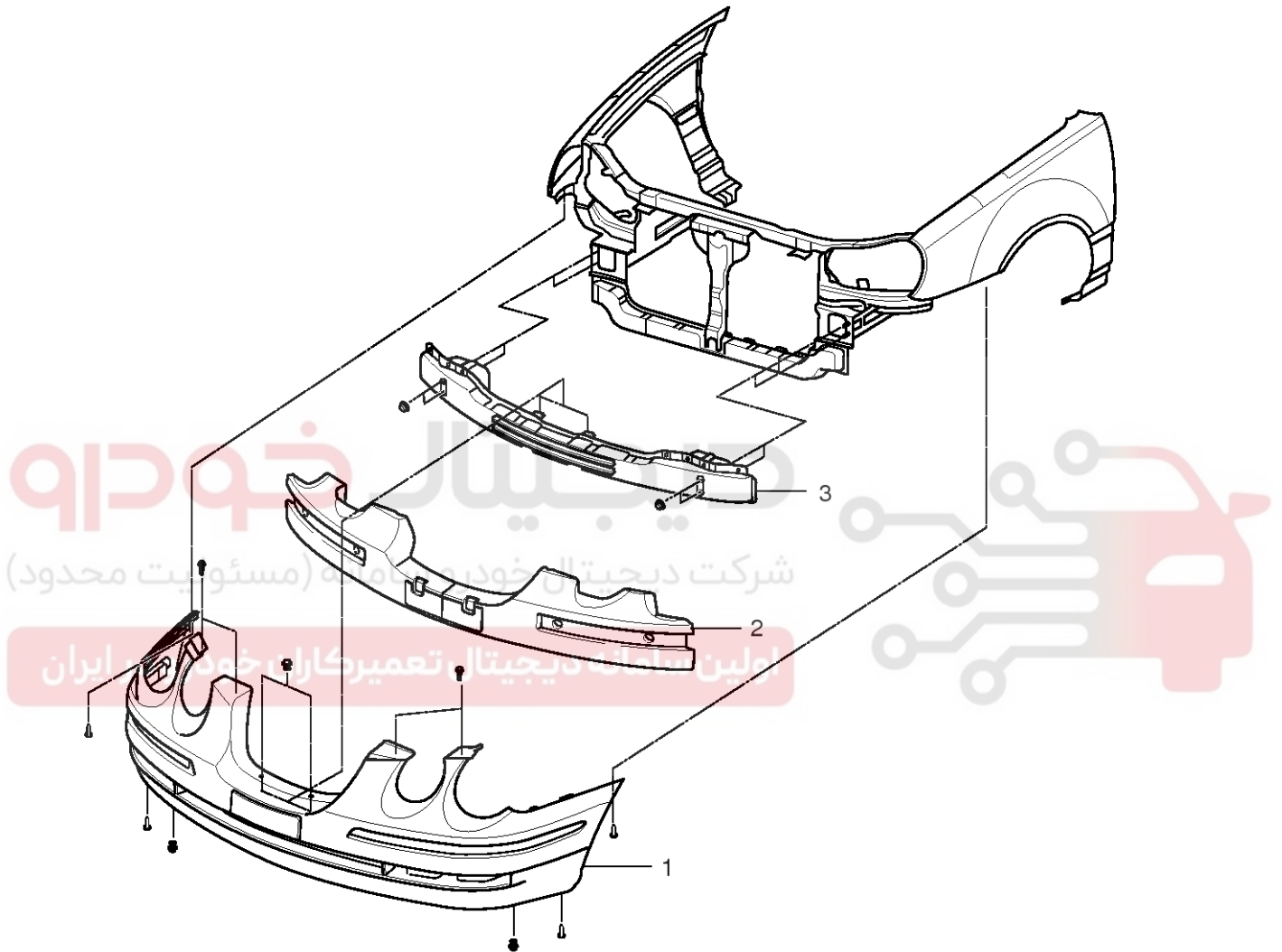
LSCD017R

## ⚠ CAUTION

Lower both front door windows and leave them in that condition until the vehicle can be put back into service. If the vehicle were completely closed, quickly closing a door could break the seal.

12. Remove excess sealant, if any.
13. Press molding firmly into place.
14. Perform water leak test immediately.
15. Clean the outside of the window glass.
16. Install package tray.
17. Install both of the rear pillar trims.



**BD-84****Body (Interior and Exterior)****Bumper****front bumper****COMPONENTS**

1. Front bumper cover
2. Front bumper energy absorber foam

3. Front bumper rail

LSCD023A

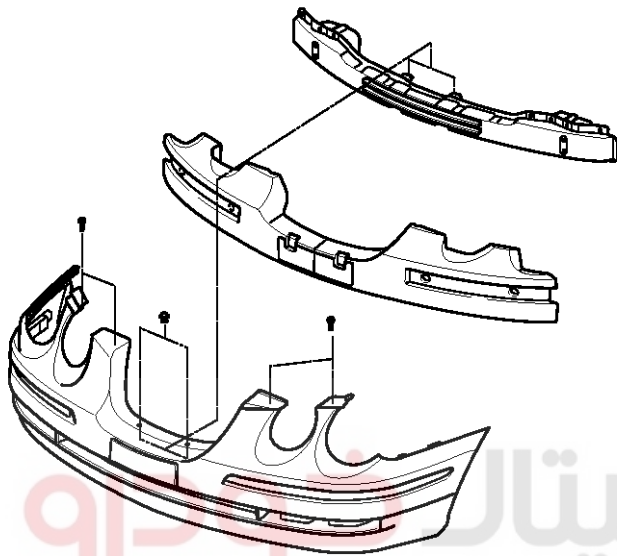
# Bumper

## BD-85

### REMOVAL AND INSTALLATION

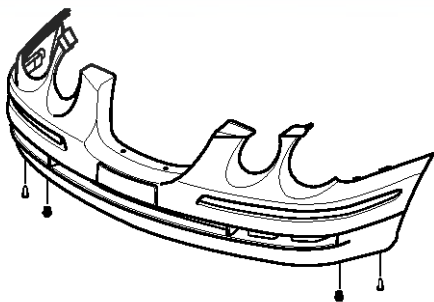
1. Remove front bumper cover & bumper energy absorber foam assembly.

- 1) Remove headlights washer nozzle outer cover.
- 2) Remove bolts(4) and fasteners(2) from top of bumper cover.



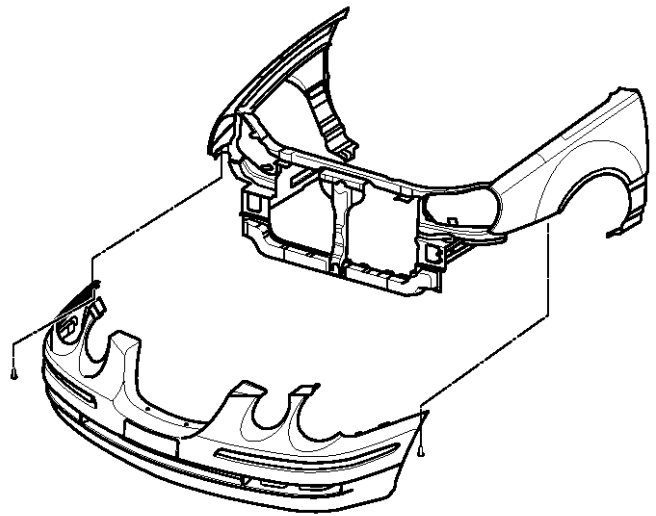
ASCD023B

- 3) Remove screws(2) and fasteners(2) from bottom of bumper cover.



ASCD023C

- 4) Remove screws(2) from left/right side of bumper cover.



ASCD023D

- 5) Disconnect turn signal lamp connector.
- 6) Remove bumper cover & bumper energy absorber foam assembly.

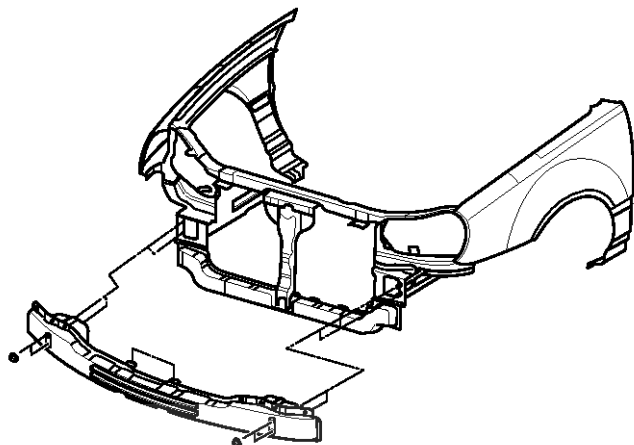
**BD-86****Body (Interior and Exterior)**

2. Remove bumper rail.

- 1) Remove bumper rail nuts(4).

Tightening torque:

9.0-14N·m (0.9-1.4kg·m, 6.5-10.1lb·ft)



ASCD023E

3. Install in reverse order of removal.

اولین سامانه دیجیتال تعمیرکاران خودرو در ایران

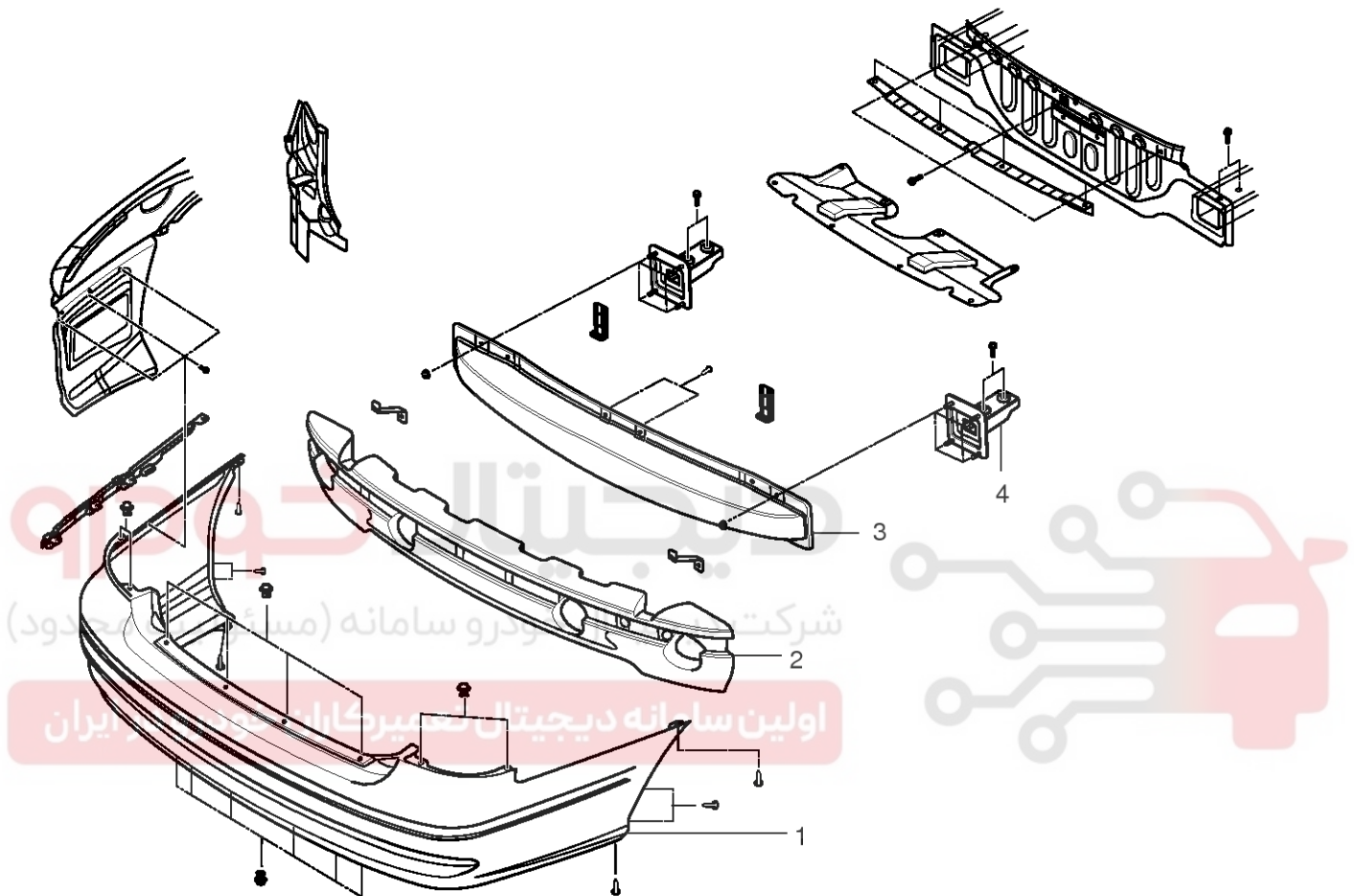


# Bumper

**BD-87**

rear bumper

COMPONENTS



1. Rear bumper cover
2. Rear bumper energy absorber foam

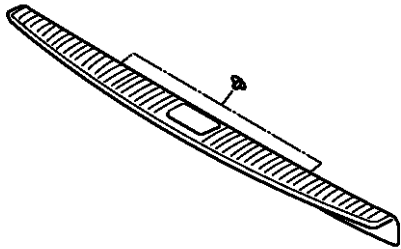
3. Rear bumper beam
4. Rear bumper stay

LSCD024A

**BD-88****Body (Interior and Exterior)****REMOVAL AND INSTALLATION**

## 1. Remove rear transverse trim.

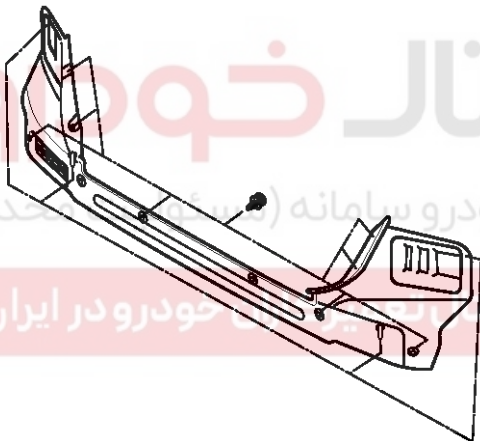
- 1) Remove trunk lid weatherstrip.
- 2) Remove rear transverse trim fasteners(2).



ASCD024B

## 2. Remove luggage rear trim.

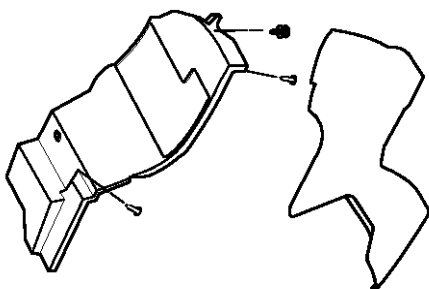
- 1) Remove luggage rear trim screws(4) and fasteners(10).



ASCD024C

## 3. Remove luggage side trim(LH).

- 1) Remove luggage hook.
- 2) Remove luggage side trim fasteners(4) and screws(2).

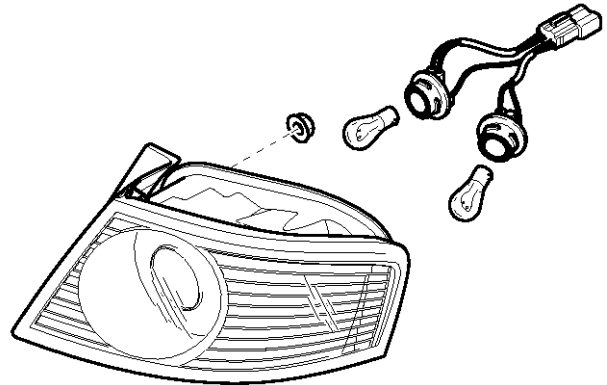


ASCD024D

## 4. Remove luggage side trim(RH).

## 5. Remove rear combination lamp(LH).

- 1) Remove rear combination lamp assembly cover.
- 2) Remove rear combination lamp nuts(4).



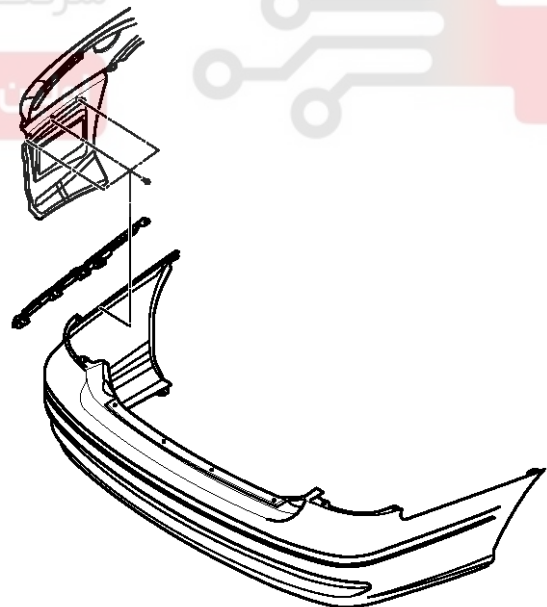
ASCD024E

## 3) Disconnect rear combination lamp connector.

## 6. Remove rear combination lamp(RH).

## 7. Remove rear bumper assembly.

- 1) Remove bolts(6) from left/right side of trunk.

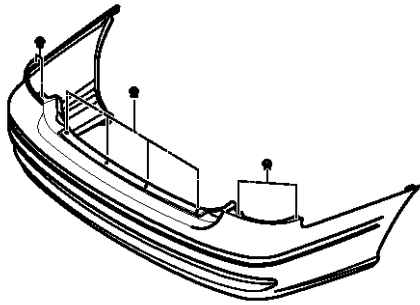


ASCD024F

# Bumper

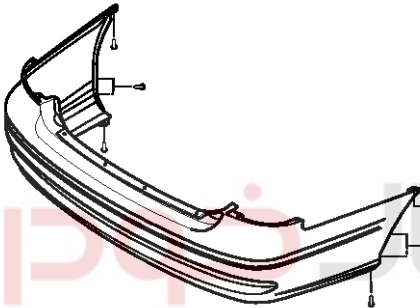
## BD-89

- 2) Disconnect rear bumper connector.
- 3) Remove fasteners(8) from top of rear bumper.



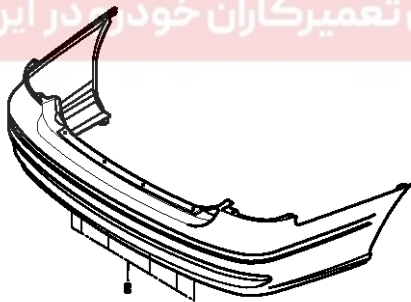
ASCD024G

- 4) Remove screws(8) from left/right side of rear bumper.



ASCD024H

- 5) Remove fasteners(7) from bottom of rear bumper.

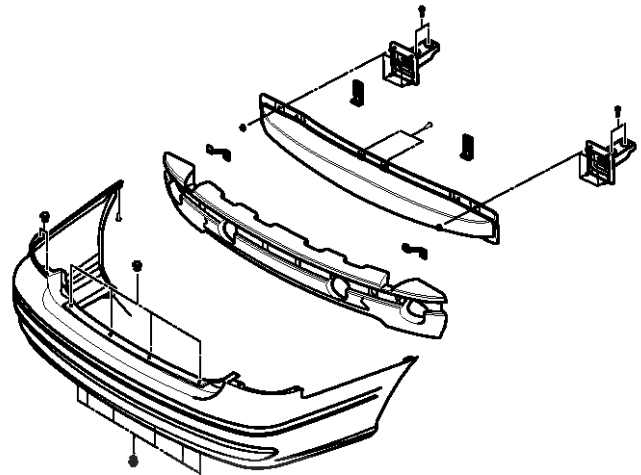


ASCD024J

- 6) Remove rear bumper mounting bolts(4).

Tightening torque:

35-55N·m (3.5-5.5kg·m, 25.3-39.8lb·ft)



ASCD024K

8. Install in reverse order of removal.



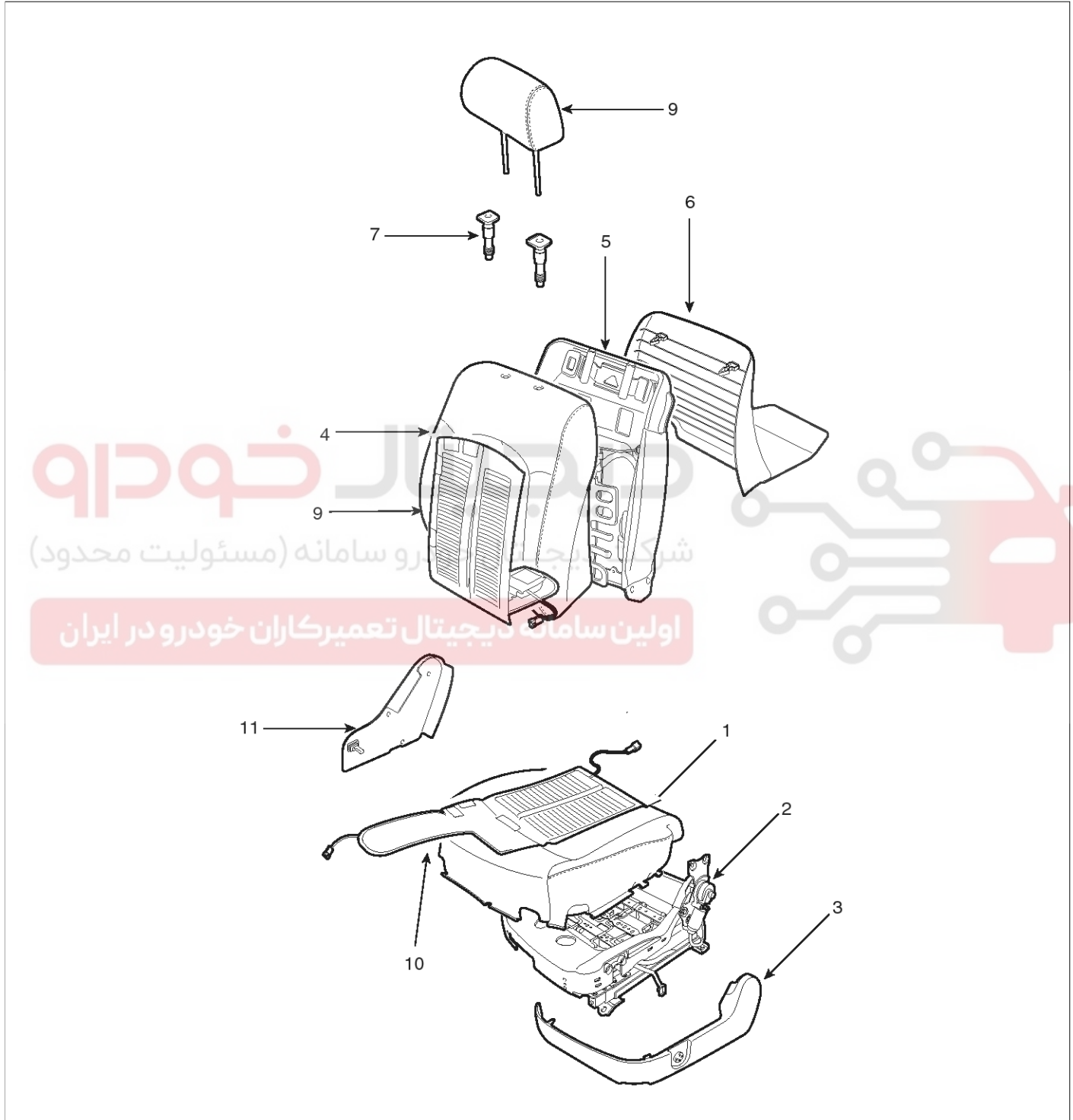
# BD-90

# Body (Interior and Exterior)

## Seat & Power Seat

### Front Seat

#### COMPONENTS



- |                       |                    |                         |
|-----------------------|--------------------|-------------------------|
| 1. Seat cushion       | 5. Seat back frame | 9. Seat back heater     |
| 2. Seat cushion frame | 6. Back panel      | 10. Seat cushion heater |
| 3. Recliner cover     | 7. Headrest guide  | 11. Recliner cover      |
| 4. Seat back cushion  | 8. Headrest        |                         |

# Seat & Power Seat

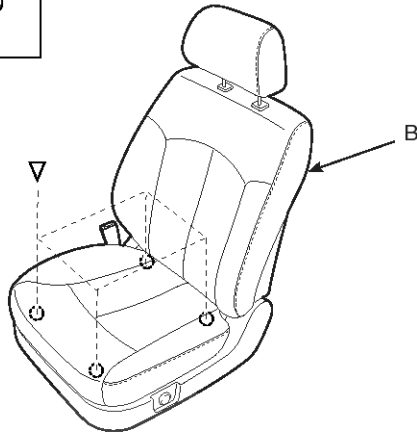
# BD-91

SGHBD6040L

## REPLACEMENT

1. Remove the seat assembly mounting cover (A).
2. After loosening the seat assembly mounting bolts and nuts, remove the seat assembly (B).

▷: Bolt locations

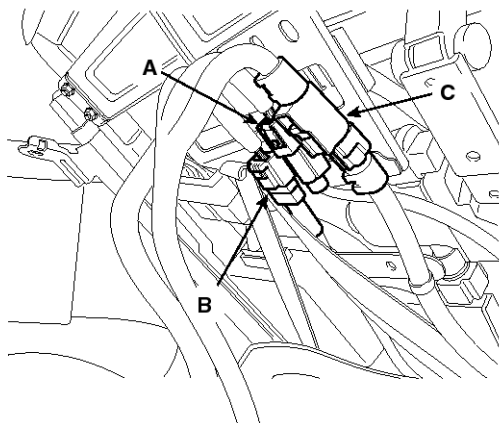


SGHBD6014L

3. Disconnect the connectors, and remove the seat assembly.

## DRIVER'S

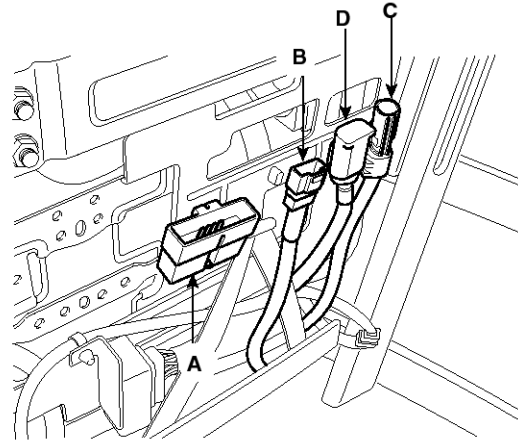
- Disconnect the power seat connector (A), seat belt buckle connector (B), airbag connector (C).



SGHBD6015N

## PASSENGER'S

- Disconnect the power seat connector (A), seat belt buckle connector (B), airbag connector (C) OCS connector (D).



SGHBD6016N

4. Installation is the reverse of removal.

## CAUTION

### SEAT MOUNTING BOLT INSTALLATION PROCEDURE (manual seat only)

- Set the into the most rearward position. Check then each slide is locked, and then Tighten the front mounting bolt temporarily.
- Set the seat into most forward position. Check that each slide is locked, and then Tighten the rear mounting bolt completely.
- Set the seat into the most rearward position. Check the front mounting bolt completely.
- Check that the seat operates to and fro smoothly and the locking portion locks properly.

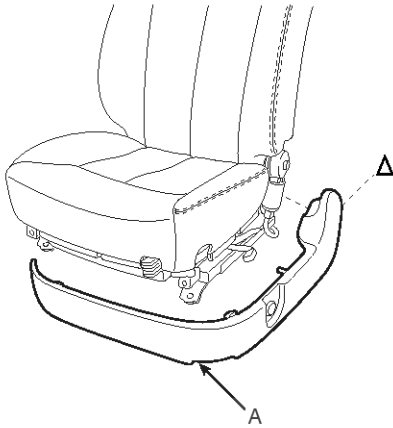
# BD-92

# Body (Interior and Exterior)

## RECLINER COVER REPLACEMENT

1. After loosening the mounting screws, then remove the recliner cover (A).

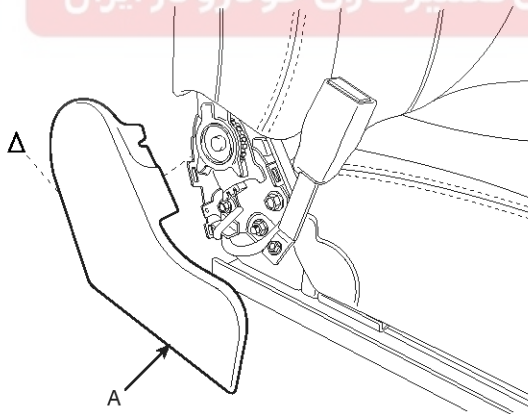
▷ : Screw locations



SGHBD6017L

2. Gently detach the hook, remove the recliner cover (A).

▷ : Screw locations

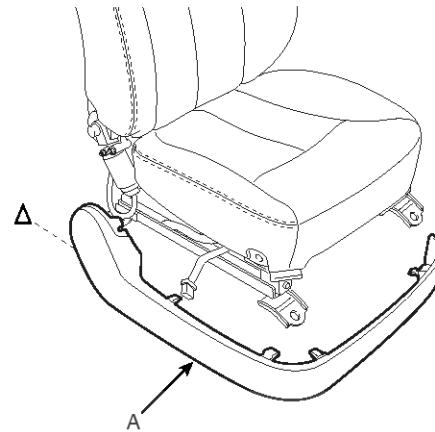


SGHBD6019L

3. Installation is the reverse of removal.

4. After loosening the mounting screw, then remove the recliner cover (A).

▷ :



SGHBD6020D

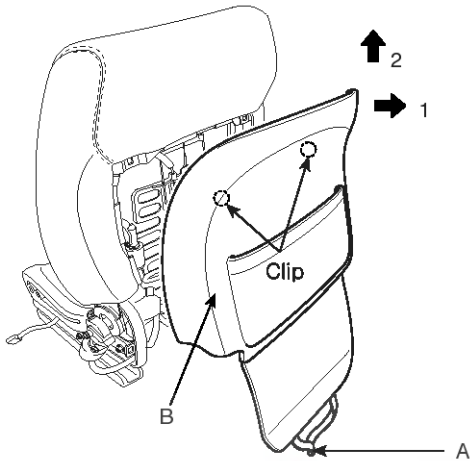
5. Installation is the reverse of removal.

# Seat & Power Seat

# BD-93

## SEAT BACK COVER REPLACEMENT

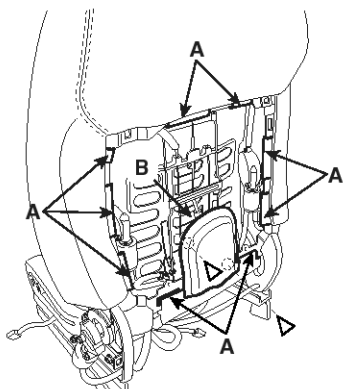
1. Remove front seat assembly (Refer to page BD-00).
2. Remove the recliner cover (Refer to page BD-00).
3. After disconnecting the scuff band (A), remove theseat back panel (B).



SGHBD6021L

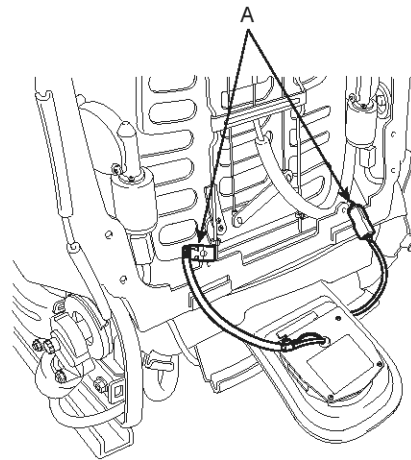
4. Disconnect the protector (A) from the back frame.
5. Loosen the blower (B) mounting screw.

▷: Screw locations



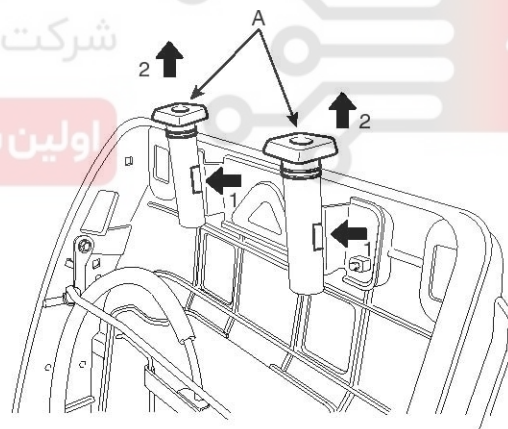
SGHBD6022L

6. Disconnect the connector (A).



SGHBD6023D

7. Pull out the headrest guides (A) while pinching the end of the guides, and remove them.

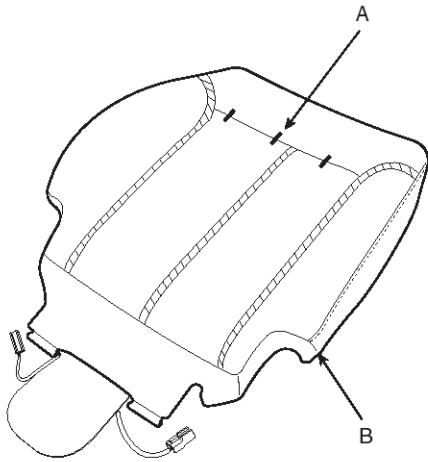


SGHBD6024D

# BD-94

# Body (Interior and Exterior)

8. After removing the hog-ring clip (A) on the front of seat cushion and remove the seat cushion cover (B).

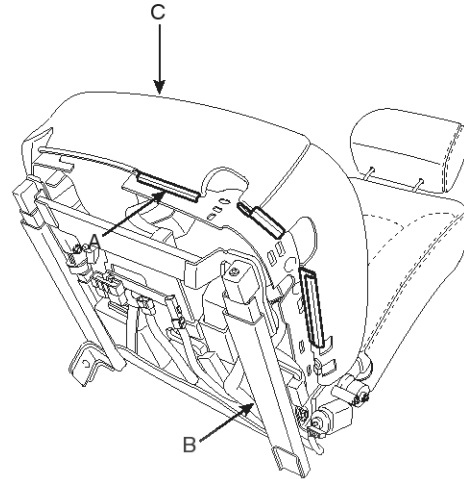


SGHBD6025D

9. Installation is the reverse of removal.

## SEAT CUSHION COVER REPLACEMENT

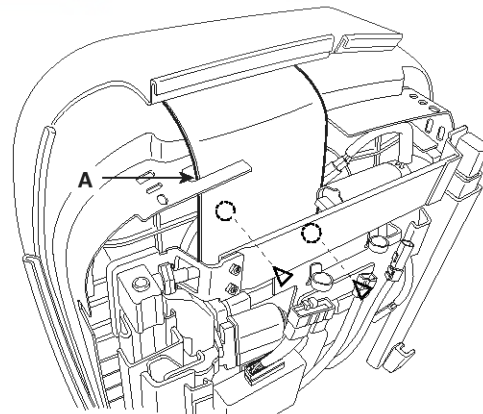
1. Remove front seat assembly (Refer to page BD -00).
2. Remove the recliner cover (Refer to page BD-00).
3. After disconnect the protector (A), then remove the seat cushion (B).



SGHBD6026D

4. Loosen the blower mounting screw (B).

▷ : Screw locations

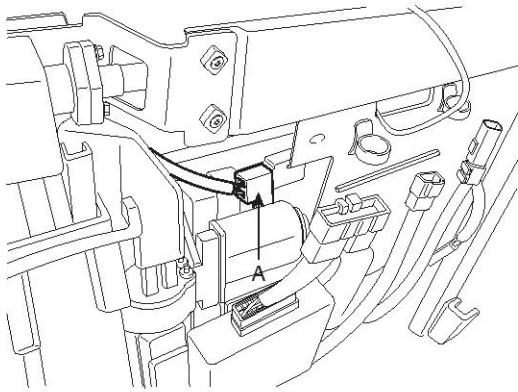


SGHBD6027L

# Seat & Power Seat

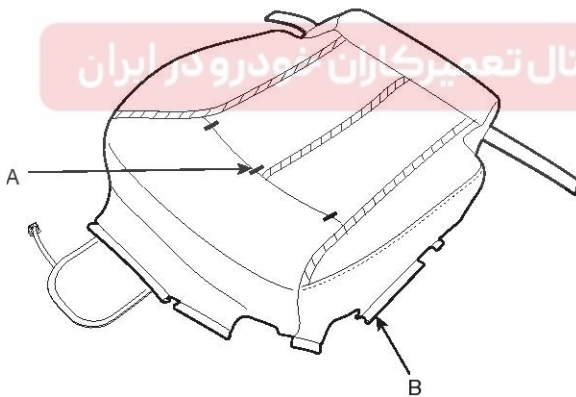
# BD-95

5. Disconnect the connector (A).



SGHBD6028D

6. After removing the hog-ring clip (A) on the front of seat cushion and remove the seat cushion cover (B).



SGHBD6029D

7. Installation is the reverse of removal.

## SEAT FRAME REPLACEMENT

1. Remove the following items.

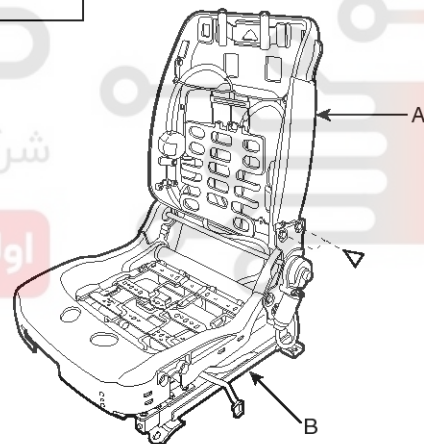
- Front seat assembly (Refer to page BD-00).
- Recliner cover (Refer to page BD-00).
- Seat back panel (Refer to page BD-00).
- Headrest guide (Refer to page BD-00).
- Seat back cover (Refer to page BD-00).
- Seat cushion (Refer to page BD-00).

2. After loosening the mounting bolts, then disconnect the seat back frame (A) and seat cushion frame (B).

### NOTICE

- Remove the side air bag for replacing side air bag installation seat.
- Be fore service, be fully aware of precautions and service procedure relevant to air bag (Refer to page RT-Airbag).

▷: Bolt Locations



SGHBD6030N

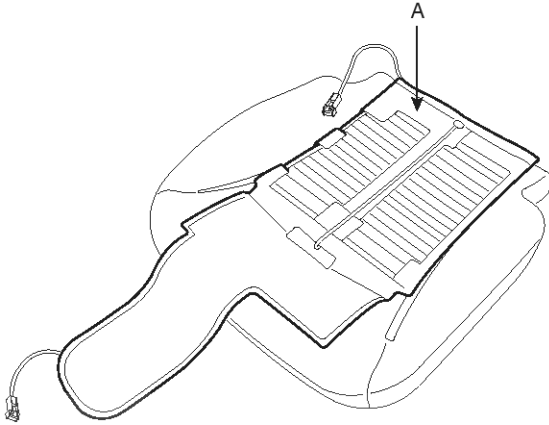
3. Installation is the reverse of removal.

### NOTICE

- After installing the OCS, confirm proper system operation: Turn the ignition switch ON, the SRS indicator should be turned on for about six seconds and then go off.
- Telltale lamp will turn on for 4 seconds and be turned off afterward. (Refer to RT group)

**BD-96****Body (Interior and Exterior)****SEAT CUSHION HEATER REPLACEMENT**

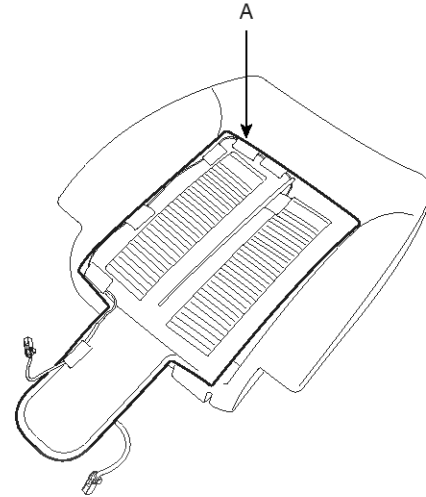
1. Remove the seat cushion cover (Refer to page BD-00).
2. Remove the seat cushion heater (A).
3. Install the seat cushion cover.



SGHBD6037D

**SEAT BACK HEATER REPLACEMENT**

1. Remove the seat back cover (Refer to page BD- 00).
2. Remove the seat back heater (A).
3. Install the seat back cover.



SGHBD6038D

دیجیتال خودرو  
 شرکت دیجیتال خودرو سامانه (مسئولیت محدود)

اولین سامانه دیجیتال تعمیرکاران خودرو در ایران

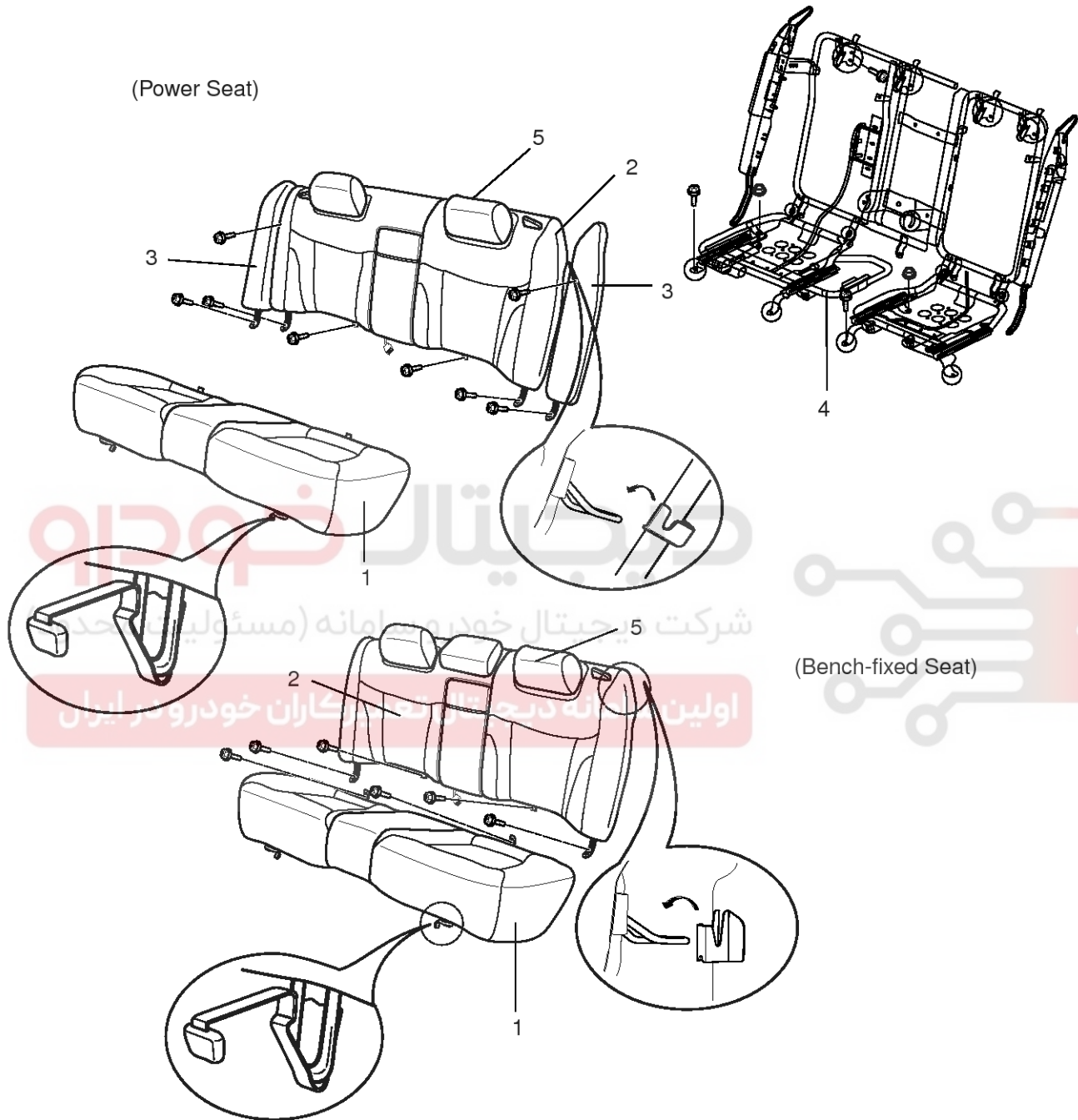


# Seat & Power Seat

# BD-97

rear seat

## COMPONENTS



- 1. Seat cushion
- 2. Seatback
- 3. Seatback side assembly & Airbag

- 4. Seat frame
- 5. Head rest

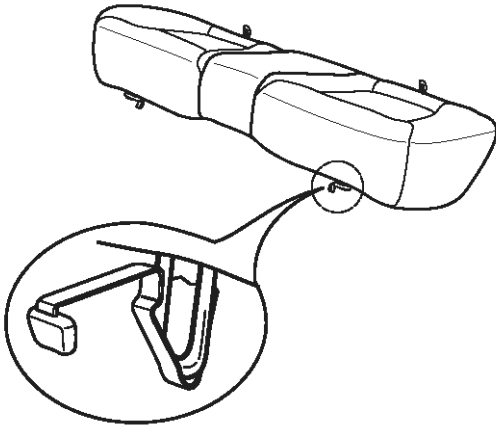
LSCD026A



**BD-98****Body (Interior and Exterior)****REMOVAL AND INSTALLATION****BENCH-FIXED SEAT**

1. Remove rear seat cushion.

- 1) Release seat cushion stopper.

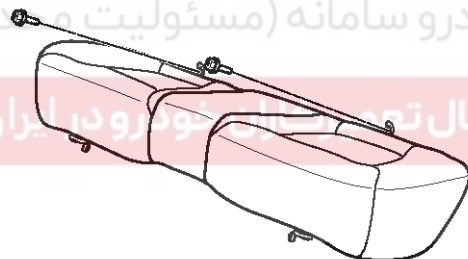


ASCD026B

- 2) Remove seat cushion bolts(2).

Tightening torque:

17-26N·m (1.7-2.6kg·m, 12.3-18.8lb·ft)



ASCD026C

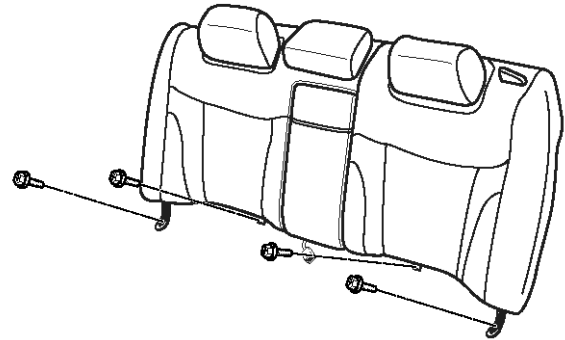
- 3) Disconnect seat cushion connector.

2. Remove rear seatback.

- 1) Remove seat back bolts(4).

Tightening torque:

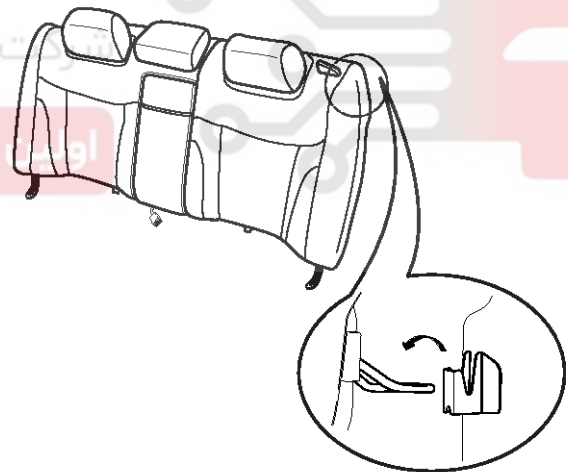
17-26N·m (1.7-2.6kg·m, 12.3-18.8lb·ft)



ASCD026D

- 2) Disconnect seatback & airbag connector.

- 3) Release seatback stopper, and then remove seatback.



ASCD026E

3. Install in reverse order of removal.

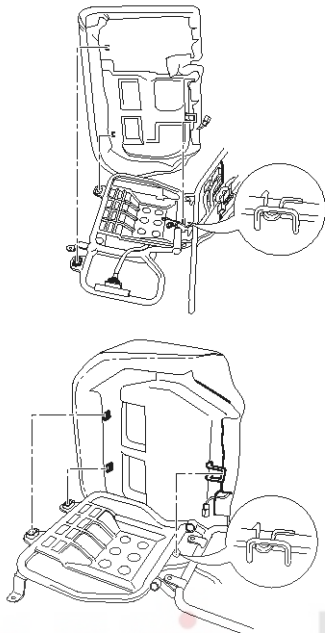
# Seat & Power Seat

# BD-99

## Power Seat

1. Remove rear seat cushion.

1) Release seat cushion stopper.



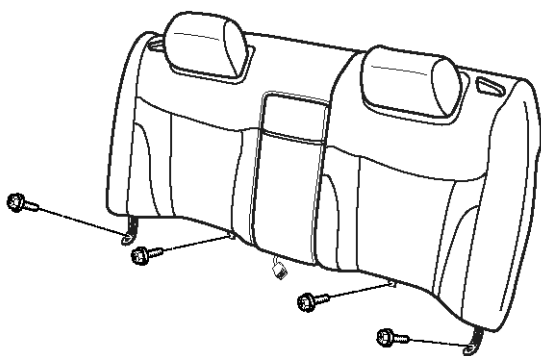
ASCD026F

2) Disconnect seat cushion connector.

2. Remove rear seatback.

1) Remove seatback bolts(5).

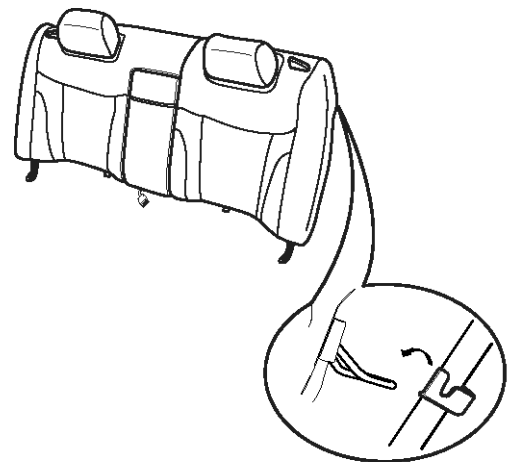
Tightening torque:  
17-26N·m (1.7-2.6kg·m, 12.3-18.8lb·ft)



ASCD026G

2) Disconnect seatback connector.

3) Release seatback stopper, and then remove seatback.



ASCD026H

3. Remove seatback side assembly.

1) Remove seatback side assembly bolts(2).

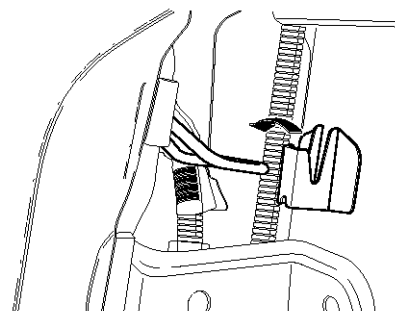
Tightening torque:  
17-26N·m (1.7-2.6kg·m, 12.3-18.8lb·ft)



ASCD026J

2) Disconnect airbag connector.

3) Release seatback side assembly stopper, and then remove seatback side assembly.



ASCD026K

## BD-100

## Body (Interior and Exterior)

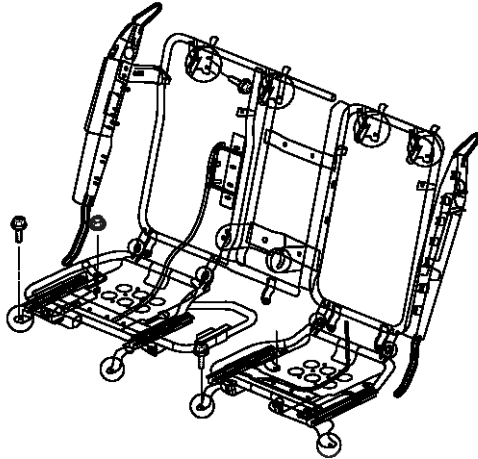
4. Remove rear seat frame.

- 1) Remove seat frame bolts(12) and nuts(4).

Tightening torque

Seat frame bolts : 17-26N·m (1.7-2.6kg·m, 12.3-18.8lb·ft)

Seat frame nuts : 17-26N·m (1.7-2.6kg·m, 12.3-18.8lb·ft)



ASCD026L

- 2) Remove seat frame connector.

5. Install in reverse order of removal.

شرکت دیجیتال خودرو سامانه (مسئولیت محدود)

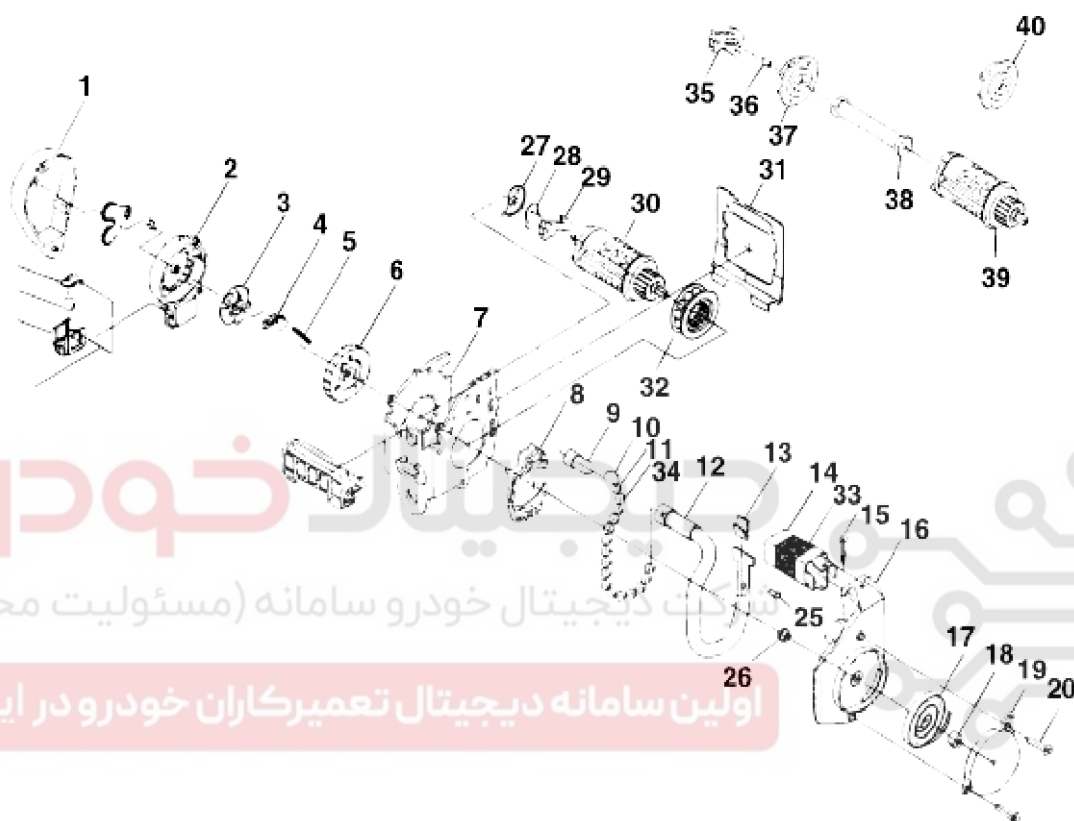
اولین سامانه دیجیتال تعمیرکاران خودرو در ایران



# Seat Belt

# BD-101

## Seat Belt COMPONENTS



1. COVER-L/RH	13. BALL STOPPING SPRING	31. DISTANCE SHEET
2. BEARING PLATE-L/RH	14. BALL TRAP-L/RH	32. PINION GEAR
3. INERTIA MASS	15. SCREW	33. LABEL
4. WEB SENSOR PAWL	16. TUBE COVER-L/RH	34. BALL ALUMINUM
5. WEB SENSOR SPRING	17. REWINDING SPRING	35. LOCK G ELEMENT (L/L)-L/RH
6. STEERING DISC-L/RH	18. SPRING CORE-L/RH	36. NECK
7. BASE L/RH	19. SPRING COVER-L/RH	37. TREAD HEAD (W/STOP)-L/RH
8. BALL L/RH	20. RIVET	38. TORSION BAR-5.5kN
9. GAS GENERATOR	27. RETAINING WASHER-L/RH	39. SPINDLE (L/L)-L/RH
10. TUBE SPRING	28. LOCK DISC SPRING	40. TREAD HEAD (W/OUT STOP)-L/RH
11. PISTON	29. LOCKING ELEMENT-L/RH	
12. TURF-I /RH	30. SPINDLE-I /RH	

LR8C018A

## BD-102

## Body (Interior and Exterior)

### FUNCTION OF PRETENSIONER

When a vehicle crashes with a certain degree of frontal impact, the gas generator will ignited an electrical firing signal from the SRSCM (Supplemental Restraint System Control Module).

Gas from the gas generator causes movement of the piston in the manifold case (cylinder), which operates the rack gear.

The rack gear, rotates a piston gear and a pinion rotates the planet gears.

Finally, the webbing is retracted by the rotation of the spool. Therefore, the pretensioner seat belt helps to reduce the severity of injury to the front seat occupan by retraction the seat belt webbing, This prevents the occupant from thrusting forward and hitting the steering wheel or the instrument panel when the vehicle crashes.

دیجیتال خودرو

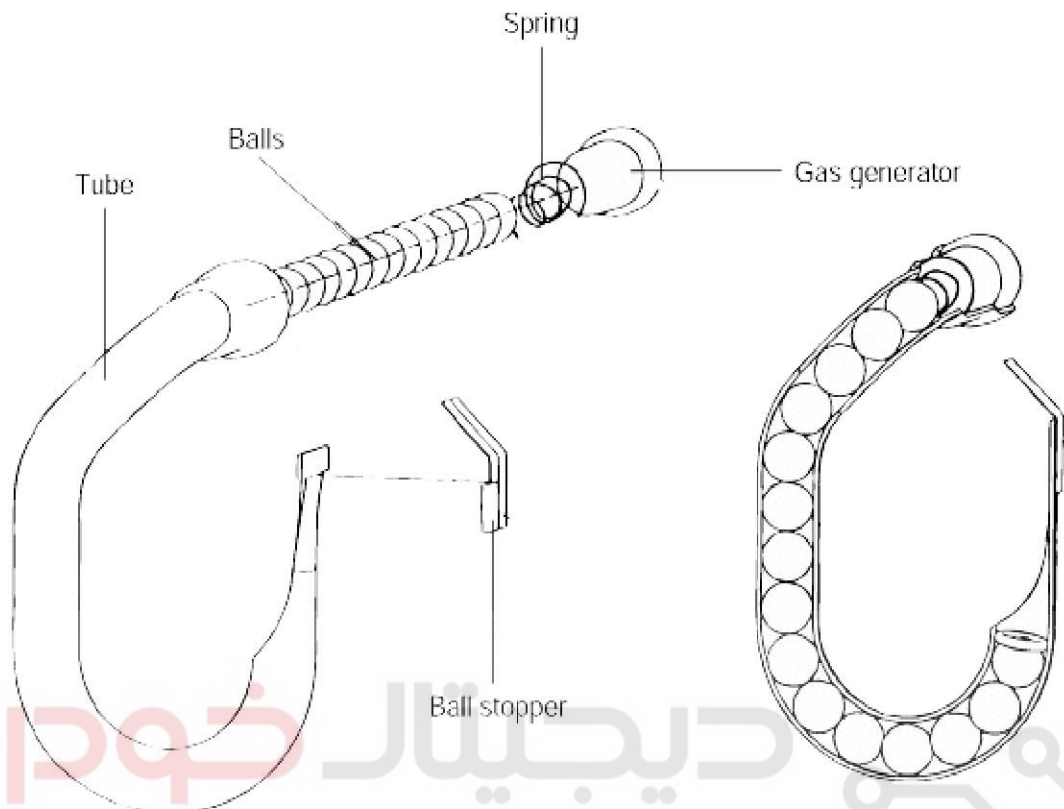
شرکت دیجیتال خودرو سامانه (مسئولیت محدود)

اولین سامانه دیجیتال تعمیرکاران خودرو در ایران

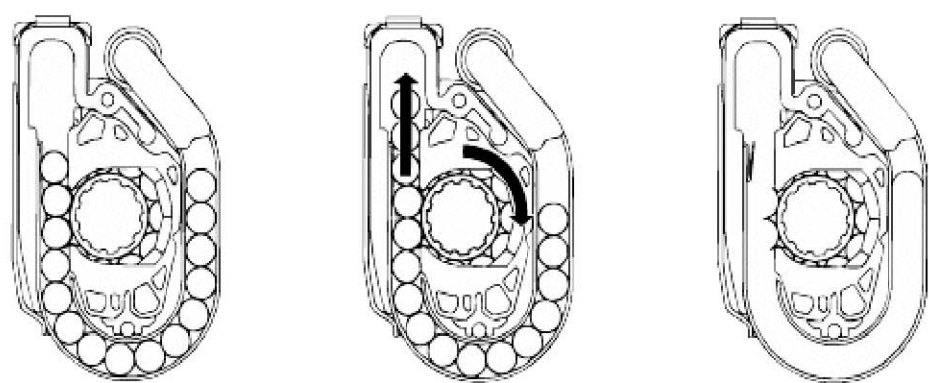


Seat Belt

BD-103



دیجیتال خودرو  
 شرکت دیجیتال خودرو سامانه (مسئولیت محدود)  
 اولین سامانه دیجیتال تعمیرکاران خودرو در ایران



LR8C019A

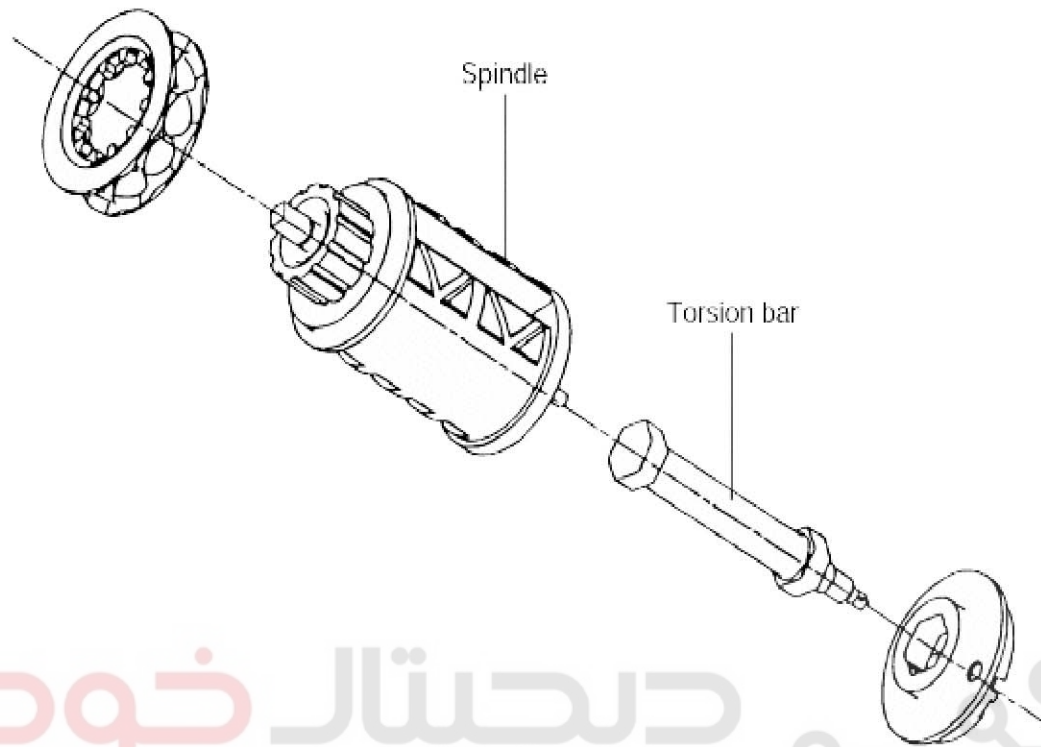
**LOAD LIMITER**

The load limiter is designed to relieve the impact force to on occupant chest's of the seat belt webbing when the occupant is restrained by the seat belt during a crash.

If the crash force reaches a certain value, the torsion bar in the pretensioned seat belt will deform and cause the webbing to extracted from the seat belt, thus, relieving the impact force.

# BD-104

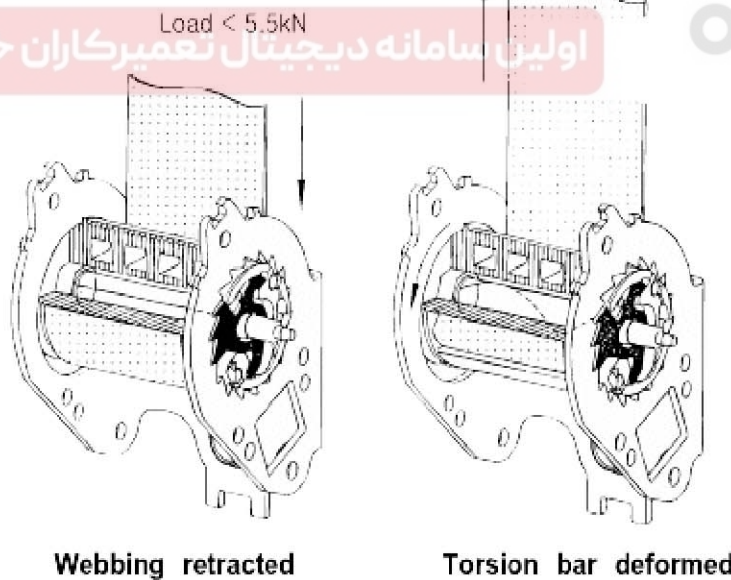
# Body (Interior and Exterior)



دیجیتال خودرو

شرکت دیجیتال خودرو سامانه (مسئولیت محدود)

اولین سامانه دیجیتال تعمیرکاران خودرو در ایران



LR8C020A

# Seat Belt

# BD-105

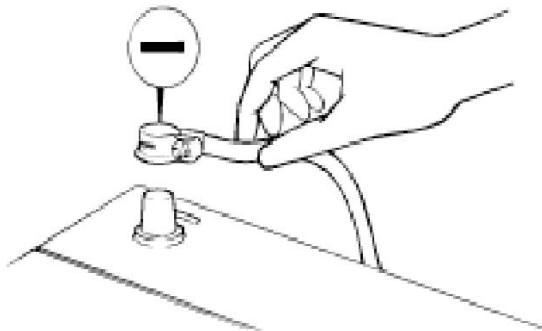
## SEAT BELT PRETENSIONER

### REMOVAL

1. Disconnect the battery negative (-) terminal and remove the ignition key from the vehicle.

#### ⚠ CAUTION

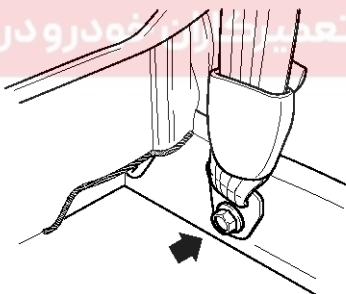
Wait at least 30 seconds.



ARCD512A

2. Remove seat belt lower anchor bolts (2).

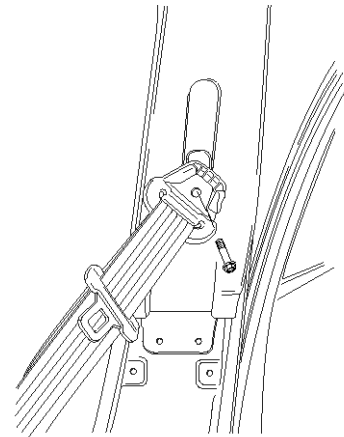
Tightening Torque : 40 -55 N·m (4.0 - 5.5 kg·m, 28.9 - 39.8 lb-ft)



ASCD027B

3. Remove seat belt upper anchor bolts (2).

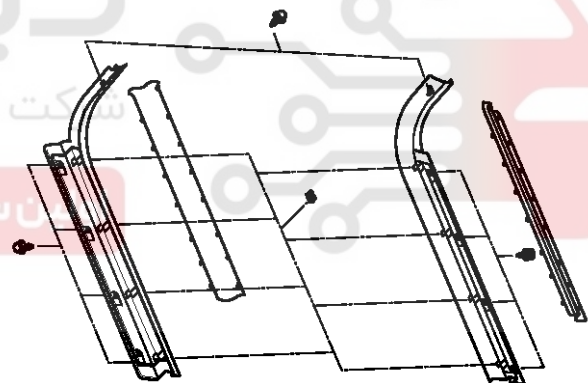
Tightening Torque : 40 -55 N·m (4.0 - 5.5 kg·m, 28.9 - 39.8 lb-ft)



ASCD027C

4. Remove the center pillar lower trim.

- 1) Remove the front door scuff trim.



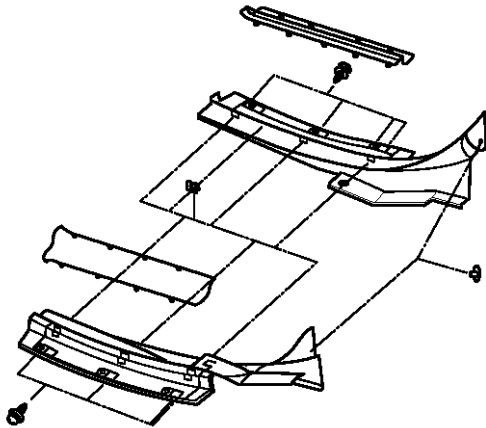
ASCD012B



# BD-106

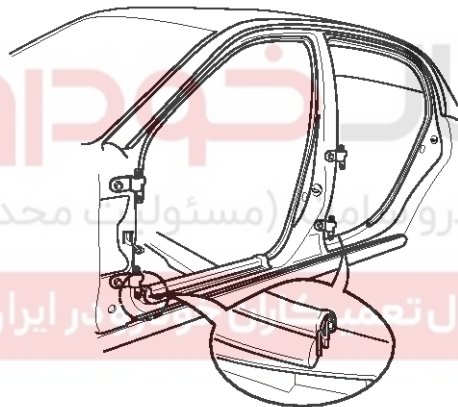
# Body (Interior and Exterior)

2) Remove the rear door scuff trim.



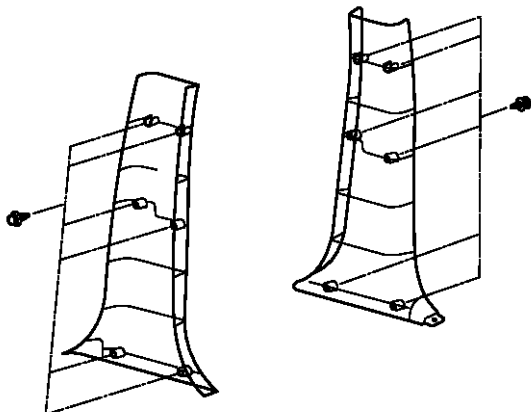
ASCD016C

3) Remove the front/rear door opening weatherstrip.



ASCD016B

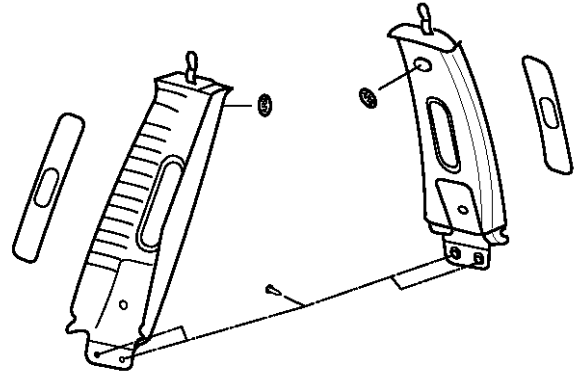
4) Remove the center pillar lower trim.



ASCD016D

5. Remove the center pillar upper trim.

- 1) Remove the center pillar upper trim cap.
- 2) Unscrew the screws (3).



ASCD016F

3) Remove the center pillar upper trim.

6. Remove the seat-belt pretensioner (BPT).

- 1) Disconnect the gas generator connector.
- 2) Remove the retractor bolt (1).

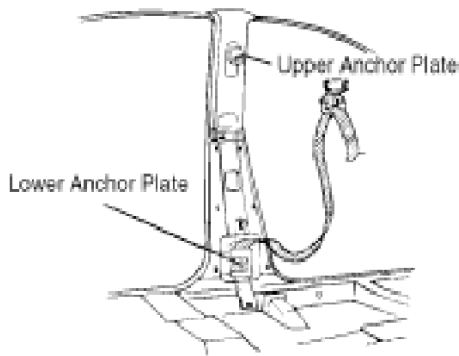


ASCD027D

## Seat Belt

## BD-107

- 3) Disconnect the seat-belt pretensioner connector.



LRCD516D

### ⚠ CAUTION

- Never attempt to disassemble or repair the BPT.
- Do not drop the BPT or allow contact with water, grease, oil. Replace it if a dent, crack, deformation or rust amp is detected.
- Do not place anything on the BPT.
- Do not expose the BPT to temperature over 93°C (200°F).
- BPT functions one time only. Be sure amp to replace the BPT after it is deployed.
- Be sure to wear gloves and safety goggles when handling the deployed BPT.



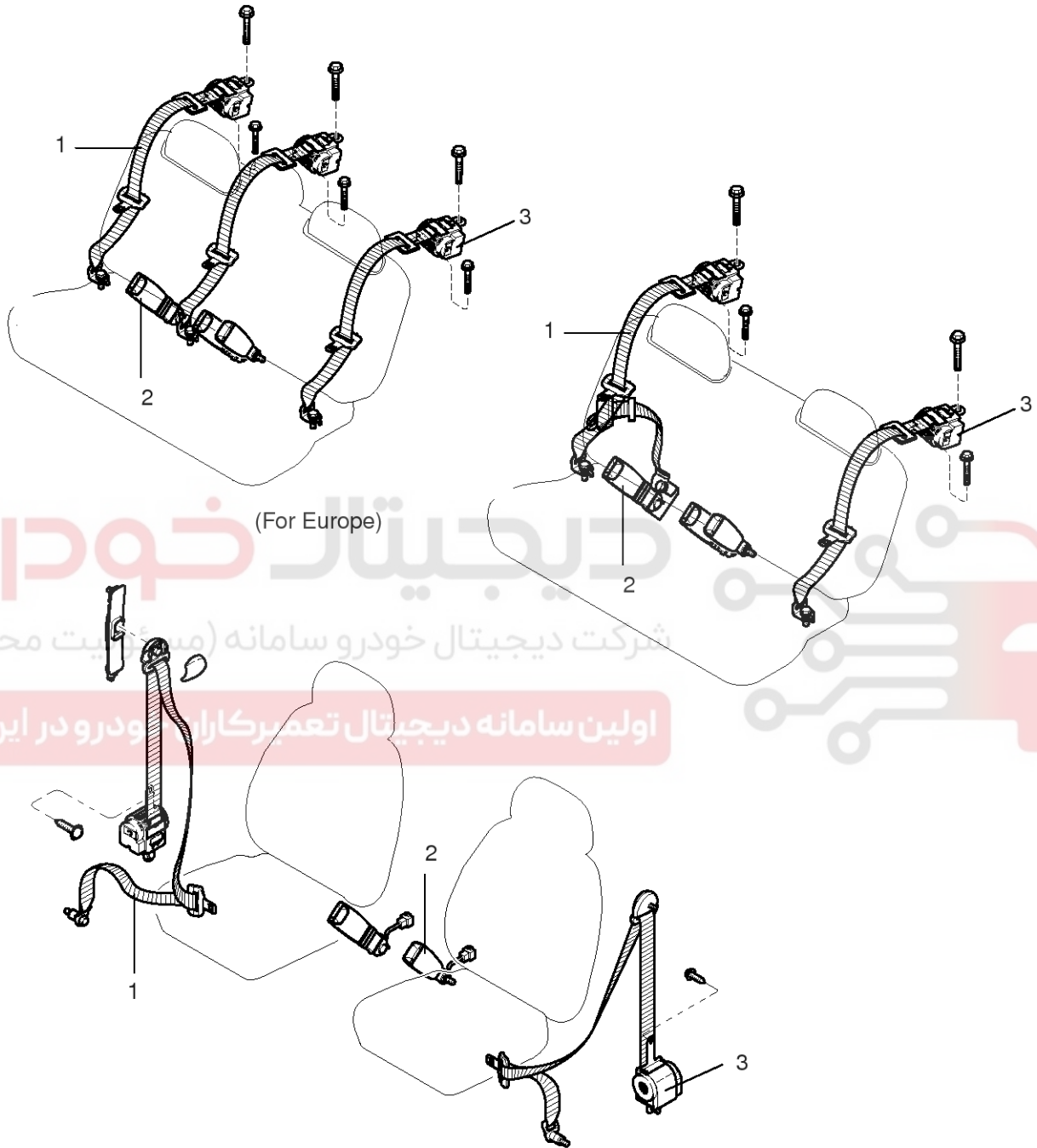
اولین سامانه دیجیتال تعمیرکاران خودرو در ایران

# BD-108

# Body (Interior and Exterior)

## front seat belt

### COMPONENTS



- 1. Seat belt
- 2. Seat belt buckle

- 3. Seat belt retractor

LSCD027A

# Seat Belt

# BD-109

## INSPECTION

1. Inspect buckle assembly mounting to ensure that it is secure.
2. Inspect anchor assembly mounting to ensure that it is secure.
3. Remove center pillar lower trim.
4. Inspect retractor assembly mounting to ensure that it is secure.
5. Install center pillar lower trim.
6. Extend seat belt fully to ensure its motion is smooth and easy.
7. Retract safety belt fully to ensure its motion is smooth and easy.
8. Press buckle release button to ensure that it releases correctly and returns to its original position.  
Do not disassemble either buckle or retractor assemblies. They are not repairable.
9. Inspect safety belt reminder system with driver's safety belt retracted. Turn ignition key to "ON" position. Safety belt icon on warning and indicator panel will light up and a chime will be heard. Lighted icon and chime indicate that driver's safety belt is not buckled. Chime will not be heard after 5-6 seconds. Turn ignition key to "LOCK" position. Safety belt icon and chime will extinguish. Turn key to "ON" position. Just as before, safety belt icon will light up and chime will be heard. Buckle driver's safety belt. Safety belt icon and chime will extinguish. Turn key to "LOCK" position and remove key.

## ⊗WARNING

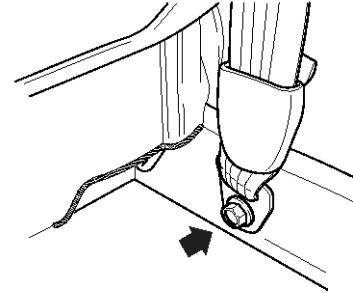
If a seat belt is not functioning and cannot be immediately repaired, warn the customer not to use that seating position. If the customer must use that seating position, encourage the customer to use a substitute vehicle until the proper repairs can be made. If the customer refuses, refer the matter to the Service Manager.

## REMOVAL AND INSTALLATION

1. Remove seat belt lower anchor bolt.

Tightening torque:

40-55N·m (4.0-5.5kg·m, 28.9-39.8lb·ft)

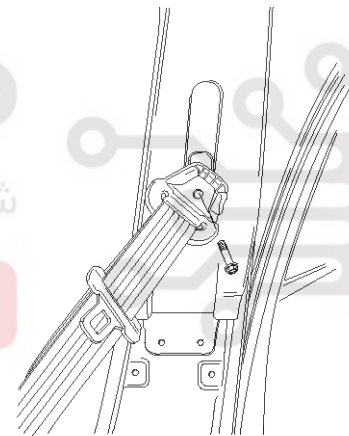


ASCD027B

2. Remove seat belt upper anchor bolt.

Tightening torque:

40-55N·m (4.0-5.5kg·m, 28.9-39.8lb·ft)



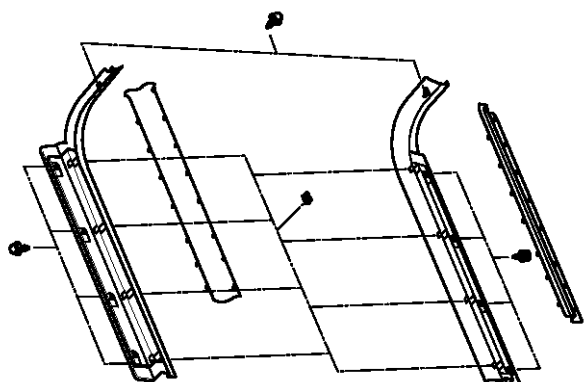
ASCD027C

# BD-110

# Body (Interior and Exterior)

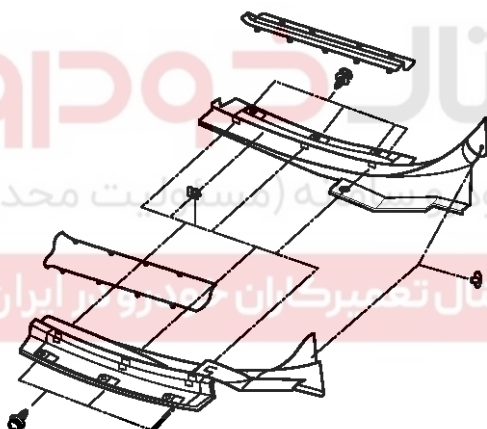
3. Remove center pillar lower trim.

1) Remove front door scuff trim.



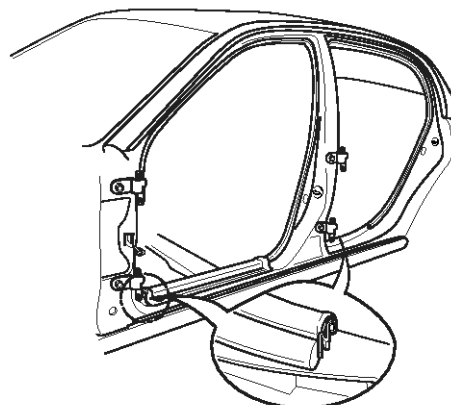
ASCD012B

2) Remove rear door scuff trim.



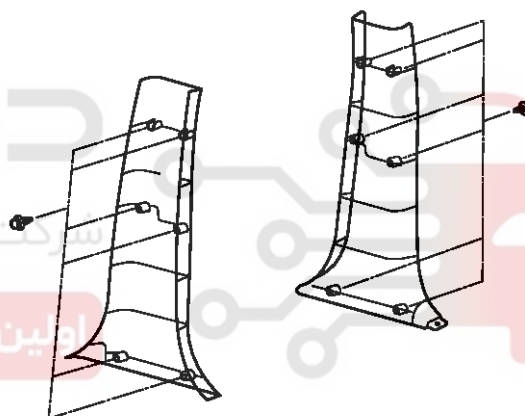
ASCD016C

3) Remove door opening weatherstrip.



ASCD016B

4) Remove center pillar lower trim.

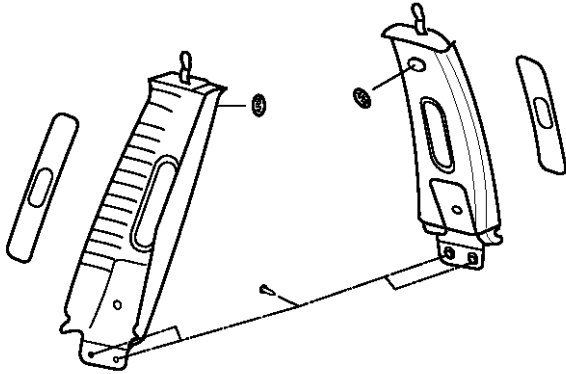


ASCD016D

# Seat Belt

# BD-111

4. Remove center pillar upper trim.
- 1) Remove center pillar upper trim blanking cover.
  - 2) Remove center pillar upper trim screws(2).



ASCD016F

- 3) Remove center pillar upper trim.

5. Remove retractor assembly.

### ⚠ CAUTION

- A pretensioner functions one time only. Be sure to replace the pretensioner seat belt after it is deployed.
- Do not attempt to disassemble or repair the seat belt pretensioner. If it malfunctions, replace it with a new pretensioner seat belt.
- Be cautions in handling a pretensioner seat belt, and do not expose it to water or oil. If crushed, damaged, or deformed, replace it with a new one.
- Connect the battery only after the installation of the pretensioner seat belt has been correctly completed.
- Removal of pretensioner retractor :
  - a. Turn ignition switch "OFF".
  - b. Disconnect negative battery cable.
  - c. Wait for about 1 minute.
  - d. Disconnect gas generator connector.
  - e. Remove retractor mounting bolt(1).
- 1) Remove retractor bolt(1).

Tightening torque:

17-26N·m (1.7-2.6kg·m, 12.3-18.8lb·ft)



ASCD027D

- 2) Disconnect pretensioner retractor connector.
- 3) Remove retractor assembly.

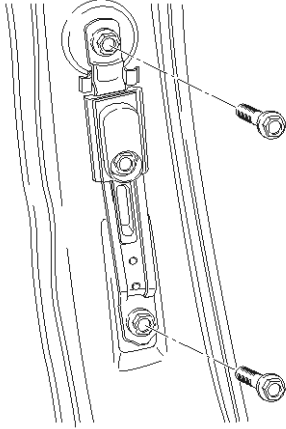
## BD-112

## Body (Interior and Exterior)

6. Remove seat belt height adjuster.
  - 1) Remove seat belt height adjuster bolts(2).

Tightening torque:

40-55N·m (4.0-5.5kg·m, 28.9-39.8lb·ft)



ASCD027E

7. Install in reverse order of removal.

### ⚠WARNING

Exercise care to install belt so there are no twists in it. A twisted belt may be harmful to a passenger in a serious accident. A twisted belt alters distribution of force resulting from sudden deceleration.

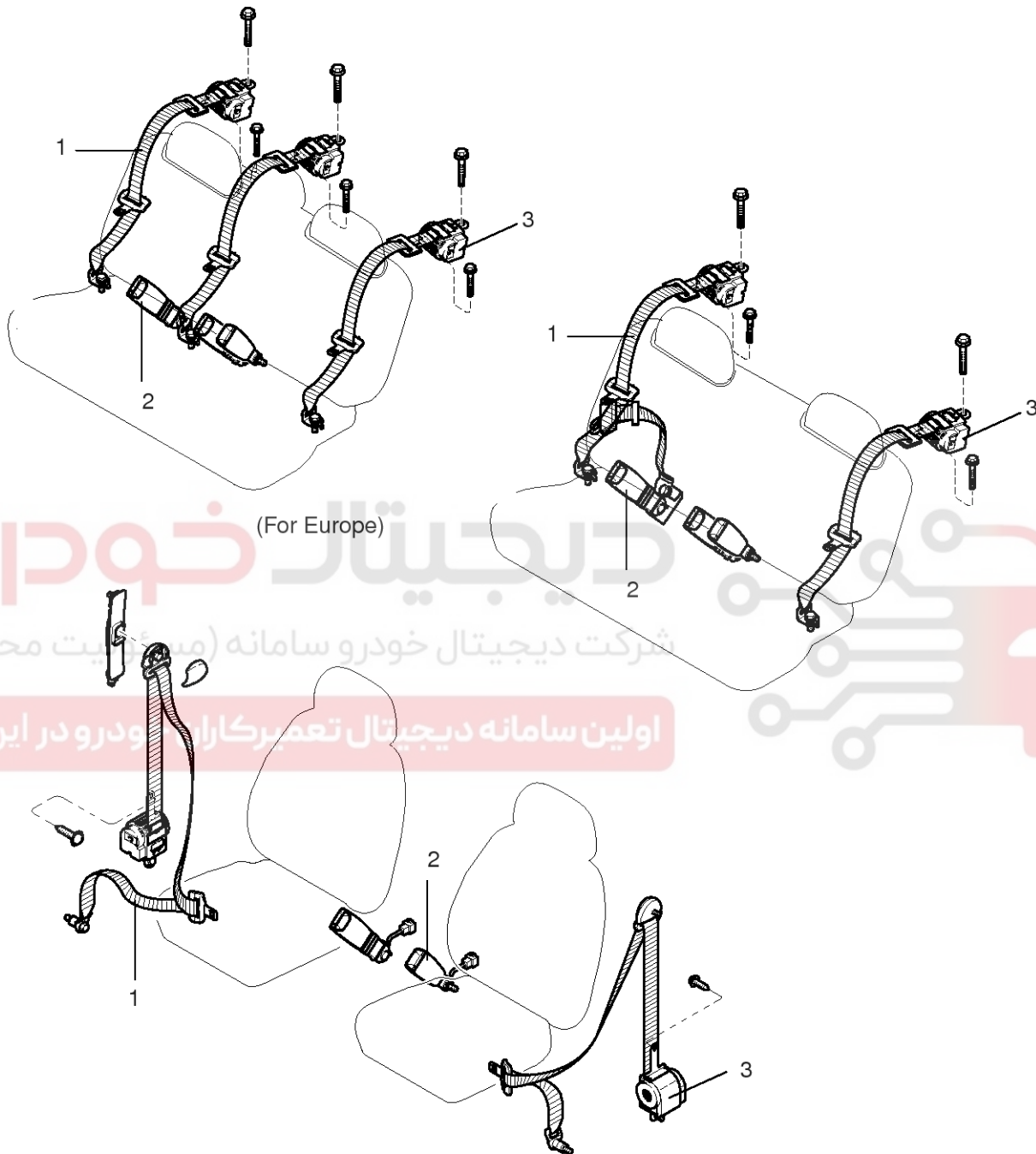
اولین سامانه دیجیتال تعمیرکاران خودرو در ایران



# Seat Belt

# BD-113

## rear seat belt COMPONENTS



- 1. Seat belt
- 2. Seat belt buckle

- 3. Seat belt retractor

LSCD027A



**BD-114****Body (Interior and Exterior)****INSPECTION**

1. Remove rear seat cushion.
2. Inspect buckle assembly mounting to ensure that it is secure.
3. Inspect anchor assembly mounting to ensure that it is secure.
4. Remove rear seatback.
5. Remove rear pillar trim and package tray assembly.
6. Inspect retractor assembly mounting to ensure that it is secure.
7. Install package tray and rear pillar trim.
8. Install rear seatback.
9. Extend seat belt fully to ensure its motion is smooth and easy.
10. Retract safety belt fully to ensure its motion is smooth and easy.
11. Buckle safety belt. Pull firmly on each side of buckle to ensure that it is secure.
12. Press buckle release button to ensure that it releases correctly and returns to its original position.

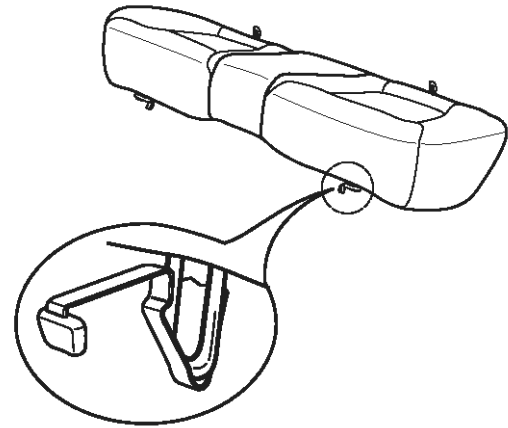
Do not disassemble either buckle or retractor assemblies. They are not repairable.

**⚠WARNING**

If a seat belt is not functioning and cannot be immediately repaired, warn the customer not to use that seating position. If the customer must use that seating position, encourage the customer to use a substitute vehicle until the proper repairs can be made. If the customer refuses, refer the matter to the Service Manager.

**REMOVAL AND INSTALLATION**

1. Remove rear seat cushion.
  - 1) Release seat cushion stopper.

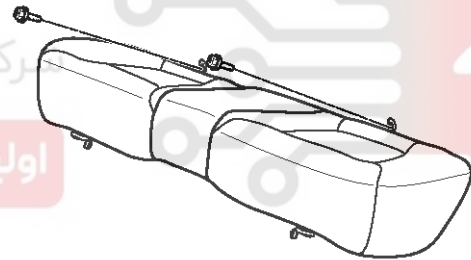


ASCD026B

- 2) Remove seat cushion bolts(2).

Tightening torque:

17-26N·m (1.7-2.6kg·m, 12.3-18.8lb·ft)



ASCD026C

- 3) Disconnect seat cushion connector.

# Seat Belt

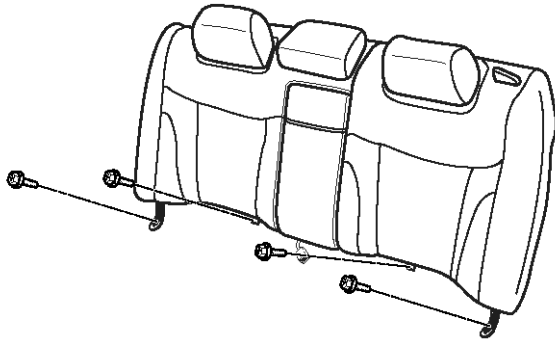
# BD-115

2. Remove rear seatback.

- 1) Remove seat back bolts(4).

Tightening torque:

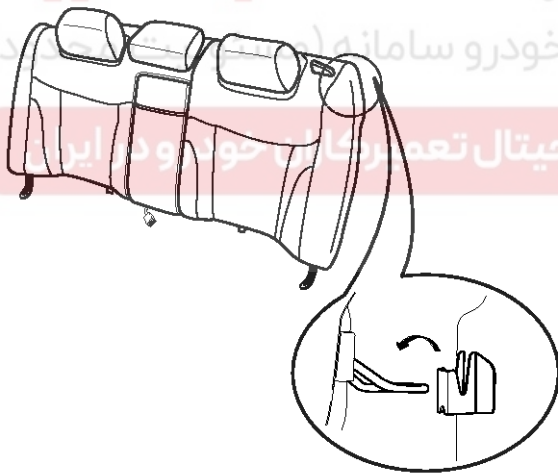
17-26N·m (1.7-2.6kg·m, 12.3-18.8lb·ft)



ASCD026D

2) Disconnect seatback & airbag connector.

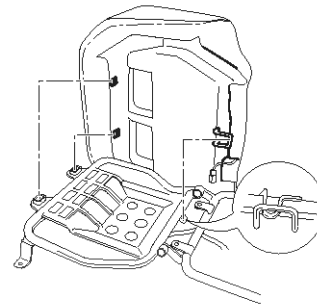
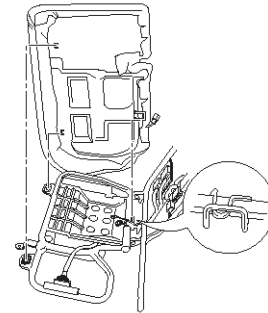
3) Release seatback stopper, and then remove seatback.



ASCD026E

3. Remove rear seat cushion.(For Power seat)

- 1) Release seat cushion stopper.



ASCD026F

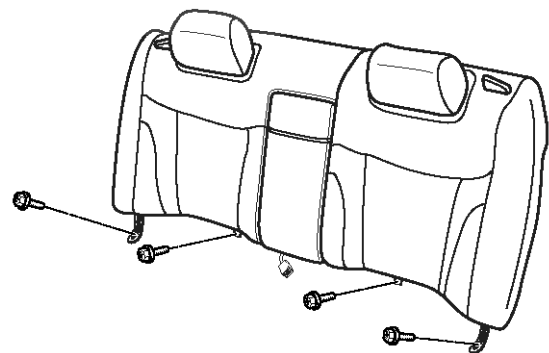
2) Disconnect seat cushion connector.

4. Remove rear seatback.(For Power seat)

- 1) Remove seatback bolts(5).

Tightening torque:

17-26N·m (1.7-2.6kg·m, 12.3-18.8lb·ft)

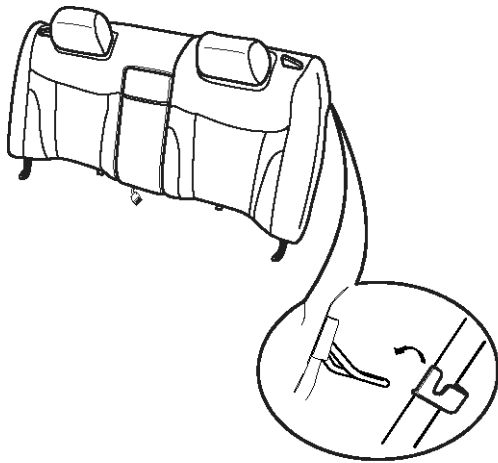


ASCD026G

# BD-116

# Body (Interior and Exterior)

- 2) Disconnect seatback connector.
- 3) Release seatback stopper, and then remove seatback.



ASCD026H

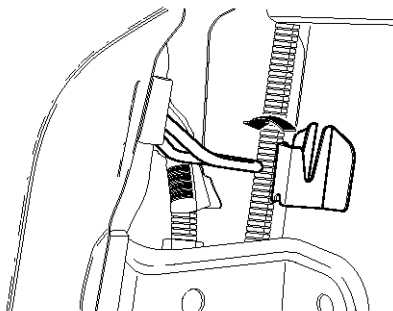
- 5. Remove seatback side assembly.(For Power seat)
  - 1) Remove seatback side assembly bolts(2).

Tightening torque:  
17-26N·m (1.7-2.6kg·m, 12.3-18.8lb·ft)



ASCD026J

- 2) Disconnect airbag connector.
- 3) Release seatback side assembly stopper, and then remove seatback side assembly.

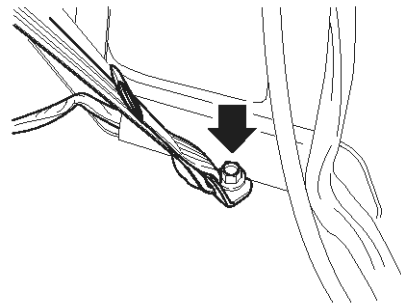


ASCD026K

- 6. Remove rear seat belt lower anchor bolt.

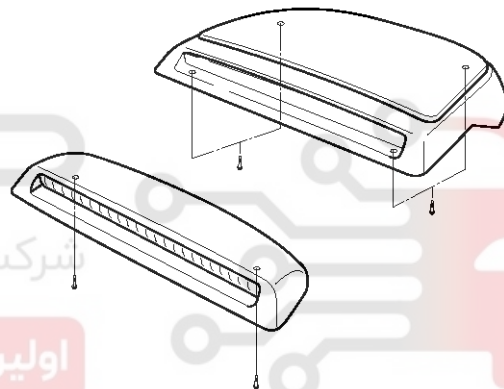
Tightening torque:

40-55N·m (4.0-5.5kg·m, 28.9-39.8lb·ft)



ASCD014C

- 7. Remove hi-mounted brake lights.
  - 1) Remove hi-mounted brake lights screws.



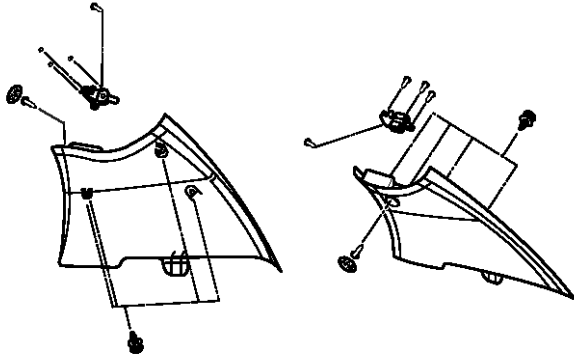
LSCD014B

- 2) Disconnect hi-mounted brake lights connector.

# Seat Belt

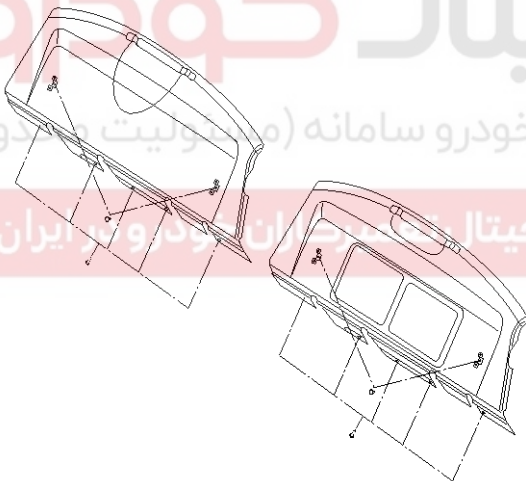
# BD-117

8. Remove rear pillar trim.
  - 1) Remove rear pillar trim blanking cover.
  - 2) Remove rear pillar trim screw(1).



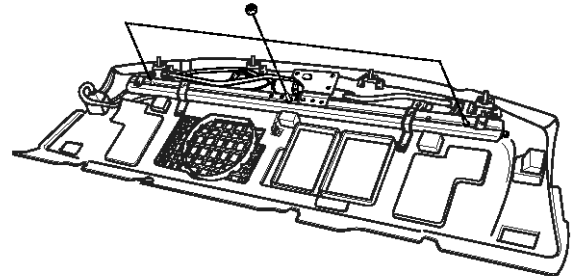
ASCD016G

9. Remove package tray.
  - 1) Remove package tray screws(5).



LSCD014D

- 2) Remove rear sun shade nuts(3). (Except for Europe)



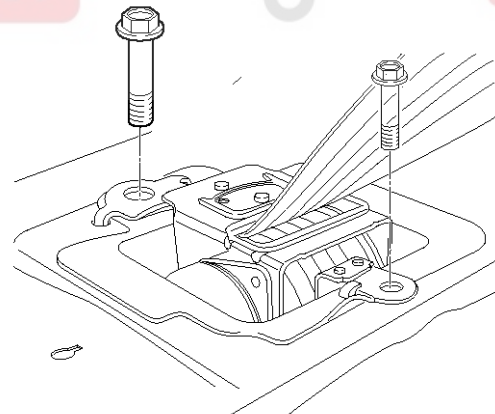
ASCD014E

- 3) Disconnect package tray connector.
  - 4) Remove rear seat belt from package tray.
10. Remove rear seat belt retractor.
    - 1) Remove rear seat belt retractor bolts(2).

**Tightening torque**

Retractor bolt ①(7/16") : 40-55N·m (4.0-5.5kg·m, 28.9-39.8lb·ft)

Retractor bolt ②(M6) : 18-27N·m (1.8-2.7kg·m, 13.0-19.5lb·ft)



ASCD028B

## BD-118

## Body (Interior and Exterior)

11. Install in reverse order of removal.

### ⚠ WARNING

Exercise care to install belt so there are no twists in it. A twisted belt may be harmful to a passenger in a serious accident. A twisted belt alters distribution of force resulting from sudden deceleration.

دیجیتال خودرو

شرکت دیجیتال خودرو سامانه (مسئولیت محدود)

اولین سامانه دیجیتال تعمیرکاران خودرو در ایران

