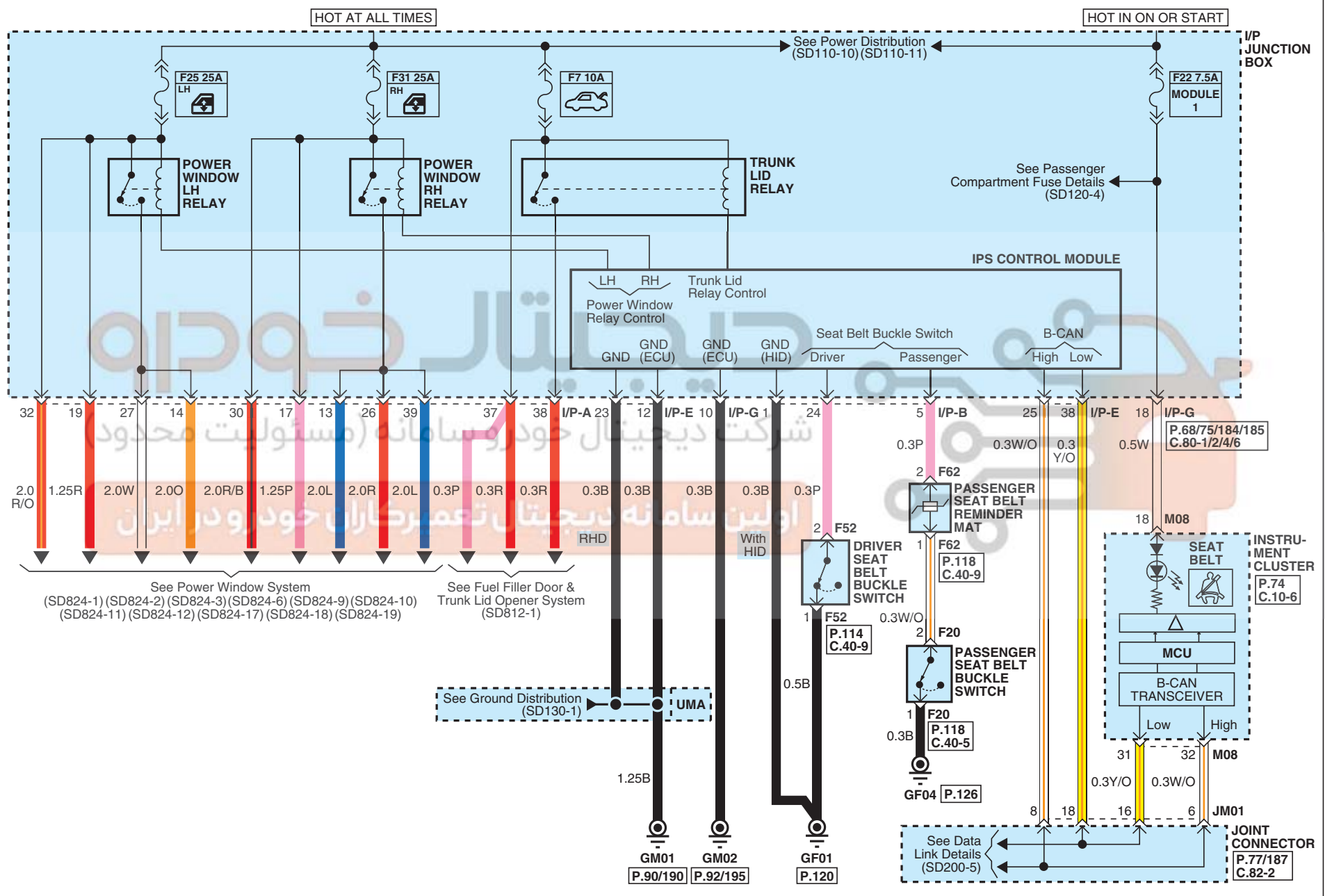
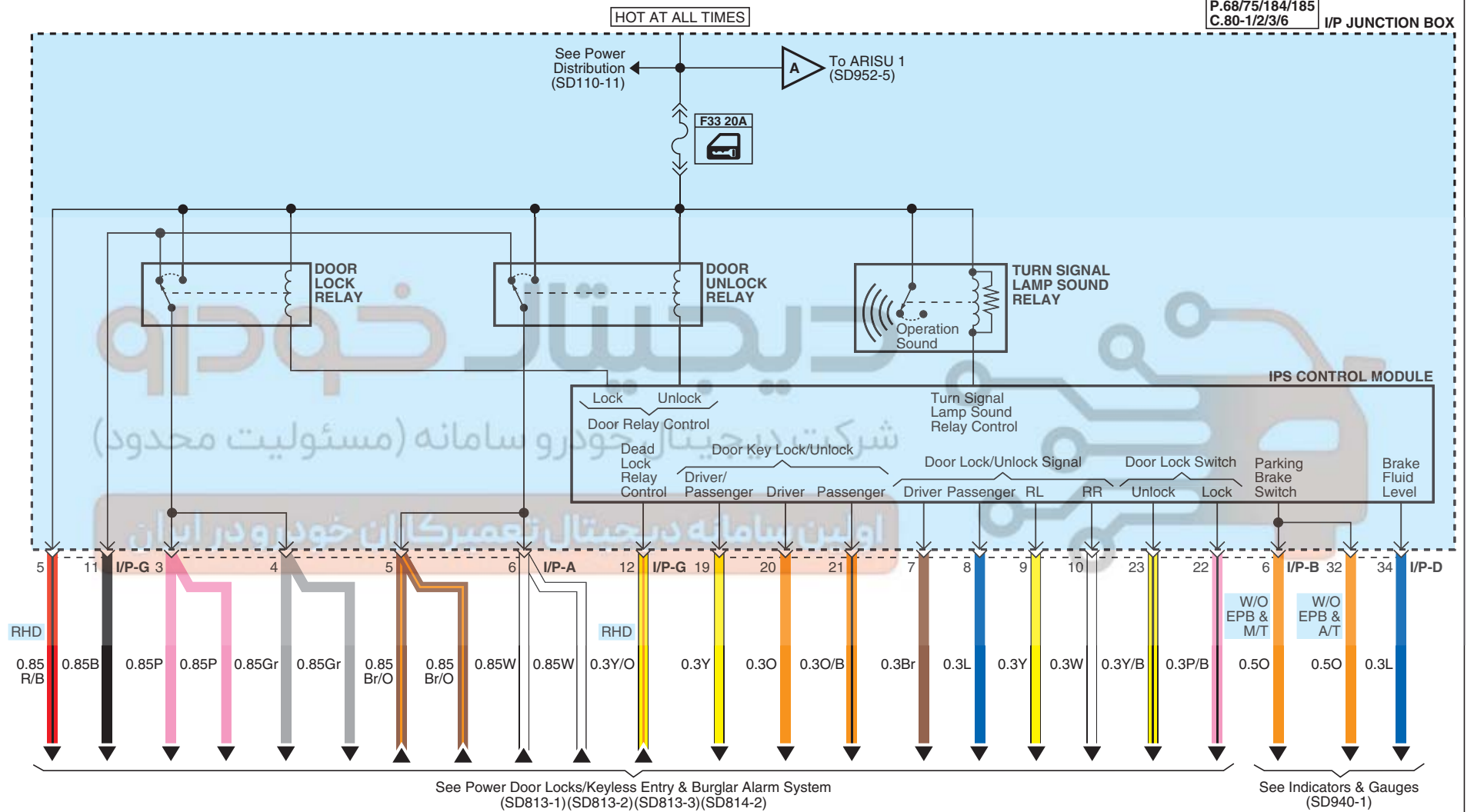


Intelligent Power Switch (IPS) System (1)

SD952-3



P.68/75/184/185
C.80-1/2/3/6 I/P JUNCTION BOX



Intelligent Power Switch (IPS) System (3)

SD952-5

