

ENGINE HOOD/DOOR

GENERAL INFORMATION	47-3	Adjustment	47-24
Overview	47-3	Inspection	47-26
Description	47-3	Rear Door Inner Protector Assembly	47-27
Specifications	47-7	Removal	47-27
Tool	47-7	Installation	47-29
ON-VEHICLE SERVICE	47-8	Rear Door Assembly	47-30
Engine Hood Assembly	47-8	Removal	47-30
Removal	47-8	Installation	47-34
Installation	47-9	Adjustment	47-35
Adjustment	47-9	Inspection	47-37
Inspection	47-11	Back Door Protector Assembly	47-38
Engine Hood Hinge Assembly	47-12	Removal	47-38
Removal	47-12	Installation	47-40
Engine Hood Cable Assembly	47-13	Back Door Assembly	47-41
Removal	47-13	Removal	47-41
Installation	47-14	Installation	47-42
Front Door Inner Protector Assembly	47-15	Adjustment	47-43
Removal	47-15	Inspection	47-45
Installation	47-17	Back Door Switch Assembly	47-46
Front Door Assembly	47-18	Removal	47-46
Removal	47-18	Installation	47-46
Installation	47-24	Back Door Air Spring Assembly	47-47
		Removal	47-47
		Installation	47-47

دیجیتال خودرو

شرکت دیجیتال خودرو سامانه (مسئولیت محدود)

اولین سامانه دیجیتال تعمیرکاران خودرو در ایران



GENERAL INFORMATION

Overview

Description

Engine Hood Assembly

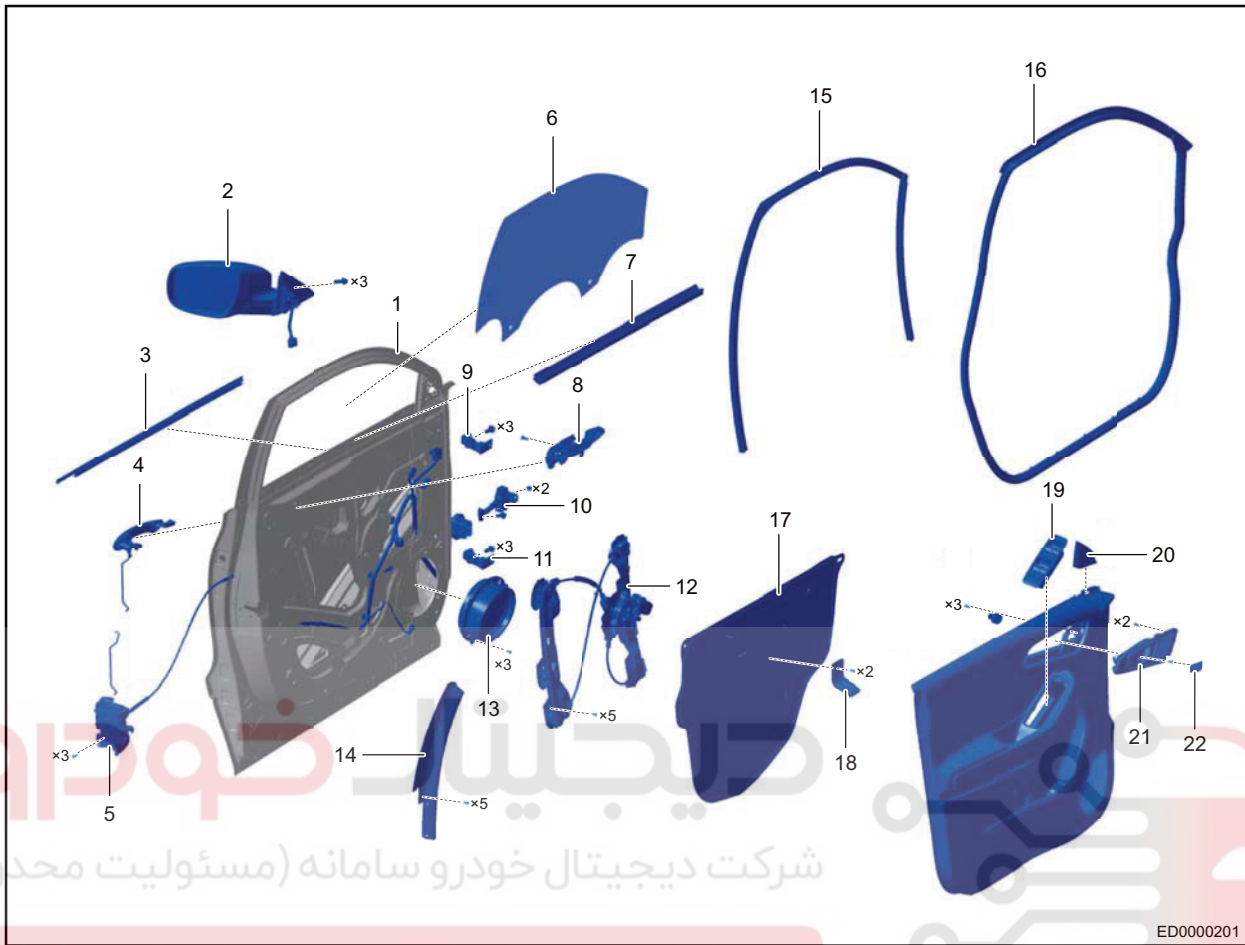


ED0000101

1 - Engine Hood Assembly	2 - Engine Hood Upper Adjusting Block
3 - Engine Hood Right Weatherstrip	4 - Engine Hood Support Upper Fixing Seat
5 - Engine Hood Support Assembly	6 - Engine Hood Left Weatherstrip
7 - Right Engine Hood Hinge Assembly	8 - Left Engine Hood Hinge Assembly
9 - Engine Hood Sound-absorbing Pad	

47-ENGINE HOOD/DOOR

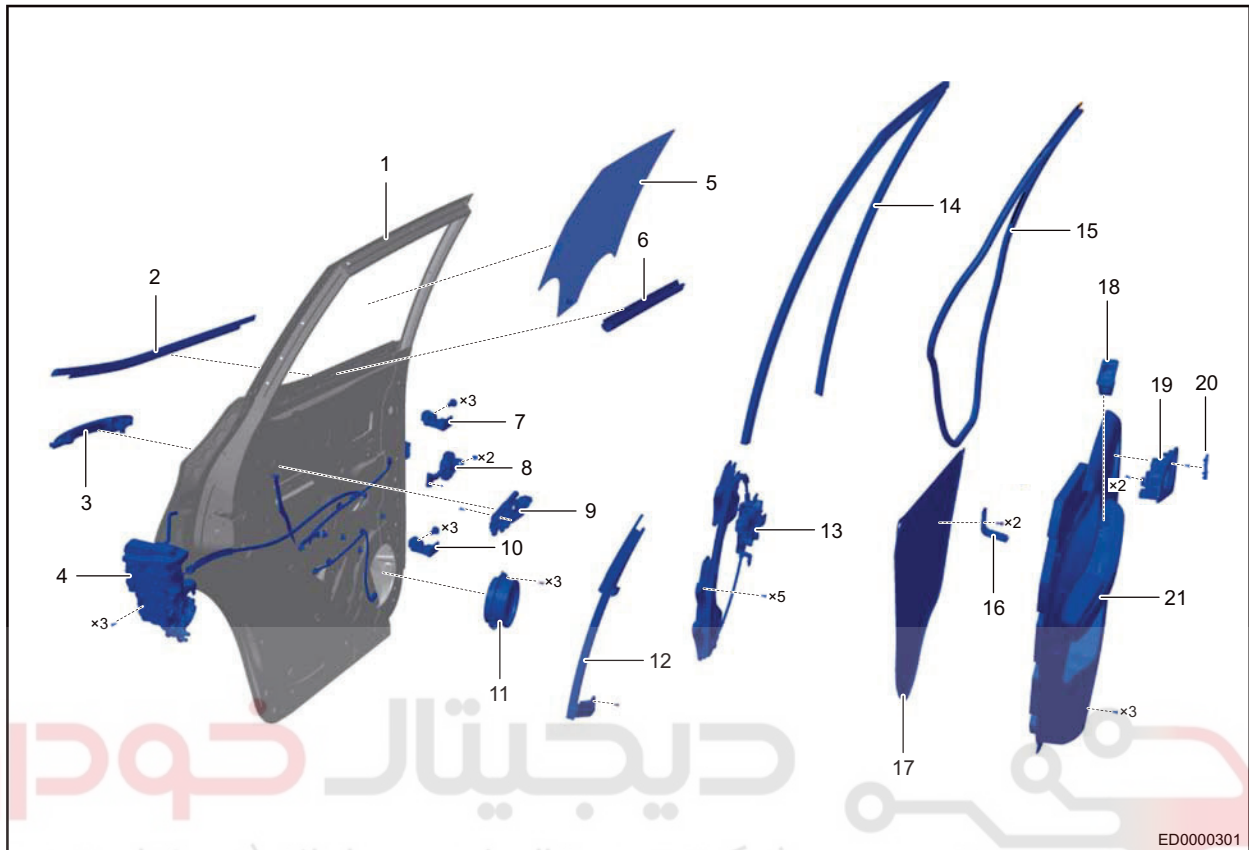
Front Door Assembly



ED0000201

1 - Front Door Assembly	2 - Outside Rear View Mirror Assembly
3 - Front Door Outer Weather Bar Assembly	4 - Front Door Outside Handle
5 - Front Door Lock Assembly	6 - Front Door Glass Assembly
7 - Front Door Inner Weather Bar	8 - Front Door Outside Handle Seat Assembly
9 - Front Door Upper Hinge Assembly	10 - Front Door Stopper Assembly
11 - Front Door Lower Hinge Assembly	12 - Front Door Power Glass Regulator Assembly
13 - Front Door Woofer	14 - Front Door Rear Guide Rail Assembly
15 - Front Door Glass Run	16 - Front Door Frame Weatherstrip
17 - Front Door Protective Film Assembly	18 - Front Door Handle Mounting Bracket Assembly
19 - Power Glass Regulator and Control Master Switch Assembly	20 - Outside Rear View Mirror Inner Triangular Block
21 - Front Door Inside Handle	22 - Front Door Inside Handle Screw Cover Plug

Rear Door Assembly



ED0000301

1 - Rear Door Assembly	2 - Rear Door Outer Weather Bar Assembly
3 - Rear Door Outside Handle	4 - Rear Door Lock Assembly
5 - Rear Door Glass Assembly	6 - Rear Door Inner Weather Bar
7 - Rear Door Upper Hinge Assembly	8 - Rear Door Stopper Assembly
9 - Rear Door Outside Handle Seat Assembly	10 - Rear Door Lower Hinge Assembly
11 - Rear Door Woofer	12 - Rear Door Glass Guide Rail Assembly
13 - Rear Door Power Glass Regulator Assembly	14 - Rear Door Glass Run
15 - Rear Door Frame Weatherstrip	16 - Rear Door Handle Mounting Bracket Assembly
17 - Rear Door Protective Film Assembly	18 - Rear Door Power Glass Regulator Switch Assembly
19 - Rear Door Inside Handle Assembly	20 - Rear Door Inside Handle Screw Block Cover
21 - Rear Door Inner Protector Assembly	

47-ENGINE HOOD/DOOR

Back Door Assembly



47

ED0000401

1 - Back Door Assembly	2 - Back Door Left Hinge Assembly
3 - Back Door Right Hinge Assembly	4 - Rear Wiper Motor Assembly
5 - Back Door Left Air Spring	6 - Back Door Right Air Spring
7 - Back Door Lower Protector Assembly	8 - Back Door Left Protector Assembly
9 - Back Door Upper Protector Assembly	10 - Back Door Right Protector Assembly
11 - Back Door Lock Assembly	

The vehicle is designed as a structure with four doors & two covers (front left door, rear left door, front right door, rear right door, luggage compartment door and engine hood).

Specifications

Torque Specifications

Description	Torque (N·m)
Engine Support Rod Fixing Screw	1.5 ± 0.5
Engine Hood Hinge Fixing Nut	22 ± 1.0
Engine Hood Lock Fixing Nut	10 ± 1.0
Front Door Inner Protector Fixing Screw	1.5 ± 0.5
Front Door Inside Handle Fixing Screw	1.5 ± 0.5
Front Door Metal Bracket Fixing Bolt	5 ± 1.0
Front Door Outside Handle Fixing Screw	5 ± 1.0
Front Door Outside Handle Seat Fixing Screw	1.5 ± 0.5
Fixing Nut Between Check and Door	24 ± 2.0
Fixing Bolt Between Door and Hinge	55 ± 5.0
Fixing Bolt Between Hinge Assembly and Body Quarter	32 ± 3.0
Door Lock Striker Fixing Bolt	23 ± 2.0
Back Door Lower Protector Assembly Fixing Screw	1.5 ± 0.5
Back Door Switch Fixing Nut	3 ± 0.5

Tool

General Tool

<p>Interior Crow Plate</p>	 <p>RCH002506</p>
----------------------------	---

ON-VEHICLE SERVICE

Engine Hood Assembly

Removal

Warning/Caution/Hint

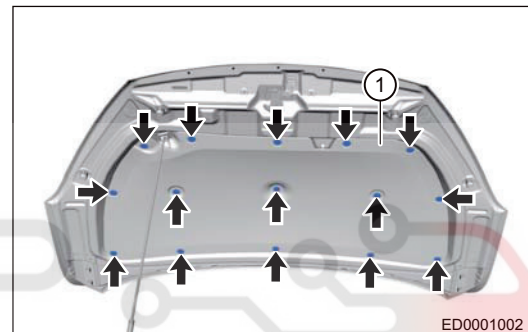
Caution:

- Be sure to wear necessary safety equipment to prevent accidents, when removing engine hood assembly.
- During removal of engine hood assembly, avoid engine hood falling off during operation, resulting in damage to body or front windshield.

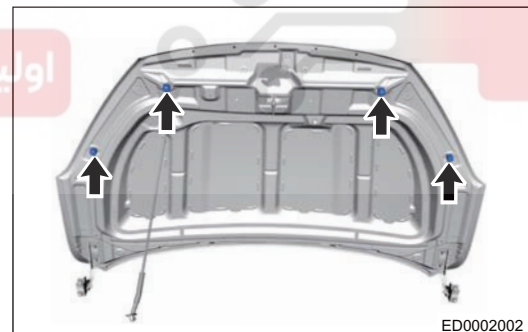
Warning:

- When removing engine hood assembly, an assistant is needed to hold it. Try to prevent engine hood from dropping or suddenly closing to cause accidents during operation.

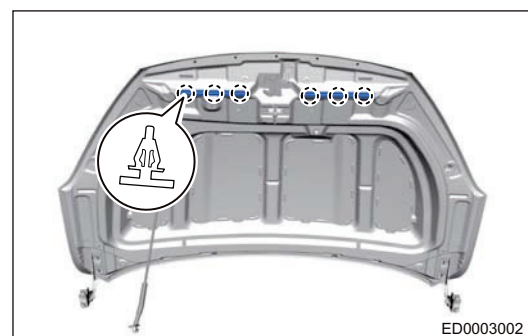
1. Remove the engine hood sound insulator.
 - (a) Remove clips (arrow) from engine hood sound insulator, and remove engine hood sound insulator (1).



2. Remove the engine hood adjustable buffer block.
 - (a) Rotate engine hood adjustable buffer block (arrow) in counterclockwise and remove it.



3. Remove the engine weatherstrip.
 - (a) Disengage clips from engine weatherstrip and remove engine weatherstrip.



4. Remove the engine hood support.
 - (a) Remove 2 fixing screws (arrow) from mounting seat and remove engine hood support (1).

Tightening torque

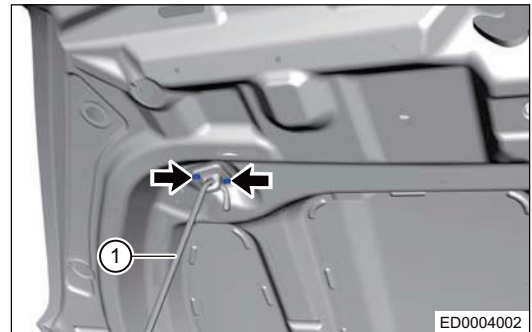
$1.5 \pm 0.5 \text{ N}\cdot\text{m}$

Caution:

- Be sure to wear necessary safety equipment to prevent accidents, when removing engine hood support.
- Try to prevent body paint surface from being scratched when removing engine hood support.
- During removal of engine hood support, avoid engine hood falling off during operation, resulting in damage to body or front windshield.

Warning:

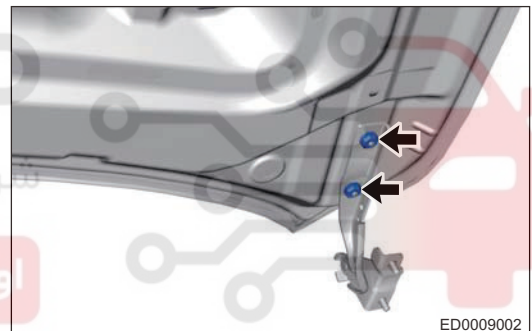
- When removing engine hood support, an assistant is needed to hold it. Try to prevent hood from dropping or suddenly closing to cause accidents during operation.



5. Remove the engine hood assembly.
 - (a) Remove 2 fixing nuts (arrow) between engine hood assembly and engine hood left hinge assembly.

Tightening torque

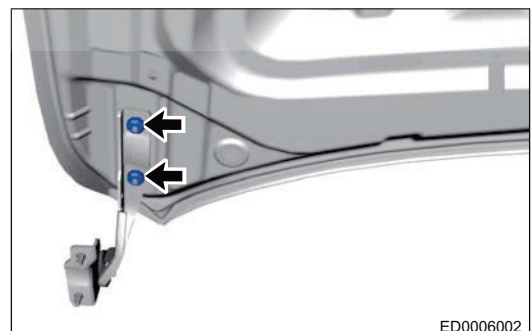
$22 \pm 1.0 \text{ N}\cdot\text{m}$



- (b) Remove 2 fixing nuts (arrow) between engine hood assembly and engine hood right hinge assembly and remove engine hood assembly.

Tightening torque

$22 \pm 1.0 \text{ N}\cdot\text{m}$

**Installation**

1. Installation is in the reverse order of removal.

Adjustment

1. Adjust the engine hood assembly.
 - (a) Loosen fixing bolts of engine hood hinge assembly.
 - (b) Adjust the clearance of engine hood assembly within standard range and pre-tighten fixing bolts of engine hood hinge assembly.

47-ENGINE HOOD/DOOR

- (c) Standard ranges of clearance between installation position of engine hood assembly and each part are as in illustration.



- (d) After adjustment, tighten fixing bolts between engine hood hinge assembly and engine hood assembly to specified torque.

Tightening torque

$22 \pm 1.0 \text{ N}\cdot\text{m}$

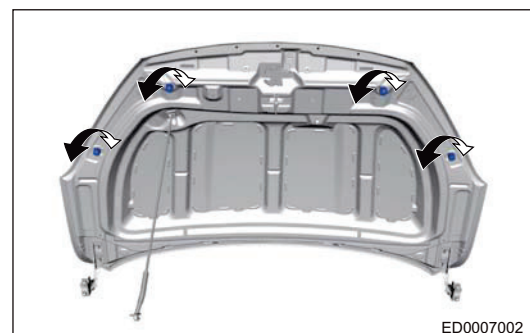
- (e) After adjustment, tighten fixing bolts between engine hood hinge assembly and body to specified torque.

Tightening torque

$22 \pm 1.0 \text{ N}\cdot\text{m}$

2. Adjust the height of engine hood front end with adjustable buffer blocks.

- (a) Raise or lower the hood front end by rotating the adjustable buffer blocks clockwise or counterclockwise.



- (b) After adjustment, make sure that alignment between hood assembly and wing assembly is within the standard range.

Standard alignment

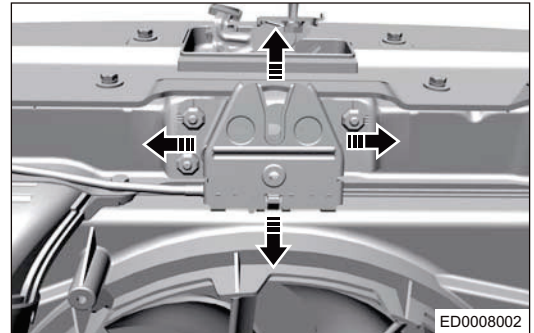
$3.8 \pm 1.0 \text{ mm}$

- (c) After adjustment, make sure that alignment between engine hood assembly and front combination light is within the standard range.

Standard alignment

4.0 ± 1.0 mm

3. Adjust the engine hood lock assembly.
- (a) Slightly loosen the fixing nuts of engine hood lock assembly, and adjust the engine hood lock assembly in direction of arrow.



- (b) Tighten the engine hood lock assembly fixing nuts to specified torque after adjustment.

Tightening torque

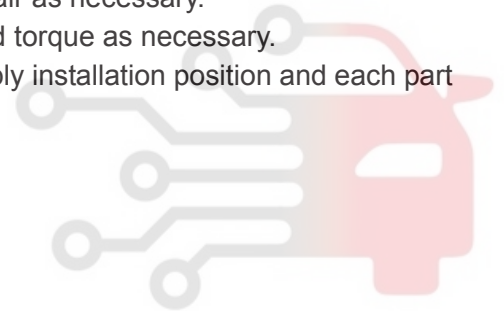
9 ± 1.5 N·m

Inspection

1. Check hood for wear or deformation during installation, and repair as necessary.
2. Check if fixing bolts are set in position. Tighten them to specified torque as necessary.
3. Check if clearance and alignment between engine hood assembly installation position and each part are within the specified range. Adjust as necessary.

شرکت دیجیتال خودرو سامانه (مسئولیت محدود)

اولین سامانه دیجیتال تعمیرکاران خودرو در ایران



47-ENGINE HOOD/DOOR

Engine Hood Hinge Assembly

Removal

Warning/Caution/Hint

Hint:

- Use same procedures for right and left sides.
- Procedures listed below are for left side.

Caution:

- Be sure to wear necessary safety equipment to prevent accidents, when removing engine hood hinge assembly.
- During removal of engine hood hinge assembly, avoid engine hood falling off during operation, resulting in damage to body or front windshield.

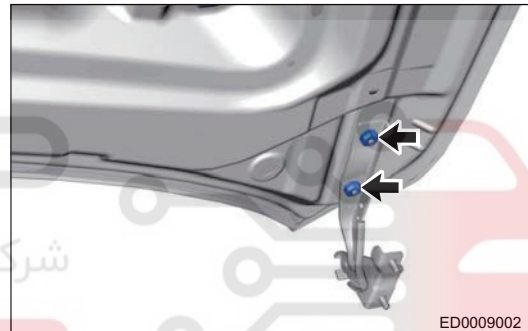
Warning:

- When removing engine hood hinge assembly, an assistant is needed to hold it. Try to prevent engine hood from dropping or suddenly closing to cause accidents during operation.

1. Remove the engine hood left hinge assembly.
 - (a) Remove the wing trim panel assembly.
 - (b) Remove the wing assembly (See page 48-17).
 - (c) Remove 2 fixing nuts (arrow) between left hinge assembly and engine hood assembly.

Tightening torque

$22 \pm 1.0 \text{ N}\cdot\text{m}$



شرکت دیجیتال خودرو (مسئولیت محدود)

- (d) Remove 2 fixing bolts (arrow) between engine hood left hinge assembly and body.

Tightening torque

$22 \pm 1.0 \text{ N}\cdot\text{m}$



- (e) Remove the engine hood left hinge assembly.

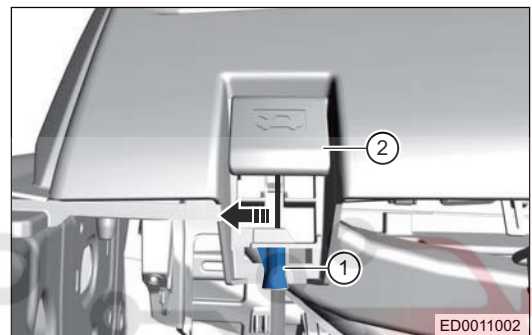
Engine Hood Cable Assembly

Removal

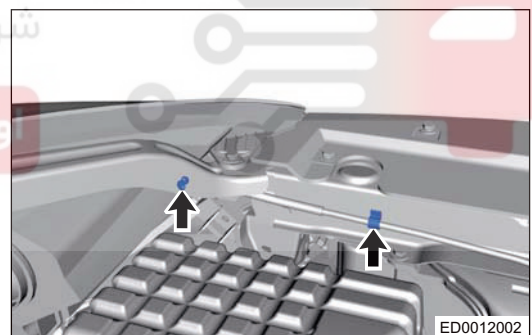
Warning/Caution/Hint

Caution:

- Be sure to wear necessary safety equipment to prevent accidents, when removing engine hood cable assembly.
 - Prevent interior and body paint from being scratched, when removing engine hood cable assembly.
1. Turn off all electrical equipment and the ENGINE START STOP switch.
 2. Disconnect the negative battery cable.
 3. Remove the wing assembly (See page 48-17).
 4. Remove the engine hood lock assembly.
 5. Remove the A-pillar lower protector assembly (See page 49-14).
 6. Remove the engine hood cable assembly.
 - (a) Disengage engine hood cable assembly (1) from engine hood grip drive block (2) in direction of arrow.



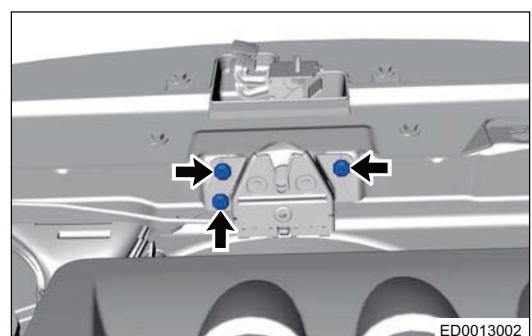
- (b) Disengage fixing clips (arrow) from engine hood cable assembly.



- (c) Remove 3 fixing nuts (arrow) from engine hood lock.

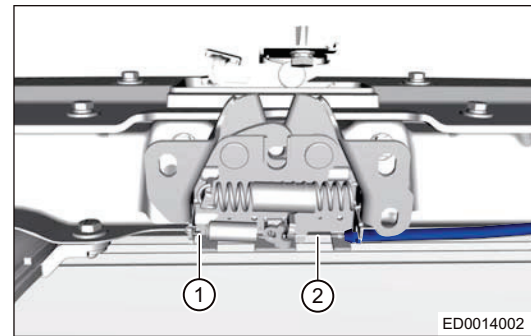
Tightening torque

$10 \pm 1.0 \text{ N}\cdot\text{m}$



47-ENGINE HOOD/DOOR

- (d) Remove engine hood cable return spring (1) and disengage engine hood cable from hood locking block (2).



- (e) Remove the engine hood cable assembly.

Installation

1. Installation is in the reverse order of removal.

Caution:

- After installing engine hood cable assembly, make sure that engine hood can be opened smoothly without seizing.

دیجیتال خودرو

شرکت دیجیتال خودرو سامانه (مسئولیت محدود)

اولین سامانه دیجیتال تعمیرکاران خودرو در ایران



Front Door Inner Protector Assembly

Removal

Warning/Caution/Hint

Hint:

- Use same procedures for right and left sides.
- Procedures listed below are for left side.

Caution:

- Be sure to wear safety equipment to prevent accidents, when removing front door inner protector assembly.
- Try to prevent front door inner protector surface from being damaged, when removing front door inner protector assembly.

1. Turn off all electrical equipment and the ENGINE START STOP switch.
2. Disconnect the negative battery cable.
3. Remove the left outside rear view mirror inner triangular block.

- (a) Using interior crow plate, pry off clips from outside rear view mirror inner triangular block, and remove the outside rear view mirror inner triangular block.



4. Remove the front left door inner protector assembly.

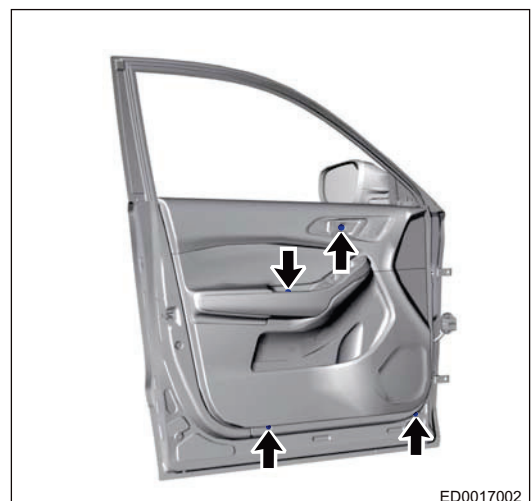
- (a) Using an interior crow plate, pry off front left door inside handle screw block cover and inside handle block cover (1).



- (b) Remove 4 fixing screws (arrow) from front door inner protector assembly.

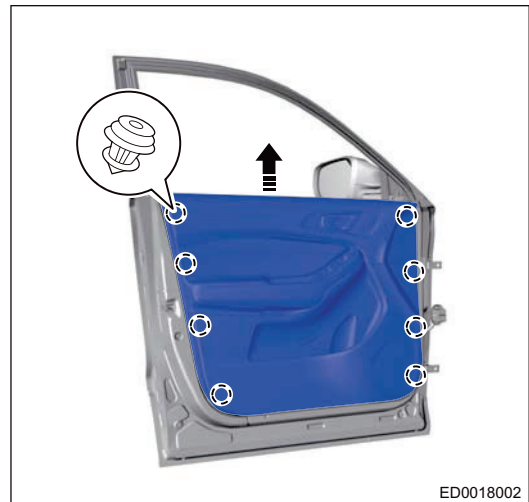
Tightening torque

$1.5 \pm 0.5 \text{ N}\cdot\text{m}$

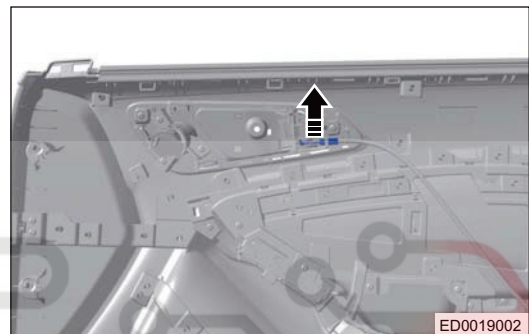


47-ENGINE HOOD/DOOR

- (c) Using an interior crow plate, pry off the clips on front door inner protector assembly, and loosen the front door inner protector assembly in direction of arrow.



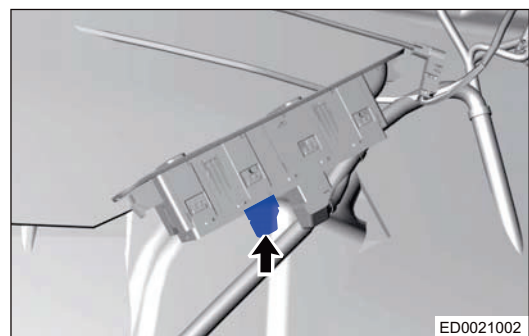
- (d) Disengage front door inside handle cable (arrow) from front door inside handle.



- (e) Disconnect the tweeter speaker connector (arrow).

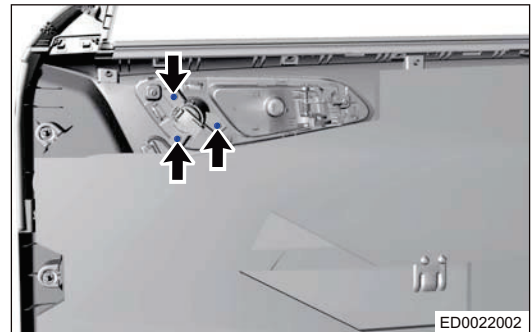


- (f) Disconnect the connector from front door power glass regulator switch connector (arrow).

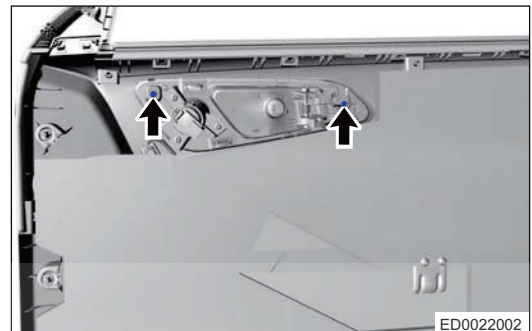


- (g) Remove the front left door inner protector assembly.

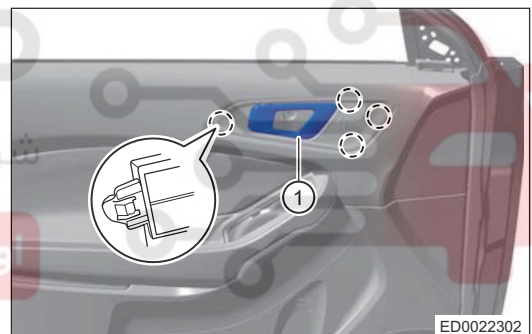
5. Remove the front door inside handle.
- (a) Remove 3 fixing screws (arrow) from tweeter speaker.

Tightening torque $1.5 \pm 0.5 \text{ N}\cdot\text{m}$ 

- (b) Remove 2 fixing screws (arrow) from front door inside handle.

Tightening torque $1.5 \pm 0.5 \text{ N}\cdot\text{m}$ 

- (c) Using a screwdriver wrapped with protective tape, pry off claws on front door inside handle, and remove front door inside handle (1).

**Installation**

1. Installation is in the reverse order of removal.

Caution:

- Replace damaged clips and install front door inner protector assembly in place, when installing front door inner protector assembly.
- Install connectors in place, when installing front door inner protector assembly.
- Check that each function can operate properly, after installing front door inner protector assembly.

47-ENGINE HOOD/DOOR

Front Door Assembly

Removal

Warning/Caution/Hint

Hint:

- Use same procedures for right and left sides.
- Procedures listed below are for left side.

Caution:

- Be sure to wear safety equipment to prevent accidents, when removing front door assembly.
- Try to prevent body paint surface from being scratched, when removing front door assembly.

Warning:

- When removing front door assembly, an assistant is needed to hold it, to prevent front door from dropping to cause accidents during operation.

1. Turn off all electrical equipment and the ENGINE START STOP switch.
2. Disconnect the negative battery cable.
3. Remove the front left door inner protector assembly.
4. Remove the front left door protective film assembly.

- (a) Remove 2 fixing bolts (arrow) and front left door metal bracket.

Tightening torque

$5 \pm 1.0 \text{ N}\cdot\text{m}$



- (b) Disconnect the left rear view mirror connector plug (arrow).



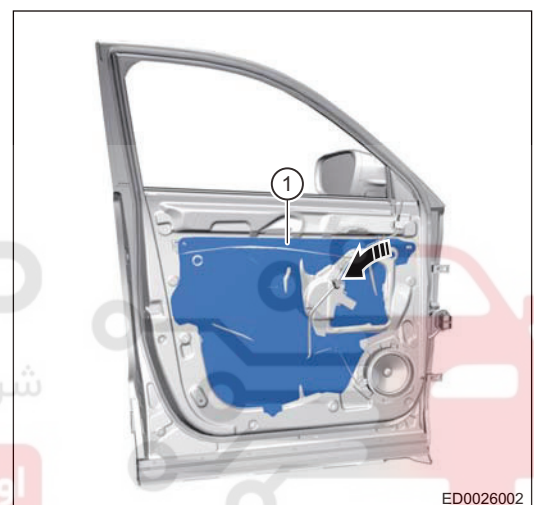
- (c) Disconnect the full-range speaker connector (arrow).



- (d) As shown in illustration, remove the front left door protective film assembly (1) by gently peeling it along edges from one corner of front left door protective film assembly.

Warning:

- Try to prevent front door protective film from being damaged, when removing front door protective film assembly.
- Place front door protective film assembly properly after removal, and avoid adhesive sticker on front door protective film assembly from sticking to other components.



5. Remove the front left door full-range speaker assembly (See page 37-41).
6. Remove the front left door weather bar (See page 43-94).
7. Remove the front door glass upper run (See page 43-96).
8. Remove the front door glass assembly (See page 43-97).
9. Remove the front door glass guide rail assembly (See page 43-98).
10. Remove the front door power glass regulator (See page 43-99).
11. Remove the front left door lock assembly (See page 35-49).

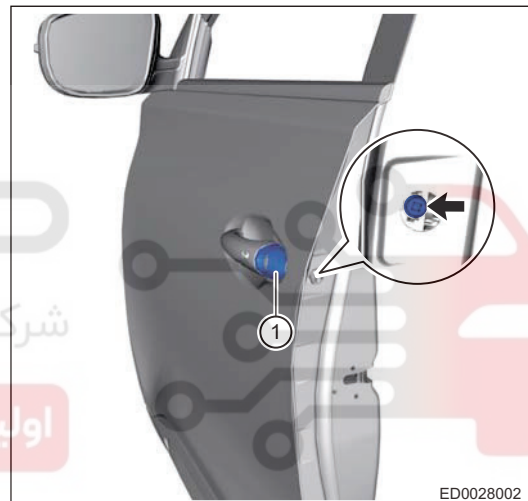
47-ENGINE HOOD/DOOR

12. Remove the front left door outside handle.
- (a) Using interior crow plate, pry off front left door lock block cover (arrow).

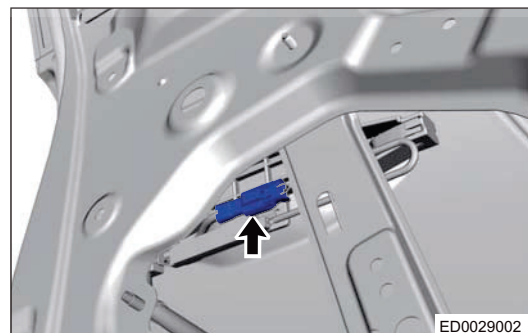


- (b) Loosen fixing screw (arrow) from front door outside handle and remove lock cylinder assembly (1).

Tightening torque
 $5 \pm 1.0 \text{ N}\cdot\text{m}$



- (c) Disconnect the left door handle sensor connector (arrow).



- (d) Slide and pull the front door outside handle in direction of arrow, and remove it.

Hint:

- It is not necessary to remove the fixing screw from front door outside handle cover because fixing screw is integrated with front door handle base.

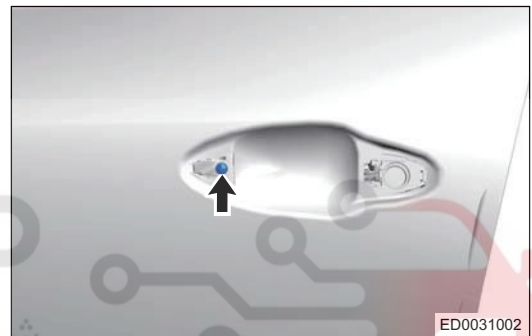


13. Remove the front left door outside handle seat assembly.

- (a) Remove the fixing screw (arrow) from front door outside handle seat assembly.

Tightening torque

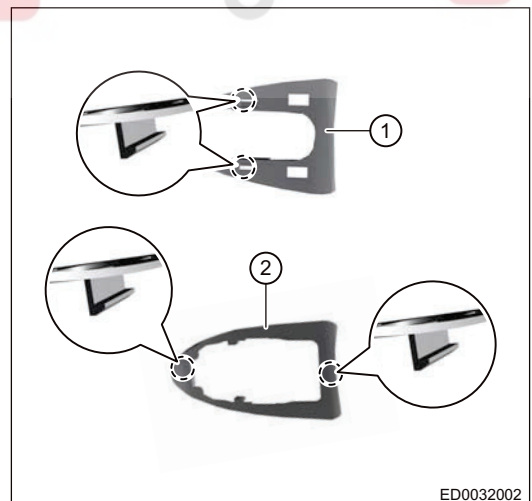
$1.5 \pm 0.5 \text{ N}\cdot\text{m}$



- (b) Disengage clips from door lock connecting rod and remove front left door outside handle seat assembly.

14. Remove the front left door outside handle gasket.

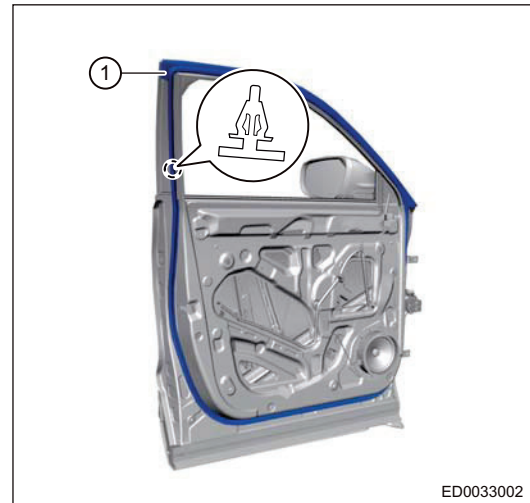
- (a) Disengage claws from front door outside handle front shim, and remove front left door outside handle front shim (1).



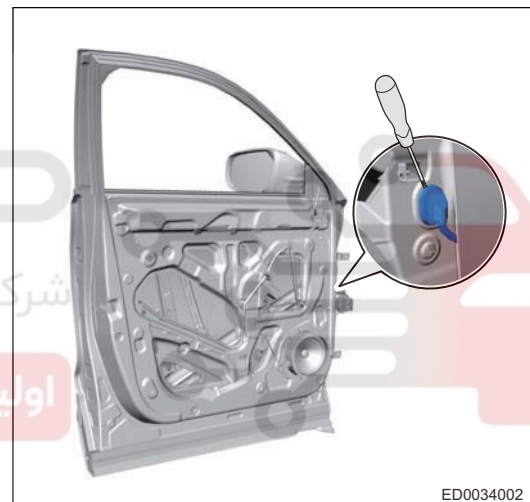
- (b) Disengage claws from front door outside handle rear shim, and remove front left door outside handle front shim (2).

47-ENGINE HOOD/DOOR

15. Remove the front left door frame weatherstrip.
- (a) Disengage clips from front door frame weatherstrip, and remove front left door frame weatherstrip (1).



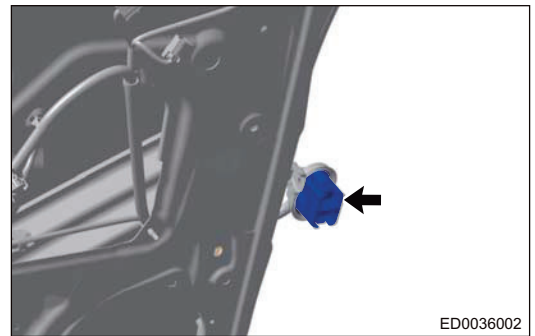
16. Disconnect the front left door wire harness connector.
- (a) Using screwdriver wrapped with tape, pry off front door wire harness dust boot.



- (b) Using screwdriver wrapped with tape, pry off claws (arrow) of front door wire harness connector.



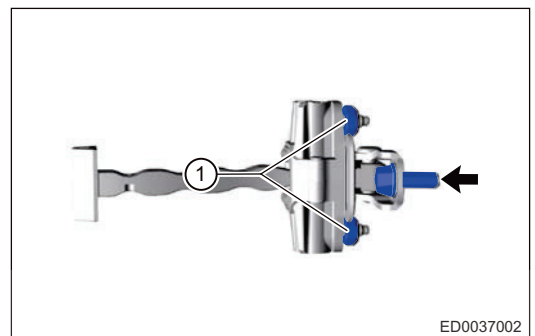
- (c) Disconnect the front left door wire harness connector (arrow).



17. Remove the front left door check assembly.

- (a) Remove coupling nut (1) between door check and door.

Tightening torque
 $24 \pm 2.0 \text{ N}\cdot\text{m}$



- (b) Remove coupling bolt (arrow) between door check and front left door.

Tightening torque
 $55 \pm 5.0 \text{ N}\cdot\text{m}$

- (c) Remove the front left door check assembly

18. Remove the front left door assembly.

- (a) Disconnect the front left door wire harness connector.

- (b) Remove the front left door check assembly

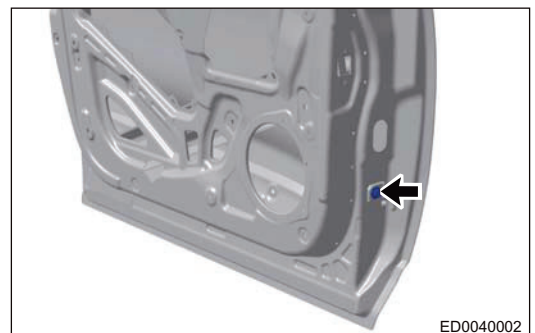
- (c) Remove fixing bolt (arrow) between door and upper hinge.

Tightening torque
 $55 \pm 5.0 \text{ N}\cdot\text{m}$



- (d) Remove fixing bolt (arrow) between door and lower hinge.

Tightening torque
 $55 \pm 5.0 \text{ N}\cdot\text{m}$

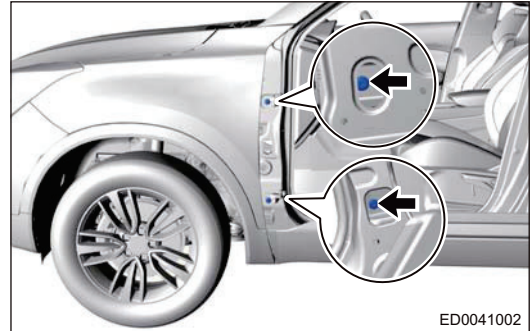


- (e) Remove the front left door assembly.

47-ENGINE HOOD/DOOR

19. Remove the front left door hinge assembly.
- (a) Remove 2 fixing bolts (arrow) between front door upper hinge assembly and quarter assembly.

Tightening torque
 $32 \pm 3.0 \text{ N}\cdot\text{m}$



ED0041002

- (b) Remove 2 fixing bolts (arrow) between front door lower hinge assembly and quarter assembly.

Tightening torque
 $32 \pm 3.0 \text{ N}\cdot\text{m}$

Installation

1. Installation is in the reverse order of removal.

Caution:

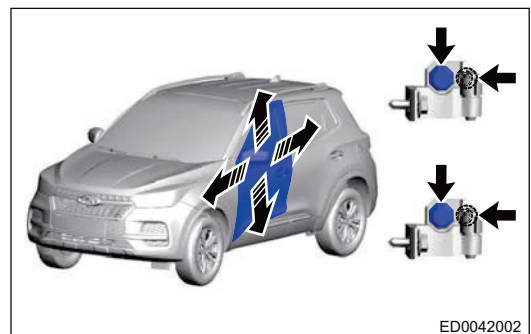
- Replace damaged clips and install front door inner protector in place, when installing front door inner protector.
- Stick protective film in specified position, not in a wrong position or an asymmetric position between left and right sides or cover the mounting holes of other installation parts.
- DO NOT drag protective film when sticking. It should be installed under its original condition and ensure sheet metal is clean before installation.
- Finished protective film should have no defects, such as wrinkles, bubbles or turnups.
- Finished protective film should have powerful adherence. Protective film sticking should be finished at one time. Avoid repeat sticking.

Warning:

- When installing front door assembly, an assistant is needed to hold it, to prevent front door from dropping to cause accidents during operation.
- Be sure to wear safety equipment to prevent accidents, when installing front door assembly.

Adjustment

1. Adjust the front door assembly.
- (a) Loosen 4 fixing bolts between front door hinge assembly and quarter, and adjust the front door assembly position in direction of arrow as shown in illustration.

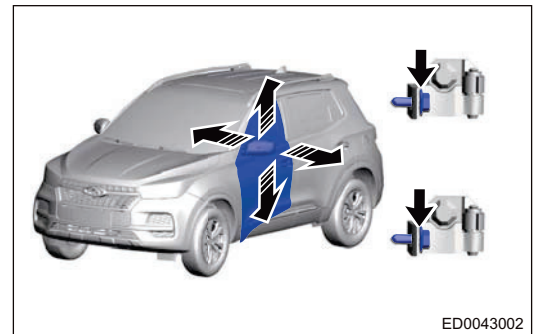


ED0042002

- (b) Tighten the fixing bolts on front door hinge assembly to specified torque after adjustment.

Tightening torque
 $32 \pm 3.0 \text{ N}\cdot\text{m}$

- (c) Loosen 2 fixing bolts between front door hinge assembly and door, and adjust the front door assembly position in direction of arrow as shown in illustration.

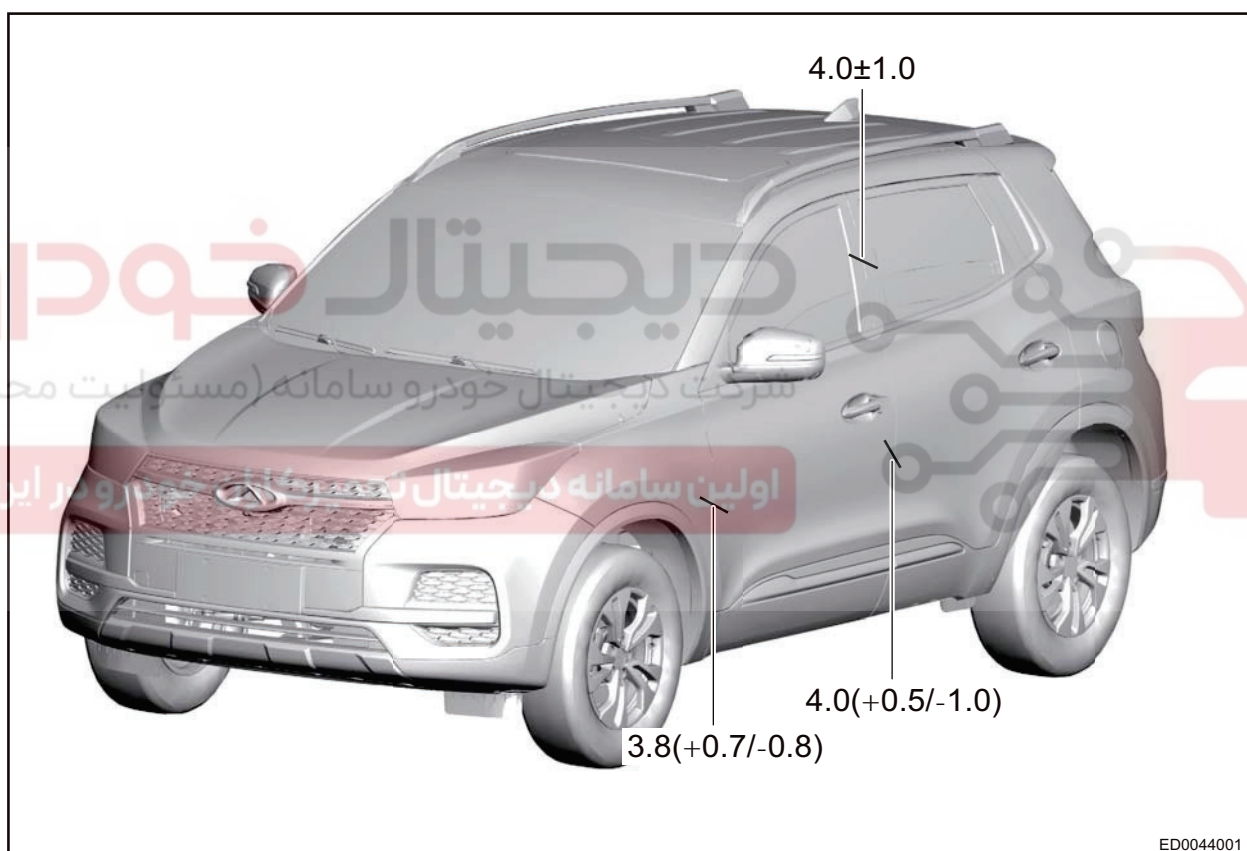


- (d) Tighten the fixing bolts on front door hinge assembly to specified torque after adjustment.

Tightening torque

$32 \pm 3.0 \text{ N}\cdot\text{m}$

- (e) Standard ranges of clearance and alignment between installation positions of front door assembly and each part are as shown in illustration.



- (f) After adjustment, make sure that alignment between front door assembly and rear door assembly is within the standard range.

Standard alignment

4.0 (+0.5/-1.0) mm

- (g) After adjustment, make sure that alignment between front door assembly and wing assembly is within standard range.

Standard alignment

3.8 (+0.7/-0.8) mm

47-ENGINE HOOD/DOOR

2. Adjust the front door lock striker.
 - (a) Slightly loosen the fixing screws on front door lock striker and tap it with a plastic hammer in direction of arrow to adjust the lock striker position.



- (b) Tighten the fixing screws on front door lock striker to specified torque after adjustment.

Tightening torque

$23 \pm 2.0 \text{ N}\cdot\text{m}$

Inspection

1. Check front door assembly for wear or deformation during installation, and repair as necessary.
2. Check if fixing bolts are installed in place. Tighten them to specified torque as necessary.
3. Check if clearance and alignment between installation position of front door assembly and each part are within specified range. Adjust as necessary.

دیجیتال خودرو

شرکت دیجیتال خودرو سامانه (مسئولیت محدود)

اولین سامانه دیجیتال تعمیرکاران خودرو در ایران



Rear Door Inner Protector Assembly

Removal

Warning/Caution/Hint

Hint:

- Use same procedures for right and left sides.
- Procedures listed below are for left side.

Caution:

- Be sure to wear safety equipment to prevent accidents, when removing rear door inner protector assembly.
- Try to prevent rear door inner protector surface from being damaged, when removing rear door inner protector assembly.

1. Turn off all electrical equipment and the ENGINE START STOP switch.
2. Disconnect the negative battery cable.
3. Remove the left rear door inside handle screw block cover.

- (a) Using an interior crow plate, pry off rear left door inside handle screw block cover and inside handle block cover (1).



4. Remove the rear left door inner protector assembly.
 - (a) Remove 4 fixing screws (arrow) from rear left door inner protector assembly.

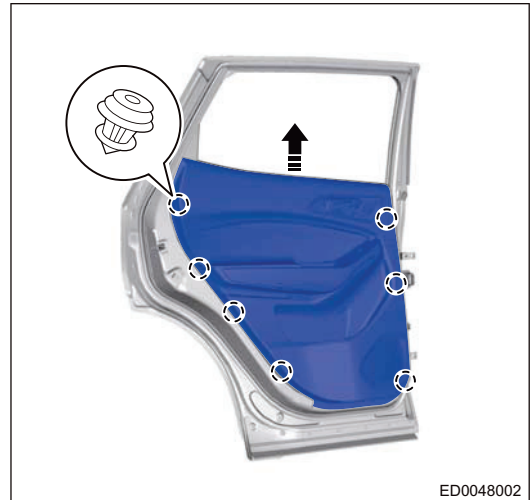
Tightening torque

$1.5 \pm 0.5 \text{ N}\cdot\text{m}$



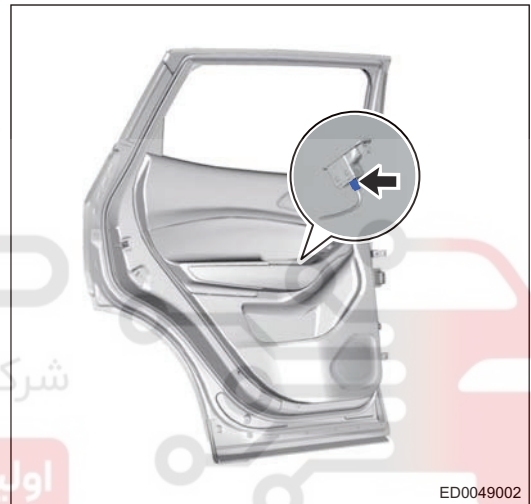
47-ENGINE HOOD/DOOR

- (b) Using an interior crow plate, pry up clips on rear door inner protector assembly, and remove rear door inner protector assembly in direction of arrow.



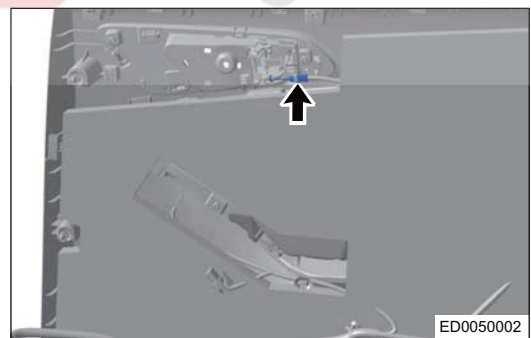
ED0048002

- (c) Disconnect the rear door power glass regulator switch connector (arrow).



ED0049002

- (d) Disengage handle cable (arrow) from rear door inside handle, and remove inner protector assembly.

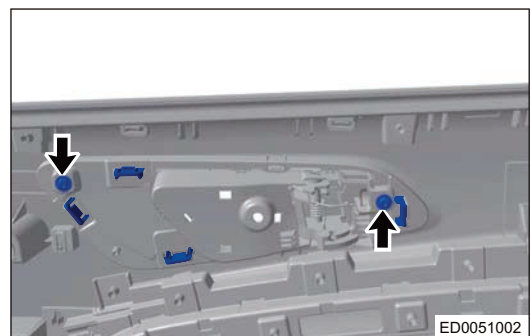


ED0050002

- 5. Remove the rear door inside handle.
 - (a) Remove 2 fixing screws (arrow) from rear door inside handle.

Tightening torque

1.5 ± 0.5 N·m



ED0051002

- (b) Using interior crow plate, pry off the claws from rear door inside handle, and remove rear door inside handle.

Installation

1. Installation is in the reverse order of removal.

Caution:

- Replace damaged clips and install it in place, when installing rear door inner protector assembly.
- Check that inside handle assembly can operate properly, after installing rear door inner protector assembly.

دیجیتال خودرو

شرکت دیجیتال خودرو سامانه (مسئولیت محدود)

اولین سامانه دیجیتال تعمیرکاران خودرو در ایران



47-ENGINE HOOD/DOOR

Rear Door Assembly

Removal

Warning/Caution/Hint

Hint:

- Use same procedures for right and left sides.
- Procedures listed below are for left side.

Caution:

- Be sure to wear safety equipment to prevent accidents, when installing rear door assembly.
- Try to prevent body paint surface from being scratched, when removing rear door assembly.

Warning:

- When removing rear door assembly, an assistant is needed to hold rear door, to prevent front door from dropping to cause accidents during operation.

1. Turn off all electrical equipment and the ENGINE START STOP switch.
2. Disconnect the negative battery cable.
3. Remove the rear left door inner protector assembly.
4. Remove the rear left door protective film assembly.

- (a) Remove 2 fixing bolts (arrow) and rear left door metal bracket (1).

Tightening torque

 $5 \pm 1.0 \text{ N}\cdot\text{m}$


ED0052002

- (b) Disconnect the full-range speaker connector (arrow).

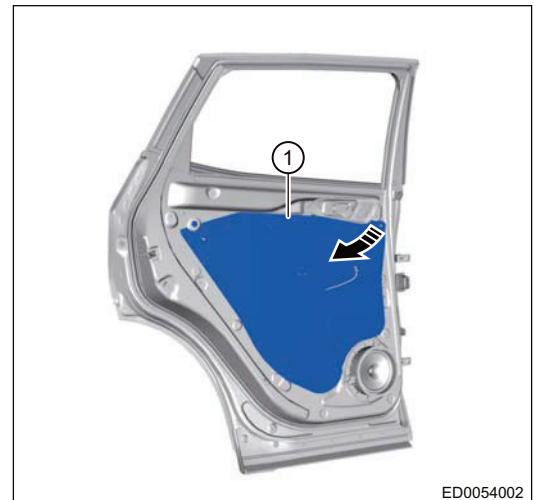


ED0053002

- (c) As shown in illustration, remove the rear left door protective film assembly (1) by gently peeling it along edges from one corner.

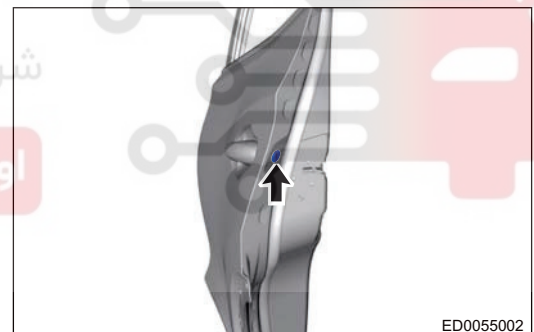
Caution:

- Try to prevent rear door protective film from being damaged, when removing rear door protective film assembly.
- Place rear door protective film assembly properly after removal, and avoid adhesive sticker on rear door protective film assembly from sticking to other components.



5. Remove the rear left door full-range speaker (See page 37-41).
6. Remove the rear left door weather bar (See page 43-94).
7. Remove the rear door glass upper run (See page 43-96).
8. Remove the rear door glass assembly (See page 43-97).
9. Remove the rear door glass guide rail assembly (See page 43-98).
10. Remove the rear door power glass regulator (See page 43-99).
11. Remove the rear left door lock assembly (See page 35-55).
12. Remove the rear left door outside handle cover.

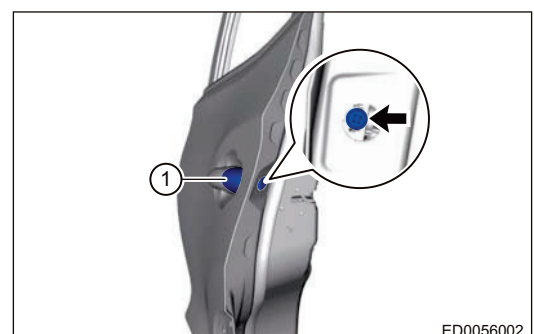
- (a) Remove the rear door outside handle block cover (arrow).



- (b) Loosen fixing screw (arrow) on rear door outside handle cover, and remove the rear door outside handle cover (1).

Tightening torque

$5 \pm 1.0 \text{ N}\cdot\text{m}$



47-ENGINE HOOD/DOOR

13. Remove the rear left door outside handle.
- (a) Slide and pull the rear door outside handle in direction of arrow, and remove it.



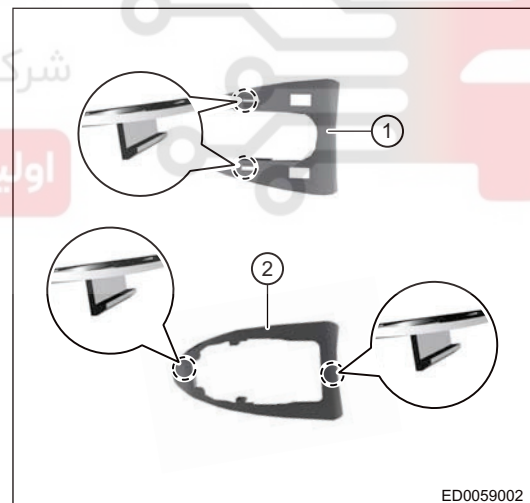
14. Remove the rear left door outside handle seat assembly.
- (a) Remove fixing screw (arrow) from rear door outside handle seat assembly, and remove rear door outside handle seat assembly.

Tightening torque

$1.5 \pm 0.5 \text{ N}\cdot\text{m}$



15. Remove the rear left door outside handle shim.
- (a) Disengage claws from rear door outside handle front shim, and remove rear left door outside handle front shim (1).



- (b) Disengage claws from rear door outside handle rear shim, and remove rear left door outside handle rear shim (2).

16. Remove the rear left door frame weatherstrip.

47-ENGINE HOOD/DOOR

- (a) Disengage clips from rear door frame weatherstrip, and remove rear left door frame weatherstrip (1).



ED0060002

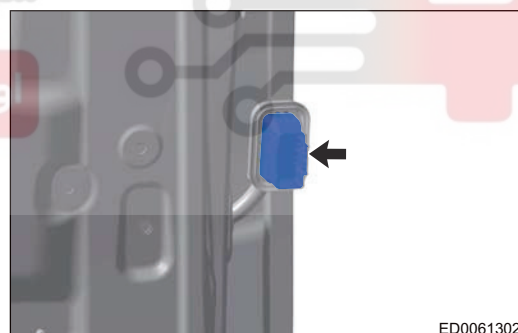
17. Disconnect the rear left door connector.

- (a) Using interior crow plate, pry up the rear door dust boot.



ED0061002

- (b) Using interior crow plate, pry up the claws of connector.



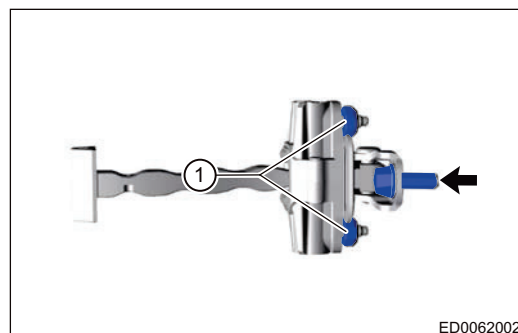
ED0061302

- (c) Disconnect the rear left door wire harness connectors (arrow).

18. Remove the rear left door check.

- (a) Remove 2 nuts (1) between door check and rear left door.

Tightening torque
 $24 \pm 2.0 \text{ N}\cdot\text{m}$



ED0062002

- (b) Remove coupling bolt (arrow) between door check and body.

Tightening torque
 $55 \pm 5.0 \text{ N}\cdot\text{m}$

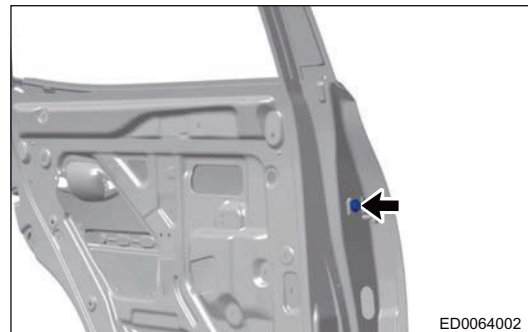
47-ENGINE HOOD/DOOR

- (c) Remove rear left door check assembly from door assembly.
 19. Remove the rear left door assembly.

- (a) Remove fixing bolt (arrow) between rear door upper hinge assembly and rear door assembly.

Tightening torque

$55 \pm 5.0 \text{ N}\cdot\text{m}$



- (b) Remove fixing bolt (arrow) between rear door lower hinge assembly and rear door assembly.

Tightening torque

$55 \pm 5.0 \text{ N}\cdot\text{m}$



20. Remove the rear left door hinge assembly.

- (a) Remove 2 fixing bolts (arrow) between front door upper hinge assembly and quarter panel.

Tightening torque

$32 \pm 3.0 \text{ N}\cdot\text{m}$



- (b) Remove 2 fixing bolts (arrow) between front door lower hinge assembly and quarter.

Tightening torque

$32 \pm 3.0 \text{ N}\cdot\text{m}$

- (c) Remove the rear left door hinge assembly.

47

Installation

1. Installation is in the reverse order of removal.

Caution:

- Replace damaged clips and install rear door inner protector in place, when installing rear door inner protector.
- Stick protective film in specified position, not in a wrong position or an asymmetric position between left and right sides or cover the mounting holes of other installation parts.
- DO NOT drag protective film when sticking. It should be installed under its original condition and ensure sheet metal is clean before installation.
- Finished protective film should have no defects, such as wrinkles, bubbles or turnups.
- Finished protective film should have powerful adherence. Protective film sticking should be finished at one time. Avoid repeat sticking.

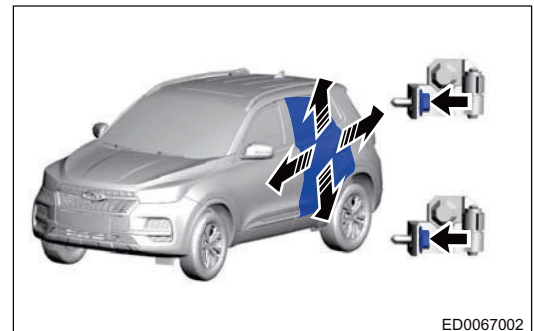
Warning:

- Be sure to wear safety equipment to prevent accidents, when installing rear door assembly.
- When installing rear door assembly, an assistant is needed to hold it, to prevent rear door from dropping to cause accidents during operation.

Adjustment

1. Adjust the rear door assembly.

- (a) Loosen 2 fixing bolts between rear door hinge assembly and door, and adjust rear door assembly position in direction of arrow as shown in illustration.

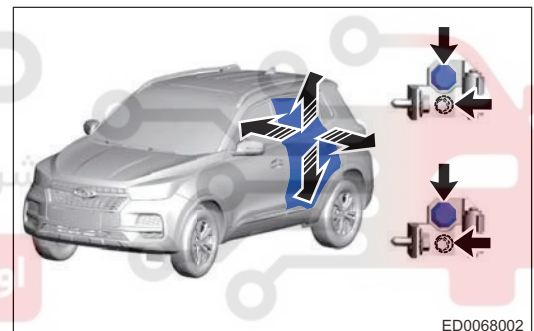


- (b) After adjustment, tighten fixing bolts on rear door hinge assembly to specified torque.

Tightening torque

$55 \pm 5.0 \text{ N}\cdot\text{m}$

- (c) Loosen 4 fixing bolts between rear door hinge assembly and side panel, and adjust rear door assembly position in direction of arrow as shown in illustration.



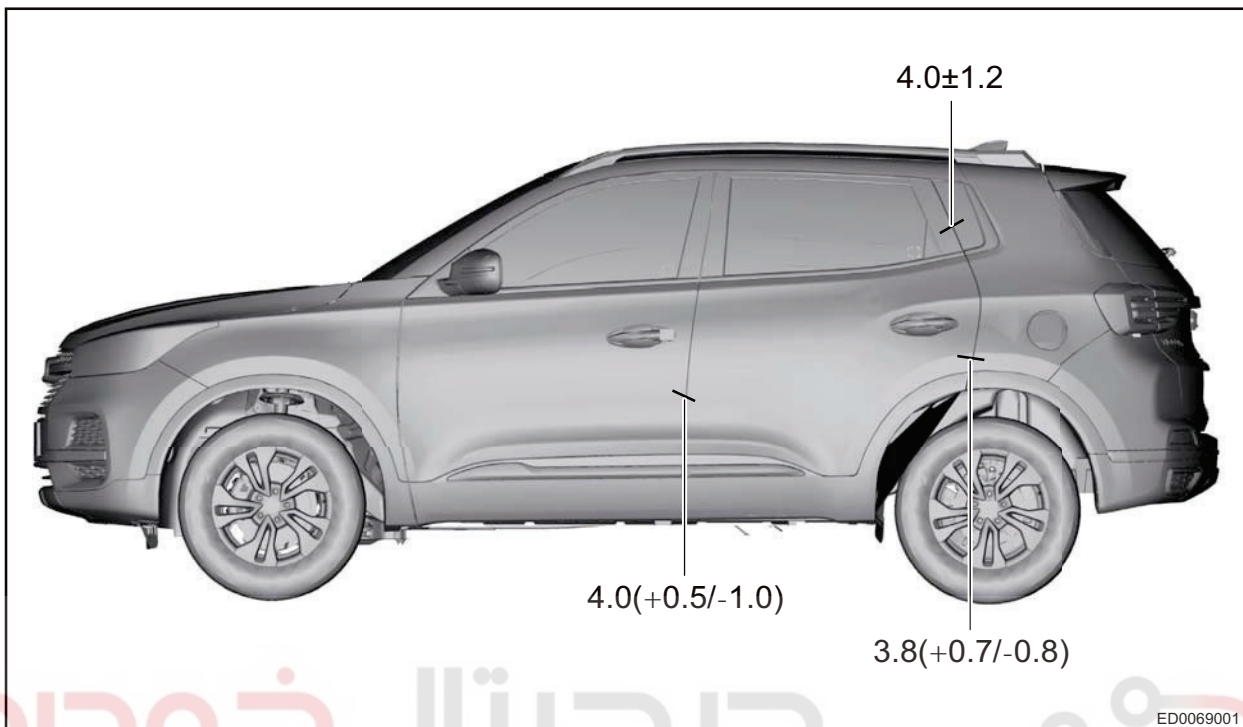
- (d) After adjustment, tighten fixing bolts on rear door hinge assembly to specified torque.

Tightening torque

$32 \pm 3.0 \text{ N}\cdot\text{m}$

47-ENGINE HOOD/DOOR

- (e) Standard ranges of clearance between installation position of rear door assembly and each part are as shown in illustration.



- (f) After adjustment, make sure that alignment between rear door assembly and front door assembly within the standard range.

Standard alignment

4.0 (+0.5/-1.0) mm

- (g) After adjustment, make sure that alignment between rear door assembly and body outer panel is within standard range.

Standard alignment

3.8 (+1.0/-0.5) mm

2. Adjust the rear left door lock striker assembly.

- (a) Slightly loosen the fixing bolts on rear door lock striker and tap it with a plastic hammer in direction of arrow to adjust the striker position.



- (b) Tighten the fixing bolts on rear door lock striker assembly to specified torque after adjustment.

Tightening torque

23 ± 2.0 N·m

Inspection

1. Check rear door assembly for wear or deformation during installation, and repair as necessary.
2. Check if fixing bolts are installed in place. Tighten them to specified torque as necessary.
3. Check if clearance and alignment between installation position of rear door assembly and each part are within specified range. Adjust as necessary.

دیجیتال خودرو

شرکت دیجیتال خودرو سامانه (مسئولیت محدود)

اولین سامانه دیجیتال تعمیرکاران خودرو در ایران



Back Door Protector Assembly

Removal

Warning/Caution/Hint

Caution:

- When removing back door protector assembly, be sure to wear safety equipment to prevent accidents.
- When removing back door protector assembly, try to prevent body paint surface from being scratched.

1. Turn off all electrical equipment and the ENGINE START STOP switch.
2. Disconnect the negative battery cable.
3. Remove the luggage compartment door adjustable buffer block.

- (a) Rotate 2 luggage compartment door adjustable buffer blocks (arrow) in counterclockwise and remove it.



4. Remove the luggage compartment door adjustment upper trim board assembly.

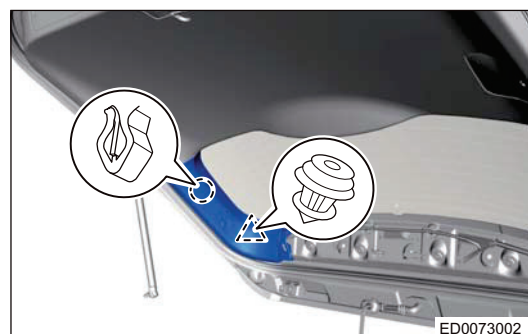
- (a) Using a screwdriver wrapped with protective tape, pry off plastic clips from back door frame upper protector assembly.



- (b) Remove the back door upper trim board assembly.

5. Remove the back door left protector assembly (take left side as example).

- (a) Using a screwdriver wrapped with protective tape, pry off plastic clips from back door frame left protector assembly.



- (b) Remove the back door left trim board assembly.

6. Remove the back door mechanical opener trim cover.
 - (a) Using a screwdriver wrapped with protective tape, pry off claws from back door mechanical opener trim cover.



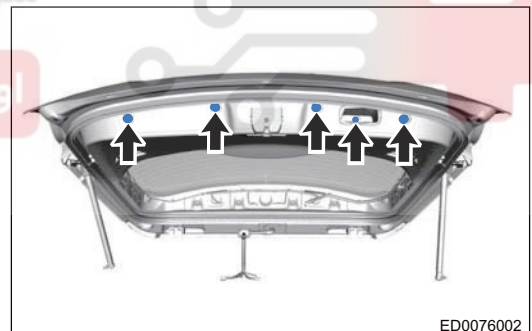
- (b) Remove the back door mechanical opener trim cover (1).

7. Remove the left/right position light service trim cover.
 - (a) Using a screwdriver wrapped with protective tape, pry up the claws from left/right position light.



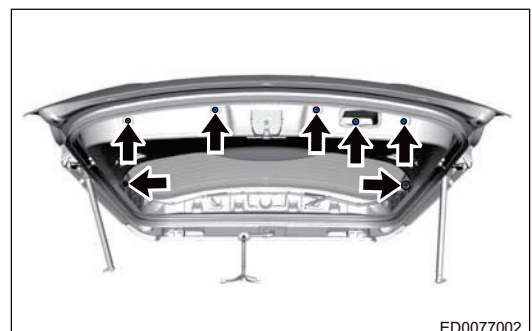
- (b) Remove the left/right position light service trim cover.

8. Remove the back door lower protector assembly.
 - (a) Using a screwdriver wrapped with protective tape, pry off trim cover (arrow) from back door lower protector assembly.



- (b) Remove the fixing screws (arrow) from back door lower protector assembly.

Tightening torque
 $1.5 \pm 0.5 \text{ N}\cdot\text{m}$



47-ENGINE HOOD/DOOR

- (c) Using a screwdriver wrapped with protective tape, pry off claws from back door lower protector assembly.



- (d) Remove the back door lower protector assembly.

Installation

1. Installation is in the reverse order of removal.

Caution:

- When installing back door protector assembly, be sure to wear safety equipment to prevent accidents.
- When removing back door protector assembly, try to prevent body paint surface from being scratched.

دیجیتال خودرو

شرکت دیجیتال خودرو سامانه (مسئولیت محدود)

اولین سامانه دیجیتال تعمیرکاران خودرو در ایران



Back Door Assembly

Removal

Warning/Caution/Hint

Caution:

- When removing back door assembly, be sure to wear safety equipment to prevent accidents.
- When removing back door assembly, try to prevent body paint surface from being scratched.

Warning:

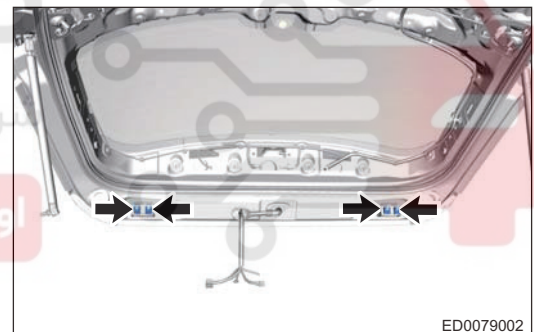
- When removing back door assembly, an assistant is needed to hold it. Try to prevent back door from dropping or suddenly closing to cause accidents during operation.

1. Turn off all electrical equipment and the ENGINE START STOP switch.
2. Disconnect the negative battery cable.
3. Remove the rear spoiler assembly (See page 48-20).
4. Remove the back door protector assembly (See page 47-38).
5. Remove the back door wiper arm (See page 34-20).
6. Remove the back door wiper motor assembly (See page 34-22).
7. Remove the combination taillight (See page 33-98).
8. Remove the back door switch assembly.
9. Remove the back door opening weatherstrip (See page 49-12).
10. Remove the roof assembly (See page 49-23).
11. Remove the back door assembly.

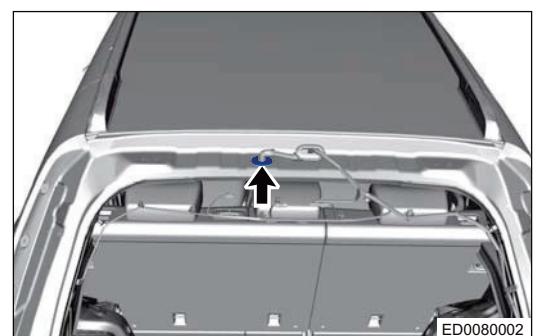
- (a) Remove 4 fixing bolts (arrow) from back door left and right hinges.

Tightening torque

$23 \pm 2.0 \text{ N}\cdot\text{m}$

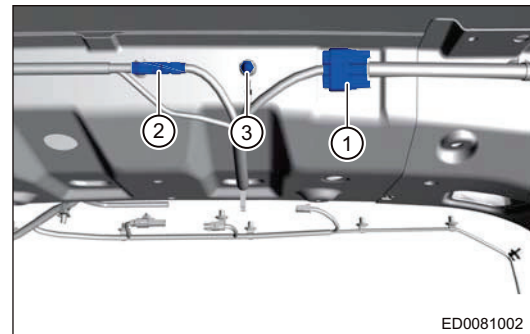


- (b) Using interior special crow plate, pry up the back door wire harness dust boot.

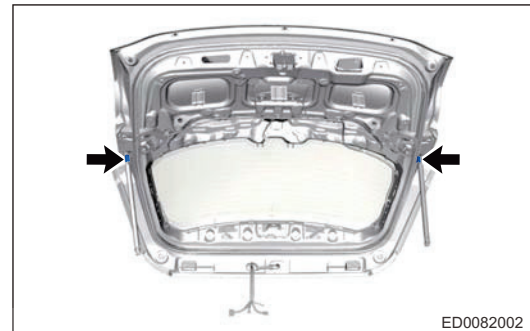


47-ENGINE HOOD/DOOR

- (c) Disconnect back door wire harness assembly connector plug (2), back door wire harness ground fixing nut (1) and back door wiper spraying pipe joint (3).



- (d) Using a screwdriver wrapped with protective tape, pry off the upper fixing clip between left power support and right air spring.



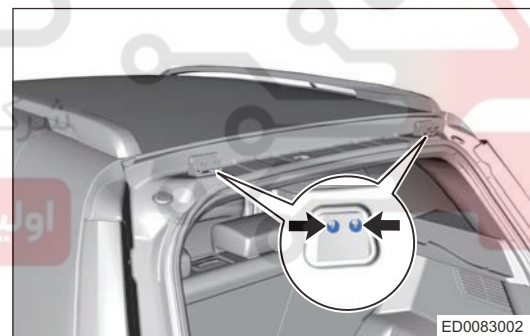
- (e) Remove the back door assembly.

12. Remove the back door hinge assembly.

- (a) Remove 4 fixing bolts (arrow) from back door hinge.

Tightening torque

$23 \pm 2.0 \text{ N}\cdot\text{m}$



- (b) Remove the back door hinge assembly.

Installation

1. Installation is in the reverse order of removal.

Warning:

- When removing back door hinge assembly, an assistant is needed to hold it. During operation, prevent the back door from dropping, which may cause an accident.

Caution:

- When installing back door assembly, be sure to wear safety equipment to prevent accidents.
- When installing back door assembly, try to prevent body paint surface from being scratched.
- After installing back door assembly, it is necessary to perform panoramic image calibration.

Adjustment

1. Adjust the back door assembly.
 - (a) Loosen the fixing bolts on back door assembly and adjust back door assembly position in direction of arrow.

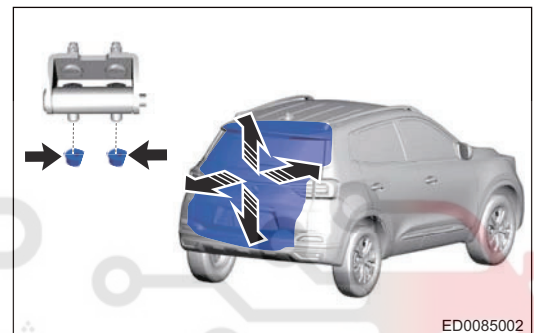


- (b) Tighten back door assembly fixing bolts to specified torques after adjustment.

Tightening torque

$23 \pm 2.0 \text{ N}\cdot\text{m}$

- (c) Loosen the fixing bolts on back door assembly and adjust back door assembly position in direction of arrow.



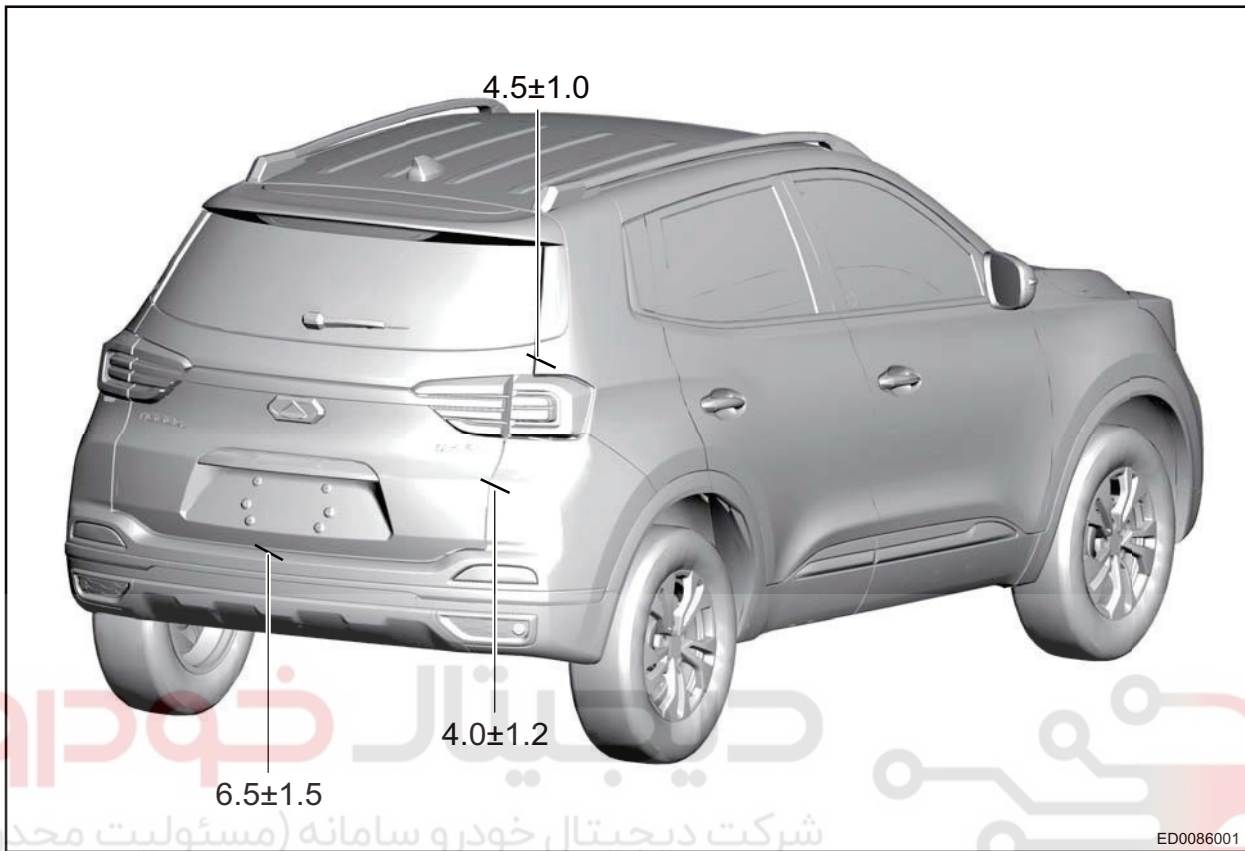
- (d) Tighten back door assembly fixing bolts to specified torques after adjustment.

Tightening torque

$23 \pm 2.0 \text{ N}\cdot\text{m}$

47-ENGINE HOOD/DOOR

- (e) Standard ranges of clearance between installation position of back door assembly and each part are as shown in illustration.



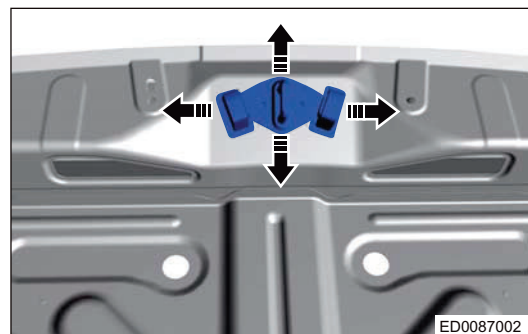
2. Adjust the height of back door assembly with back door assembly adjustable buffer block.

- (a) Lower or raise the back door by rotating the back door assembly adjustable buffer blocks clockwise or counterclockwise.



- 47 3. Adjust the back door assembly.

- (a) Slightly loosen the fixing bolts on back door lock striker assembly, and tap it with a plastic hammer in direction of arrow as shown in illustration to adjust the back door assembly position.



(b) Tighten the fixing bolts on back door lock striker assembly to specified torque after adjustment.

Tightening torque

23 ± 2.0 N·m

Inspection

1. Check back door for wear or deformation during installation, and repair as necessary.
2. Check if fixing bolts, fixing screws are set in position. Tighten them to specified torque as necessary.
3. Check if clearance and alignment between back door assembly installation position and each part are within the specified range. Adjust as necessary.

دیجیتال خودرو

شرکت دیجیتال خودرو سامانه (مسئولیت محدود)

اولین سامانه دیجیتال تعمیرکاران خودرو در ایران



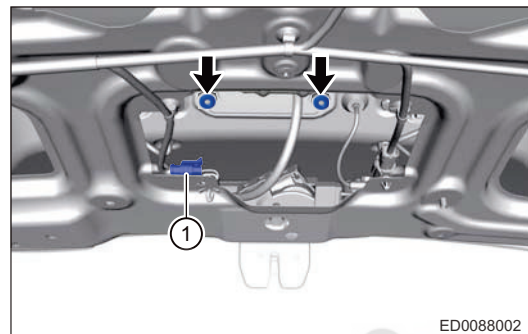
47-ENGINE HOOD/DOOR

Back Door Switch Assembly**Removal****Warning/Caution/Hint****Caution:**

- When installing back door switch assembly, be sure to wear safety equipment to prevent accidents.
- When installing back door assembly, try to prevent body paint surface from being scratched.

1. Turn off all electrical equipment and the ENGINE START STOP switch.
2. Disconnect the negative battery cable.
3. Remove the rear camera assembly (See page 38-52).
4. Remove the back door switch assembly.

- (a) Remove 2 fixing nuts (arrow) from back door switch and disconnect back door switch wire harness connector (1).



ED0088002

Tightening torque

3 ± 0.5 N·m

- (b) Remove the back door switch assembly.

Installation

1. Installation is in the reverse order of removal.

Caution:

- After back door opener switch assembly is installed, install the connector into place.
- After back door opener switch assembly is installed, it is necessary to confirm that the function can operate normally.
- After installing back door opener switch assembly, it is necessary to perform panoramic image calibration.

Back Door Air Spring Assembly

Removal

Warning/Caution/Hint

Caution:

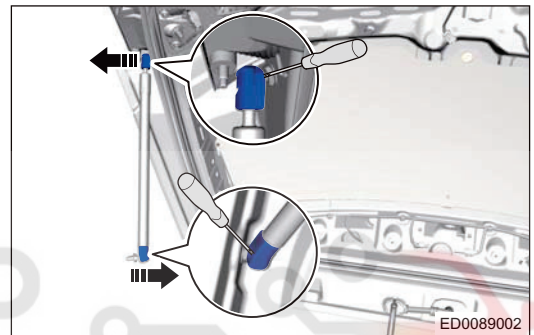
- When removing back door air spring assembly, be sure to wear necessary safety equipment to prevent accidents.
- When installing back door air spring assembly, try to prevent body paint surface from being scratched.

Warning:

- When removing back door air spring assembly, one assistance is needed to hold back door; avoid back door falling down or closing suddenly during opening, resulting in accidents.

1. Turn off all electrical equipment and the ENGINE START STOP switch.
2. Disconnect the negative battery cable.
3. Remove the right back door air spring assembly.

- (a) Using a screwdriver wrapped with protective tape, pry off fixing clips (arrow) from upper part of back door air spring.



- (b) Using a screwdriver wrapped with protective tape, pry off fixing clips (arrow) from lower part of back door air spring.
- (c) Remove the air spring assembly in direction of arrow.

Installation

1. Installation is in the reverse order of removal.

Warning:

- When removing back door air spring assembly, one assistance is needed to hold back door; avoid back door falling down or closing suddenly during opening, resulting in accidents.

Caution:

- When removing back door air spring assembly, be sure to wear necessary safety equipment to prevent accidents.
- During removal of back door air spring assembly, avoid back door falling off during operation, resulting in damage to body or front windshield.

- MEMO -

دیجیتال خودرو

شرکت دیجیتال خودرو سامانه (مسئولیت محدود)

اولین سامانه دیجیتال تعمیرکاران خودرو در ایران

