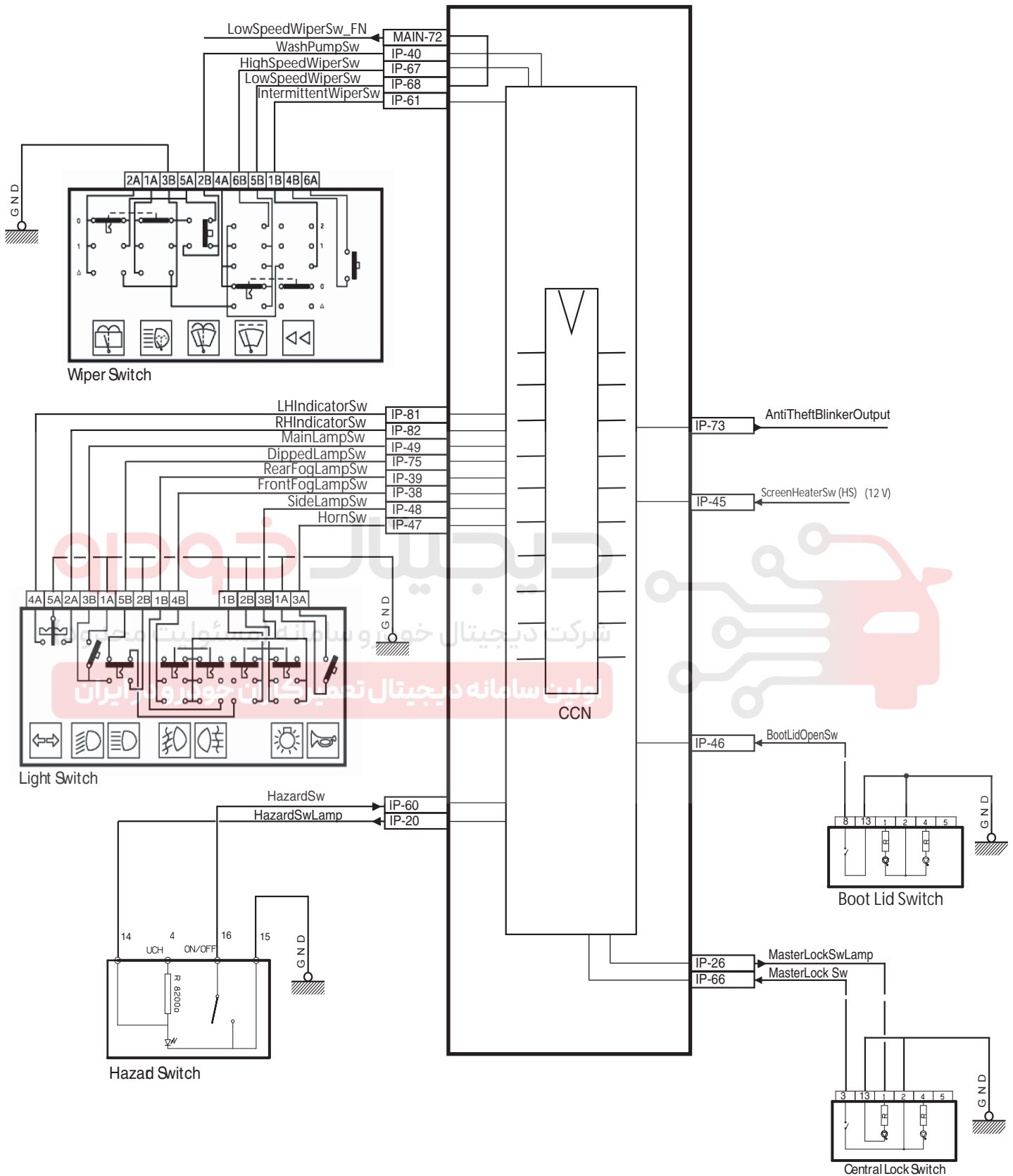


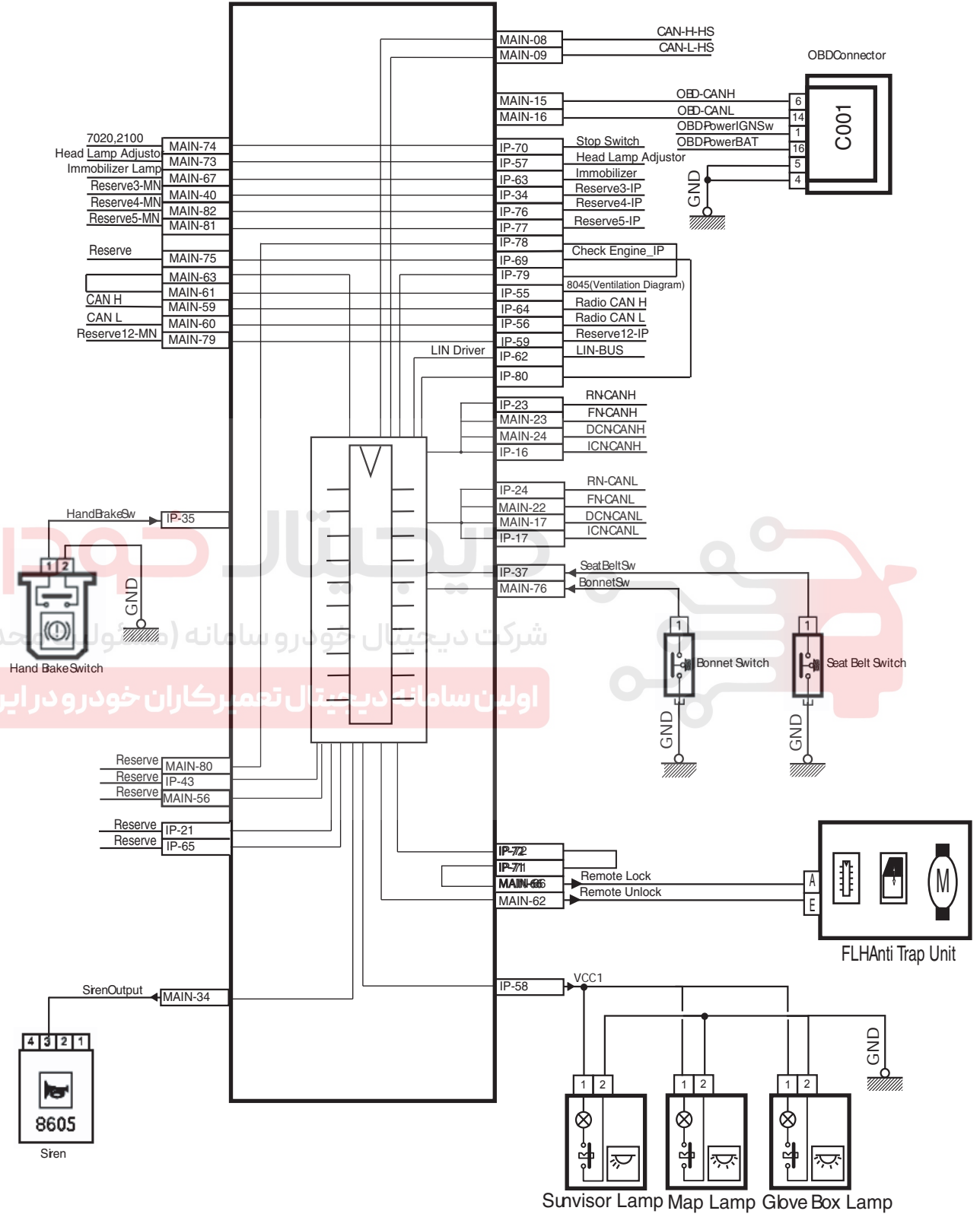
CCN Node - Dena SMS MUX

MAIN = 82W BK  
IP = 82W GY



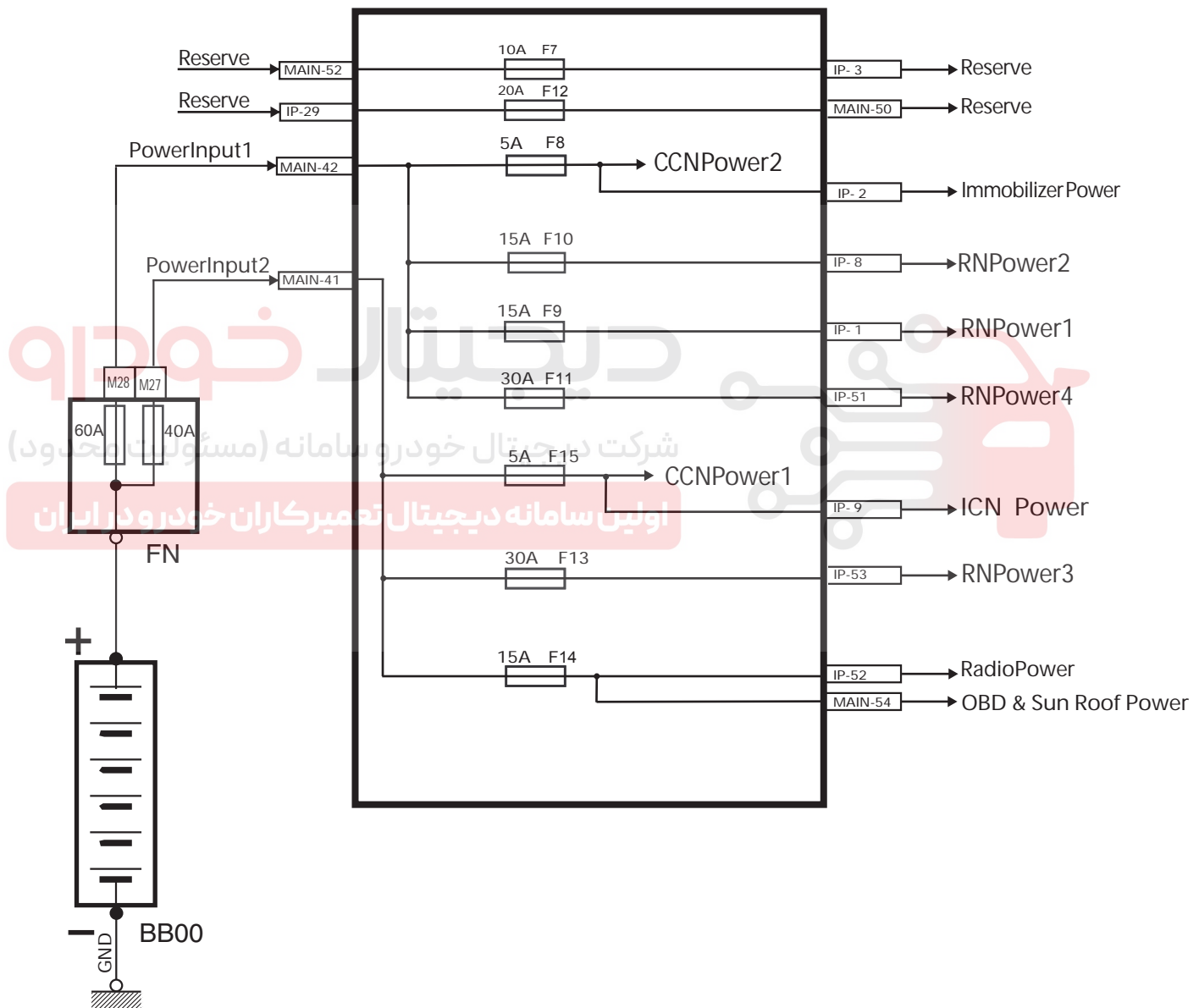
Node CCN- Dena SMS MUX

MAIN = 82W BK  
IP = 82W GY

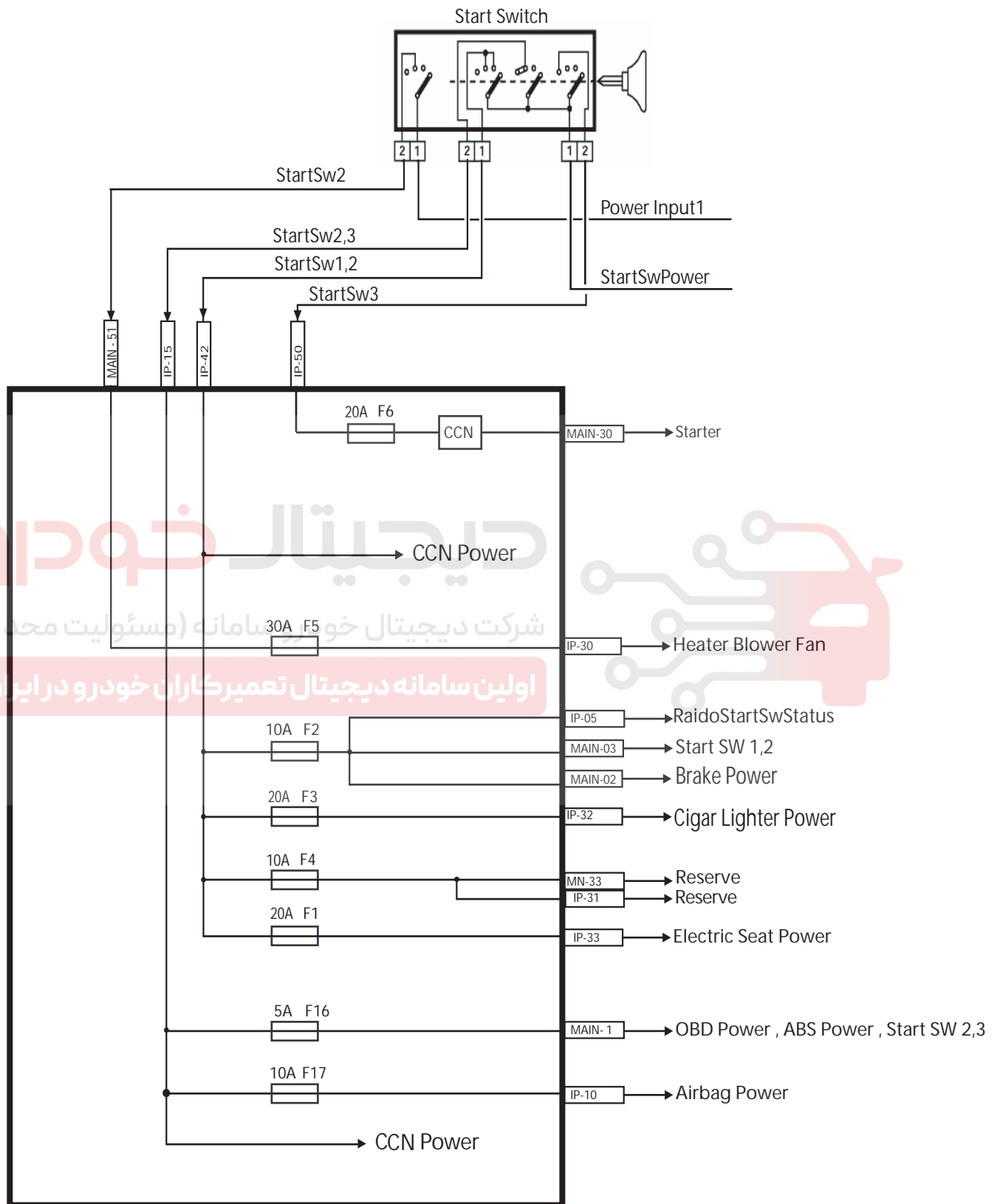


CCN Node - Dena SMS MUX

IP = 82W GY  
MAIN = 82W BK



CCN Node - Dena SMS MUX



IP = 82W GY  
MAIN = 82W BK