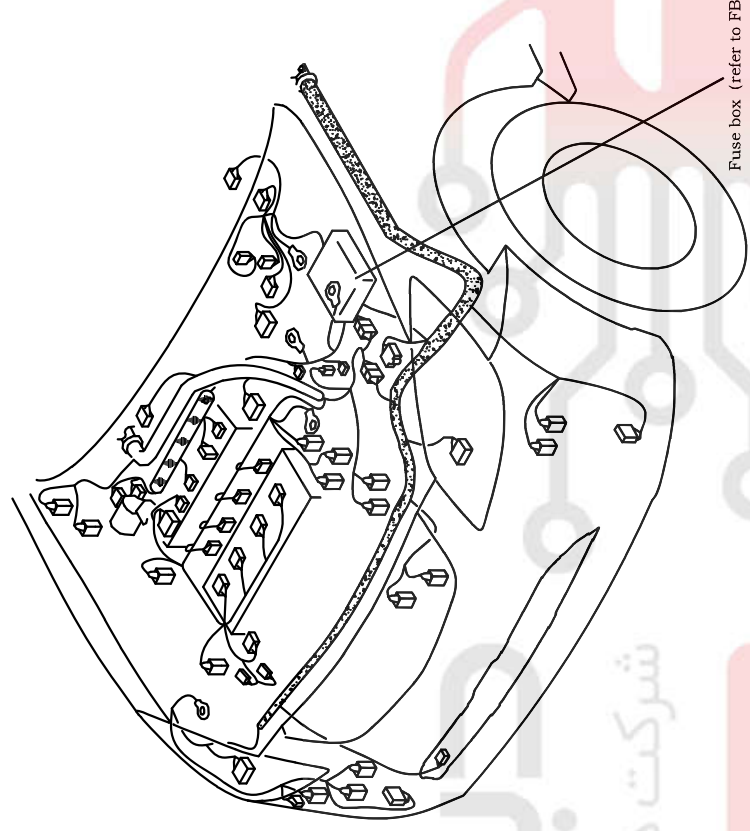
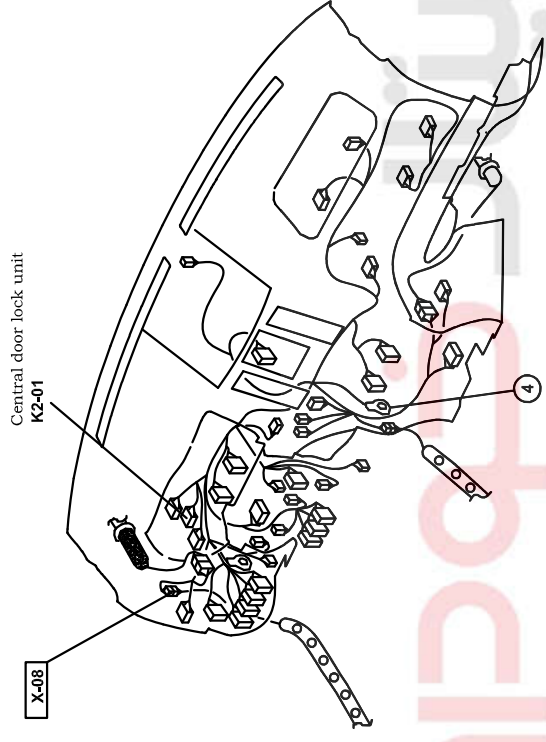


<p>K2-01 Central door lock unit (D)</p> <table border="1"> <tr> <td>M</td> <td>*</td> <td>GR/L</td> <td>*</td> <td></td> <td>A</td> <td>R/W</td> <td>V</td> </tr> <tr> <td>B</td> <td>GR/R</td> <td>*</td> <td></td> <td>O/W</td> <td>*</td> <td>R/L</td> <td>*</td> </tr> <tr> <td>N</td> <td></td> <td></td> <td></td> <td></td> <td></td> <td></td> <td></td> </tr> </table>	M	*	GR/L	*		A	R/W	V	B	GR/R	*		O/W	*	R/L	*	N								<p>K1-01 Power window main switch (DR1)</p> <table border="1"> <tr> <td>A1</td> <td>*</td> <td>R/L</td> <td>R/B</td> <td>BR</td> <td>*</td> <td></td> <td></td> </tr> <tr> <td>A8</td> <td>*</td> <td>BR/W</td> <td>R</td> <td>BR/B</td> <td>G/O</td> <td>A14</td> <td></td> </tr> <tr> <td>B1</td> <td>*</td> <td>V/B</td> <td>V/W</td> <td>V/R</td> <td>GR/L</td> <td>B6</td> <td></td> </tr> <tr> <td>B7</td> <td>*</td> <td>V/Y</td> <td>V/G</td> <td>GR/R</td> <td>Y/W</td> <td>Y/B</td> <td>B12</td> </tr> </table>	A1	*	R/L	R/B	BR	*			A8	*	BR/W	R	BR/B	G/O	A14		B1	*	V/B	V/W	V/R	GR/L	B6		B7	*	V/Y	V/G	GR/R	Y/W	Y/B	B12	<p>K2-02 FL door lock actuator (DR1)</p> <table border="1"> <tr> <td>F</td> <td>R/W</td> <td>O/W</td> <td>B</td> </tr> <tr> <td>E</td> <td>D</td> <td>C</td> <td>A</td> </tr> </table>	F	R/W	O/W	B	E	D	C	A	
M	*	GR/L	*		A	R/W	V																																																												
B	GR/R	*		O/W	*	R/L	*																																																												
N																																																																			
A1	*	R/L	R/B	BR	*																																																														
A8	*	BR/W	R	BR/B	G/O	A14																																																													
B1	*	V/B	V/W	V/R	GR/L	B6																																																													
B7	*	V/Y	V/G	GR/R	Y/W	Y/B	B12																																																												
F	R/W	O/W	B																																																																
E	D	C	A																																																																

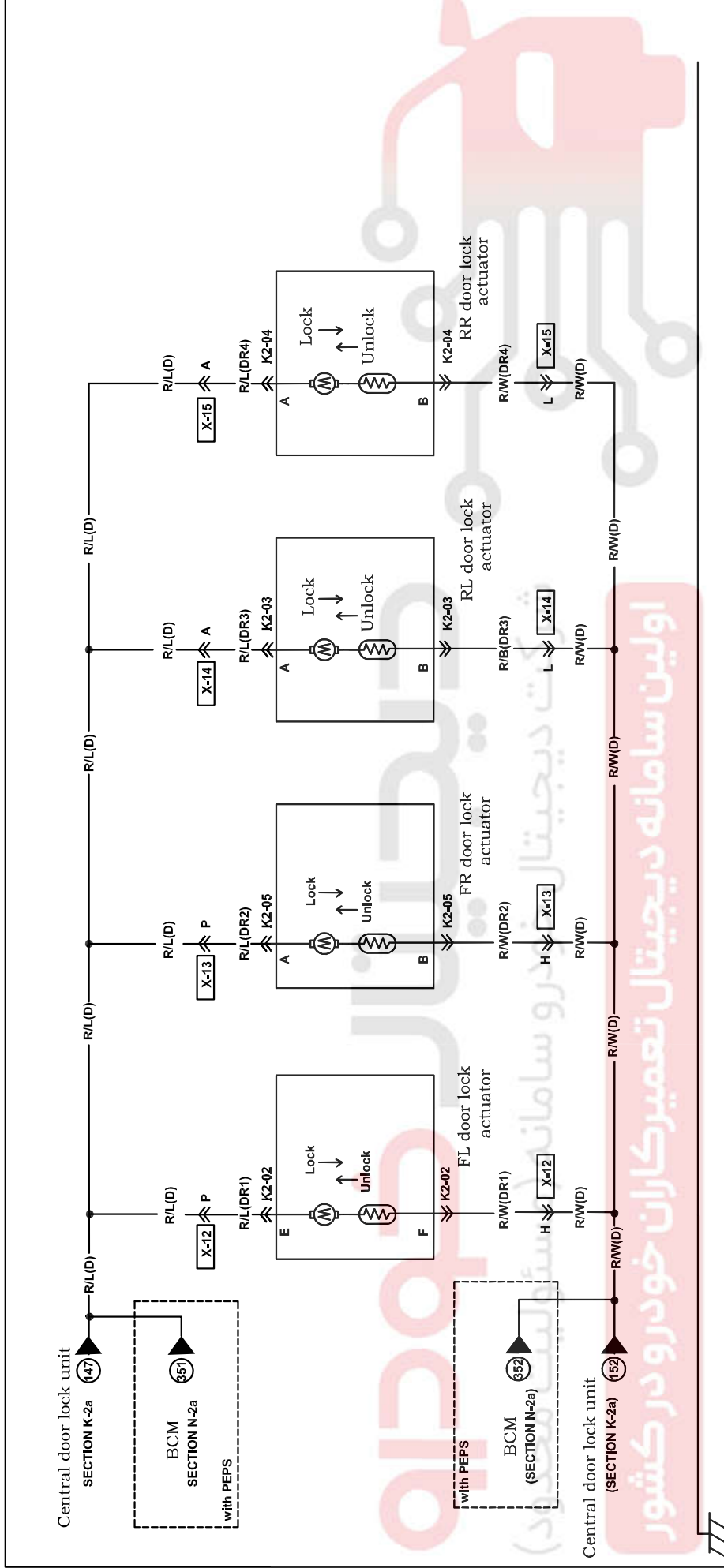
Middle harness (D) - Instrument harness (I)



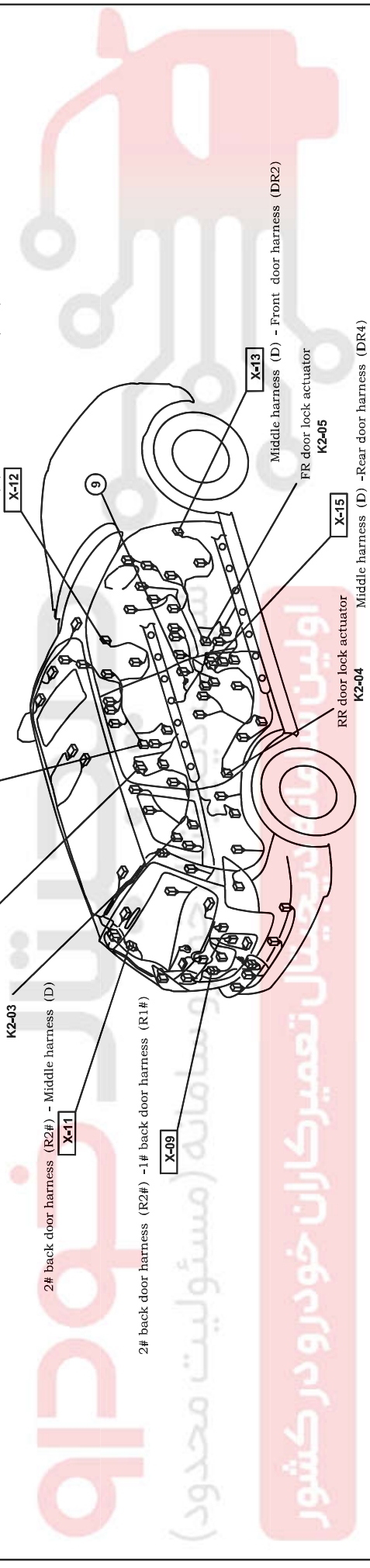
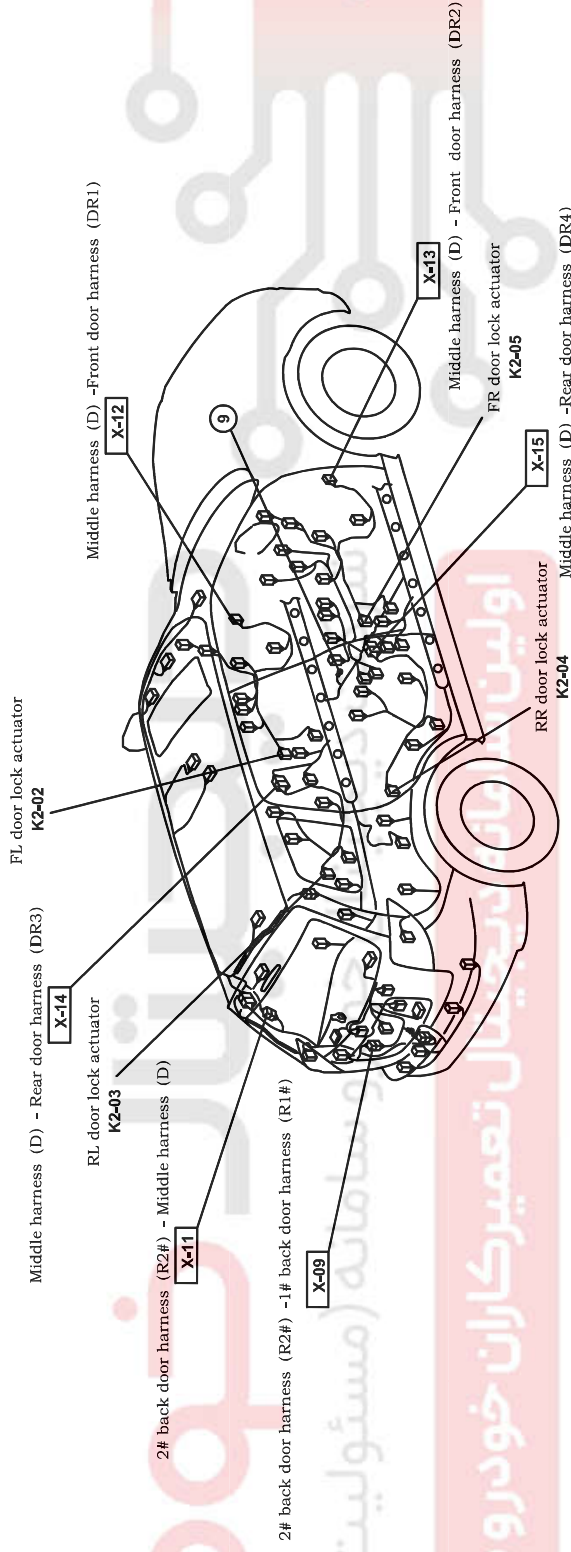
شرکت دیجیتال خودرو سامانه (مسئولیت محدود)
 اولین سامانه دیجیتال تعمیر کاران کشور

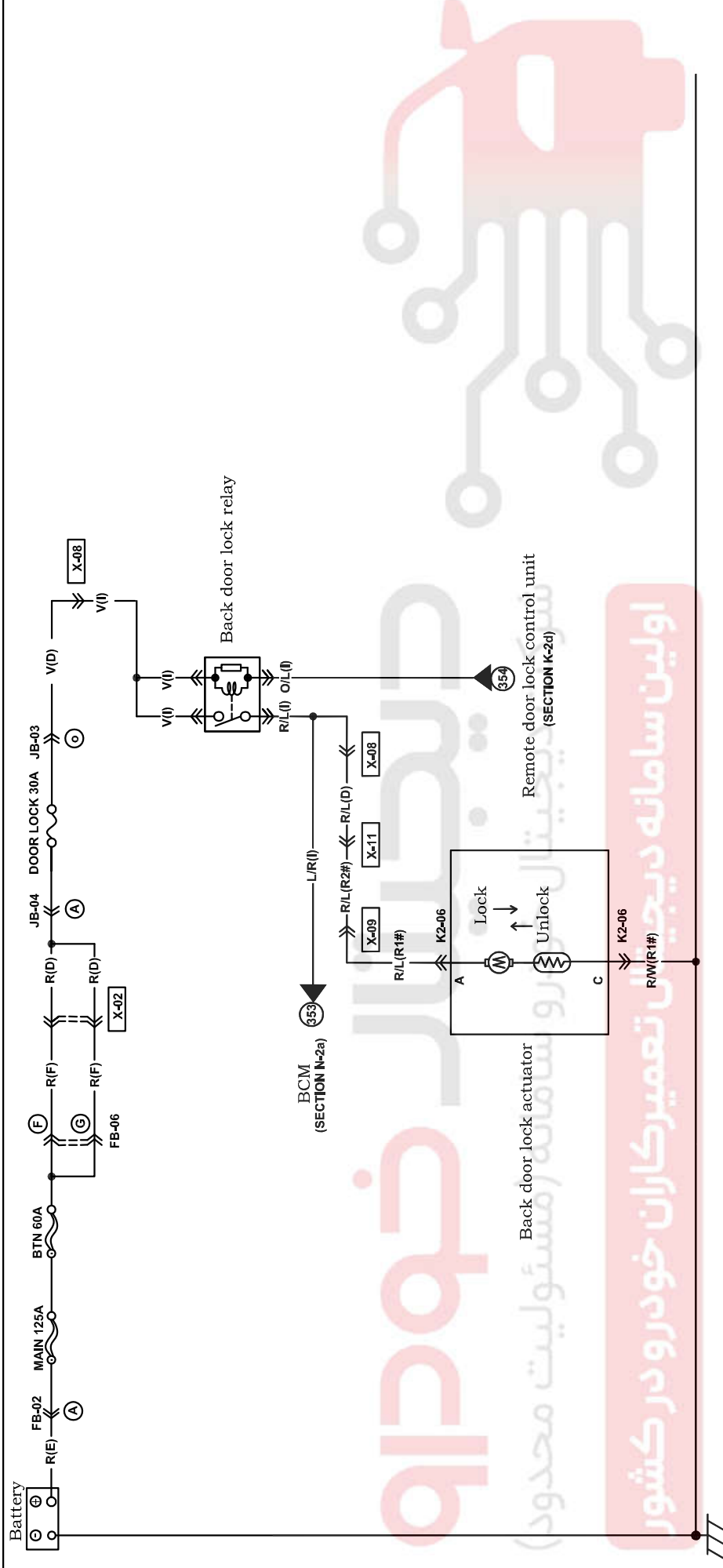
Junction box (refer to JB)

Central locking switch F1-01

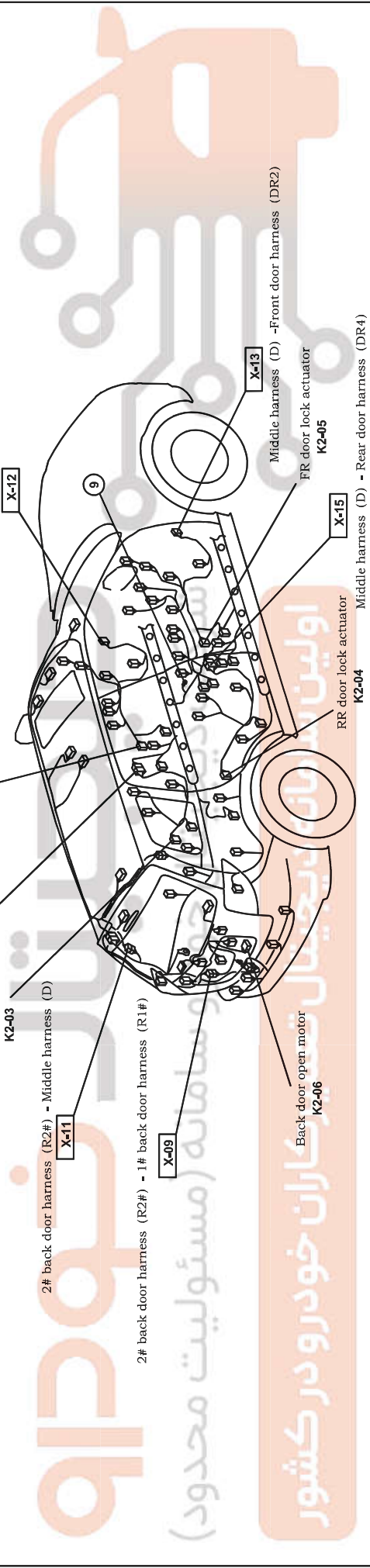
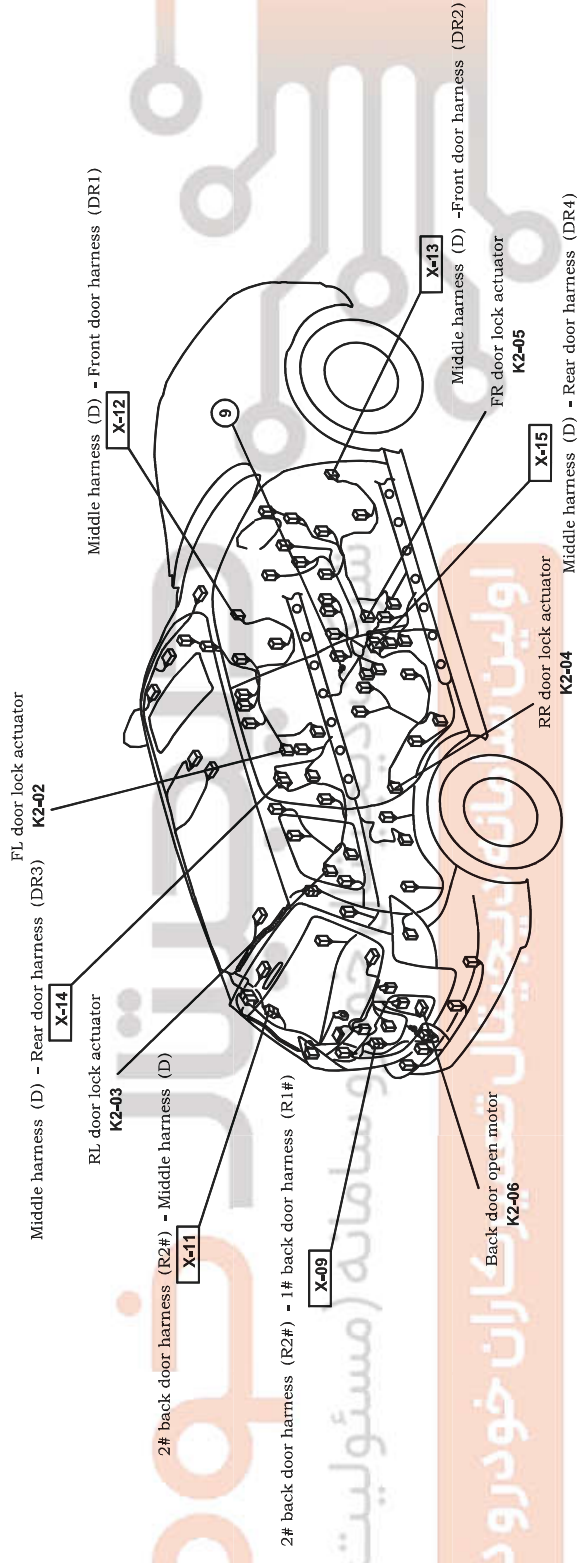


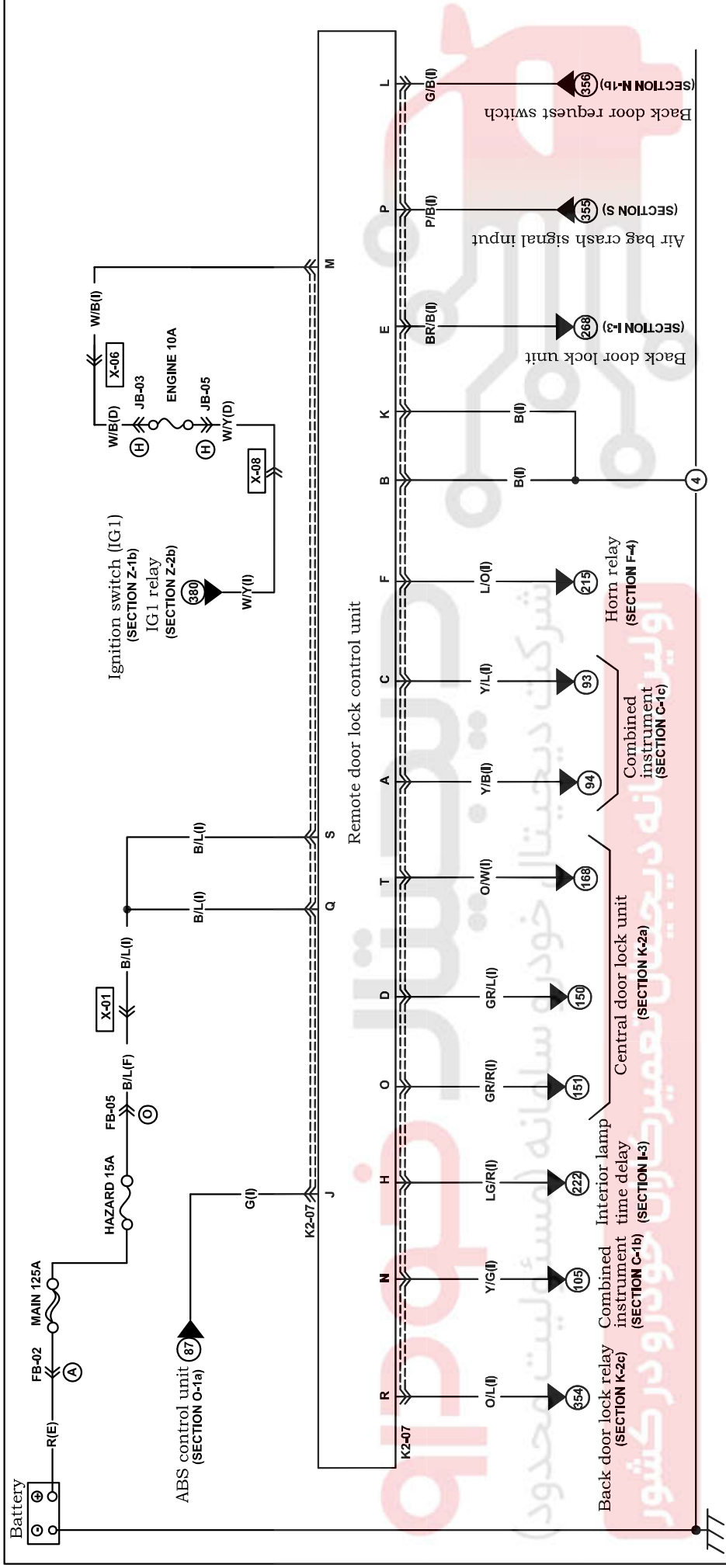
<p>K2-02 FL door lock actuator (DR1)</p>	<p>K2-04 RR door lock actuator (DR4)</p>		
<p>K2-03 RL door lock actuator (DR3)</p>	<p>K2-05 FR door lock actuator (DR2)</p>	<p>\$ with PEPS</p>	





<p>K2-06 Back door open motor (R:L)</p> <table border="1"> <tr> <td>E</td> <td>D</td> <td>C</td> <td>B</td> <td>A</td> </tr> <tr> <td>*</td> <td>*</td> <td>L/R</td> <td>*</td> <td>B</td> </tr> </table>	E	D	C	B	A	*	*	L/R	*	B				
	E	D	C	B	A									
*	*	L/R	*	B										



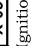


K2-07 Remote door lock control unit (I)

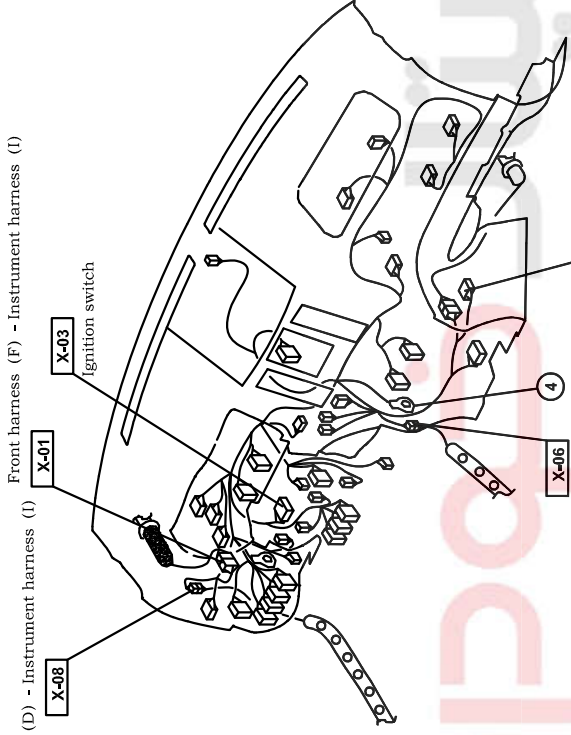
S	Q	O	M	K	I	G	E	C	A
B/L	B/L	GR/R	W/B	B	*	BR/B	Y/L	Y/B	
O/W	O/L	P/B	Y/G	G/B	G	LG/R	L/O	GR/L	B
T	R	P	N	L	J	H	F	D	B

Middle harness (D) - Instrument harness (I)  X-02

 X-01

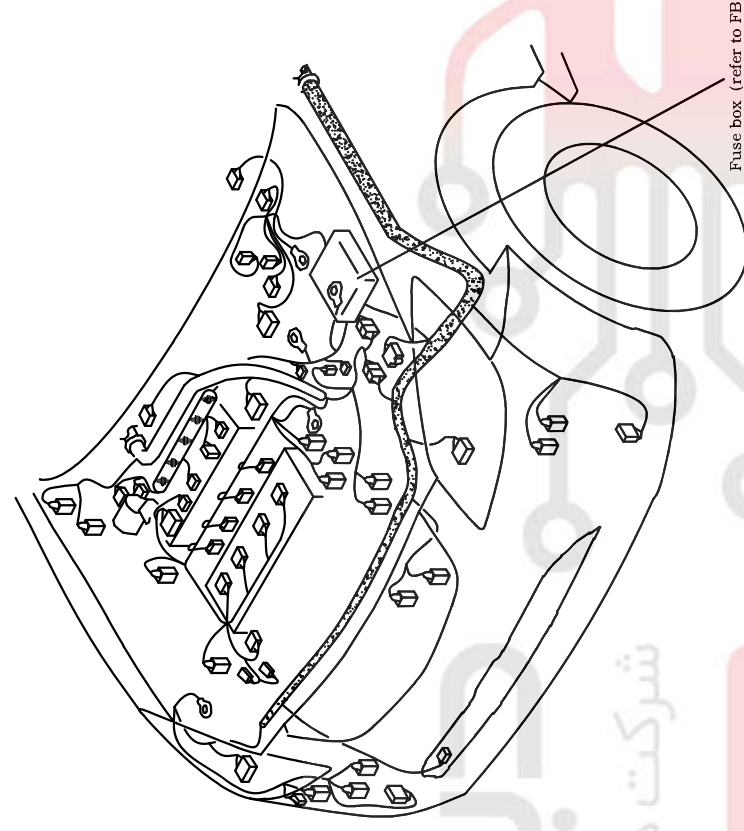
 X-03

Ignition switch



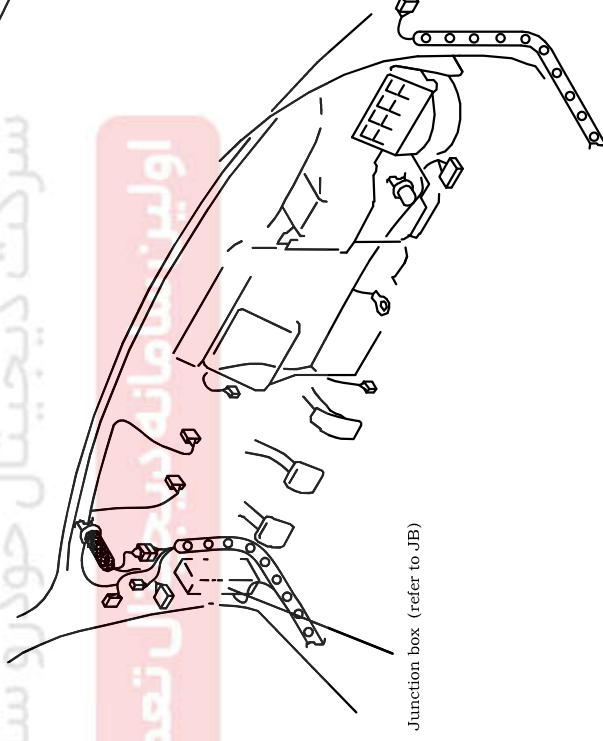
Middle harness (D) - Instrument harness (I)  X-06

Remote door lock control unit K2-07



Fuse box (refer to FB)

شرکت دیجیتال خودرو سامانه تعمیرات محدود
اولین سامانه دیجیتال تعمیرات خودرو کشور



Junction box (refer to JB)