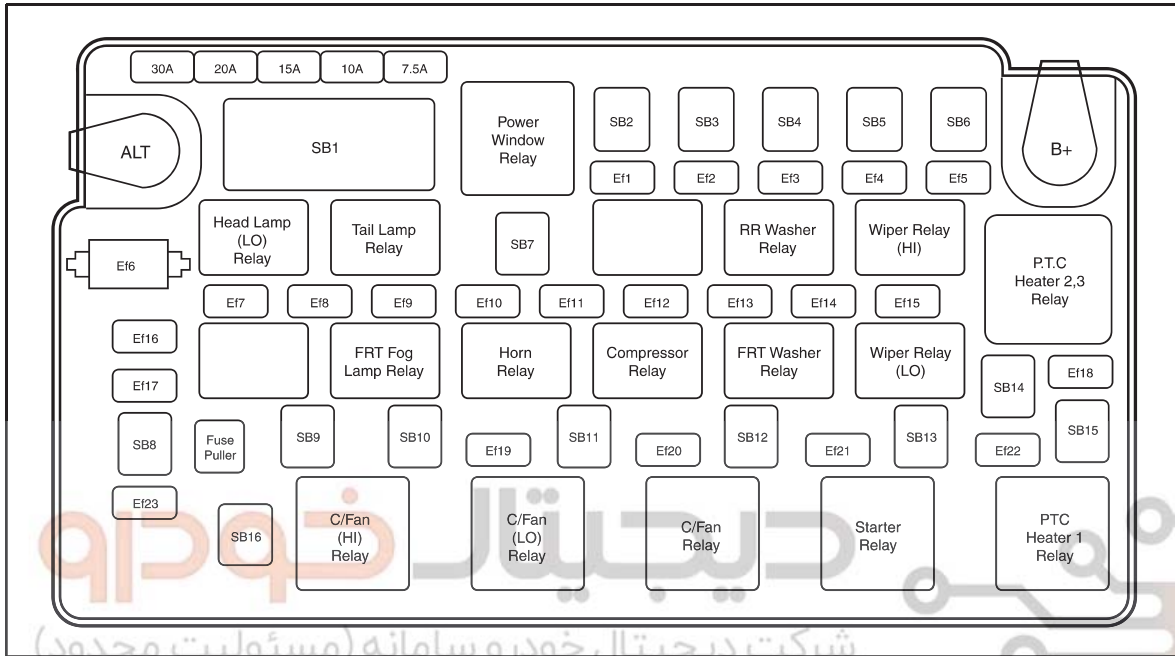


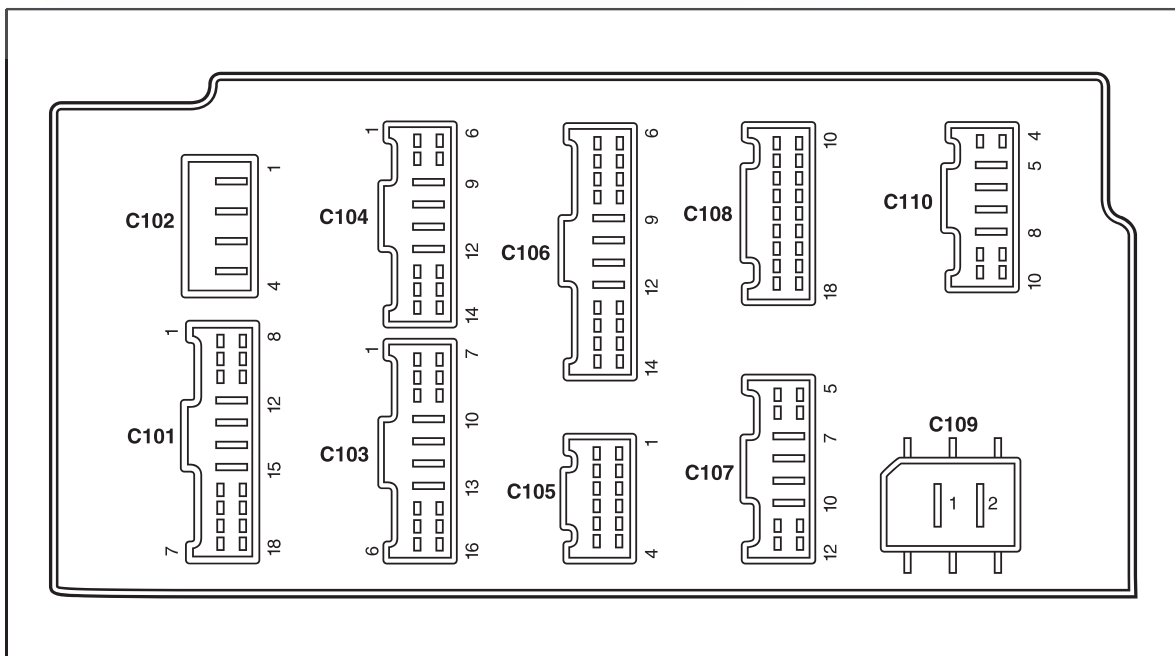
FUSE / RELAY

8410-00 ENGINE ROOM FUSE / RELAY BOX

1) UPPER

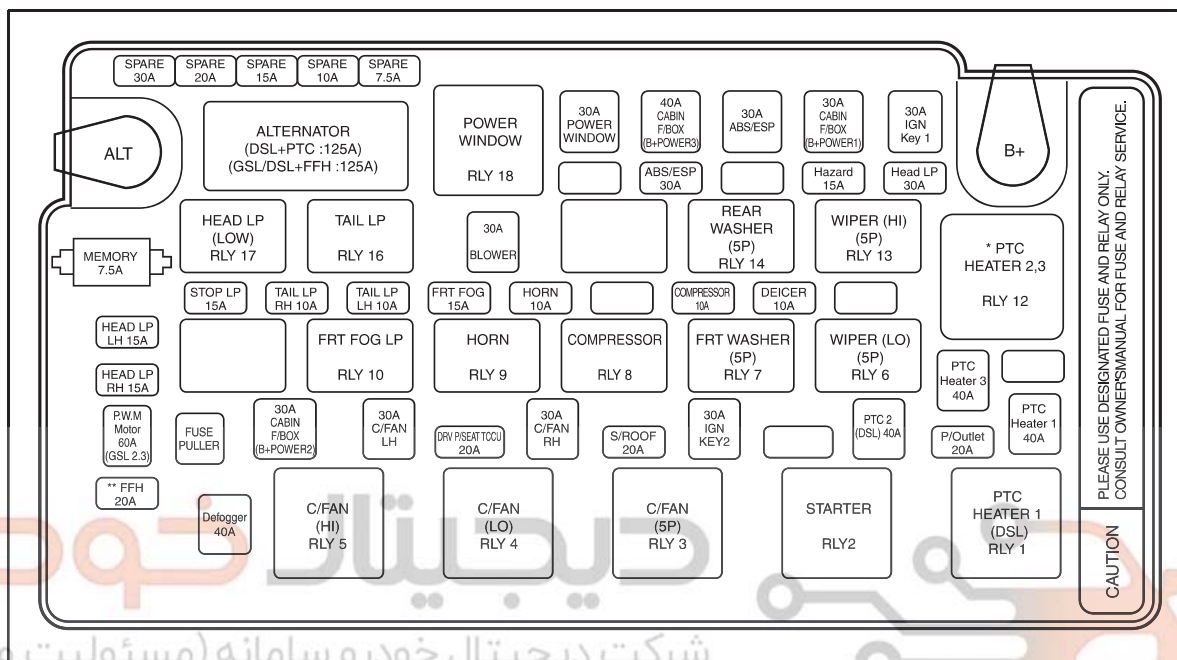


2) LOW



Modification basis	
Application basis	
Affected VIN	

3) ENGINE ROOM FUSE / RELAY BOX



Modification basis	
Application basis	
Affected VIN	

4) USAGE OF FUSE IN ENGINE ROOM FUSE BOX

Fuse No.	Capacity	Usage	Fuse No.	Capacity	Usage
SB1	125A	Alternator (PTC/FFH)	Ef5	30A	Head Lamp
SB2	30A	Power Window	Ef6	7.5A	Memory
SB3	40A	IP-RH Fuse Box (B+) F65~F71	Ef7	15A	Stop Lamp
SB4	30A	ABS/ESP	Ef8	10A	Tail Lamp (LH)
SB5	30A	IP-LH Fuse Box (B+) F44~F49	Ef9	10A	Tail Lamp (RH)
SB6	30A	IGN Key 1	Ef10	15A	FRT Fog
SB7	30A	Blower Motor	Ef11	10A	Horn
SB8	60A	PWM Motor (GSL 2.3)	Ef12	-	-
SB9	30A	IP-LH Fuse Box (B+) F51~F55	Ef13	10A	Compressor
SB10	30A	C/Fan LH	Ef14	10A	Deicer
SB11	30A	C/Fan RH	Ef15	-	-
SB12	30A	IGN Key 2	Ef16	15A	Head Lamp (LH)
SB13	40A	P.T.C Heater 2 (DSL)	Ef17	15A	Head Lamp (RH)
SB14	40A	P.T.C Heater 3 (DSL)	Ef18	-	-
SB15	40A	P.T.C Heater Relay 1 (DSL)	Ef19	20A	Driver P/Seat, TCCU
SB16	40A	Defogger	Ef20	20A	S/Roof
Ef1	-	-	Ef21	-	-
Ef2	30A	ABS/ESP	Ef22	20A	RR Power Outlet
Ef3	-	-	Ef23	20A	FFH
Ef4	15A	Hazard			

Modification basis	
Application basis	
Affected VIN	

5) ENGINE ROOM FUSE BOX CONNECTOR NUMBER

Connector No.	Pin No.	Connector Color
C101	18	White
C102	4	White
C103	16	White
C104	14	White
C105	10	White
C106	20	White
C107	12	White
C108	18	White
C109	2	Black
C110	10	White

دیجیتال خودرو

شرکت دیجیتال خودرو سامانه (مسئولیت محدود)

اولین سامانه دیجیتال تعمیرکاران خودرو در ایران



Modification basis	
Application basis	
Affected VIN	

POWER DISTRIBUTION

ACTYON 2010.01