

BD-2**Body (Interior and Exterior)****General Information****Specifications**

| | | |
|------------|------------------|---|
| Hood | Type | Rear hinged, gas lifter type |
| Front Door | Construction | Front hinged, full door construction |
| | Regulator system | Wire drum type |
| | Locking system | Pin-fork system |
| Rear Door | Construction | Front hinged, full door construction |
| | Regulator system | Wire drum type |
| | Locking system | Pin-fork system |
| Tailgate | Type | Inner hinged, Gas lifter |
| Seat Belts | Front | 3 point type with Emergency Locking Retractor (E.L.R) |
| | Rear | 3 point type with Emergency Locking Retractor (E.L.R) |

دیجیتال خودرو

شرکت دیجیتال خودرو سامانه (مسئولیت محدود)

اولین سامانه دیجیتال تعمیرکاران خودرو در ایران



General Information

BD-3

Tightening Torque

| Items | | N·m | kgf·m | Lbf·ft |
|----------------------|--|-------------|-----------|-------------|
| Front and rear doors | Door hinge to body | 21.6~26.5 | 2.2~2.7 | 15.9~19.5 |
| | Door hinge to door | 21.6~26.5 | 2.2~2.7 | 15.9~19.5 |
| | Door Striker | 16.7~21.6 | 1.7~2.2 | 12.3~15.9 |
| | Checker to body | 16.7~21.6 | 1.7~2.2 | 12.3~15.9 |
| | Checker to door | 6.9~10.8 | 0.7~1.1 | 5.1~8.0 |
| Hood | Hood hinge to body | 21.6~26.5 | 2.2~2.7 | 15.9~19.5 |
| | Hood hinge to hood | 21.6~26.5 | 2.2~2.7 | 15.9~19.5 |
| | Hood latch to body | 6.9~10.8 | 0.7~1.1 | 5.1~8.0 |
| Seat | Front seat mounting bolts | 34.3 ~ 53.9 | 3.5~5.5 | 25.3~39.8 |
| | Rear seat mounting bolts | 16.7~25.5 | 1.7~2.6 | 12.3~18.8 |
| Seat belt | Front seat belt height adjuster | 39.2~53.9 | 4.0 ~ 5.5 | 28.9 ~ 39.8 |
| | Front seat belt buckle mounting bolt | 39.2~53.9 | 4.0 ~ 5.5 | 28.9 ~ 39.8 |
| | Front seat belt anchor mounting bolt | 39.2~53.9 | 4.0 ~ 5.5 | 28.9 ~ 39.8 |
| | Front seat belt lower anchor | 39.2~53.9 | 4.0 ~ 5.5 | 28.9 ~ 39.8 |
| | Front seat belt upper anchor | 39.2~53.9 | 4.0 ~ 5.5 | 28.9 ~ 39.8 |
| | Rear seat belt anchor attaching bolt | 39.2~53.9 | 4.0 ~ 5.5 | 28.9 ~ 39.8 |
| | Rear seat belt retractor mounting bolt | 39.2~53.9 | 4.0 ~ 5.5 | 28.9 ~ 39.8 |

اولین سامانه دیجیتال تعمیرکاران خودرو در ایران

BD-4

Body (Interior and Exterior)

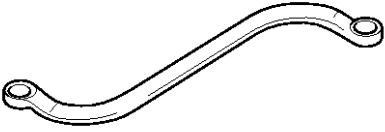

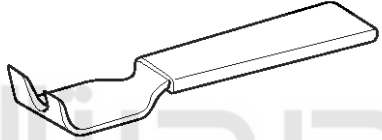

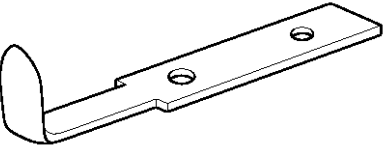
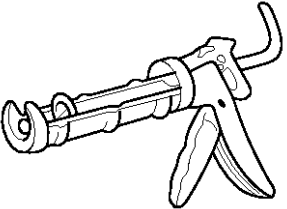
Troubleshooting

| Symptom | Suspect Area | Remedy (Refer to page) |
|--|---|---|
| Water leaks from sunroof | Dirt accumulated in drain tube | Clear dirt inside of drain |
| | Clogged drain tube | Blow air into drain to remove dirt |
| | Broken or dislocated drain tube, defective or cracked clip | Check tube installation and flange contact |
| | Deteriorated roof lid weatherstrip | Replace |
| | Excessive roof lid-to-body clearance and improperly fitted weatherstrip | Adjust |
| Wind noise around sunroof | Loose or deformed deflector, gaps in body work | Retighten adjust or replace |
| Sunroof lid makes a noise when move | Foreign particles lodged in guide rail | Check drive cable and guide rails for foreign particles |
| | Loose guide rails and lid | Retighten |
| Motor runs but sunroof Does not move or moves only partially | Foreign particles lodged in guide rail | Adjust or replace |
| | Incorrect engagement of motor pinion with drive cable | |
| | Decrease in motor's clutch slipping force | |
| | Increased sunroof sliding resistance or interference of sunroof with drive cables, weatherstrip, etc. due to maladjustment of sunroof | |
| Noise in motor (clutch slipping noise from motor when sunroofs fully opened or closed is not an unusual noise) | Incorrect engagement of motor pinion with drive cable | Check pinion installation and retighten motor |
| | Worn out or damaged motor pinion bearing | Replace motor assembly |
| | Worn out or deformed drive cable | Replace |
| Door glass fails to operate up and down | Incorrect window glass installation | Adjust position |
| | Damaged or faulty regulator arm or regulator | Correct or replace |
| Door does not open or close completely | Incorrect door installation | Adjust position |
| | Defective door check assembly | Correct or replace |
| | Door hinge requires grease | Apply grease |
| Hood does not open or close completely | Striker and latch not properly aligned | Adjust |
| | Incorrectly installed hood | Adjust |
| | Incorrect hood bumper height | Adjust |
| Water leak through windshield end rear window | Defective seal | Fill with sealant |
| | Defective flange | Correct |

General Information

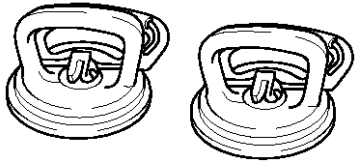
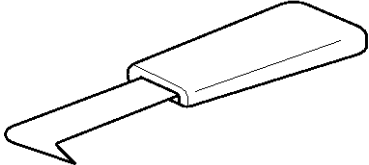
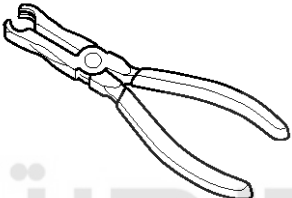
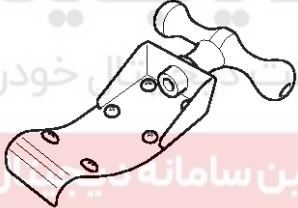
BD-5

Special Service Tools

| Tool (Number and name) | Illustration | Use |
|--|---|---|
| 09793-21000 Door hinge adjusting wrench |  | Adjustment, removal and installation of the door hinge |
| 09800-21000 Ornament remover |  | Trim removal |
| 09853-31000 Headliner clip remover |  | Removal of the headliner clips |
| 09861-31100 Sealant cut-out tool |  | Cutting the sealant of the windshield (Use with 09861-31200) |
| 09861-31200 Sealant cutting blade |  | Cutting the sealant of the windshield (Use with 09861-31100) |
| 09861-31300 Sealant gun |  | Application of the sealant to the windshield |

BD-6

Body (Interior and Exterior)

| Tool (Number and name) | Illustration | Use |
|---|---|--|
| 09861-31400 Glass holder |  | Removal and installation of the windshield |
| 09861-31000 Windshield molding remover |  | Removal of the windshield molding |
| 09880-4F000 Hog ring clip installer |  | Installation of the hog ring clip |
| 09840-1E100 Center fascia remover |  | Center fascia removal |

Exterior

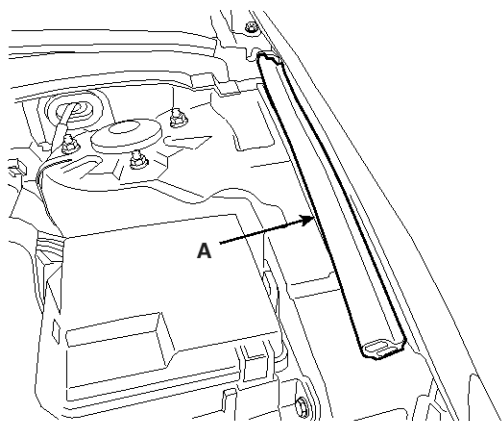
BD-7

Exterior

Fender

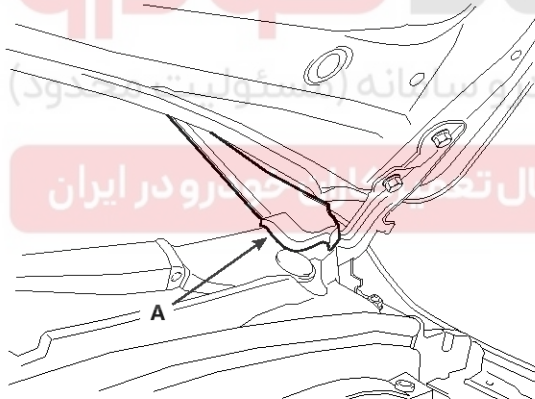
Replacement

1. Remove the hood side seal strip (A).



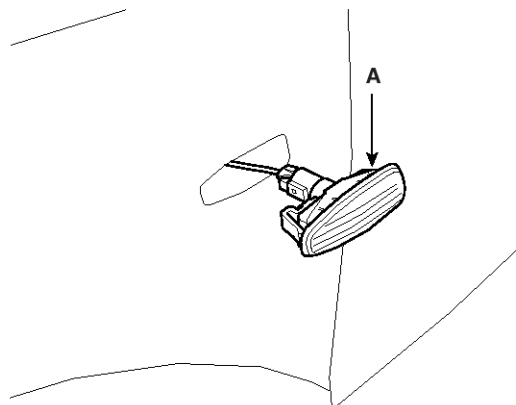
SFDBD8301L

2. Remove the windshield side molding (A).



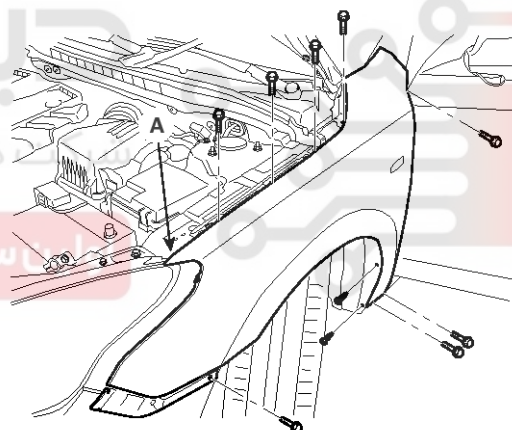
SFDBD8302L

3. Remove the fender side lamp (A).



SFDBD8303L

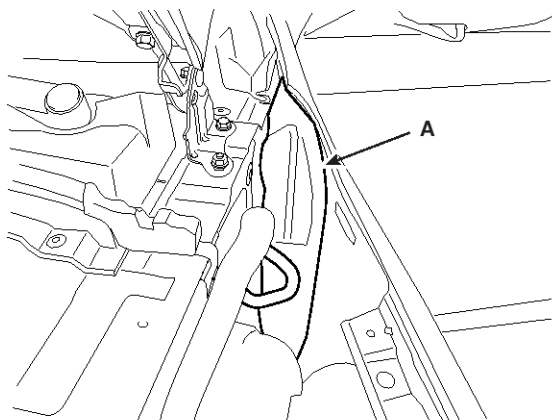
4. Remove the fender mounting bolts (A).



SFDBD8304L

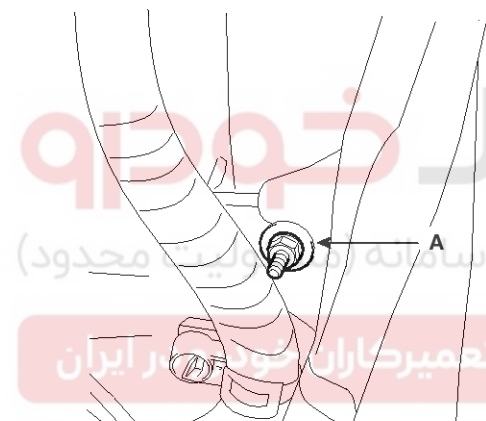
BD-8**Body (Interior and Exterior)**

5. Remove the insulator pad (A).



SFDBD8305L

6. After loosening the mounting nut (A), remove the fender.



SFDBD8306L

7. Installation is the reverse of removal.

Exterior

BD-9

Hood

Replacement

Hood Assembly Replacement

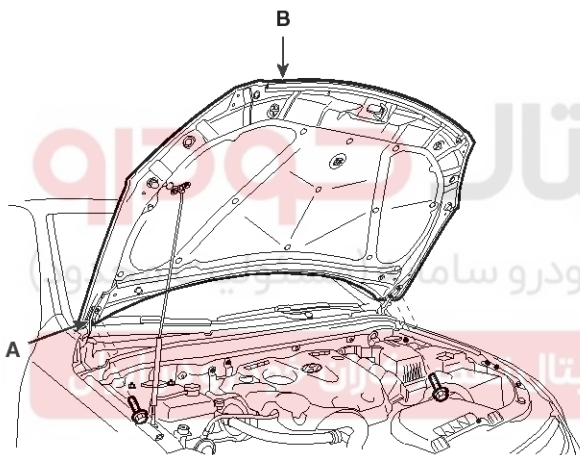
NOTICE

- When removing and installing the hood, an assistant is necessary.
- Take care not to damage the hood and body.
- When removing the clips, use a clip remover.

1. After loosening the hood hinge (A) mounting bolts, remove the hood (B).
2. Installation is the reverse of removal.

NOTICE

- Make sure the hood opens properly and locks securely.
- Adjust the hood alignment.



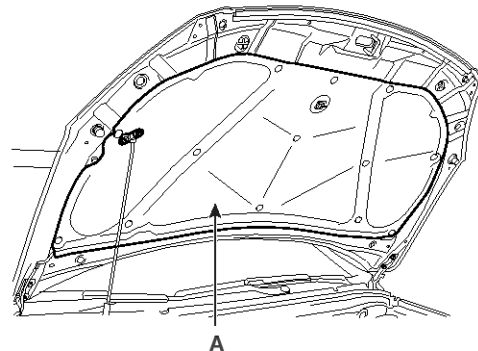
SFDBD7001L

Hood Insulator Pad Replacement

1. Using a clip remover, detach the clips, and remove the hood insulator (A).

NOTICE

Take care not to scratch the hood panel.



SFDBD7002L

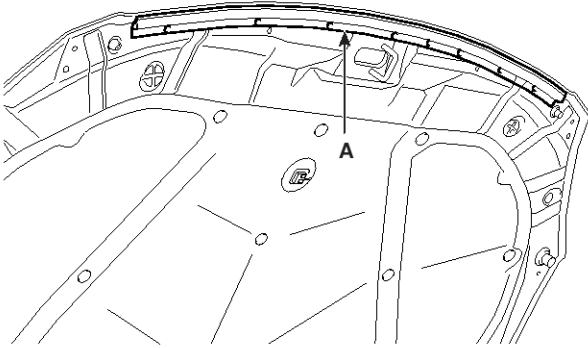
2. Installation is the reverse of removal.

NOTICE

Replace any damaged clips.

BD-10**Body (Interior and Exterior)****Hood Seal Weatherstrip Replacement**

1. Detach the clips, then remove the hood weatherstrip(A). Take care not to scratch the hood.



SFDBD7003L

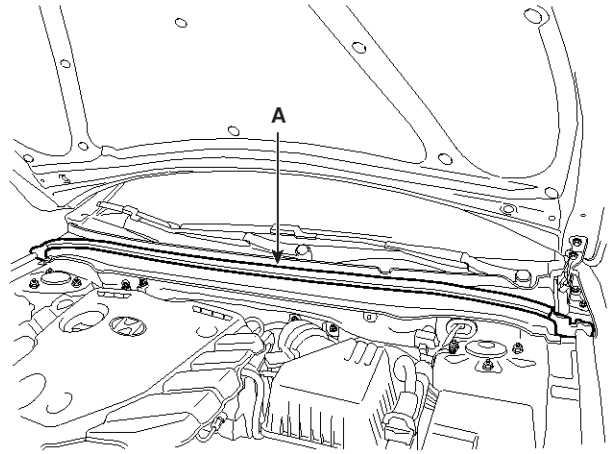
2. Installation is the reverse of removal.

NOTICE

- Replace any damaged clips.

Hood Weatherstrip Replacement

1. Remove the hood weatherstrip (A).



SFDBD7004L

2. Installation is the reverse of removal.

NOTICE

Replace any damaged clips.



دیجیتال خودرو
شرکت دیجیتال خودرو سامانه (مسئولیت محدود)

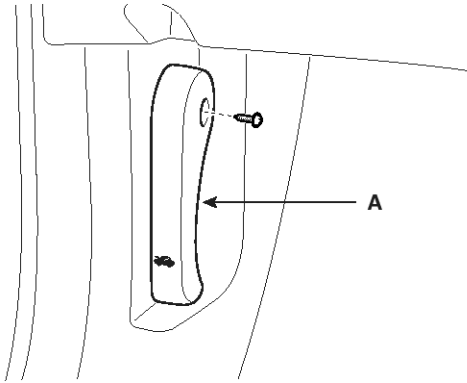
اولین سامانه دیجیتال تعمیرکاران خودرو در ایران

Exterior

BD-11

Hood Release Handle Replacement

1. After loosening the mounting screw, then remove the hood release handle (A).



SEDBD7003L

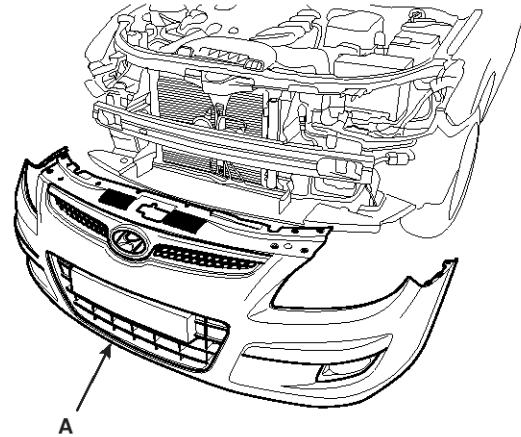
2. Installation is the reverse of removal.

NOTICE

- Make sure the hood latch cable is connected properly.
- Make sure the hood locks securely.

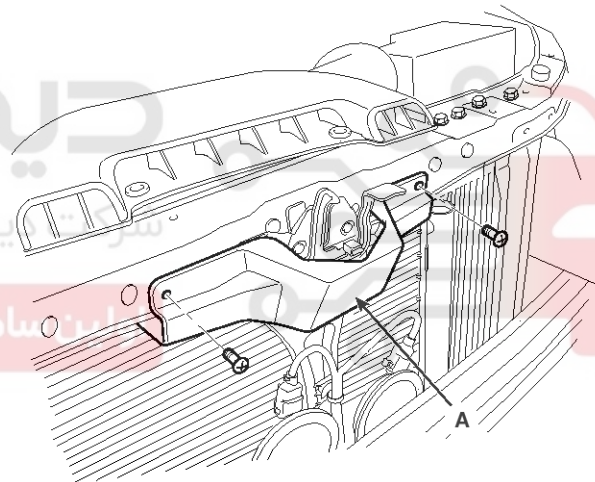
Hood Latch Replacement

1. Remove front bumper (A).



SFDBD7068L

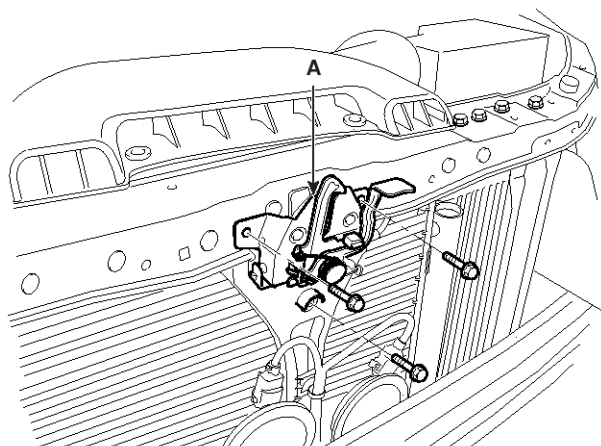
2. Loosen the bolts, then remove the hood latch cover(A).



SFDBD7005L

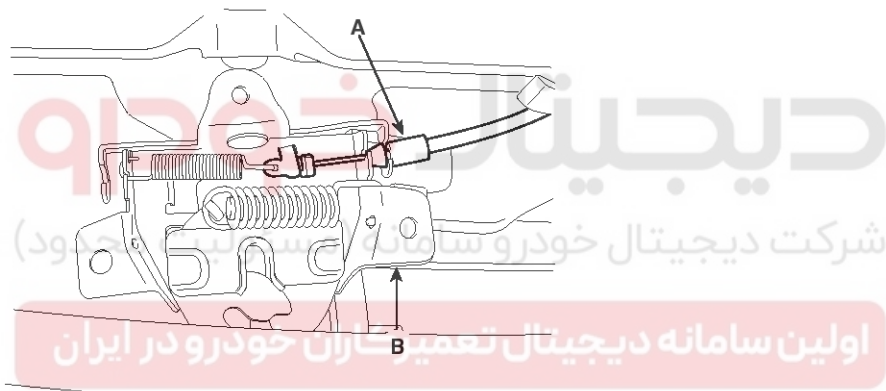
BD-12**Body (Interior and Exterior)**

3. Remove the hood latch (A) mounting bolts.



SFDBD7006L

4. Disconnect the hood latch cable (A) and remove the latch (B).



SEDBD7007L

5. Installation is the reverse of removal.

NOTICE

- Make sure the hood latch cable is connected properly.
- Make sure the hood locks securely.



Exterior

BD-13

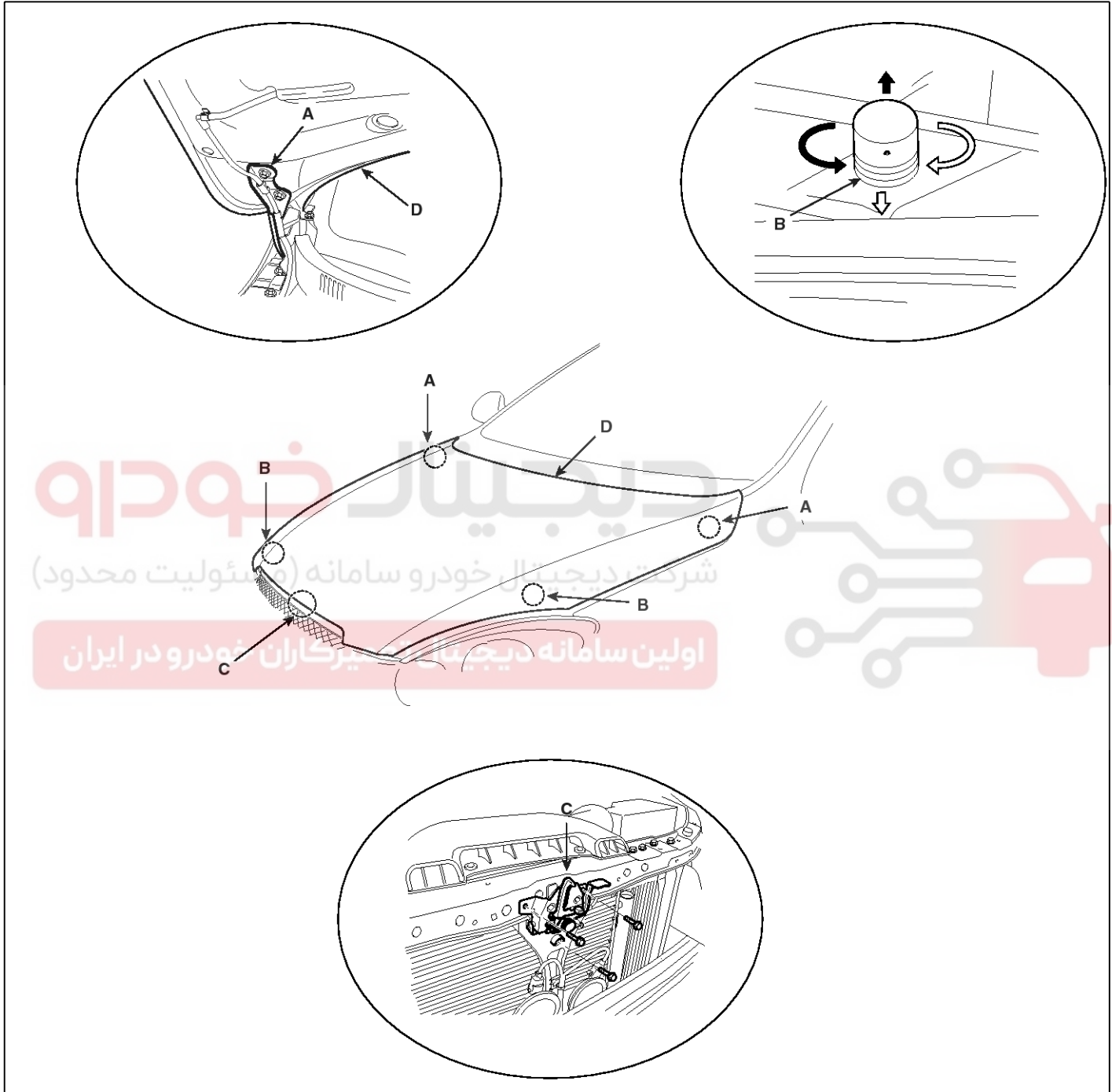
Adjustment

Adjust Hood

1. After loosening the hinge (A) mounting bolt, adjust the hood (D) by moving it up or down, or right or left.

2. Adjust the hood height by turning the hood overslam bumpers (B).

3. After loosening the hood latch (C) mounting bolts, adjust the latch by moving it up or down, or right or left.



SFDBD7008L

BD-14

Body (Interior and Exterior)

Tailgate

Replacement

Tailgate Trim Replacement

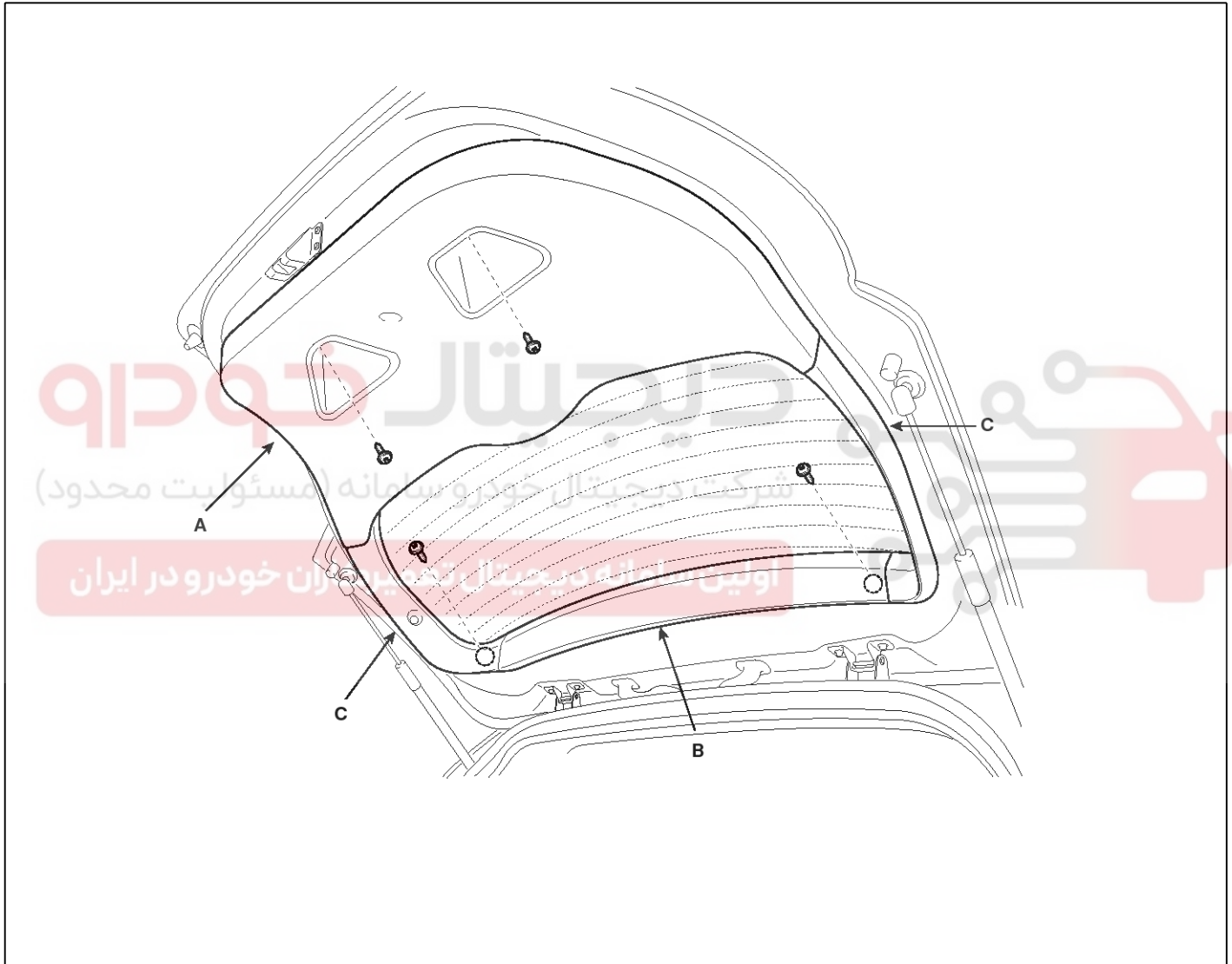
NOTICE

- When prying with a flat-tipped screwdriver, wrap it with protective tape, and apply protective tape around the related parts, to prevent damage.
- Put on gloves to protect your hands.

1. After loosening the screws the remove the tailgate trim (A).
2. Remove the upper trim (B) and side trim (C).
3. Installation is the reverse of removal.

NOTICE

- Replace and damaged clips.



SEDBD7009L

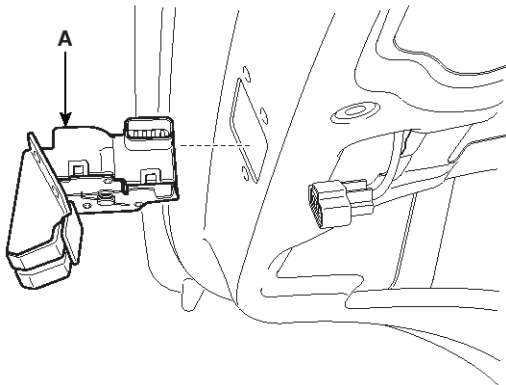
Exterior

BD-15

Latch Assembly Replacement

1. Remove the tailgate trim.
2. After loosening the mounting nuts, then remove the latch assembly (A).
3. Disconnect the connector.

Bolt, 0.7~1.1 kgf.m (6.9~10.8 N.m, 5.1~8.0 lbf.ft)



SEDBD7010L

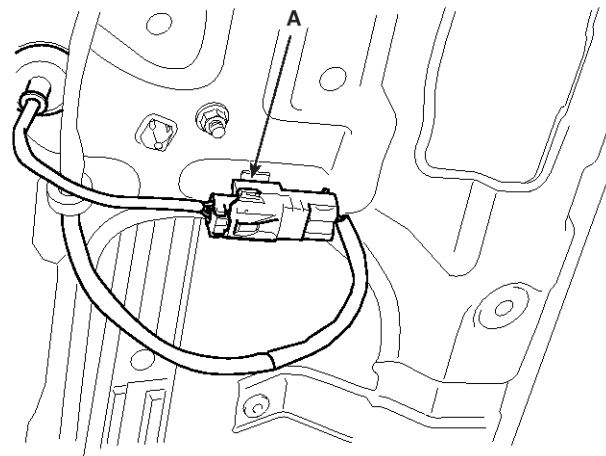
4. Installation is the reverse of removal.

NOTICE

- Make sure the connector is connected properly and the connecting rod is connected properly.
- Make sure the tailgate opens properly and locks securely.

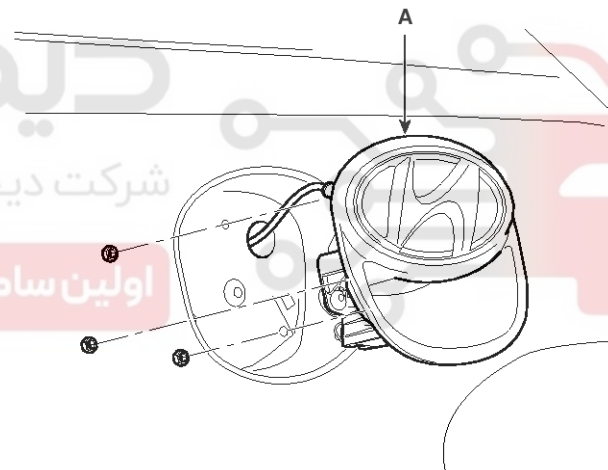
Outside Handle Replacement

1. Remove the tailgate trim.
2. Disconnect the connector (A).



SFDBD7009L

3. After loosening the tailgate garnish mounting nuts, then tailgate garnish (A).

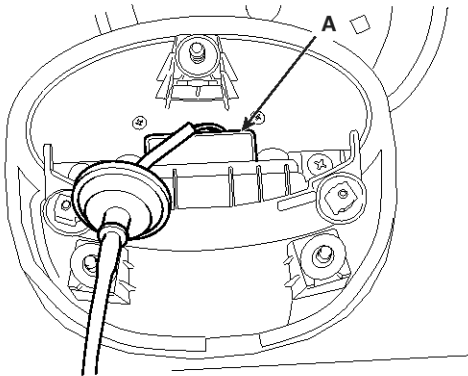


SFDBD7010L

BD-16

Body (Interior and Exterior)

4. Remove the outside handle (A).



SFDBD7011L

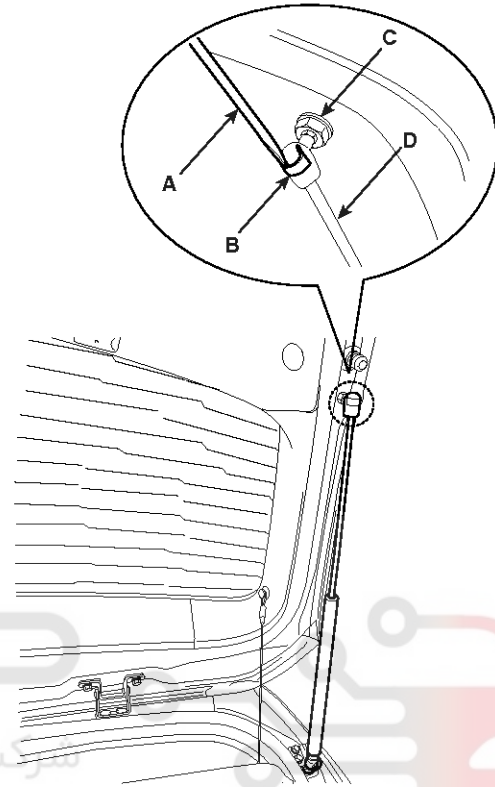
5. Installation is the reverse of removal.

NOTICE

- Make sure the tailgate opens properly and locks securely.

Lifter Replacement

1. Using a screwdriver (A), lift up slightly the socket clips (B) of both ends on the lifer (D), and then remove the lifter from the bracket (C).



SFDBD7012L

2. Push the socket of the lifter into the bracket for installation.

دیجیتال خودرو
شرکت دیجیتال خودرو سامانه (مسئولیت محدود)

اولین سامانه دیجیتال تعمیرکاران خودرو در ایران

Exterior

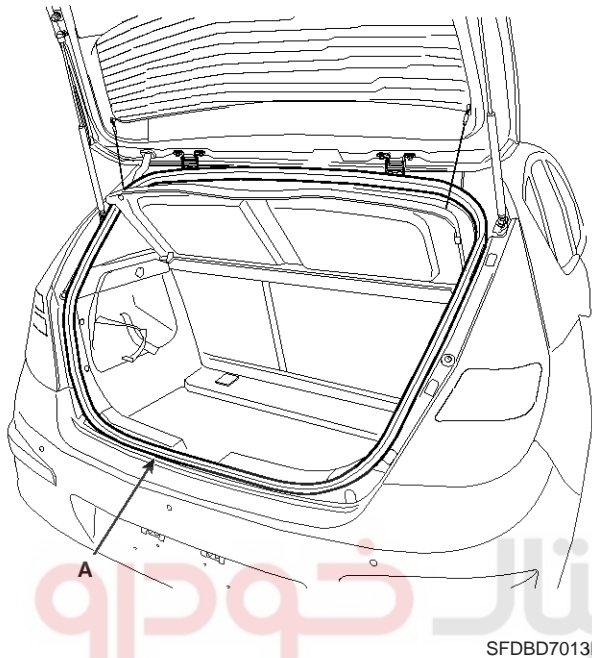
BD-17

Tailgate Weatherstrip Replacement

NOTICE

- Do not apply sealant to the body.

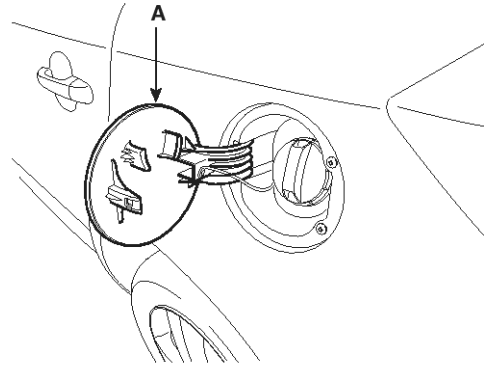
- Remove the tailgate weatherstrip (A).



- Installation is the reverse of removal.

Replacement

- Open the fuel door.
- Loosen the bolts, then remove the fuel filler door (A).



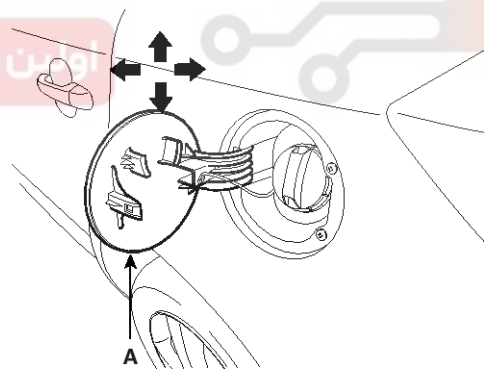
SEDBD7014L

- Installation is the reverse of removal.

NOTICE

- Make sure the fuel fill door opens properly and locks securely.

- Check that the fuel fill door (A) fit flush against the body. If necessary, adjust it.



SEDBD7512D

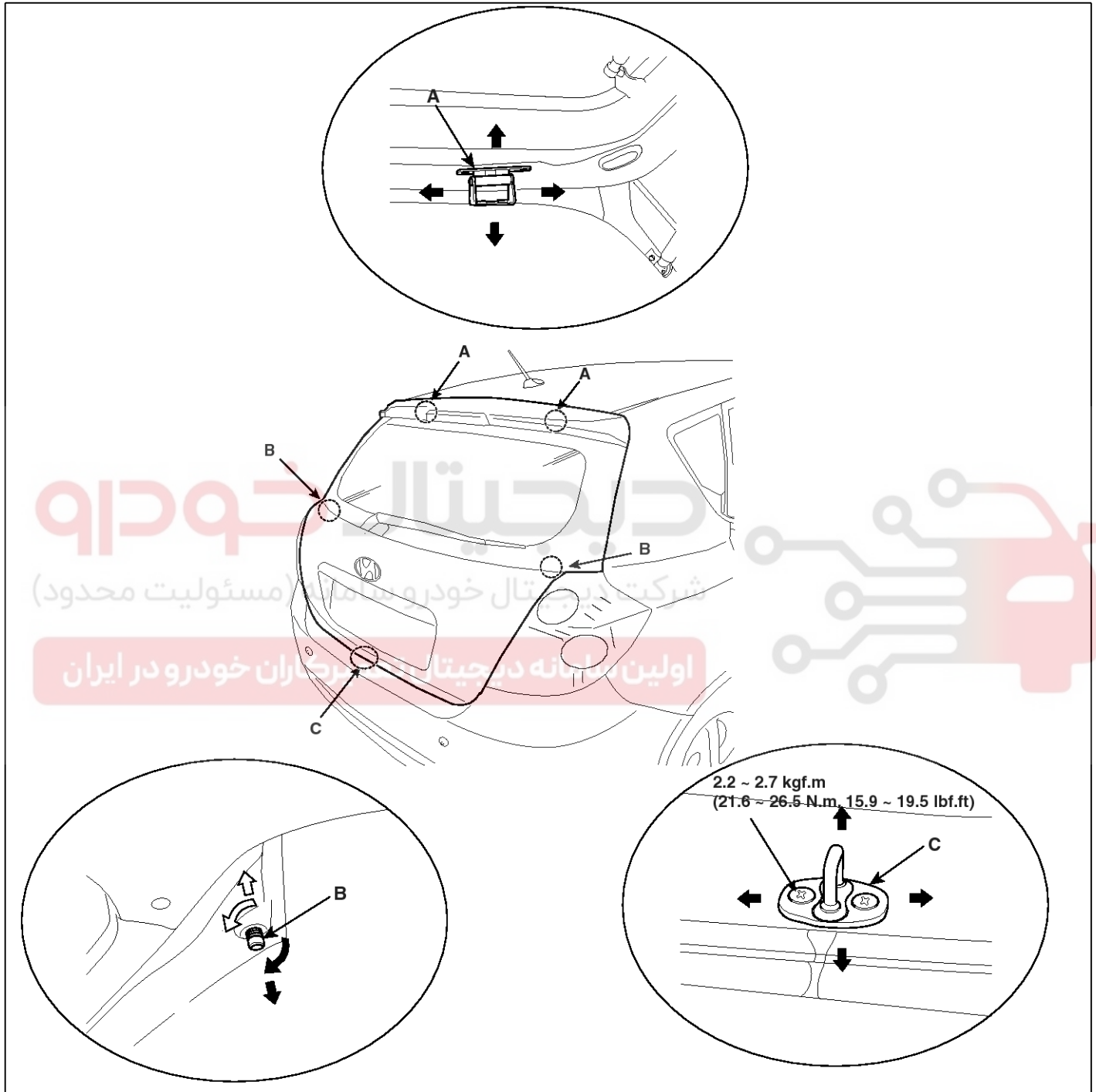
BD-18

Body (Interior and Exterior)

Adjustment

1. After loosening the tailgate hinge (A) mounting bolt, adjust the tailgate by moving it up or down, or right or left.

2. Adjust the tailgate fit by turning the tailgate over slam bumper and side bumper (B).
3. Adjust the striker (C) by moving it up or down, or right or left.



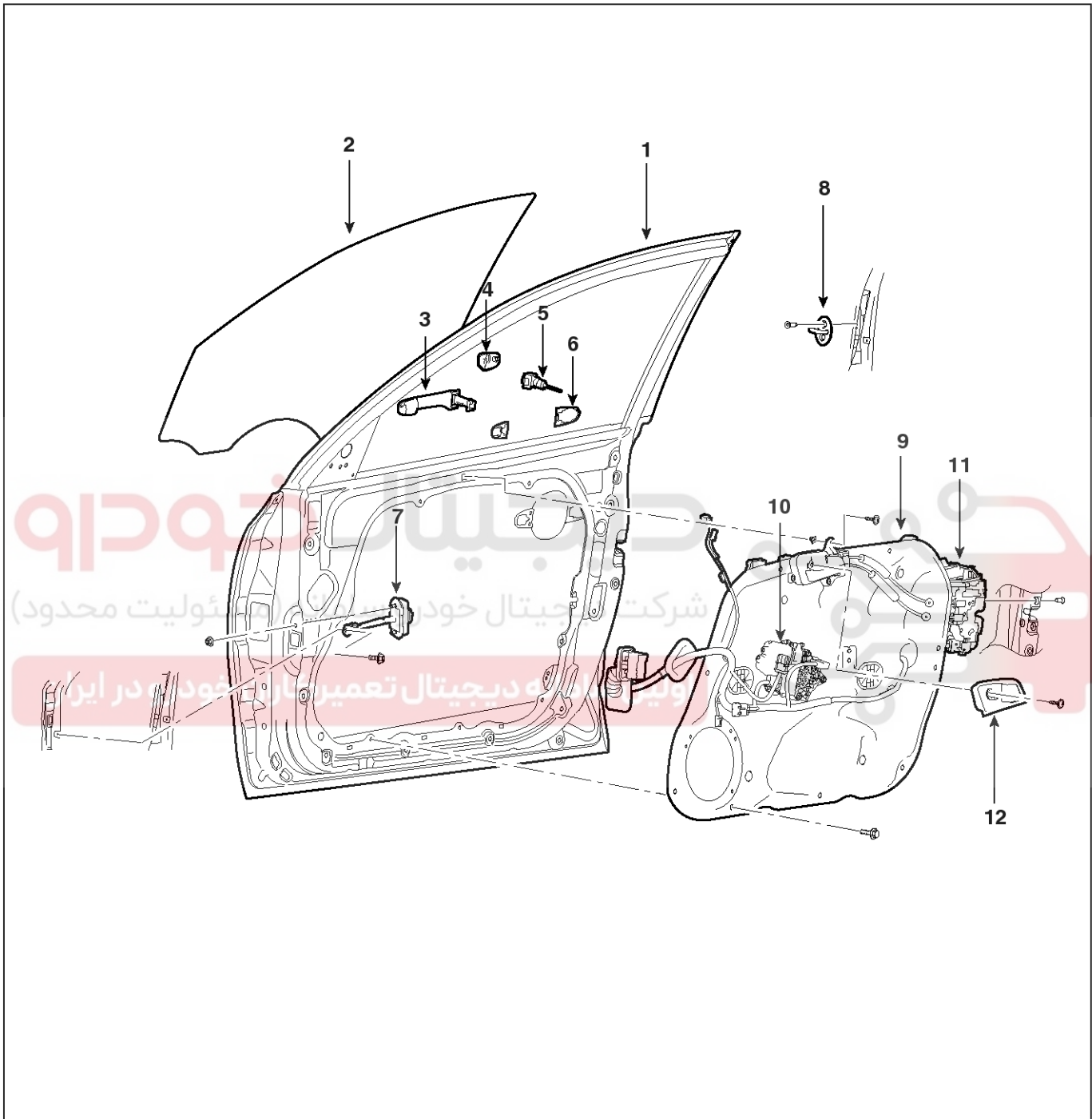
SFDBD7014L

Exterior

BD-19

Front Door

Components



- | | | |
|------------------------------|----------------------------|------------------------------|
| 1. Door panel | 5. Door rock | 9. Door module |
| 2. Grass | 6. Door outside handle pad | 10. Door motor |
| 3. Door handle | 7. Door Checker | 11. Door ratch |
| 4. Door outside handle cover | 8. Striker | 12. Door inside handle cover |

SFDBD8191L

BD-20

Body (Interior and Exterior)

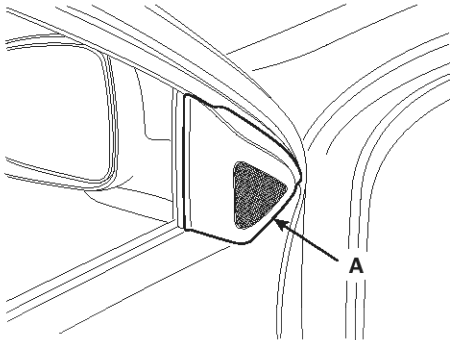
Replacements

Door Trim Replacement

NOTICE

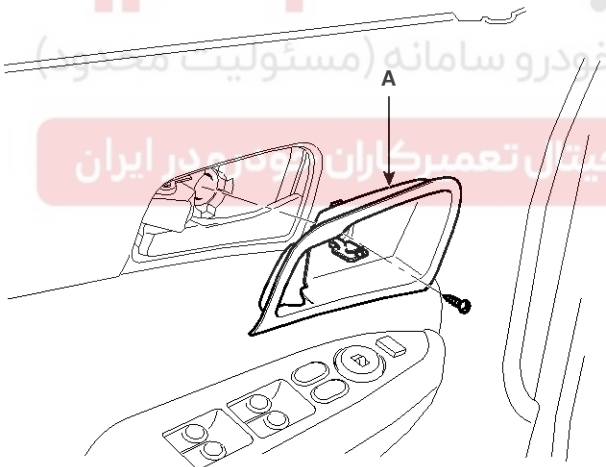
- Take care not to scratch the door trim and other parts.
- Put on gloves to protect your hands.

1. Remove the quadrant inner cover (A).



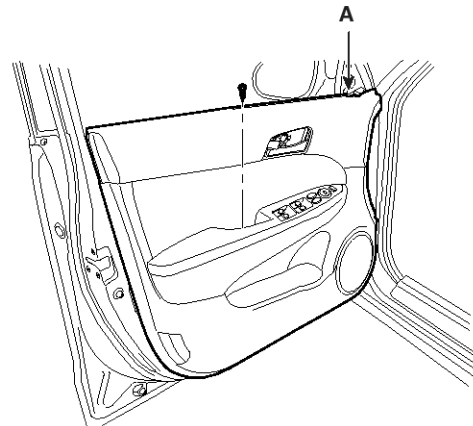
SEDBD7015L

2. Remove the quadrant inner cover (A).



SFDBD7015L

3. Loosen the door trim (A) mounting screws. Release the clips that hold the door trim, then remove the door trim by pulling it upward. Disconnect the power window switch connector, power mirror connector, and door courtesy lamp connector, trunk lid connector.



SFDBD7016L

4. Installation is the reverse of removal.

NOTICE

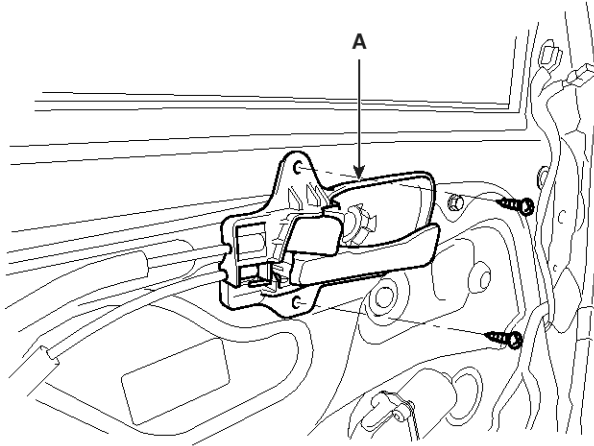
- Make sure of connectors is plugged in properly and each rod is connected securely.
- Make sure the door lock and opens properly.

Exterior

BD-21

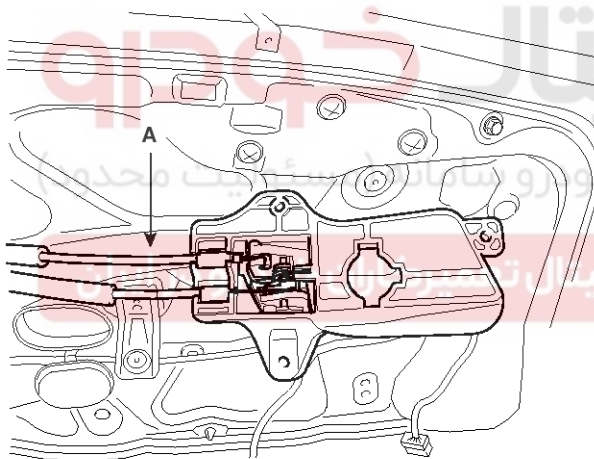
Inside Handle Replaement

1. Remove the door trim.
2. Loosen the door inside handle mounting screws, remove the door inside handle (A).



SFDBD7017L

3. Disconnect the cable (A).



SFDBD7018L

4. Installation is the reverse of removal.

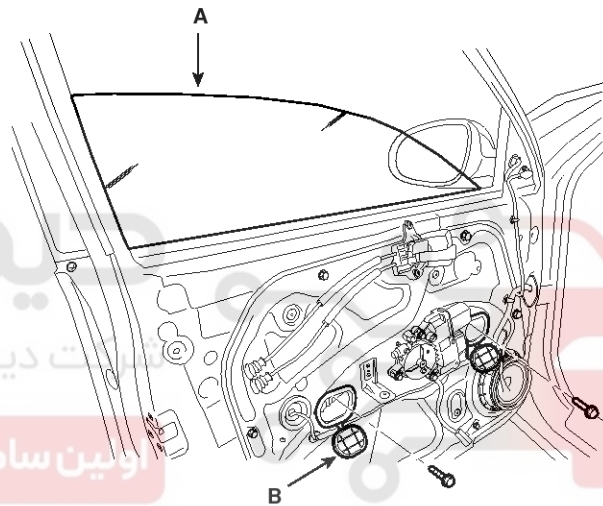
Glass Replacement

1. Remove the front door trim.
2. Remove the glass mounting hole plug (B).

NOTICE

- Using the door switch to align the mounting hole with the hole on the door glass.
- If it is impossible, align the hole with hands after removing the motor.
- Take care not to drop to glass and scratch the glass surface.

3. Carefully move the glass (A) until you can see thebolts, then loosen them. Separate the glass from the glass run and carefully pull the glass out through the window slot.



SFDBD7019L

4. Installation is the reverse of removal.

NOTICE

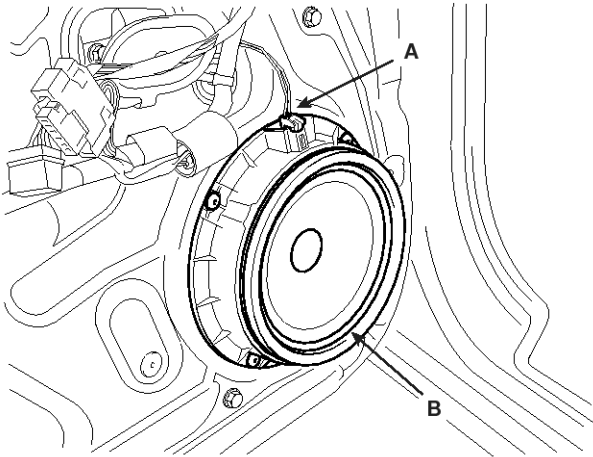
- Roll the glass up down to see if it move freely without binding.
- Adjust the position of the glass as necessary.

BD-22

Body (Interior and Exterior)

Speaker Replacement

1. Remove the door trim.
2. Drill out the rivets to remove the speaker (B) from the door module.
3. Disconnect the speaker connector (A).

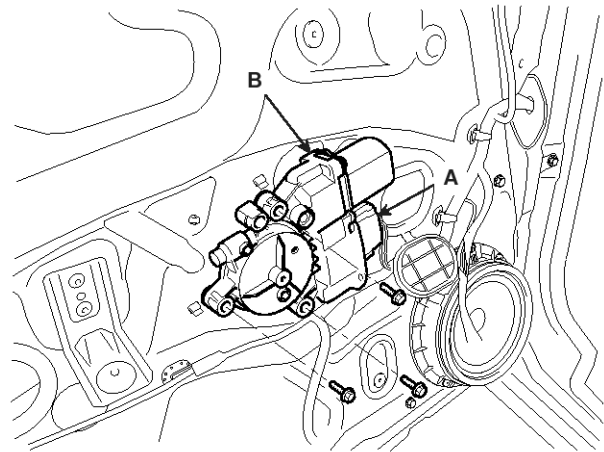


SFDBD7020L

4. Installation is the reverse of removal.
Use sheet metal screws to secure the speaker.

Power Window Motor Replacement

1. Remove the door trim .
2. After disconnecting the connector (A), remove the power window motor (B).



SFDBD7021L

3. Installation is the reverse of removal.

NOTICE

- The area of rotational parts and springs should be applied with sufficient grease.
- Roll the glass up down to see if it move freely without binding.

شرکت دیجیتال خودرو سامانه (مسئولیت محدود)

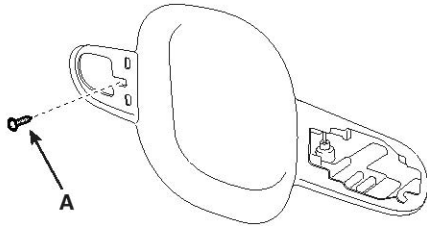
اولین سامانه دیجیتال تعمیرکاران خودرو در ایران

Exterior

BD-23

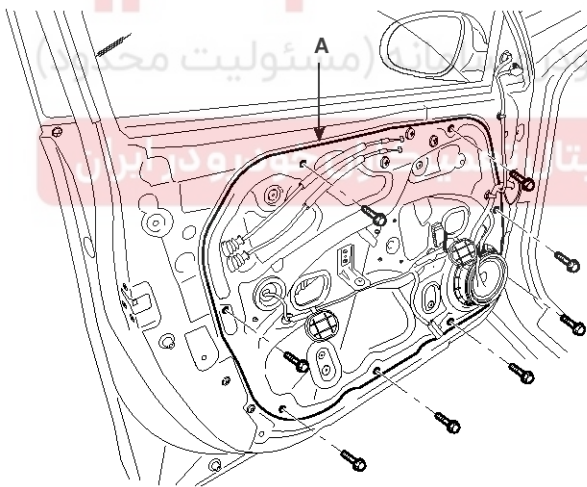
Door Module Assembly Replacement

1. Remove the following parts.
 - Door trim.
 - Glass.
 - Outside handle.
2. Loosen the mounting screw (A).



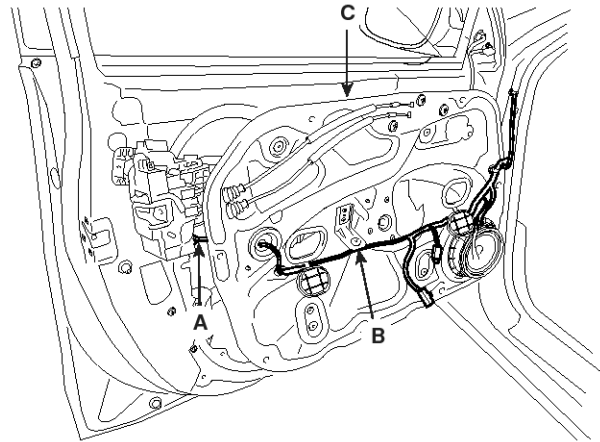
SEDBD7021L

3. Loosen the door module mounting bolts, then remove the door module (A).



SFDBD7022L

4. Disconnect the connector (A).
5. Disconnect the door module wiring harness (B), then remove the module assembly (C).



SFDBD7023L

6. Installation is the reverse of removal.

NOTICE

- The area of whole parts should be applied with sufficient grease.
- Make sure the connector is plugged in properly and each rod is connected securely.
- Make sure the door lock and open properly.

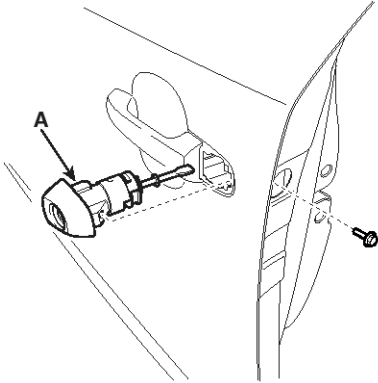
BD-24

Body (Interior and Exterior)

Out Side Handle Replacement

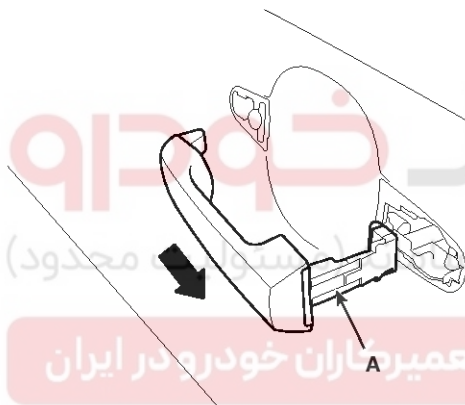
1. After loosening the mounting bolt, then remove the key holder (A).

* Bolt, 0.07~0.1 kgf.m (0.7~1.0 N.m. 0.5~0.7 lbf.ft)



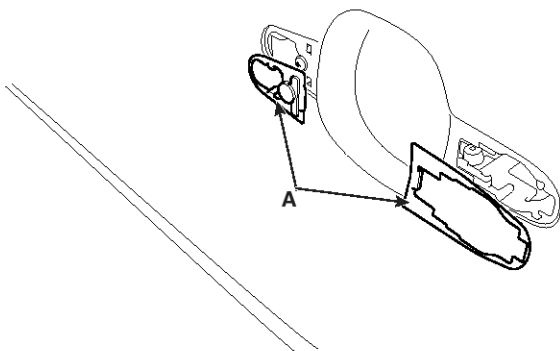
SEDBD7024L

2. Remove the outside handle (A) by sliding it rearward.



SHDBD6026D

3. Remove the outside handle pad (A).



SHDBD6027D

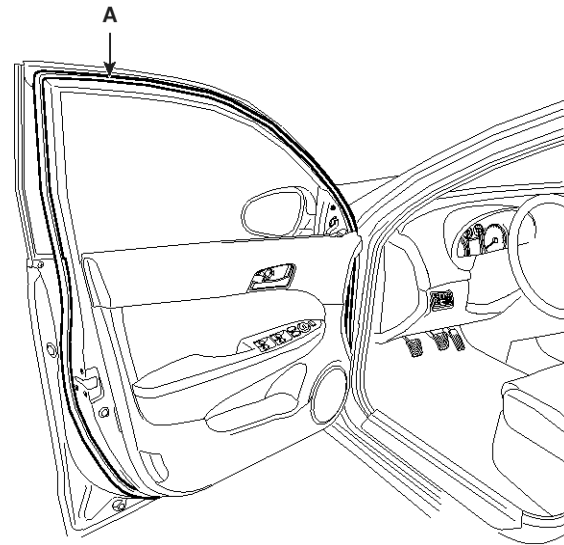
4. Installation is the reverse of removal.

NOTICE

- Make sure the door lock and open properly

Door Weatherstrip Replacement

1. Loosen the checker mounting bolts.
2. Detach the clips, then remove the weatherstrip(A).



SFDBD7024L

3. Installation is the reverse of removal.

Exterior

BD-25

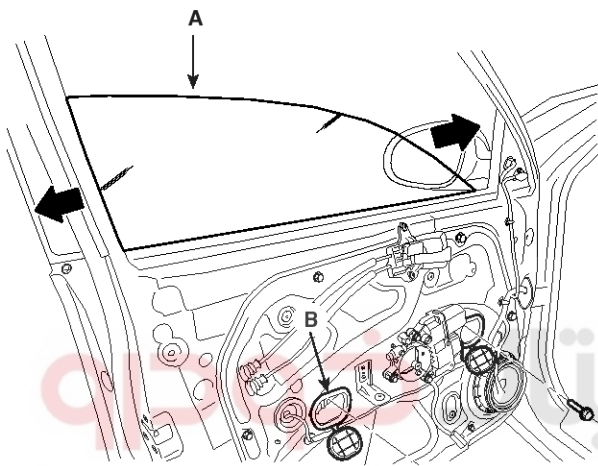
Adjustment

Glass Adjustment

NOTICE

- Check the glass run channel for damage or deterioration, and replace them necessary.

1. Remove the following parts.
 - Quadrant inner cover.
 - Door trim.
2. Carefully move the glass (A) until you can see the glass mounting bolts (B), then loosen them.



SFDBD7204L

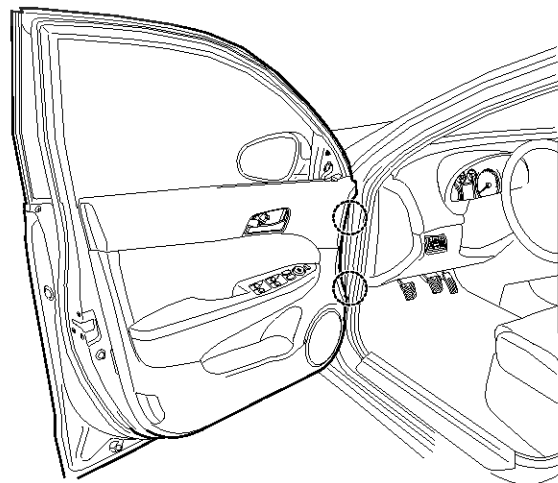
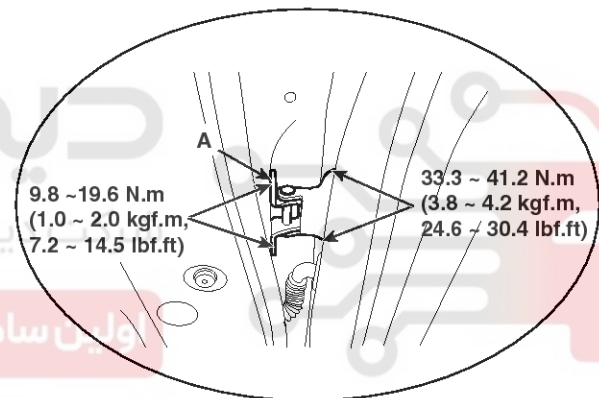
3. Check that the glass moves smoothly.
4. Raise the glass fully, and check for gaps. Check that the glass contacts the glass run channel evenly.
5. Check for water leaks. Run water over the roof and on the sealing area as shown, and note these items:
 - Use a 12mm (1/2in.) diameter hose.
 - Adjust the rate of water flow as shown.
 - Do not use a nozzle.
 - Hold the hose about 300mm(12in.) away from the door.

Door Position Adjustment

NOTICE

- After installing the door, check for a flush fit with the body, then check for equal gaps between the front, Rear, and bottom, door edges and the body. Check that the door and body edges are parallel. Before adjusting, replace the mounting bolts.

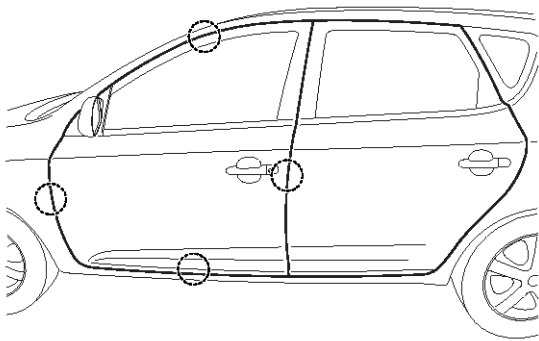
1. Place the vehicle on a firm, level surface when adjusting the doors.
2. Adjust at the hinges (A):
 - Loosen the door mounting bolts slightly, and move the door IN or OUT until it aligns flush with the body.
 - Loosen the hinge mounting bolts slightly, and move the door BACKWARD or FORWARD, UP or DOWN as necessary to equalize the gaps.
 - Place a shop towel on the jack to prevent damage to the door when adjusting the door.



SFDBD7200L

BD-26**Body (Interior and Exterior)**

3. Check that the door and body edges are parallel.



SEDBD7103L

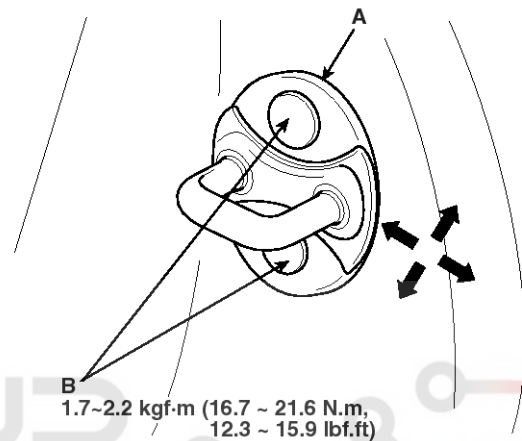
4. Grease the pivot portions of the hinges indicated by the arrows.
5. Check for water leaks.

Door Striker Adjustment

Make sure the door latches securely without slamming it. If necessary adjust the striker (A): The striker nuts are fixed.

The striker can be fine adjusted up or down, and in or out.

1. Loosen the screws (B), then insert a shop towel between the body and striker.



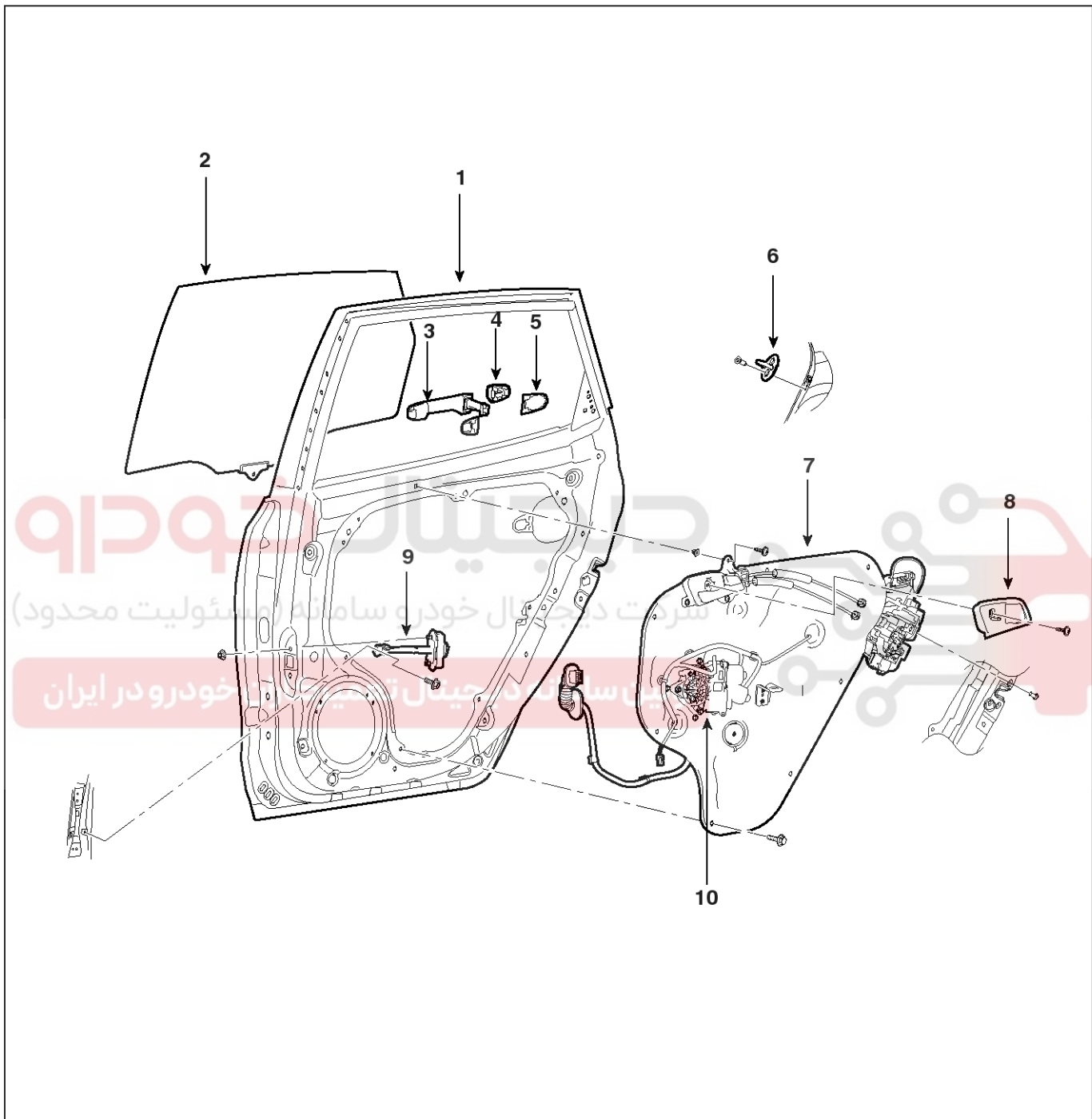
KSQE003P

2. Lightly tighten the screws.
3. Wrap the striker with a shop towel, then adjust the striker by tapping it with a plastic hammer. Do not tap the striker too hard.
4. Loosen the screws and remove the shop towel.
5. Lightly tighten the screws.
6. Hold the outer handle out, and push the door against the body to be sure the striker allows a flush fit. If the door latches properly, tighten the screws and recheck.

Exterior

BD-27

Rear Door Components

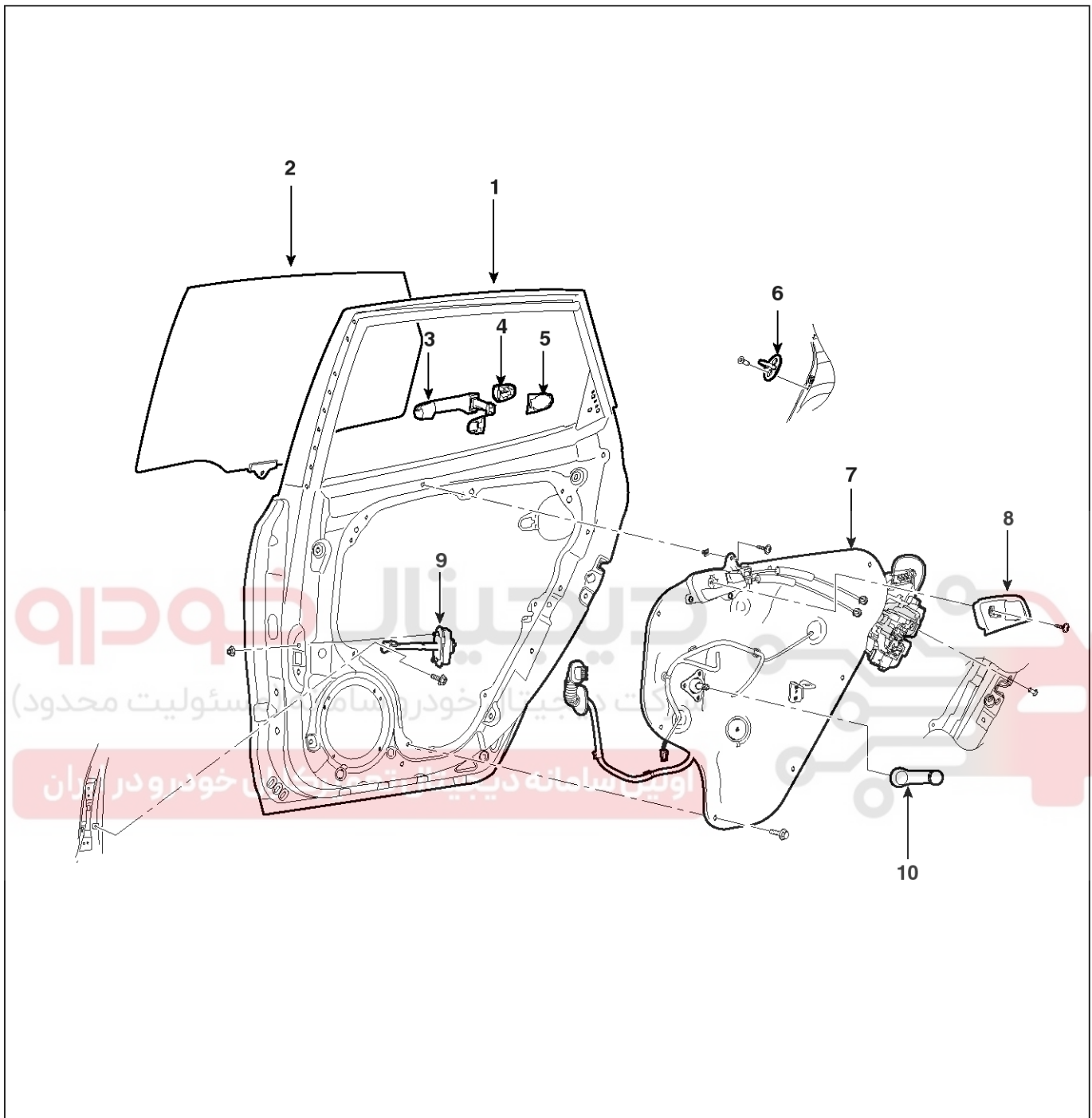


- | | |
|------------------------------|-----------------------------|
| 1. Door panel | 5. Door outside handle pad |
| 2. Grass | 6. Striker |
| 3. Door handle | 7. Door module |
| 4. Door outside handle cover | 8. Door inside handle cover |

SFDBD8192L

BD-28

Body (Interior and Exterior)



- | | |
|------------------------------|-----------------------------|
| 1. Door panel | 5. Door outside handle pad |
| 2. Grass | 6. Striker |
| 3. Door handle | 7. Door module |
| 4. Door outside handle cover | 8. Door inside handle cover |
| | 10. |

SFDBD8199L

Exterior

BD-29

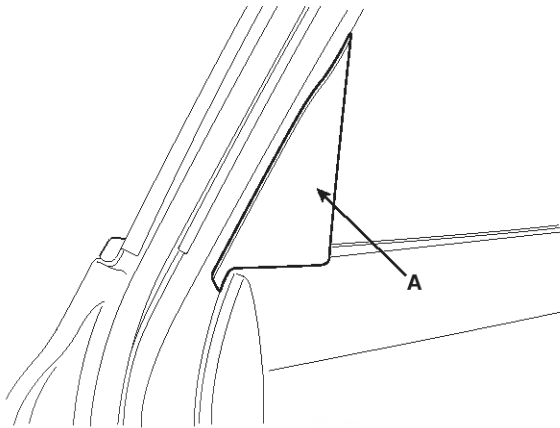
Replacement

Door Trim Replacement

NOTICE

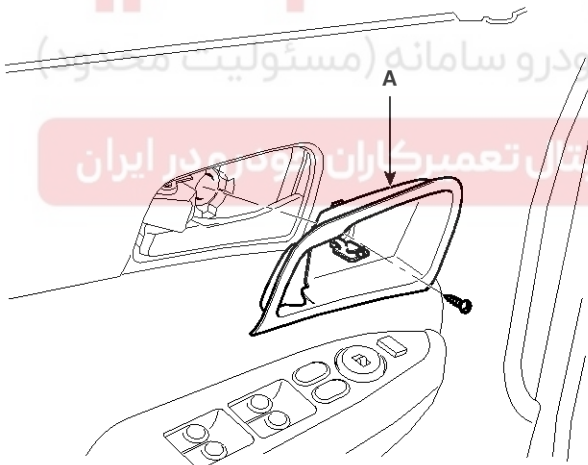
- Take care not to scratch the door trim and other parts.
- Put on gloves to protect your hands.

1. Remove the delta inner cover (A).



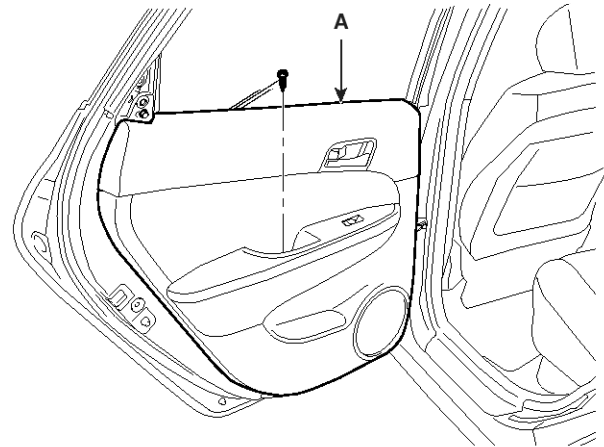
SEDBD7025L

2. Remove the quadrant inner cover (A).



SFDBD7015L

3. Loosen the door trim (A) mounting screws. release the clips that hold the door trim, then remove the door trim by pulling it upward. disconnect the power window switch connector.



SFDBD7025L

4. Installation is the reverse of removal.

NOTICE

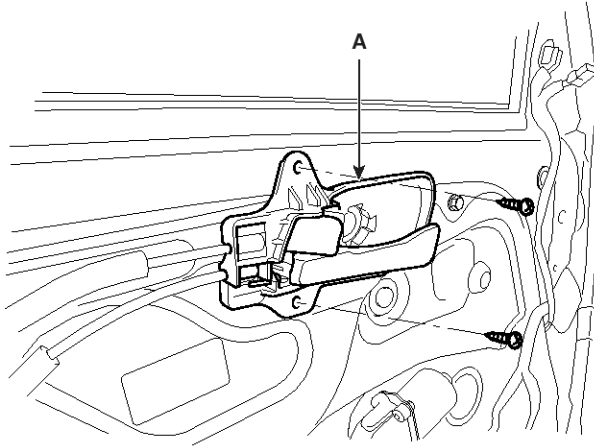
- Make sure of connectors is plugged in properly and each rod is connected securely.
- Make sure the door lock and opens properly.

BD-30

Body (Interior and Exterior)

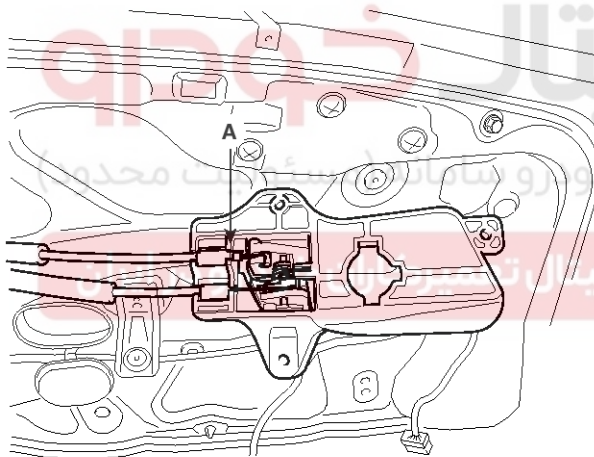
Inside Handel Replacement

1. Remove the door trim.
2. Loosen the door inside handle mounting screws, remove the door inside handle (A).



SFDBD7017L

3. Disconnect the cable (A).



SFDBD7205L

4. Installation is the reverse of removal.

Glass Replacement

NOTICE

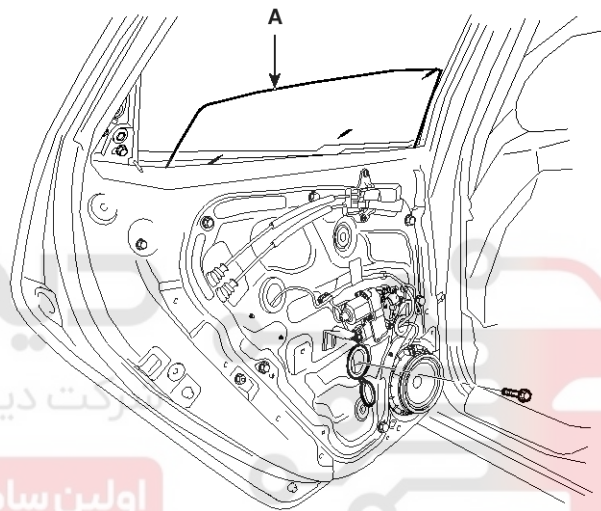
- Put on gloves to protect your hands.

1. Remove the door trim.
2. Remove the door belt weatherstrip.
3. Release the rear channel mounting bolt and nut.

CAUTION

- Take care not to drop to glass and scratch the glass surface.

4. Carefully move the glass (A) until you can see the bolts, then loosen them. Separate the glass from the glass run and carefully pull the glass out through the window slot.



SFDBD7026L

5. Installation is the reverse of removal.

NOTICE

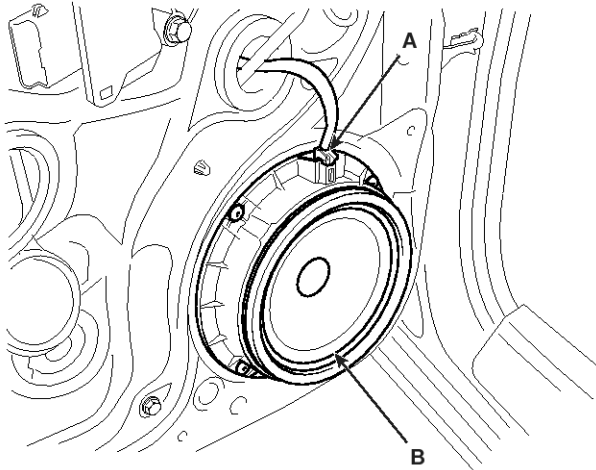
- Roll the glass up down to see if it move freely without binding.
- Adjust the position of the glass as necessary.

Exterior

BD-31

Speaker Replacement

1. Remove the door trim.
2. Drill out the rivets to remove the speaker (B) from the door module.
3. Disconnect the speaker connector (A).

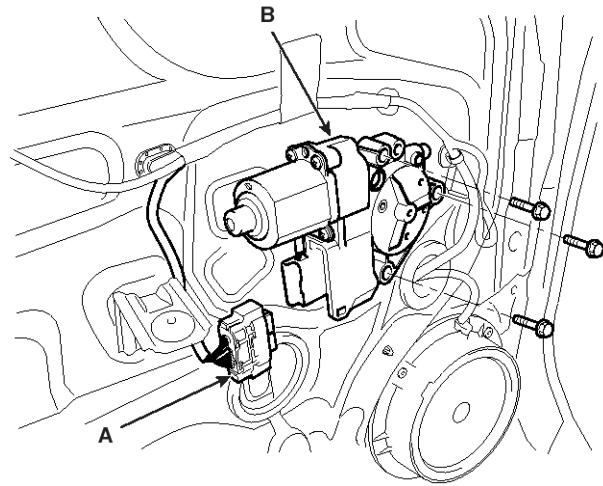


SFDBD7027L

4. Installation is the reverse of removal.
Use sheet metal screws to secure the speaker.

Power Window Motor Replacement

1. Remove the door trim.
2. After disconnecting the connector (A), remove the power window motor (B).



SFDBD7028L

3. Installation is the reverse of removal.

NOTICE

- The area of rotational parts and springs should be applied with sufficient grease.
- Roll the glass up down to see if it move freely without binding.

اولین سامانه دیجیتال خودرو (مسئولیت محدود)

اولین سامانه دیجیتال تعمیرکاران خودرو در ایران

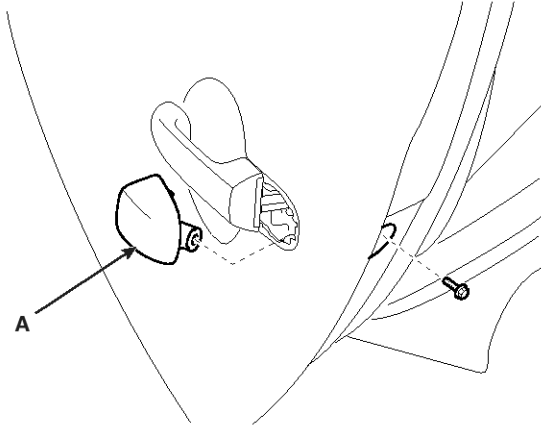
BD-32

Body (Interior and Exterior)

Out Side Handle Replacement

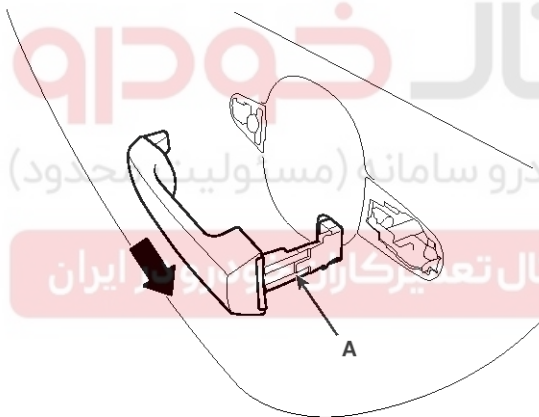
1. After loosening the mounting bolt, then remove the handle cover (A).

Bolt, 0.7~1.1 kgf.m (6.9~10.8 N.m, 5.1~8.0 lbf.ft)



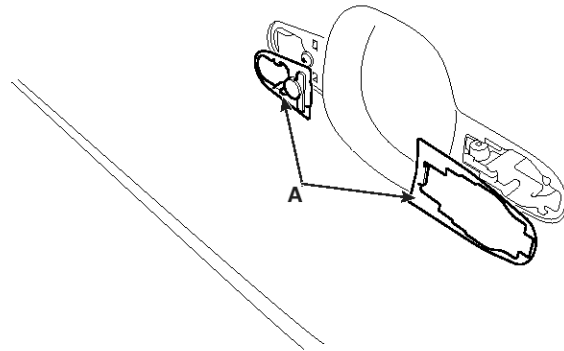
SEDBD7514L

2. Remove the outside handle (A) by sliding it rearward.



SHDBD6037D

3. Remove the outside handle pad (A).



SHDBD6027D

4. Installation is the reverse of removal.

NOTICE

- Make sure the door lock and open properly.

Exterior

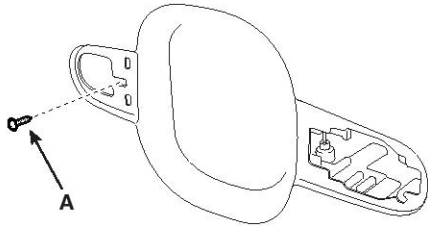
BD-33

Module Assembly Replacement

1. Remove the following parts.

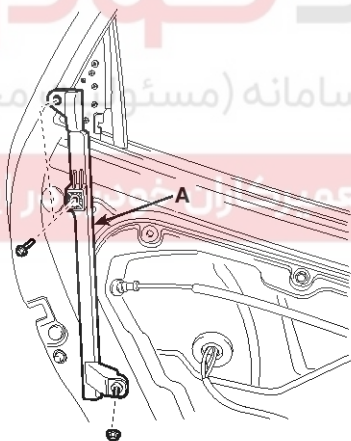
- Door trim.
- Window glass.
- Outside handle.

2. Loosen the mounting screw (A).



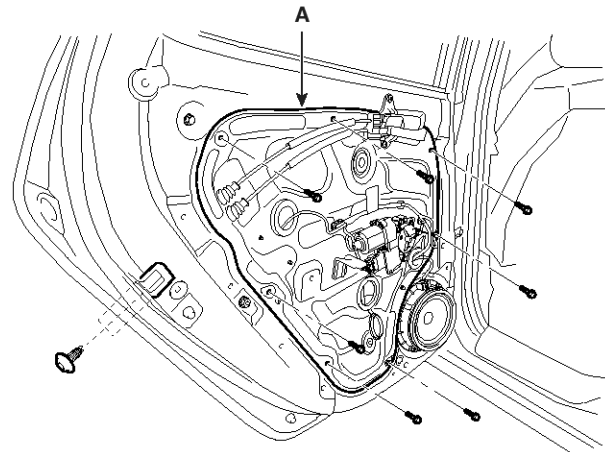
SEDBD7021L

3. Remove the rear channel (A).



SEDBD7031L

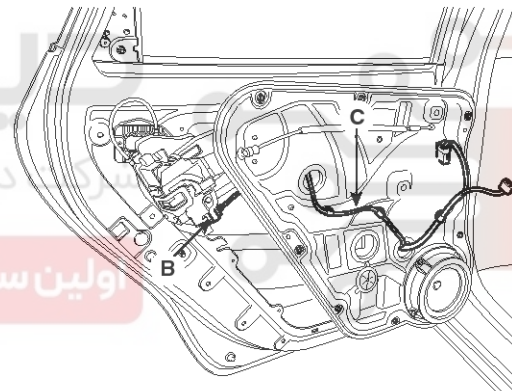
4. After loosening the door module mounting bolts, remove the door module (A).



SFDBD7029L

5. Disconnect the connector (B).

6. Detach the clips, then remove the wiring harness (C).



SEDBD7030L

7. Installation is the reverse of removal.

NOTICE

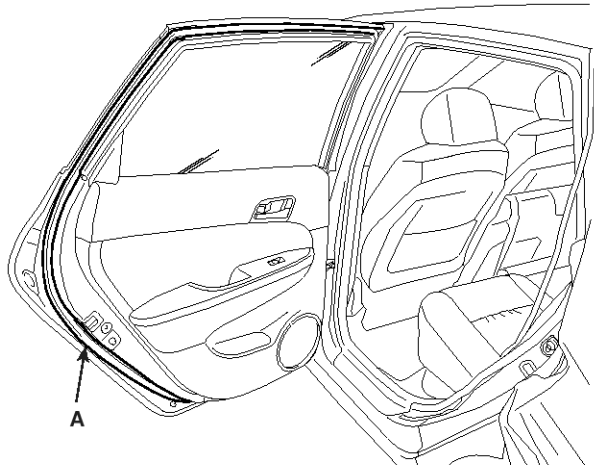
- The area of whole parts should be applied with sufficient grease.
- Make sure the connector is plugged in properly and each rod is connected securely.
- Make sure the door lock and open properly.

BD-34

Body (Interior and Exterior)

Door Weatherstrip Replacement

1. Loosen the checker mounting bolts.
2. Detach the clips, then remove the weatherstrip(A).



SFDBD7030L

3. Installation is the reverse the removal.

دیجیتال خودرو

شرکت دیجیتال خودرو سامانه (مسئولیت محدود)

اولین سامانه دیجیتال تعمیرکاران خودرو در ایران



Exterior

BD-35

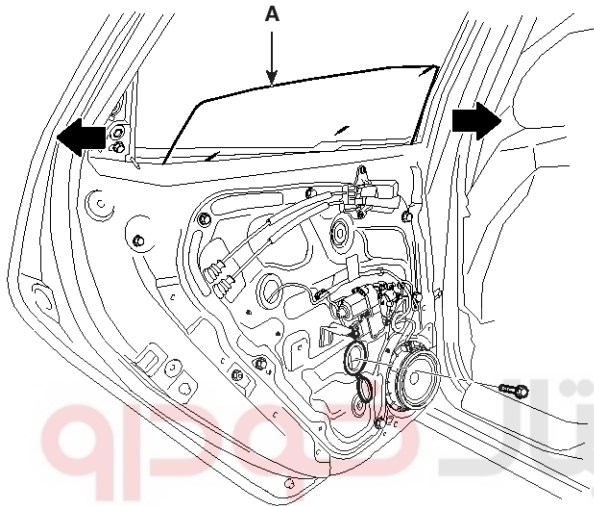
Adjustment

Glass Adjustment

NOTICE

- Check the glass run channel for damage or deterioration, and replace them necessary.

1. Remove the following parts.
 - Door trim.
2. Carefully move the glass (A) until you can see the glass mounting bolts, then loosen them.



SFDBD7206L

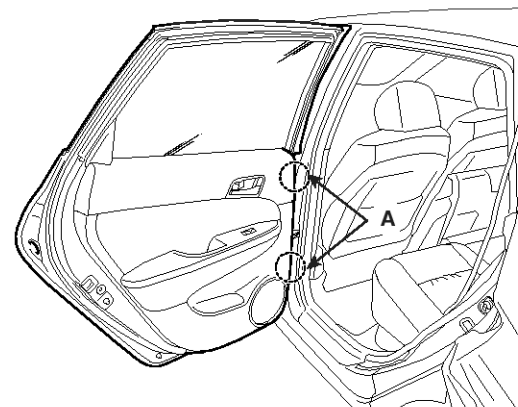
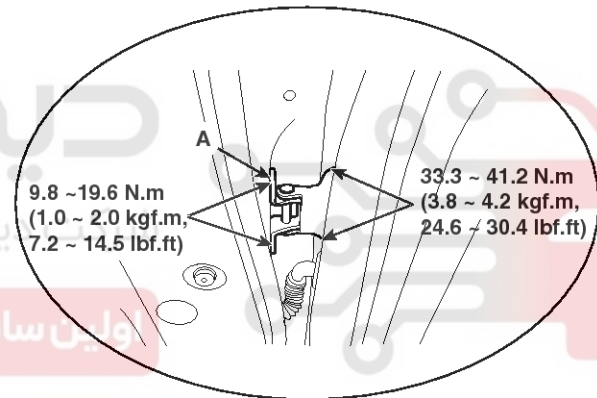
3. Push the glass against the channel, then tighten the glass mounting bolts.
4. Check that the glass moves smoothly.
5. Raise the glass fully, and check for gaps. Check that the glass contacts the glass run channel evenly.
6. Check for water leaks. Run water over the roof and on the sealing area as shown, and note these items:
 - Use a 12mm (1/2in.) diameter hose.
 - Adjust the rate of water flow as shown.
 - Do not use a nozzle.
 - Hold the hose about 300mm(12in.) away from the door.

Door Position Adjustment

NOTICE

- After installing the door, check for a flush fit with the body, then check for equal gaps between the front, Rear, and bottom, door edges and the body. Check that the door and body edges are parallel. Before adjusting, replace the mounting bolts.

1. Place the vehicle on a firm, level surface when adjusting the doors.
2. Adjust at the hinges (A):
 - Loosen the door mounting bolts slightly, and move the door IN or OUT until it aligns flush with the body.
 - Loosen the hinge mounting bolts slightly, and move the door BACKWARD or FORWARD, UP or DOWN as necessary to equalize the gaps.
 - Place a shop towel on the jack to prevent damage to the door when adjusting the door.

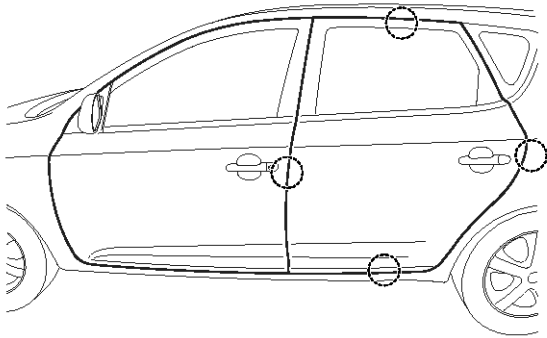


SFDBD7201L

BD-36

Body (Interior and Exterior)

3. Check that the door and body edges are parallel.



SEDBD7513D

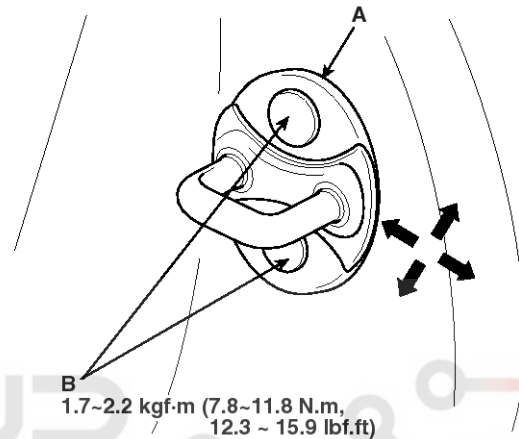
4. Grease the pivot portions of the hinges indicated by the arrows.
5. Check for water leaks.

Door Striker Adjustment

Make sure the door latches securely without slamming it. If necessary adjust the striker (A): The striker nuts are fixed.

The striker can be fine adjusted up or down, and in or out.

1. Loosen the screws (B), then insert a shop towel between the body and striker.



SEDBD7908L

2. Lightly tighten the screws.
3. Wrap the striker with a shop towel, then adjust the striker by tapping it with a plastic hammer. Do not tap the striker too hard.
4. Loosen the screws and remove the shop towel.
5. Lightly tighten the screws.
6. Hold the outer handle out, and push the door against the body to be sure the striker allows a flush fit. If the door latches properly, tighten the screws and recheck.

Exterior

BD-37

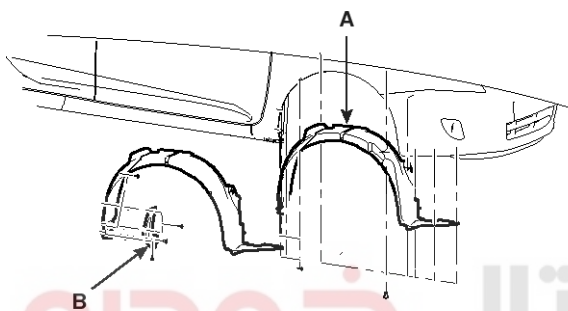
Body Side Moldings

Replacement

Front Mud Guard And Wheel Guard

NOTICE

- When prying with a flat-tip screwdriver, wrap it with protective tape, and apply protective tape around the related parts, to prevent damage.
 - Put on gloves to protect your hands.
 - Take care not to scratch the body surface.
1. Remove the wheel guard (A) and mud guard (B).



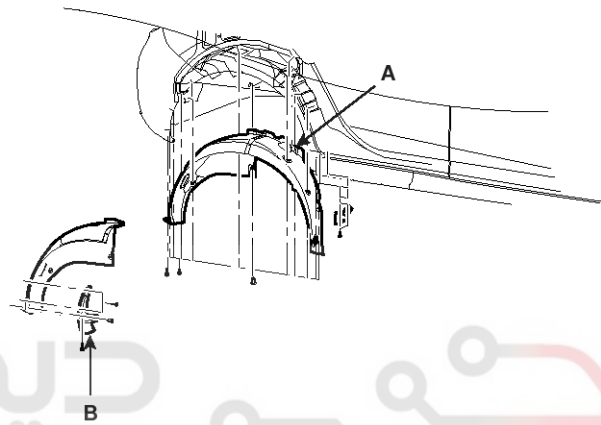
SEDBD7118L

2. Installation is the reverse of removal.

Rear Mud Guard And Wheel Guard

NOTICE

- When prying with a flat-tip screwdriver, wrap it with protective tape, and apply protective tape around the related parts, to prevent damage.
 - Put on gloves to protect your hands.
 - Take care not to scratch the body surface.
1. Remove the wheel guard (A) and mud guard (B).

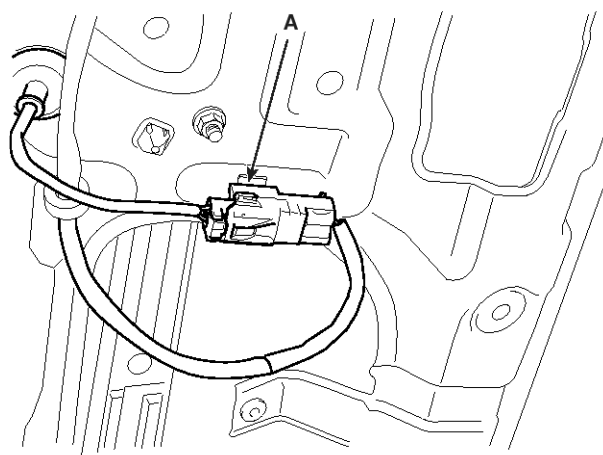


SEDBD7906L

2. Installation is the reverse of removal.

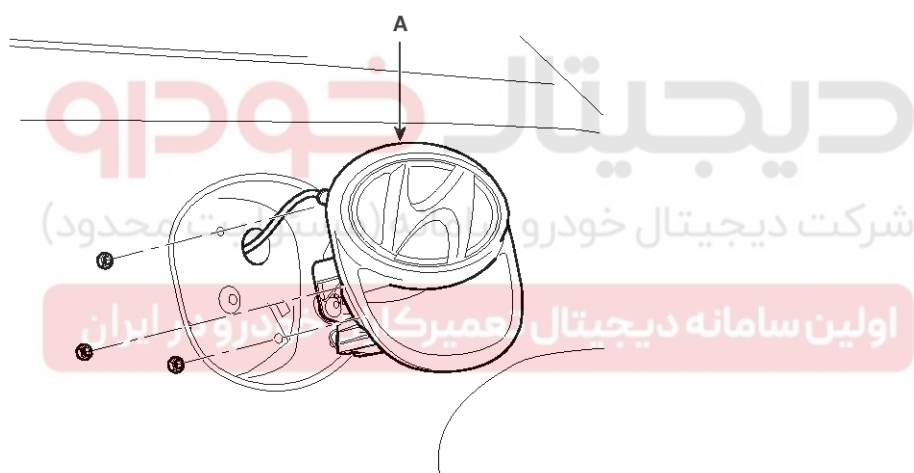
BD-38**Body (Interior and Exterior)****Tailgate Garnish Replacement**

1. Remove the tailgate trim.
2. Disconnect the connector (A).



SFDBD7009L

3. Remove the tailgate garnish (A).



SFDBD7010L

4. Installation is the reverse of removal.

Exterior

BD-39

Mirror

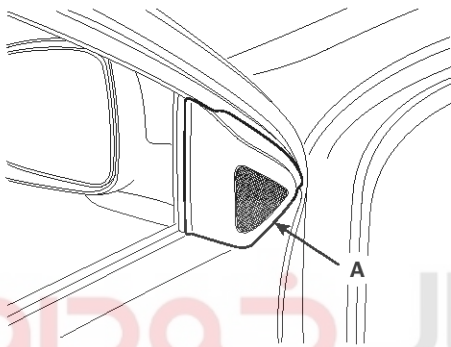
Replacement

Outside Rear View Mirror Replacement

NOTICE

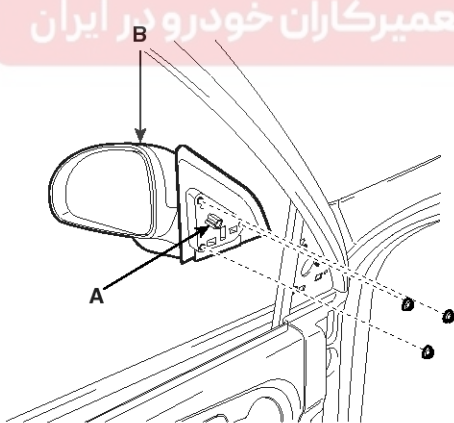
- When prying with a flat-up screwdriver, wrap it with protective tape, and apply protective tape around the related parts, to prevent damage.
- Put on gloves to protect your hands.

1. Remove the quadrant inner cover (A).



SEDBD7015L

2. After disconnecting the connector (A), remove the outside rear view mirror (B).

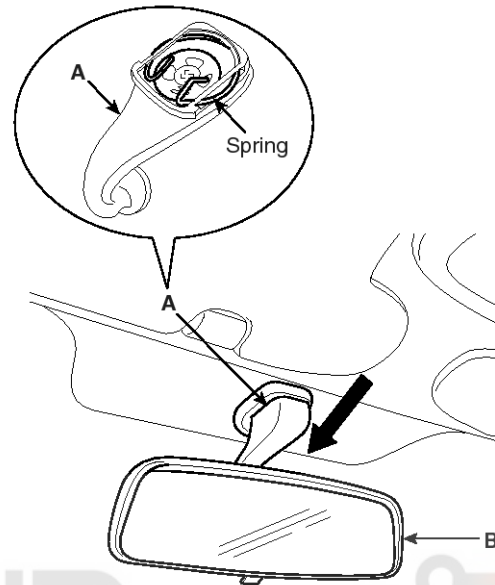


SEDBD7033L

3. Installation is the reverse of removal.

Inside Rear View Mirror Replacement

1. Push the inside rear view mirror base (A) down to remove to inside rear view mirror assembly (B).



ESBF180D

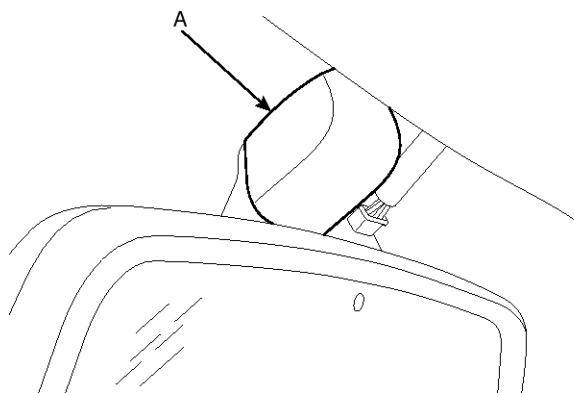
2. Installation is the reverse of removal.

BD-40

Body (Interior and Exterior)

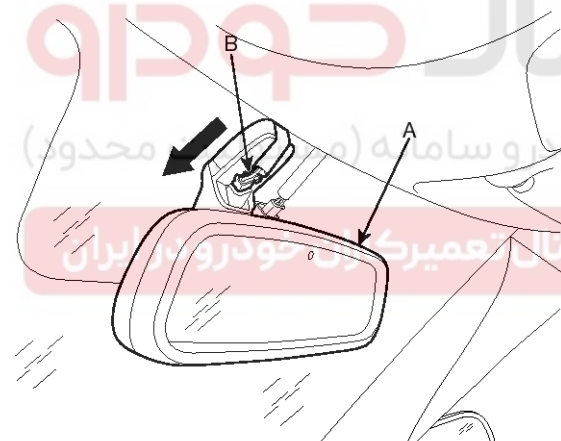
ECM Mirror Replacement

1. Gently detach the hook, then remove the ECM mirror cover (A).



KSBF183A

2. Disconnect the connector (B).
3. Push the ECM mirror base down to remove the ECM mirror assembly (A).



KSBF180E

4. Installation is the reverse of removal.



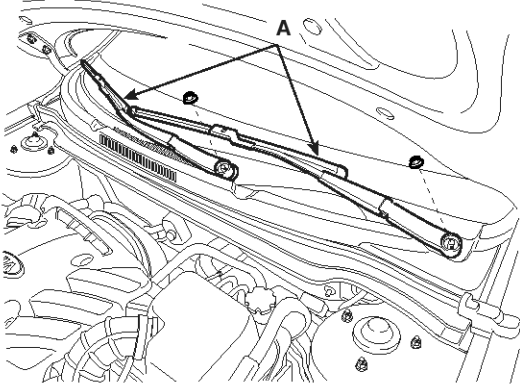
Exterior

BD-41

Cowl Top Cover

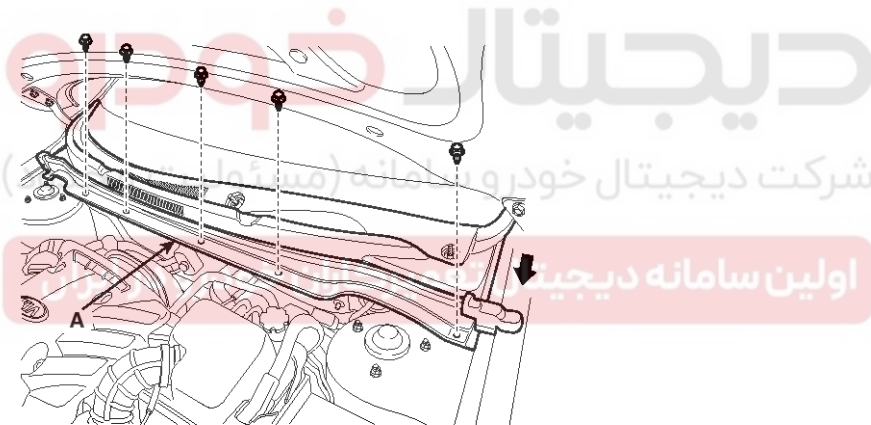
Replacement

1. Remove the wiper (A).



SEDBD7065L

2. Detach the clips, then remove the cowl top cover (A).



SEDBD7066L

3. Installation is the reverse of removal.



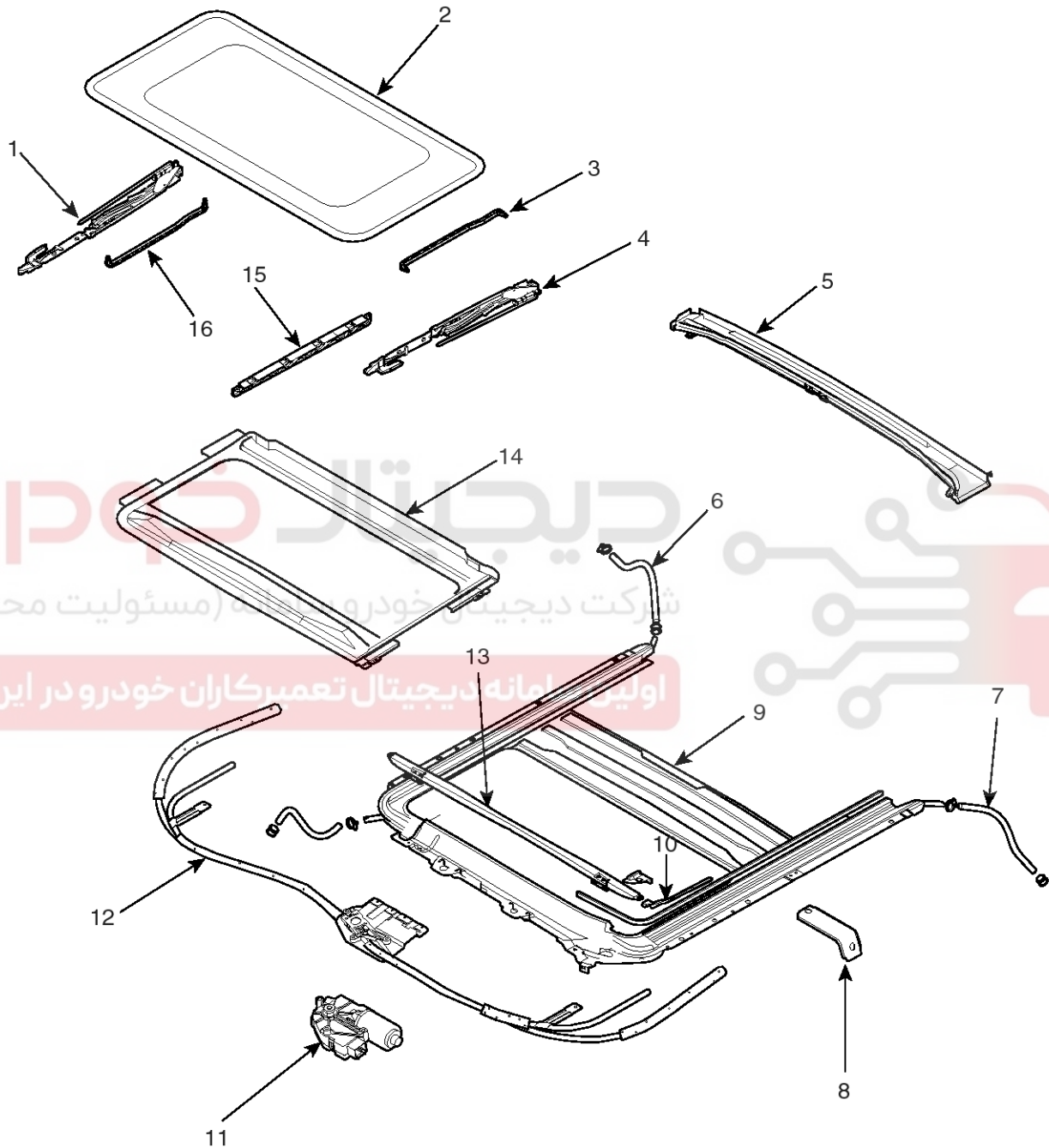
BD-42

Body (Interior and Exterior)

Sun Roof

Sunroof Assembly

Components



- 1. Guide assembly
- 2. Glass
- 3. Drip link
- 4. Guide assembly
- 5. Drip rail

- 6. Drain tube
- 7. Drain tube
- 8. Set bracket
- 9. Frame
- 10. Defector link

- 11. Motor
- 12. Drive unit
- 13. Defector
- 14. Sunshade
- 15. Decoration cover

SFDBD7202L

Sun Roof

BD-43

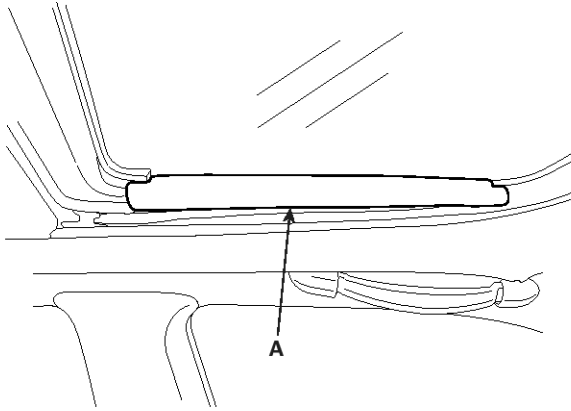
Replacements

Glass Replacement

NOTICE

- Put on glove to protect your hands.

- Remove both decoration cover (A).

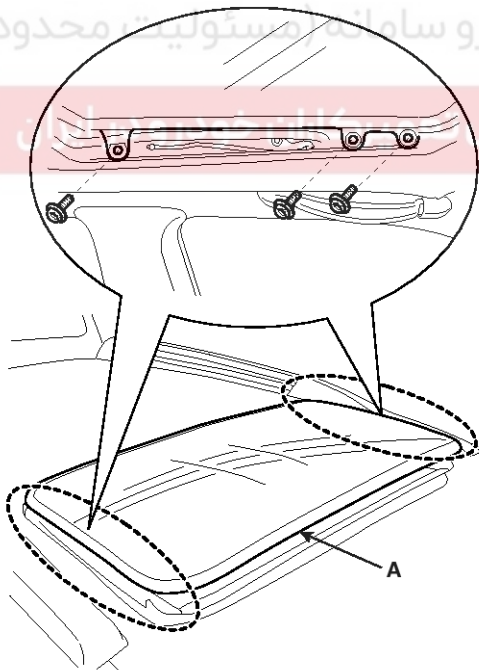


ESBF170E

- Remove the glass (A) by lifting it up.

NOTICE

- Do not damage the roof panel.



ESBF170D

- Installation is the reverse of removal.

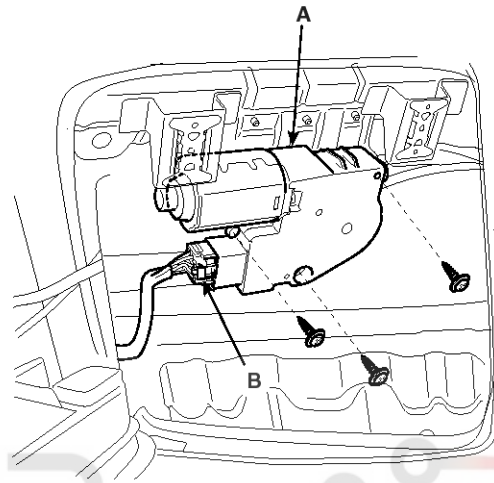
Motor Replacement

- Remove the over head console.

NOTICE

- Confirm the position of guide whether it is closed or not when you remove the motor.

- Disconnect the motor connector (A), remove the screws and then remove the motor (B).



SEDBD7302D

- Installation is the reverse of removal.

NOTICE

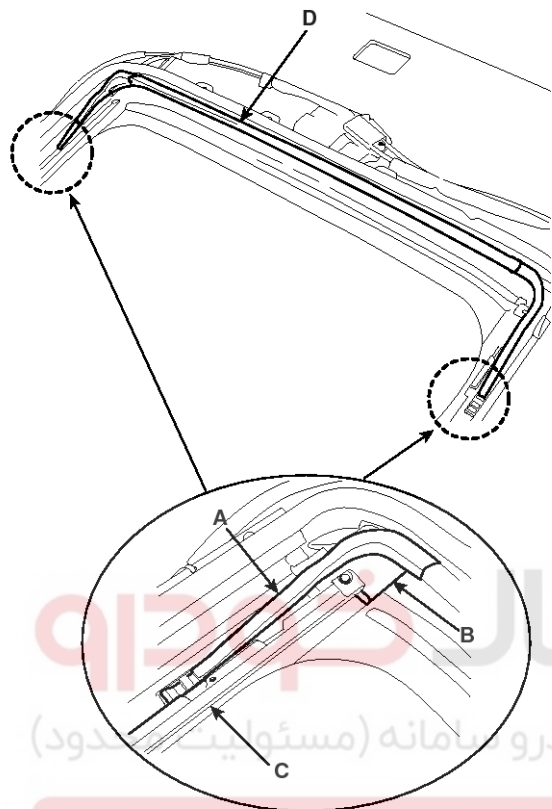
- Make sure to initialize the motor.

BD-44

Body (Interior and Exterior)

Deflector Replacement

1. Open the glass fully.
2. Disconnect the deflector link (A) from the frame (B), and then remove the deflector (C).



SEDBD7303D

3. Installation is the reverse of removal.



Sun Roof

BD-45

Sunroof Assembly Replacement

1. Remove the follows parts.

- Door scuff trim.
- Front pillar trim.
- Center pillar trim.
- Rear pillar trim.
- Headlining.
- Sunroof glass.

2. Disconnect the drain tubes (B).

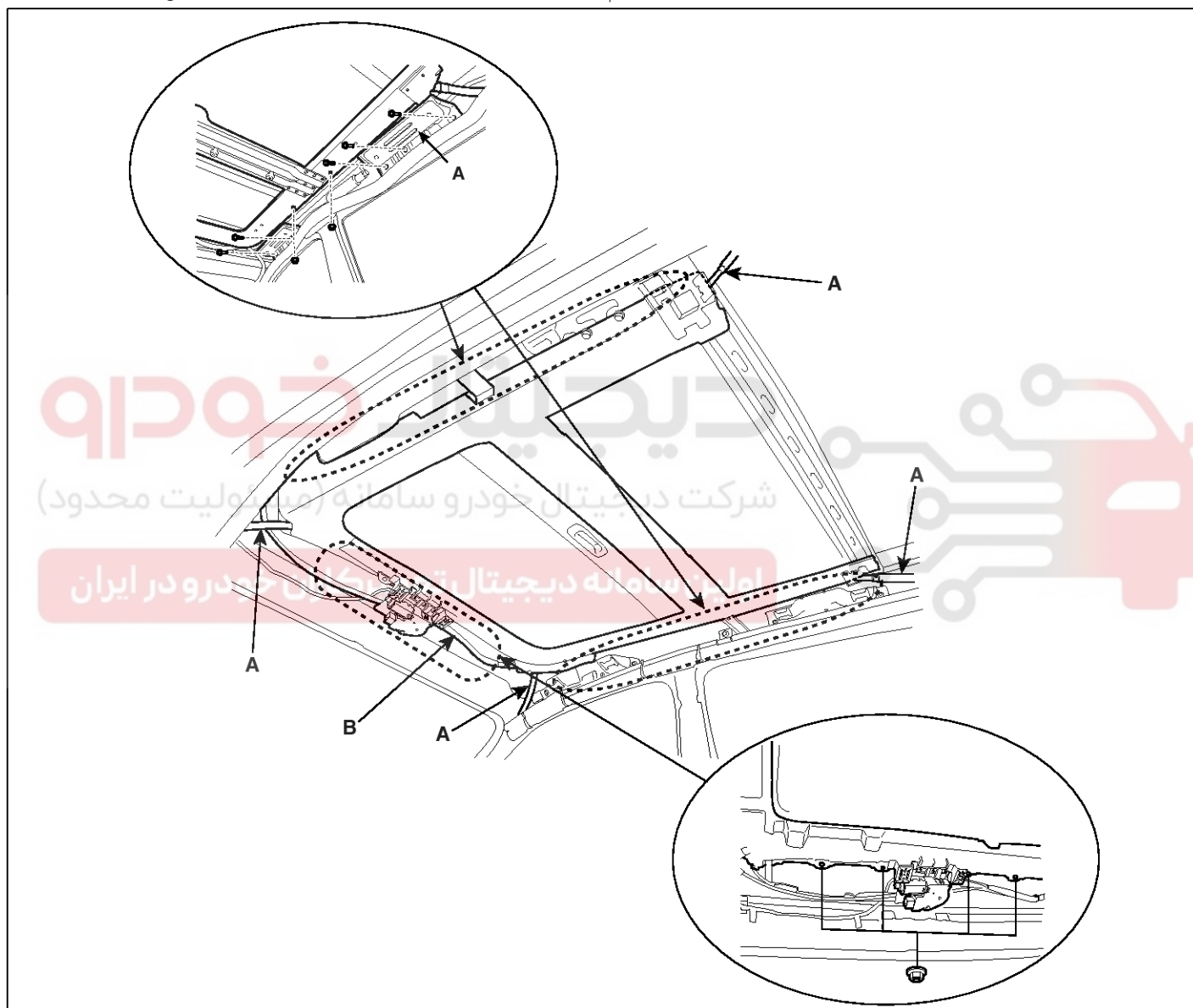
3. Remove the bracket (A).

4. After loosening the mounding bolts and nuts, remove the sunroof assembly (B).

NOTICE

- Take care not to scratch the interior trims and other parts.

5. Installation is the reverse of removal.



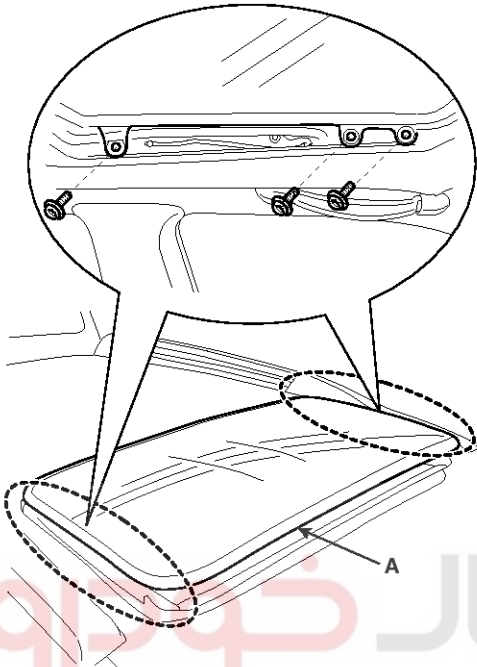
SEDBD7304D

BD-46

Body (Interior and Exterior)

Sunshade And Drip Rail Replacement

1. Remove the sunroof assembly.
2. Remove the drip link (A) and sunshade stopper (B).
3. Remove the sunshade (C) and drip rail (D).

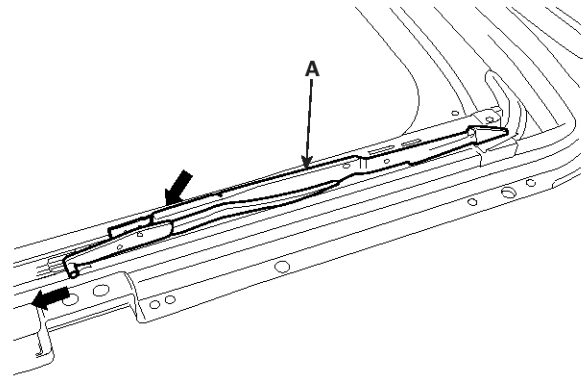


ESBF170D

4. Installation is the reverse of removal.

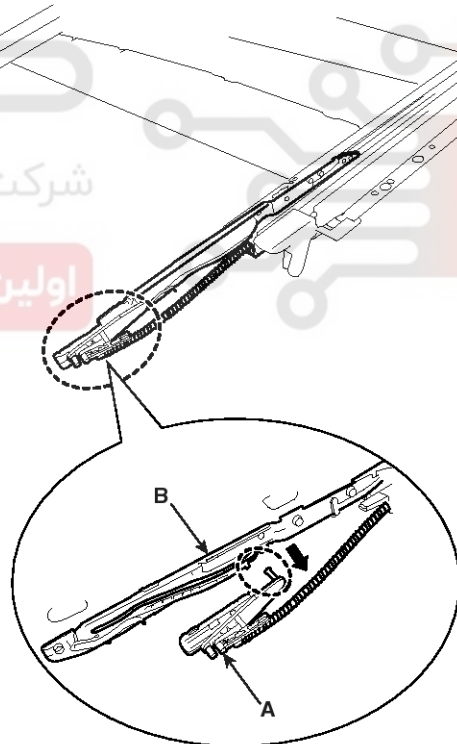
Guide Assembly Replacement

1. Remove the sunroof assembly.
2. Remove a guide assembly (A) after lowering a guide thoroughly by pushing a slide (B) to rear.



ESBF171E

3. Remove the guide (A) and slide (B).



ESBF171H

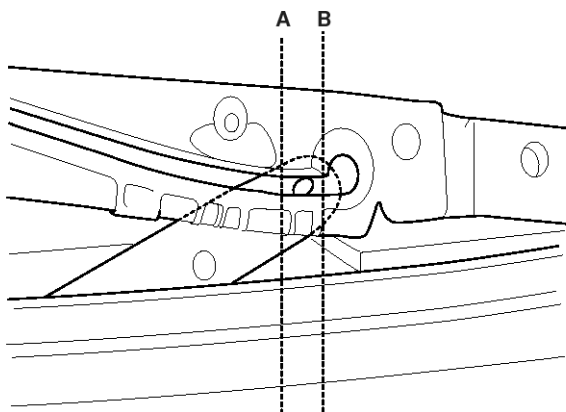
Sun Roof

BD-47

4. Installation is the reverse of removal.

NOTICE

- Make sure to align the slide with the center of "A" and "B"
- Make sure to initialize the motor.



KSBF171I

دیجیتال خودرو

شرکت دیجیتال خودرو سامانه (مسئولیت محدود)

اولین سامانه دیجیتال تعمیرکاران خودرو در ایران



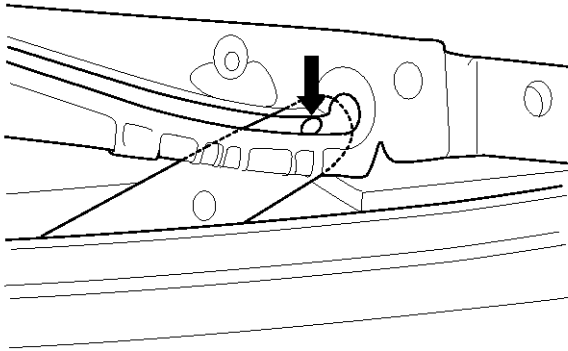
BD-48

Body (Interior and Exterior)

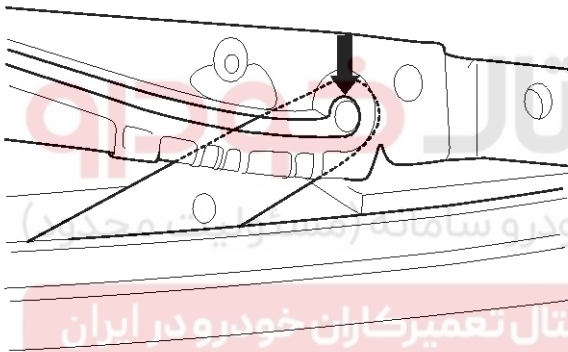
Adjustment

How To Initialize

1. Check that the glass has been installed.
 - Finished height adjustment.
2. Push the up switch. (Keep on pushing the switch)
 - the slide moved 5mm forward after 15 seconds.



- Before moving the slide -



- After moving the slide -

ESBF171M

3. After moving the slide 5mm forward, turn OFF the switch and push the UP switch (Keeping on pushing the switch with continuous operation)
 - If the operation above is normal condition, the sunroof once and closes.
4. When the sunroof is closed completely, turn OFF the UP switch initialize the motor completely.

When To Initialize The Motor

1. First operation the vehicle after manufacture it.
2. Initial value is erased or damaged because of short power electric discharge during operation.
3. After using the manual handle.

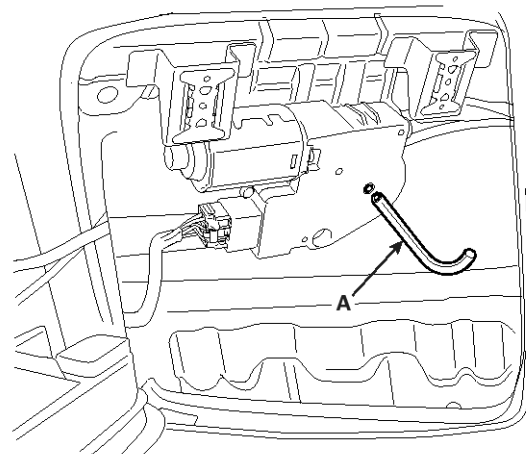
Operating The Sunroof Emergency Handle

1. Use the sunroof emergency handle to close and open the sunroof manually for the following case only
 - To close the sunroof before driving a vehicle in arainy day or on the highway if the sunroof can not be closed due to failure of the sunroof motor or controller.
2. Operating method
 - Remove the overhead console
 - Push the emergency handle up into the hexagonal drive (A) of the sunroof motor. You must push hard enough to disengage the motor clutch; other wise the emergency handle will slip due to in complete fit in the motor.
 - Carefully turn the emergency handle clock wise to close the sunroof.
 - After closing the sunroof, wiggle the handle back and forth as you remove the tool from the motor, to ensure the motor clutch reengages.
 - A 5mm hex socket may be used in place of the emergency handle, with a "Speeder" type handle.

CAUTION

- Do not use power tools to operate the sunroof.

Damage to the components may occur.



ESBF171N

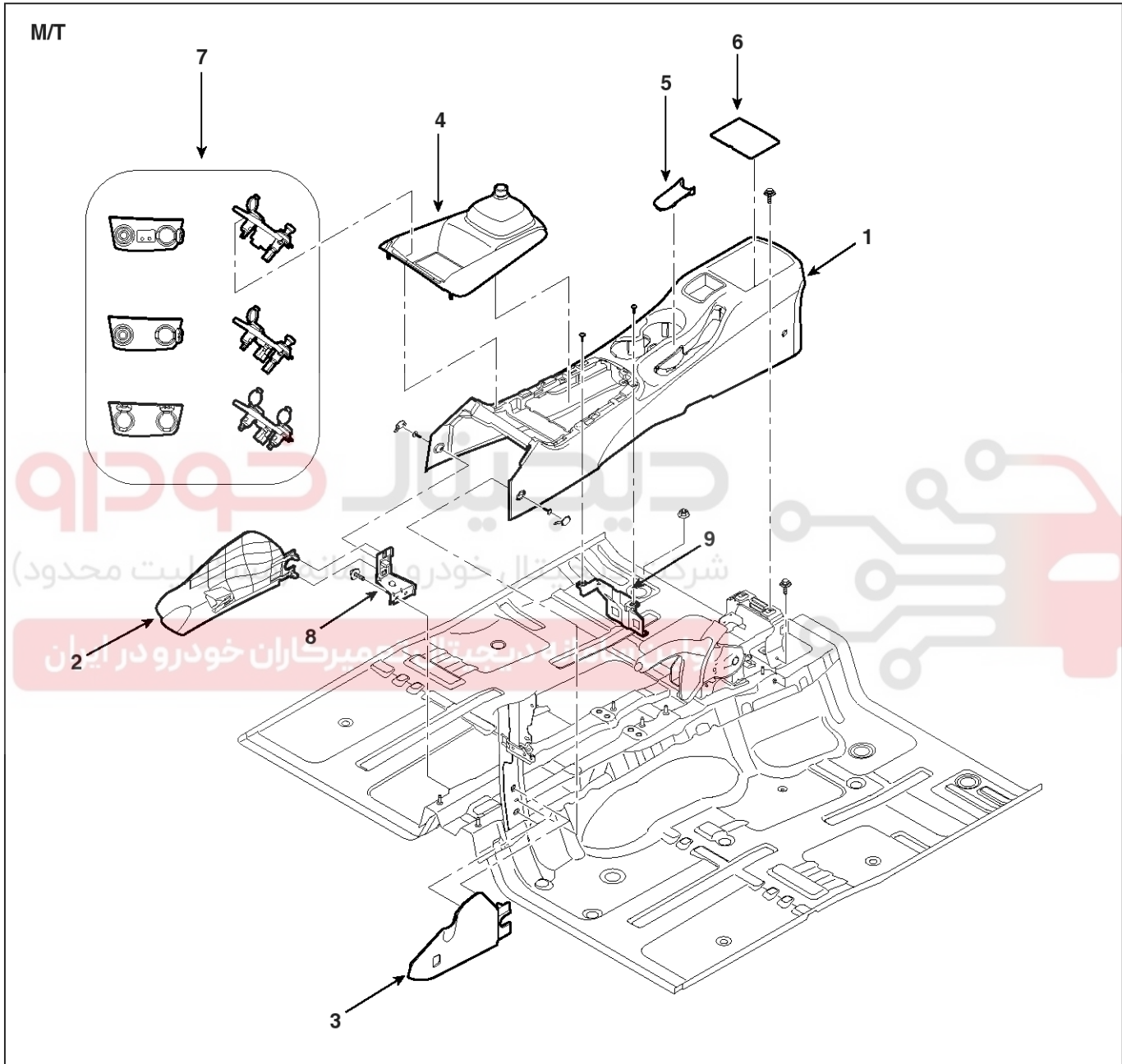
Interior

BD-49

Interior

Console

Components

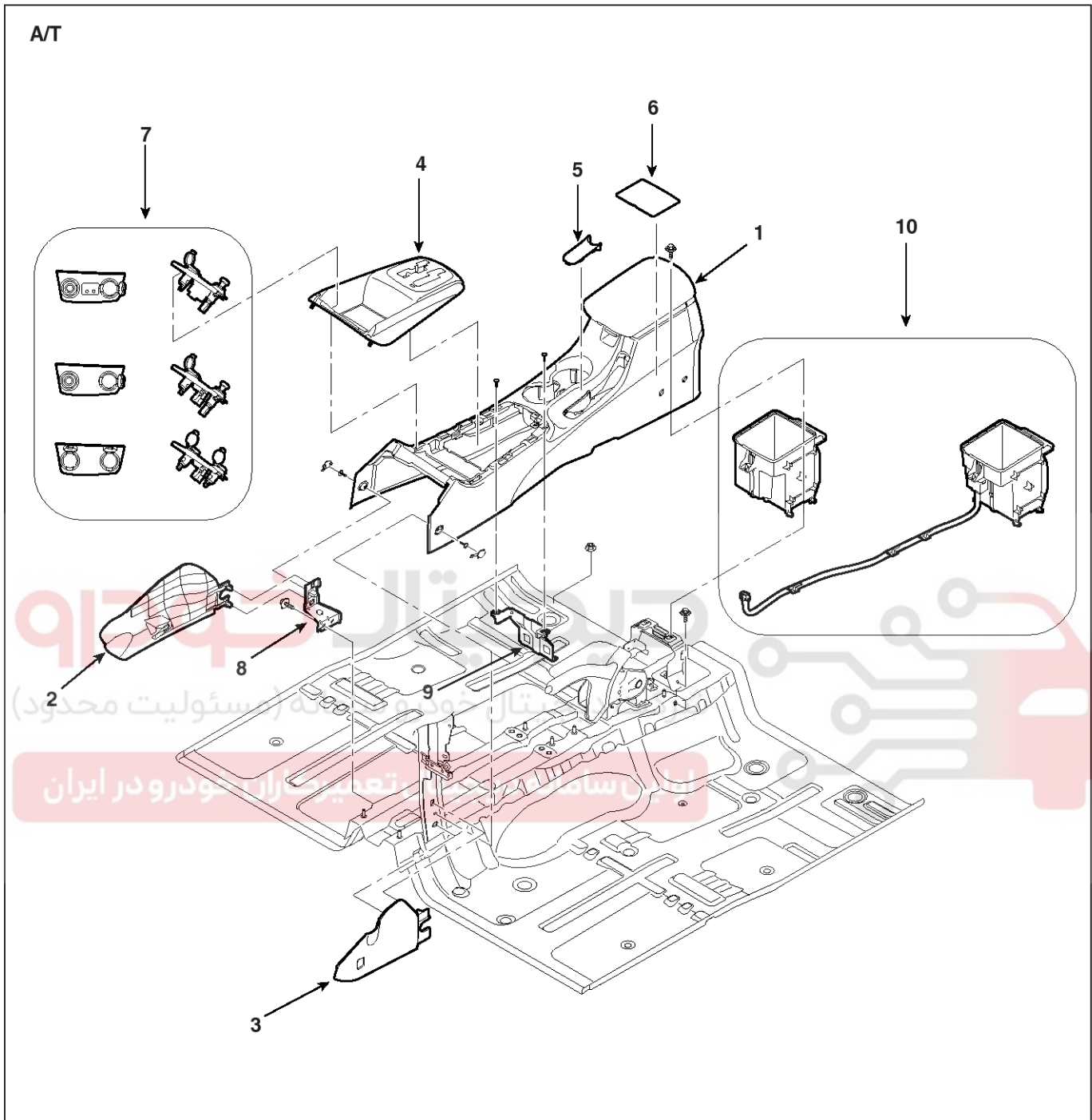


- | | |
|---------------------------------|------------------------------|
| 1. Floor console | 6. Console tray nat |
| 2. Crash pad conter lower cover | 7. Floor console front bezel |
| 3. Crash pad center lower cover | 8. Mounting bracket |
| 4. Floor console upper cover | 9. Mounting brackel |
| 5. Parking brake cover | |

SFDBD8193L

BD-50

Body (Interior and Exterior)



- | | |
|---------------------------------|------------------------------|
| 1. Floor console | 6. Console tray nat |
| 2. Crash pad center lower cover | 7. Floor console front bezel |
| 3. Crash pad center lower cover | 8. Mounting bracket |
| 4. Floor console upper cover | 9. Mounting bracket |
| 5. Parking brake cover | 10. Floor console tray |

SFDBD8198L

Interior

BD-51

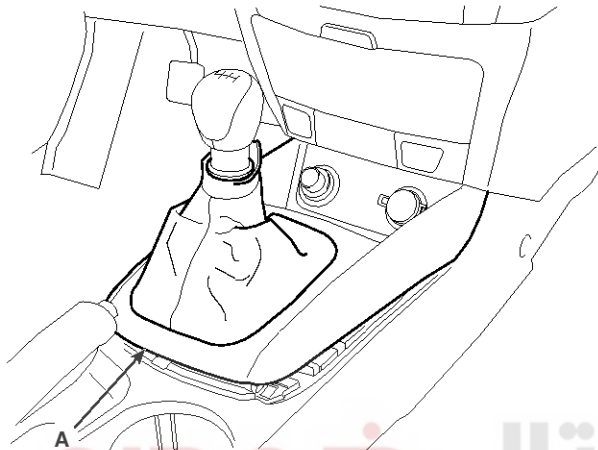
Replacement

Floor Console Replacement

NOTICE

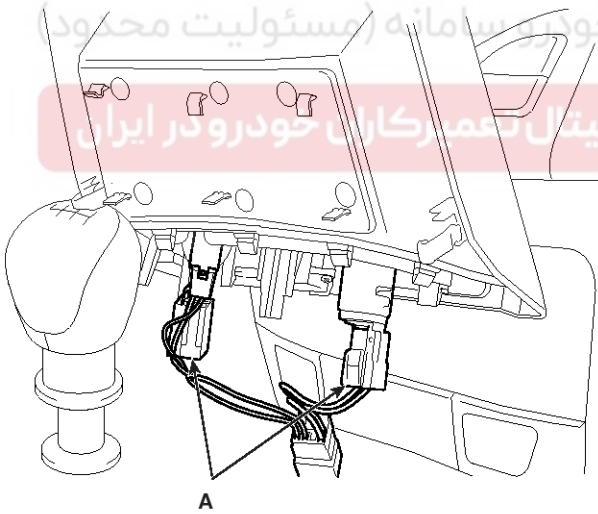
- When prying with a flat-up screwdriver, wrap it with protective tape, and apply protective tape around the related parts, to prevent damage.
- Put on gloves to protect your hands.

1. Remove the upper cover (A).



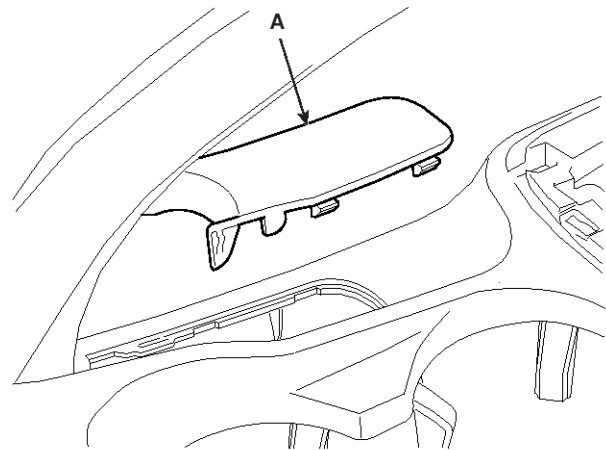
SFDBD7032L

2. Disconnect the connector (B).



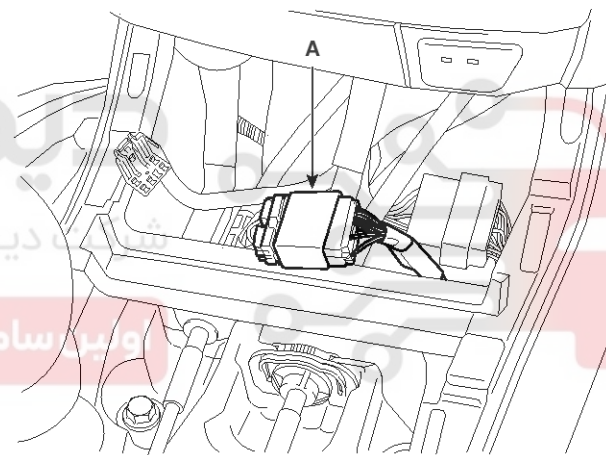
SFDBD7033L

3. Gently detach the hook, remove the parking brake cover (A).



SFDBD7034L

4. Disconnect the connector (A).

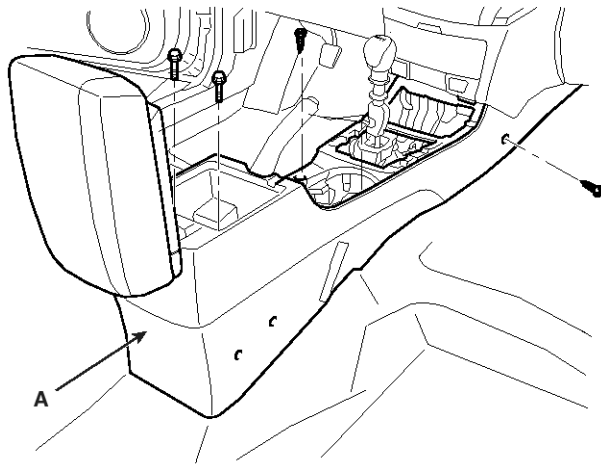


SFDBD7036L

BD-52

Body (Interior and Exterior)

5. After loosening the console mounting screws, remove the floor console assembly (A).



SFDBD7035L

6. Installation is the reverse of removal.

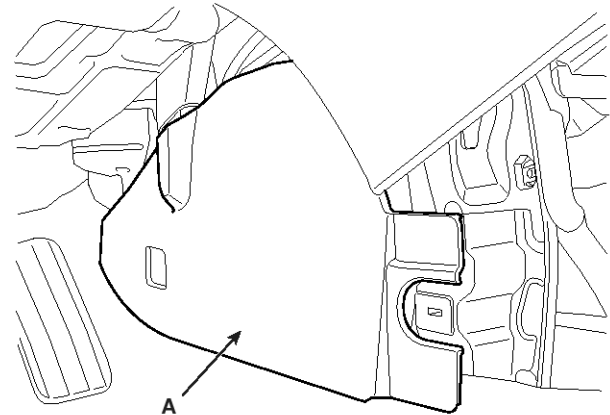
NOTICE

- Make sure the connector is plugged in properly.
- Replace any damage clips.

Console Extenser Cover

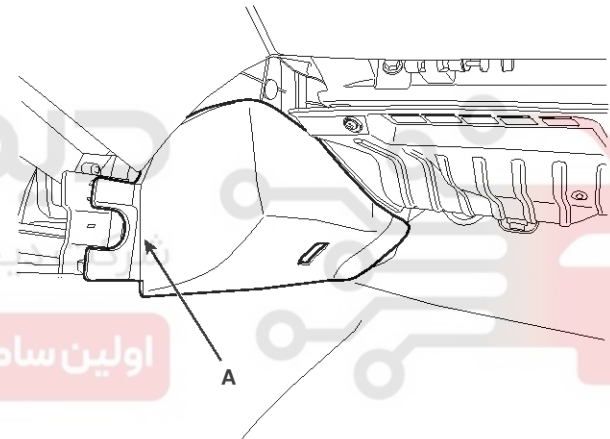
1. Remove the console extenser cover (A).

Driver's



SFDBD7037L

Passenger's



SFDBD7038L

2. Installation is the reverse of removal.

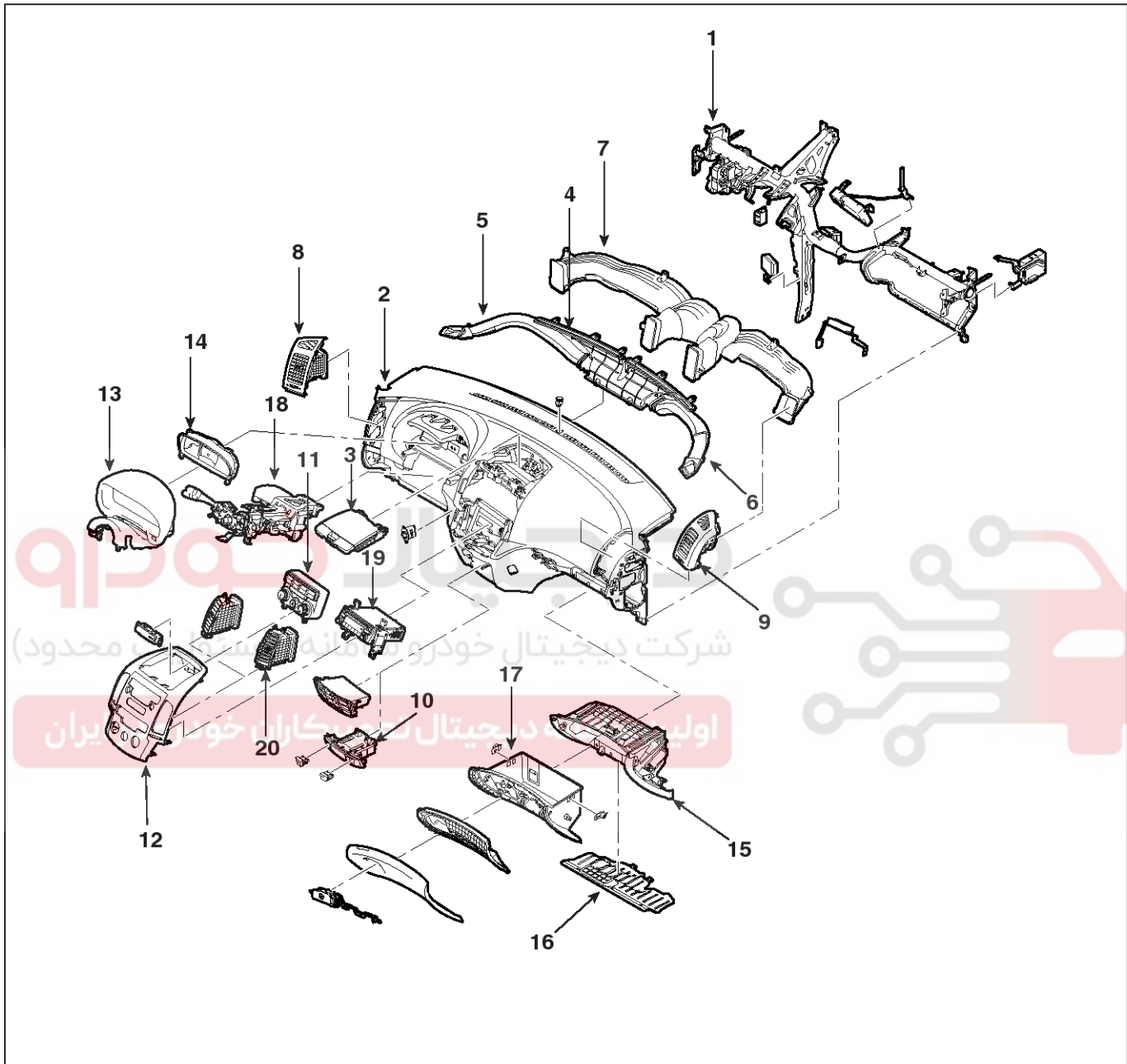
دیجیتال خودرو
اولین سامانه دیجیتال تعمیرکاران خودرو در ایران

Interior

BD-53

Crash Pad

Components

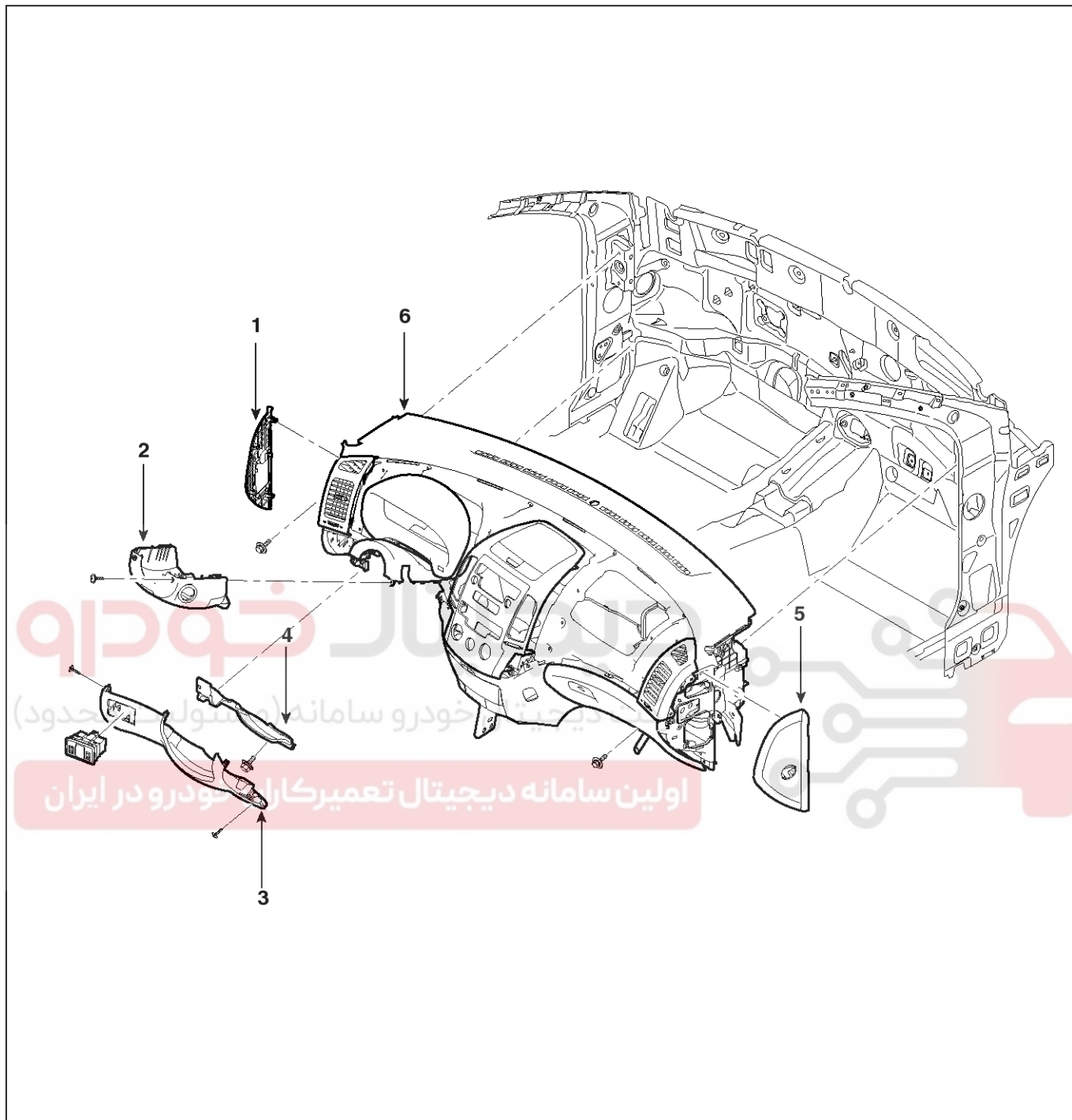


- | | | |
|--------------------------------|---------------------------------|-------------------------------|
| 1. Cowl crass bar | 7. Heater airvent connection | 13. Cluster facia panel |
| 2. Crash pad main panel | 8. Air vent (L/H) | 14. Cluster facia |
| 3. Crash pad center upper tray | 9. Air vent (R/H) | 15. Glove box housing |
| 4. Defrafter nozzle | 10. Crash pad center lower tray | 16. Under cover (R/H) |
| 5. Side defroster hase (LH) | 11. Heater control unit | 17. Glove box |
| 6. Side defroster hase (RH) | 12. Center facia panel | 18. Str'G column |
| | | 19. Audio assembly |
| | | 20. Air vent1. Cowl crass bar |

SFDBD8188L

BD-54

Body (Interior and Exterior)



- 1. Crash pad side cover
- 2. Shroud
- 3. Crash pad lower panel

- 4. Reinforce panel
- 5. Crash pad side cover
- 6. Crash pad main panel

SFDBD8186L

Interior

BD-55

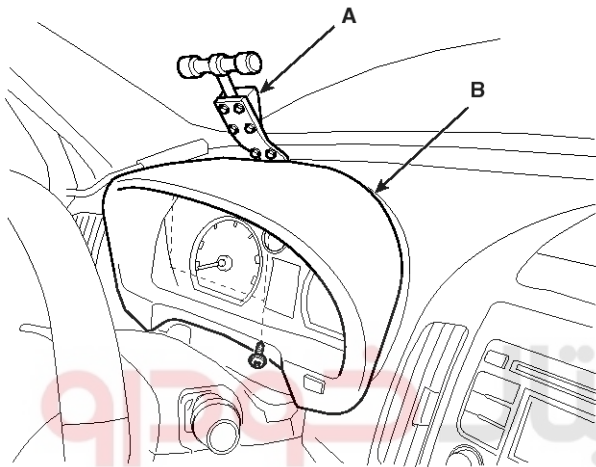
Replacement

Cluster Facia Replacement

NOTICE

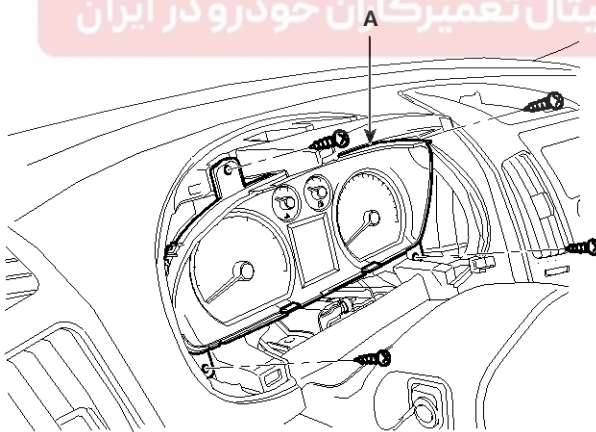
- When prying with a flat-up screwdriver, wrap it with protective tape, and apply protective tape around the related parts, to prevent damage.
- Put on gloves to protect your hands.

1. Tilt the steering column down.
2. Separate the cluster facia panel (B) from the crash pad pulling the SST (A) (09840-1E100).



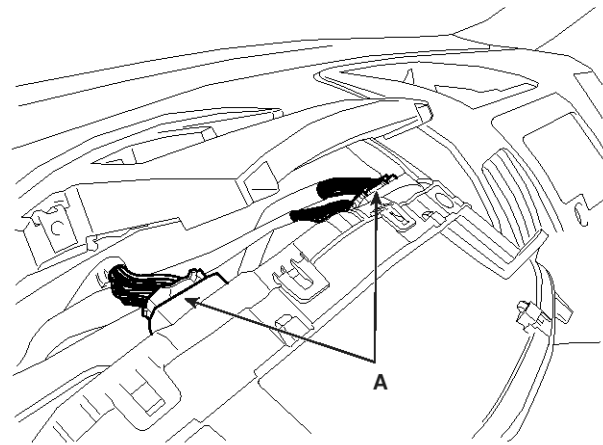
SFDBD7039L

3. After loosening the mounting screws, then remove the cluster facia (A).



SFDBD7040L

4. Disconnect the connector (A).



SFDBD7041L

5. Installation is the reverse the removal.

NOTICE

- Make sure the connector is plugged in properly.

BD-56

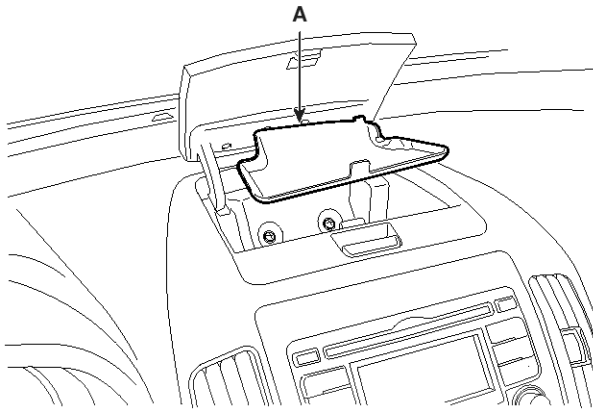
Body (Interior and Exterior)

Center Fascia Panel Replacement

NOTICE

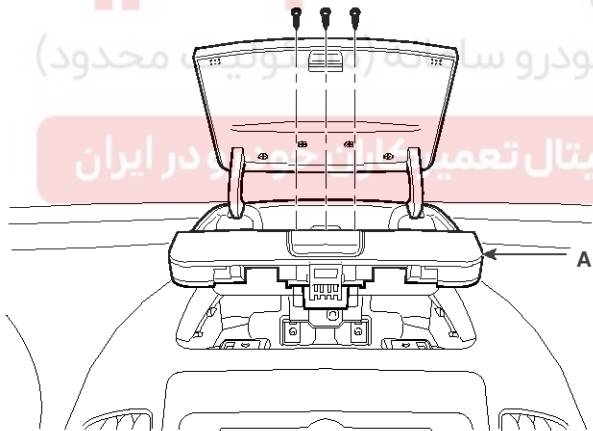
- When prying with a flat-up screwdriver, wrap it with protective tape, and apply protective tape around the related parts, to prevent damage.
- Put on gloves to protect your hands.

1. Remove the nat (A).



SFDBD7042L

2. Remove the upper tray (A).

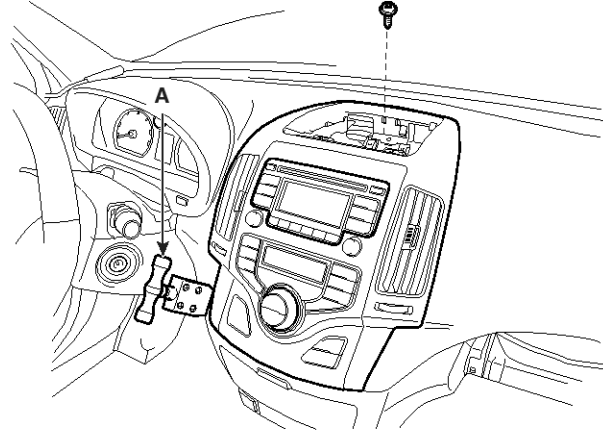


SFDBD7043L

3. Put the SST (09840-1E100) (A) into the space between the center fascia and crash pad.

NOTICE

- Be care not to damage the center fascia and crash pad.

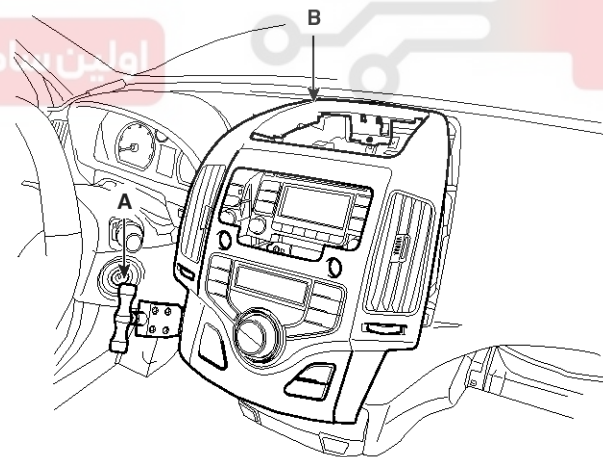


SFDBD7044L

4. Separate the center fascia panel (B) from the crash pad pulling the SST (09840-1E100) (A) as shown on the photo.

CAUTION

- Pull the SST (09840-1E100) (A) slowly not to damage the center fascia panel.



SFDBD7045L

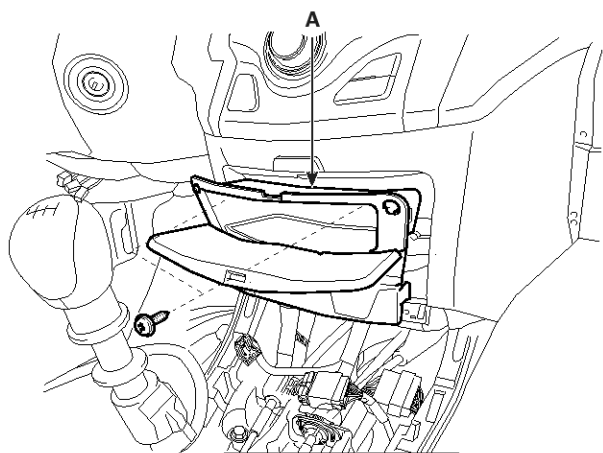
5. Pull the other side of center fascia panel with the SST (09840-1E100) in the way of "step 2)".

Interior

BD-57

Center Facia Lower Tray Replacement

1. After loosening the mounting clips, then remove the center facia lower tray (A).

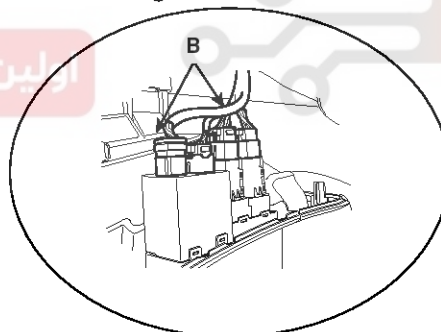
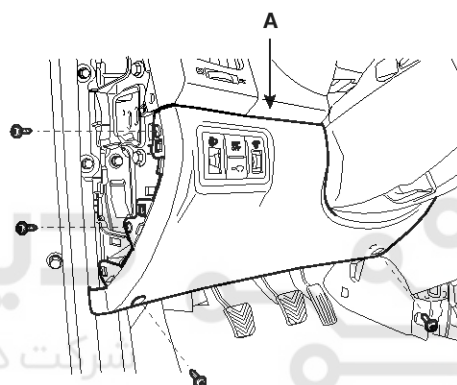
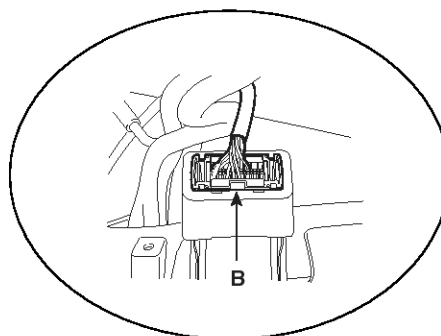


SFDBD7046L

2. Installation is the reverse of removal.

Lower Panel Replacement

1. Remove the crash pad side cover.
2. Disconnecting the connector (B).
3. After loosening the crash pad lower panel mounting screws, then remove the lower panel (A).

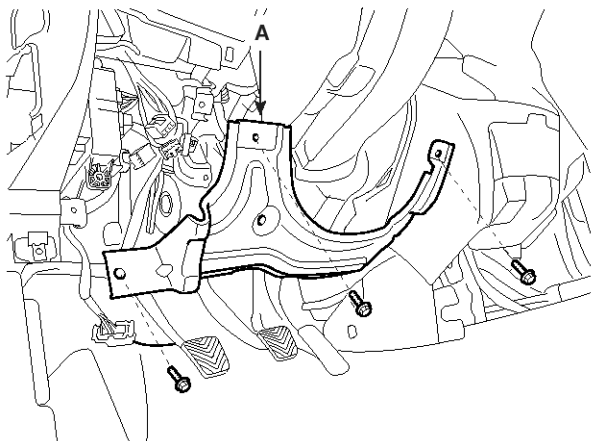


SFDBD7047L

BD-58

Body (Interior and Exterior)

4. After loosening the mounting bolts, then remove the reinforcing panel (A).

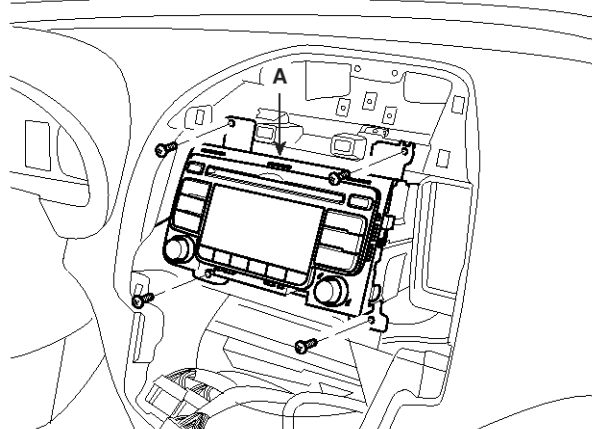


SFDBD7048L

5. Installation is the reverse of removal.

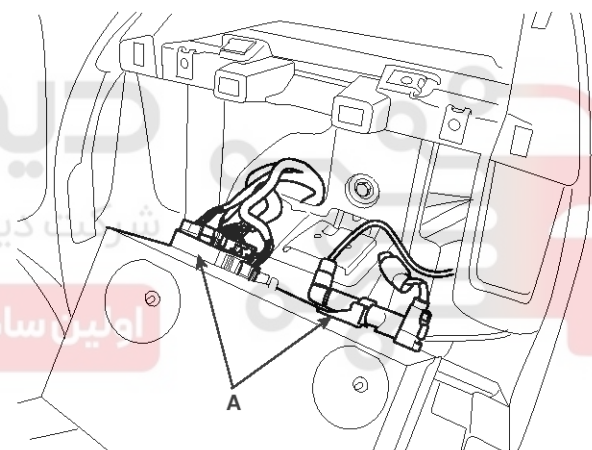
Audio Assembly Replacement

1. Remove the center facia panel .
2. Loosen the audio (A) mounting screws.



SFDBD7050L

3. Disconnect the connector (A).



SFDBD7051L

4. Installation is the reverse of removal.

NOTICE

- Make sure the connector is plugged in properly.

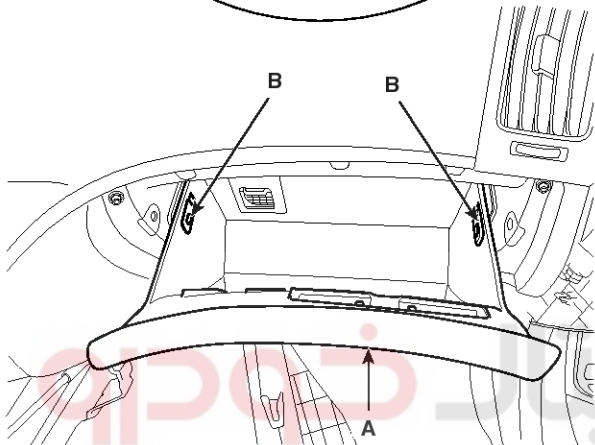
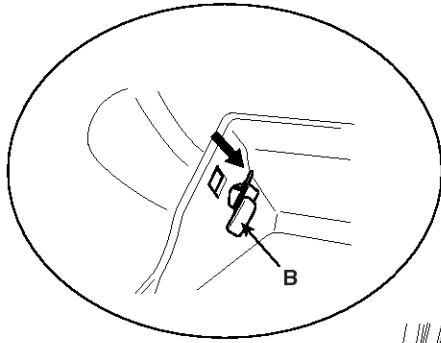
دیجیتال خودرو
 شرکت دیجیتال خودرو سامانه (مسئولیت محدود)
 اولین سامانه دیجیتال تعمیرکاران خودرو در ایران

Interior

BD-59

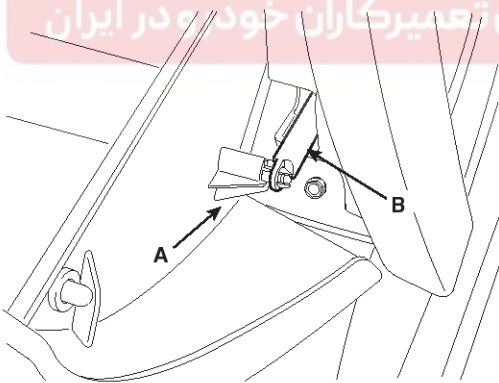
Glove Box Replacement

1. Disconnect the damper (B) from the glove box (A).



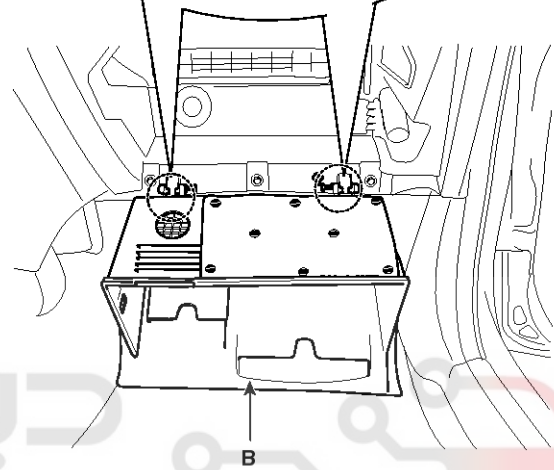
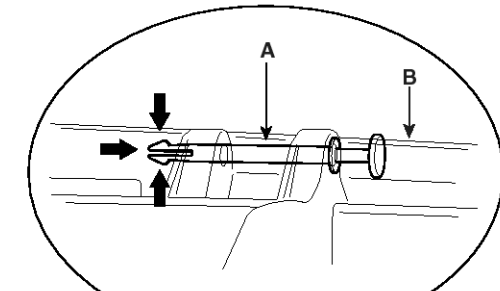
SFDBD7052L

2. Remove the glove box (A) from the lift (B).



SEDBD7049L

3. Disconnect the pine (A), then remove the glove box (B).

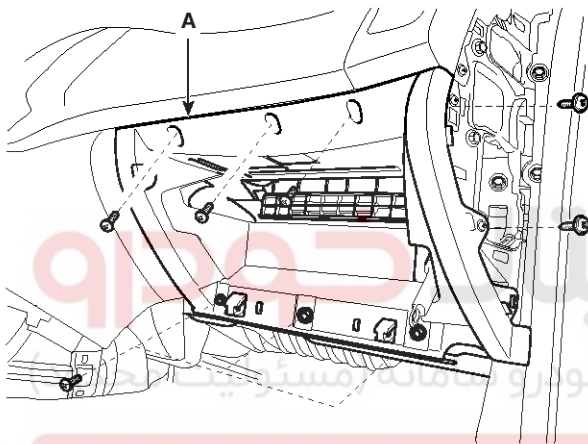
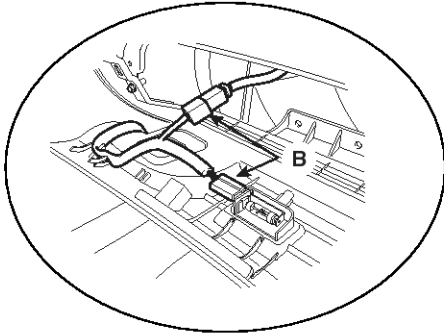


SFDBD7053L

BD-60

Body (Interior and Exterior)

4. After loosening the mounting screws, then remove the glove box housing (A).
5. Disconnect the connector (B).

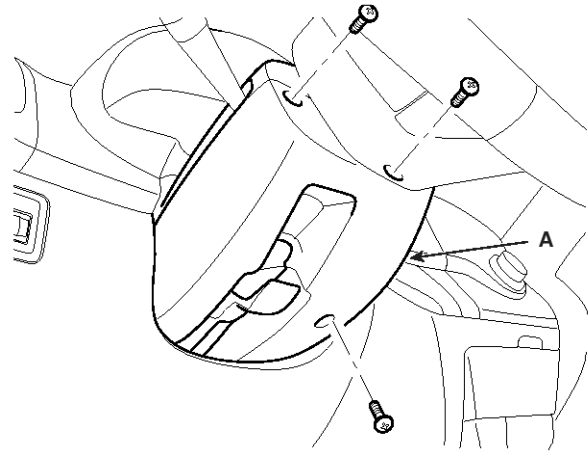


SFDBD7054L

6. Installation is the reverse of removal.

Shroud Replacement

1. Loosen the screws.
2. Remove the shroud assembly (A).



SFDBD7055L

3. Installation is the reverse of removal.



Interior

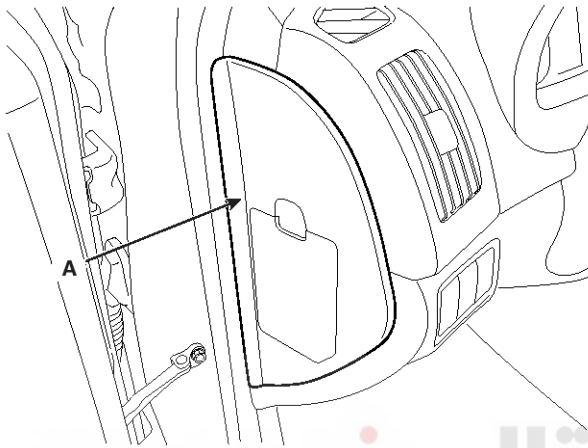
BD-61

Cover Replacement

NOTICE

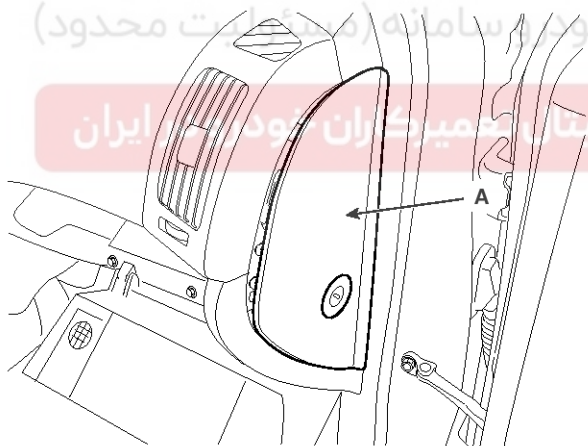
- When prying with a flat-up screwdriver, wrap it with protective tape, and apply protective tape around the related parts, to prevent damage.
 - Put on gloves to protect your hands.
1. Remove the crash pad side cover (A).

Driver's



SFDBD7056L

Passenger's



SFDBD7057L

2. Installation is the reverse of removal.

BD-62

Body (Interior and Exterior)

Crash Pad Replacement

NOTICE

• When prying with a flat-up screwdriver, wrap it with protective tape, and apply protective tape around the related parts, to prevent damage.

• Put on gloves to protect your hands.

1. Remove the following items.

- Front seat.
- Cluster fascia panel, cluster.
- Audio assembly.
- Glove box.
- Crash pad side cover.
- Front pillar trim.
- Lower panel (L/H)

2. Remove the photo sensor.

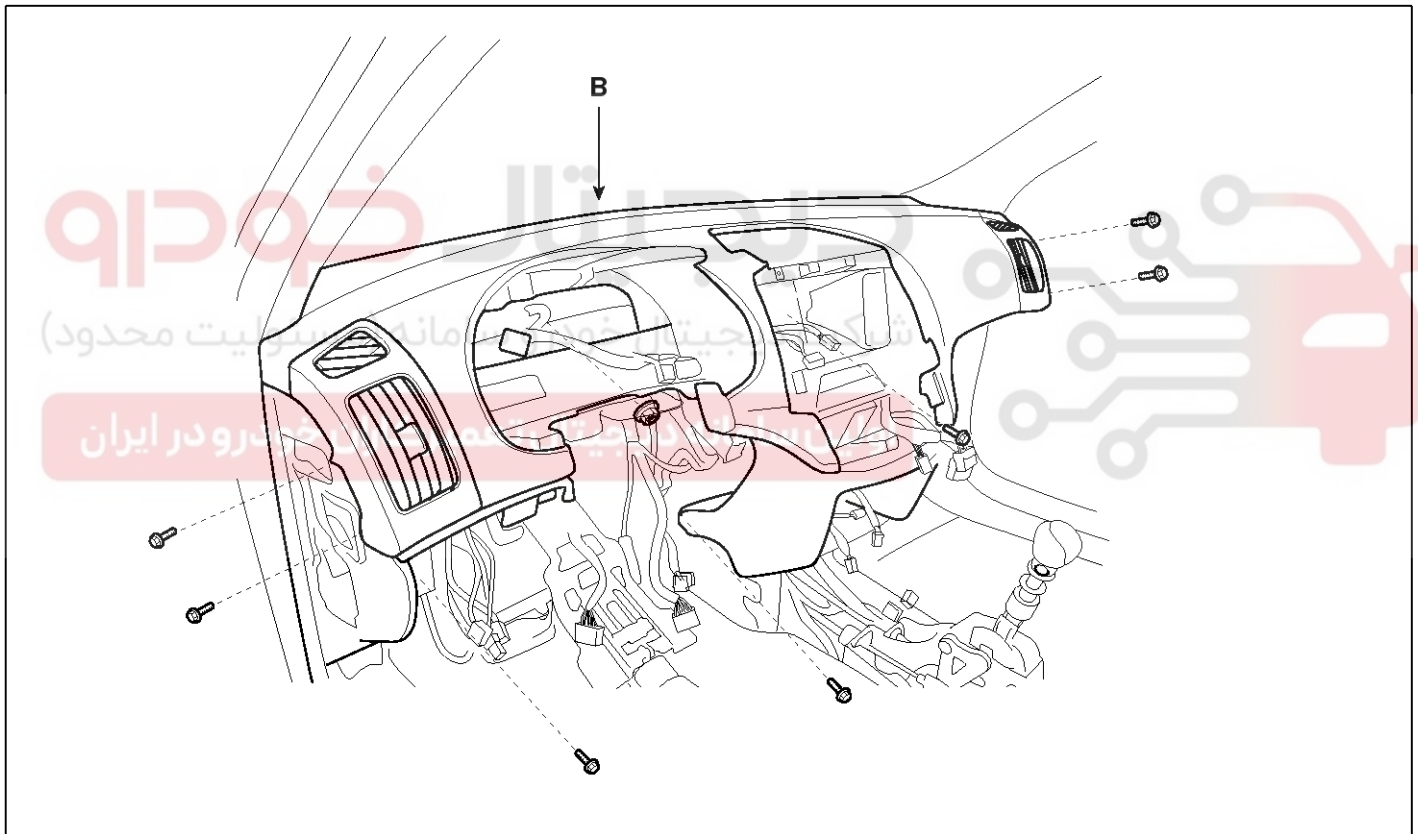
3. Disconnect the passenger's air bag connector.

Loosen the bolts and nuts, then remove the crash pad (B).

4. Installation is the reverse of removal.

NOTICE

- Make sure the crash pad fits onto the guide pins correctly.
- Before tightening the bolts, make sure the crash pad wire harnesses are not pinched.
- Make sure the connectors are plugged in properly, and the antenna lead is connected properly.
- Enter the anti-theft code for the radio, then enter the customer's radio station presets.



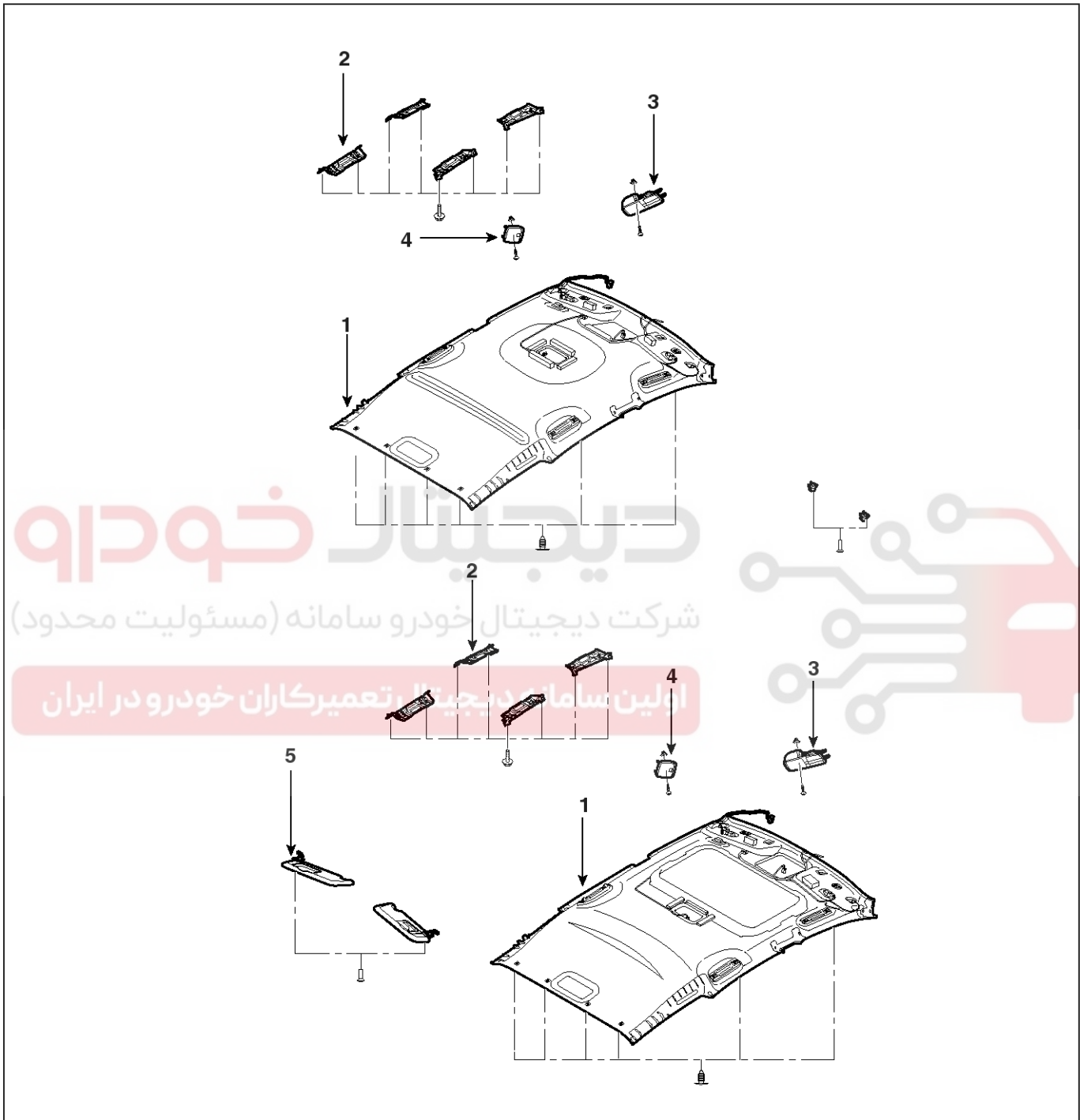
SFDBD7058L

Interior

BD-63

Roof Trim

Components



- 1. Roof trim
- 2. Handle mounting bracket
- 3. Map lamp (Mom sunroof)

- 4. Room lamp
- 5. Sunvisor

SFDBD8197L

BD-64

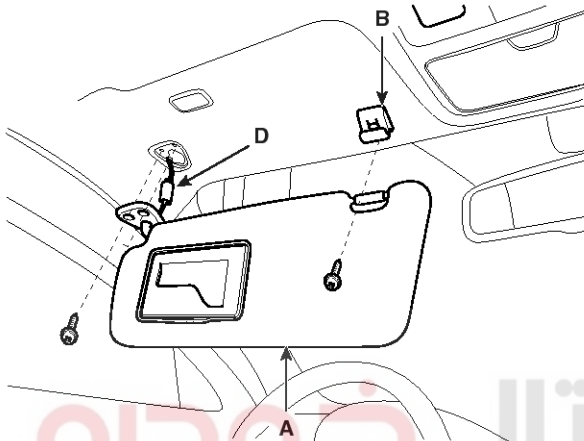
Body (Interior and Exterior)

Replacement

Sunvisor Replacement

NOTICE

- When prying with a flat-tip screwdriver, wrap it with protective tape to prevent damage.
 - Put on gloves to protect your hands.
1. Remove the sunvisor (A) and holder (B) from each side.
 2. Disconnect the connector (D).



SFDBD7059L

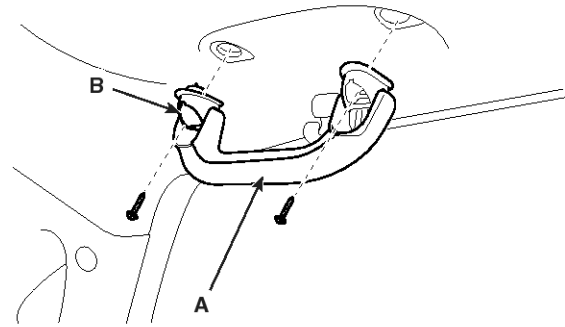
3. Installation is the reverse of removal.

Assist Handle Replacement

NOTICE

- When prying with a flat-tip screwdriver, wrap it with protective tape to prevent damage.
- Put on gloves to protect your hands.

1. Remove the covers (B), and remove the screws, then remove the assist handle (A).



SEDBD6073L

2. Installation is the reverse of removal.

Interior

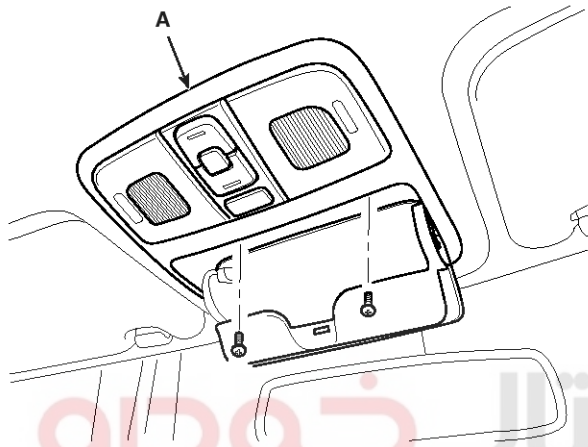
BD-65

Overhead Console Lamp Replacement

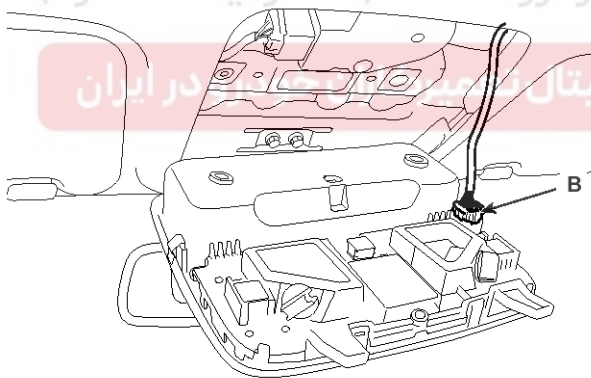
NOTICE

- When prying with a flat-tip screwdriver, wrap it with protective tape to prevent damage.
- Put on gloves to protect your hands.

1. Remove the overhead console
 - Remove the screw.
 - Pull out the roof console (A).
 - Disconnect the connector (B).



SFDBD7060L



SFDBD7061L

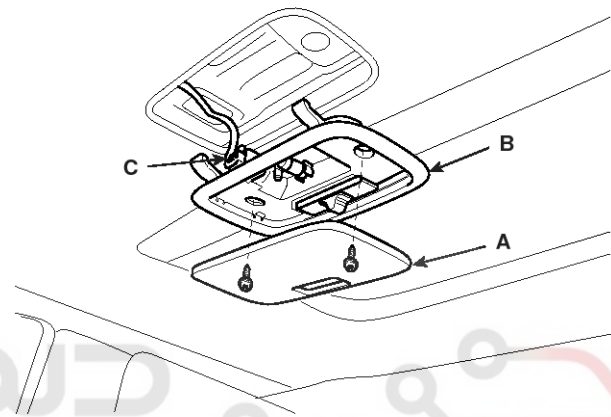
2. Installation is the reverse of removal.

Room Lamp Replacement

NOTICE

- When prying with a flat-tip screwdriver, wrap it with protective tape to prevent damage.
- Put on gloves to protect your hands.

1. Remove the room lamp.
 - Remove the lens (A).
 - Remove the screws.
 - Pull out the room lamp (B).
 - Disconnect the connector (C).



SFDBD7062L

2. Installation is the reverse of removal.

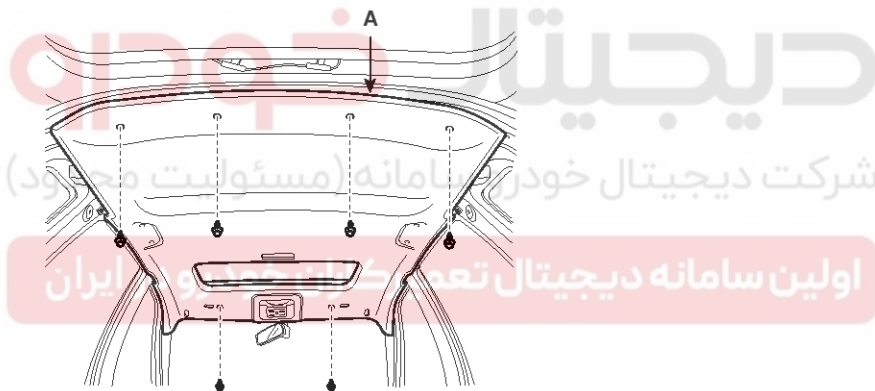
BD-66**Body (Interior and Exterior)****Headliner Replacement****NOTICE**

- Put on gloves to protect your hands.
- When prying with a flat-tip screwdriver, wrap it with protective tape to prevent damage.
- Take care not to bend or scratch the trim and panels.

1. Remove the following items.

- Front seat, rear seat assembly.
- Door scuff trim.
- Front pillar trim.
- Center pillar trim.
- Rear pillar trim.
- Overhead console.
- Room lamp.
- Sunvisor.
- Assist handle

2. Remove the roof trim (A).



SEDBD7061L

3. Installation is the reverse of removal.

NOTICE

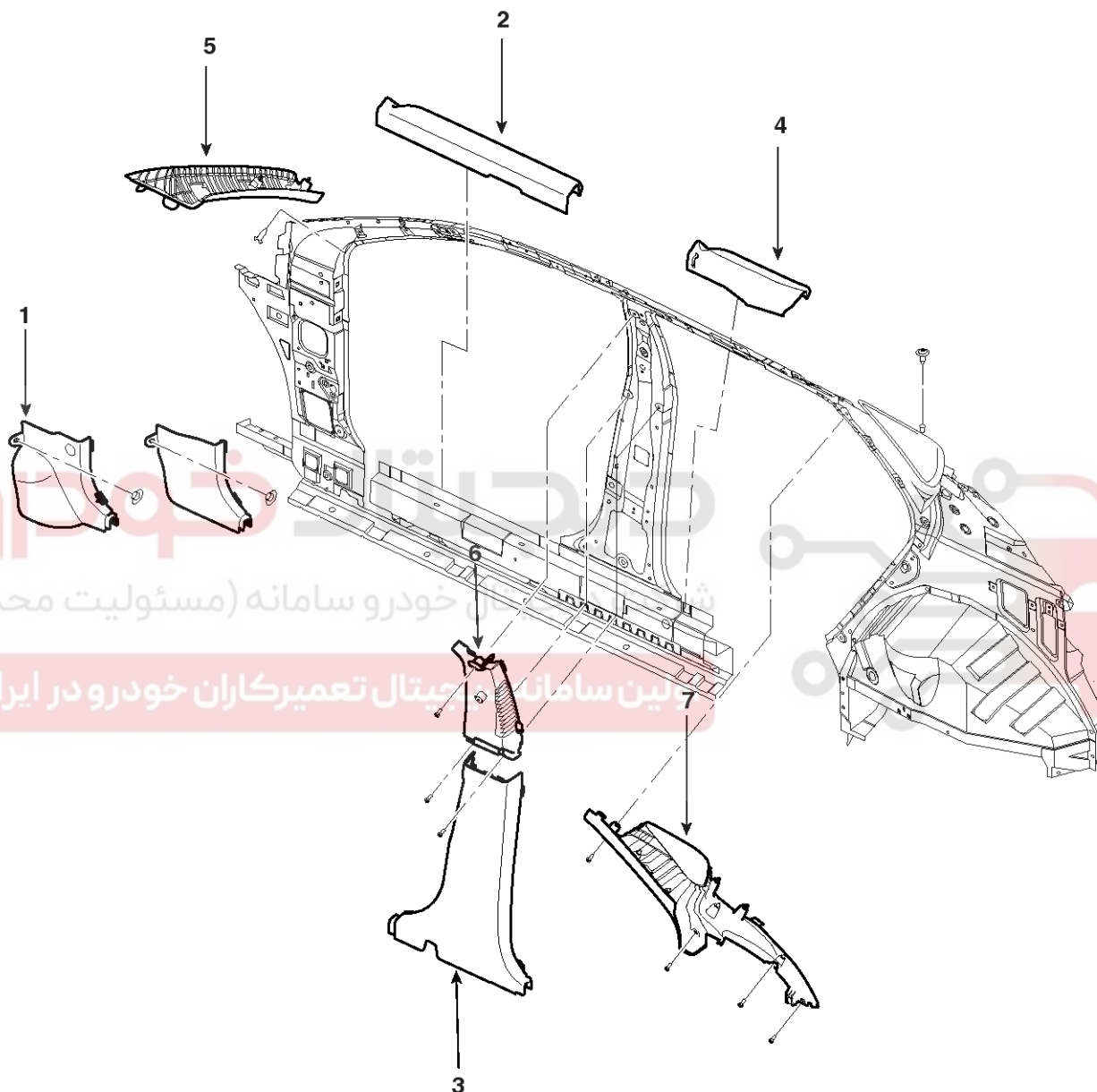
- Replace any damage clips.

Interior

BD-67

Interior Trim

Components



- | | |
|-----------------------------|-----------------------------|
| 1. Cowl side trim | 5. Front pillar upper trim |
| 2. Front door scuff trim | 6. Center pillar upper trim |
| 3. Center pillar lower trim | 7. Rear pillar trim |
| 4. Rear door scuff trim | |

SEDBD7902L

BD-68

Body (Interior and Exterior)

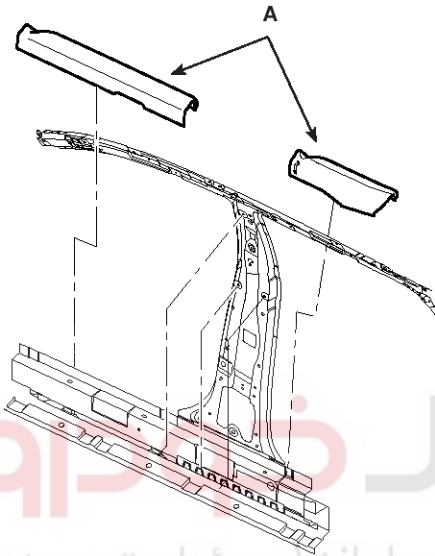
Replacement

Door Scuff Trim Replacement

NOTICE

- Put on gloves to protect your hands.
- When prying with a flat-tip screwdriver, wrap it with protective tape to prevent damage.
- Take care not to bend or scratch the trim and panels.

1. Remove the front door scuff trim (A).



SEDBD7211D

2. Installation is the reverse of removal.

NOTICE

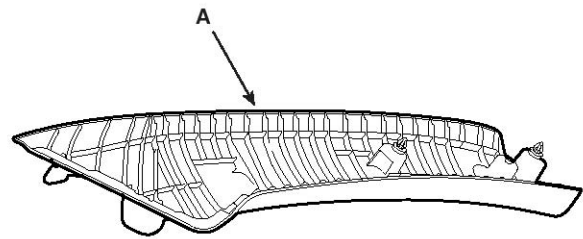
- Replace any damage clips.

Front Pillar Trim

NOTICE

- Put on gloves to protect your hands.
- When prying with a flat-tip screwdriver, wrap it with protective tape to prevent damage.
- Take care not to bend or scratch the trim and panels.

1. Remove the front pillar trim (A).



SEDBD7909L

2. Installation is the reverse of removal.

NOTICE

- Replace any damage clips.

Interior

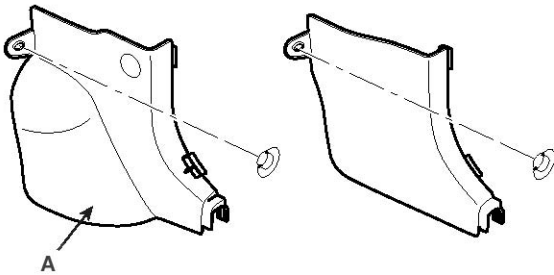
BD-69

Cowl Side Trim Replacement

NOTICE

- Put on gloves to protect your hands.
- When prying with a flat-tip screwdriver, wrap it with protective tape to prevent damage.
- Take care not to bend or scratch the trim and panels.

1. Remove the front door scuff trim.
2. Remove the cowl side trim (A).



SEDBD7910L

3. Installation is the reverse of removal.

NOTICE

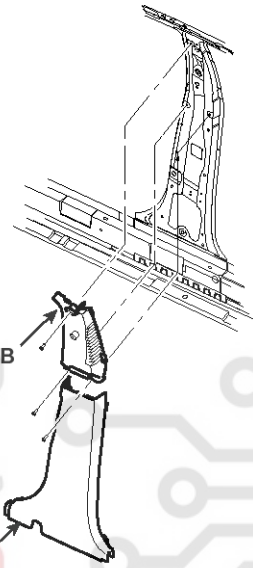
- Replace any damage clips.

Center Pillar Trim Replacement

NOTICE

- Put on gloves to protect your hands.
- When prying with a flat-tip screwdriver, wrap it with protective tape to prevent damage.
- Take care not to bend or scratch the trim and panels.

1. Remove the front seat belt lower anchor.
2. Remove the door scuff trim.
3. Remove the center lower pillar trim (A).
4. Remove the center upper pillar trim (B).



SEDBD7911L

5. Installation is the reverse of removal.

NOTICE

- Replace any damage clips.

BD-70

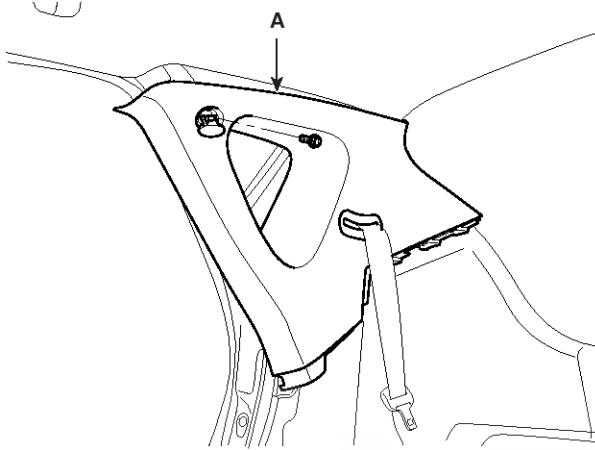
Body (Interior and Exterior)

Rear Pillar Trim Replacement

NOTICE

- Put on gloves to protect your hands.
- When prying with a flat-tip screwdriver, wrap it with protective tape to prevent damage.
- Take care not to bend or scratch the trim and panels.

1. Remove the rear pillar lower trim (A).



SFDBD7064L

2. Installation is the reverse of removal.

NOTICE

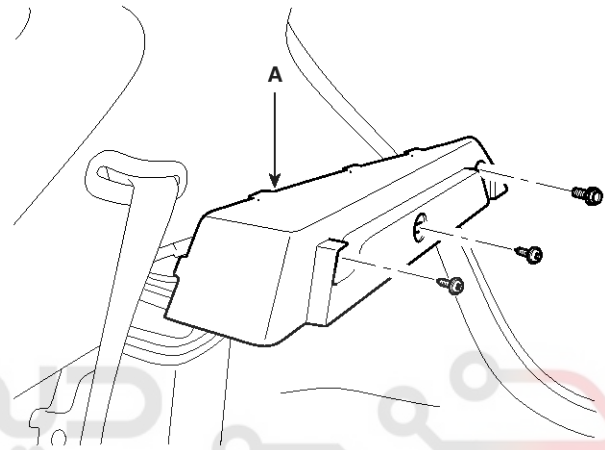
- Replace any damage clips.

Luggage Side Trim Replacement

1. Remove the rear seat.
2. Remove the rear seat belt lower anchor.
3. Remove the upper cover (A).

NOTICE

- Put on gloves to protect your hands.
- When prying with a flat-tipped screwdriver, wrap it with protective tape to prevent damaged.
- Take care not to bend or scratch the trim and panels.



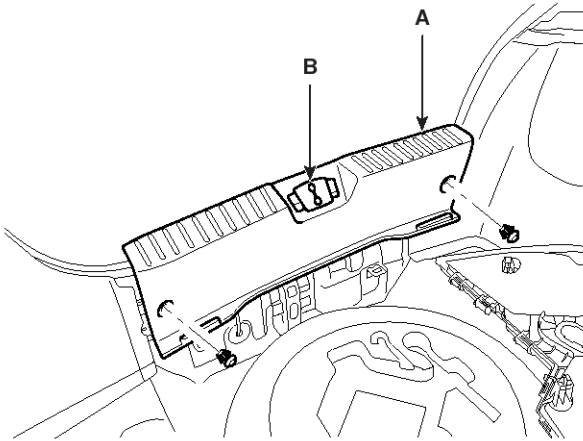
SFDBD7065L

اولین سامانه دیجیتال تعمیرکاران خودرو در ایران

Interior

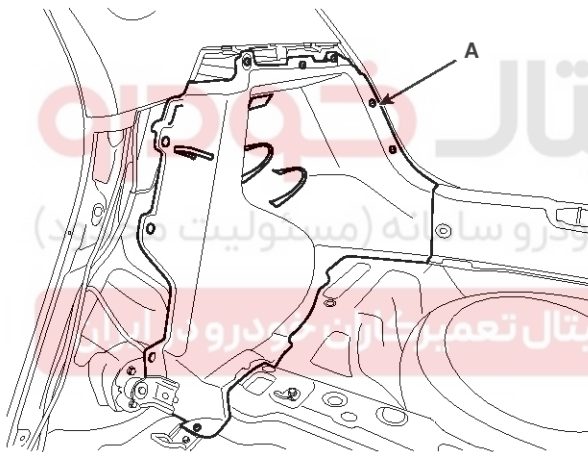
BD-71

4. Remove the striker cover (B).
5. Remove the transverse trim (A).



SFDBD7066L

6. After loosening the mounting screws and bolts, then remove the luggage side trim (A).



SFDBD7067L

7. Installation is the reverse of removal.

Luggage Side Trim Replacement (Wagon)

NOTICE

- Put on gloves to protect your hands.
- When prying with a flat-tip screwdriver, wrap it with protective tape to prevent damage.
- Take care not to bend or scratch the trim and panels.

1. Remove the luggage front covering trim (A).

SFDBD9400L

2. Remove the luggage covering trim (A).



SFDBD9401L

BD-72**Body (Interior and Exterior)**

3. Remove the rear seat assembly.
4. Remove the luggage side covering trim (A).

SFDBD9402L

5. Remove the luggage center tray (A).

SFDBD9403L

6. After removing the screws, remove the luggage side tray (A).

SFDBD9404L

7. Using a clip remover, detach clips and remove the transverse trim (A).

SFDBD9405L

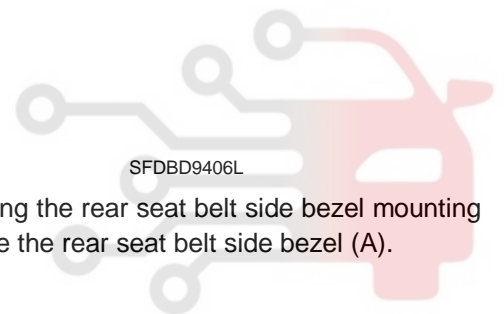
8. After loosening the rear seat belt mounting bolt, remove the rear seat belt lower anchor (A).

SFDBD9406L

9. After loosening the rear seat belt side bezel mounting bolts, remove the rear seat belt side bezel (A).

SFDBD9407L

10. After removing the screws, remove the door rear door scuff trim (A).



Interior

BD-73

SFDBD9408L

11. After removing the screws, remove the wheel house trim (A).

12. Using a clip remover, detach the clips.

13. After loosening the bolts, remove the luggage side trim (A).

SFDBD9410L

14. Installation is the reverse of removal.

دیجیتال خودرو

SFDBD9409L

شرکت دیجیتال خودرو سامانه (مسئولیت محدود)

اولین سامانه دیجیتال تعمیرکاران خودرو در ایران



BD-74

Body (Interior and Exterior)

Windshield Glass

COMPONENTS

دیجیتال خودرو

شرکت دیجیتال خودرو سامانه (مسئولیت محدود)

اولین سامانه دیجیتال تعمیرکاران خودرو در ایران



REPLACEMENT REMOVAL

NOTICE

SHDBD6155L

- Put on gloves to protect your hands.
 - Use seat covers to avoid damaging any surfaces.
1. Remove the following items:

Interior

BD-75

- Inside rear view mirror.
 - Sunvisors and holders, both sides, overhead console, Grab handles, both sides.
 - Front pillar trim, both sides.
 - Windshield wiper arms and cowl cover. (See page BE- "Windshield wiper")
2. Remove the molding (A) from the edge of the windshield (B). If necessary, cut the molding with a utility knife.

SHDBD6515D

5. Remove the windshield (B) carefully using the glass holder [A (09861-31100)].



SHDBD6604L

3. Pull down the front portion of the headliner. Take care not to bend the headliner excessively, or you may crease or break it.
4. Cut out the sealant using the sealant cutting tool [A(09861-31100)].

ASIE070D

INSTALLTION

1. With a knife, scrape the old adhesive smooth to a thickness of about 2mm (0.08 in.) on the bonding surface around the entire windshield opening flange:
 - Do not scrape down to the painted surface of the body; damaged paint will interfere with proper bonding.
 - Remove the rubber dam and fasteners from the body.
 - Mask off surrounding surfaces before painting.
2. Clean the body bonding surface with a sponge dampened in alcohol. After cleaning, keep oil, grease and water from getting on the clean surface.
3. Apply the glass primer (A) to the side of the windshield glass edge and stick the both-sided adhesive tape (B) on the inside of molding (C).

BD-76**Body (Interior and Exterior)**

4. When attaching the molding, make it in line (D) with the windshield glass and attach the windshield glass pad (E) to the designated place.

properly, causing a leak after the windshield glass is installed.

- Do not apply body primer to the glass.
- Keep water, dust, and abrasive materials away from the primer.

دیجیتال خودرو
شرکت دیجیتال خودرو سامانه (مسئولیت محدود)

ESQE300M

5. Install the spacer (A) install the windshield glass (B) temporarily with making sure to position them on the center, and then place the alignment mark (C).
6. Remove the windshield.

8. With a sponge, apply a light coat of body primer to the original adhesive remaining around the windshield opening flange. Let the body primer dry for at least 10 minutes:

- Do not apply glass primer to the body, and be careful not to mixup glass and body primer sponges.
- Never touch the primed surfaces with your hands.
- Mask off the dashboard before painting the flange.

ESQE433D

SHDBD6513D

7. Apply a light coat of glass primer to the outside of the fasteners.

NOTICE

- Never touch the primed surface with your hand. If you do, the adhesive may not bond to the glass

SHDBD6603L

9. Pack adhesive into the cartridge without air pockets to ensure continuous delivery. Put the cartridge in a caulking gun, and run a bead of sealant (A) around the edge of the windshield (B) between the fastener and molding as shown. Apply the adhesive within 30 minutes after applying the glass primer. Make a

Interior

BD-77

slightly thicker bead at each corner.

used within the first four, it must be driven slowly.

- Keep the windshield dry for the first hour after installation.

13. Reinstall all remaining removed parts. Install the rearview mirror after the adhesive has dried thoroughly. Advise the customer not to do the following things for two the three days:

- Slam the door with all the windows rolled up.
- Twist the body excessively (such as when going in and out of driveways at an angle or driving over rough, uneven roads).

ESQE300W

10. Use glass holder (A) to hold the windshield over the opening, align it with the alignment marks (B) made in step 15, and set it down on the adhesive. Lightly push on the windshield until its edges are fully seated on the adhesive all the way around. Do not open or close the doors until the adhesive is dry.



اولین سامانه دیجیتال تعمیرکاران خودرو در ایران

SHDBD6514D

11. Scrape or wipe the excess adhesive off with a putty knife or towel. To remove adhesive from a painted surface or the windshield, wipe with a soft shop towel dampened with alcohol.

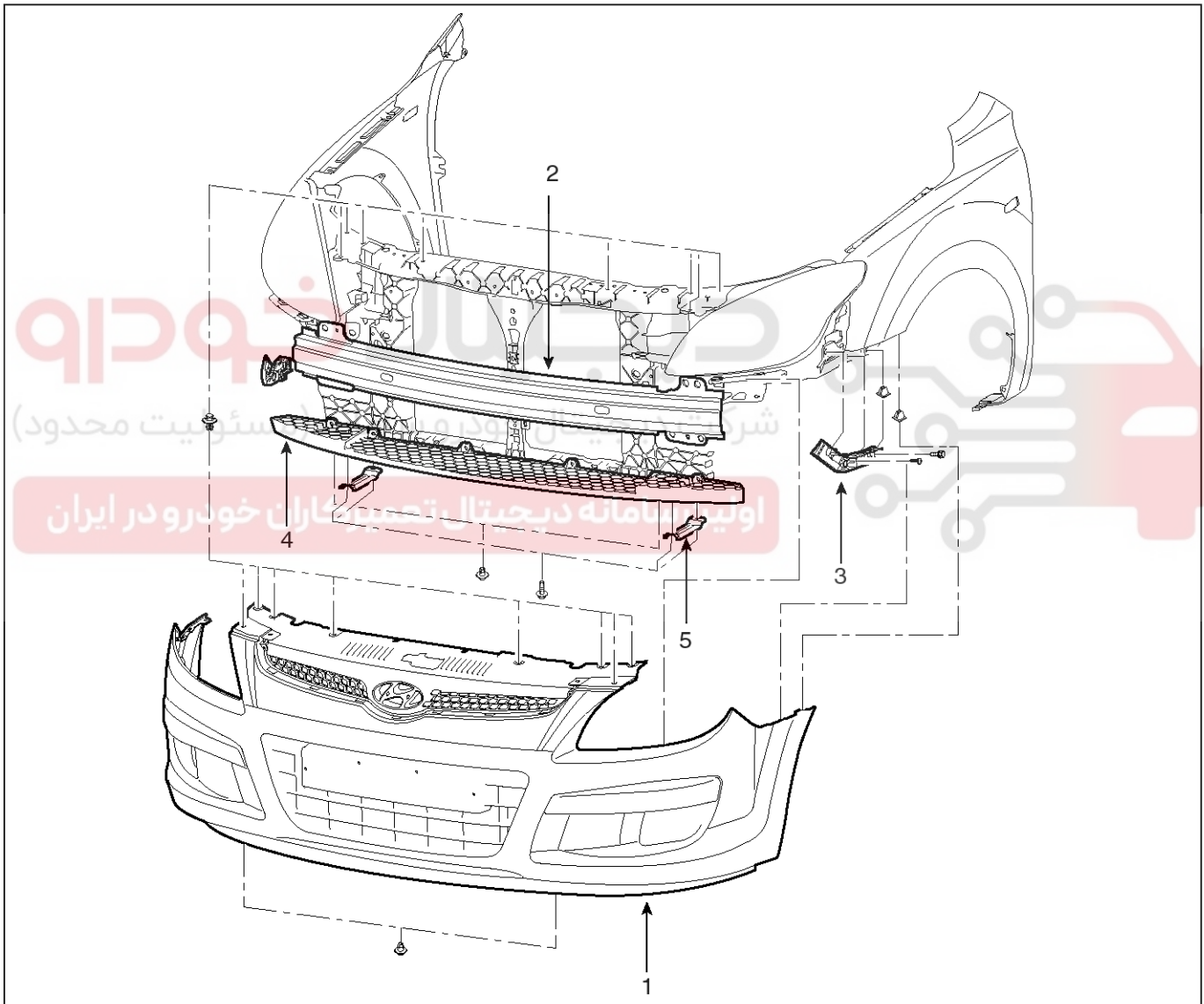
12. Let the adhesive dry for at least one hour, then spray water over the windshield and check for leaks. Make leaking areas, and let the windshield dry, then seal with sealant:

- Let the vehicle stand for at least four hours after windshield installation. If the vehicle has to be

BD-78**Body (Interior and Exterior)****Bumper****Front Bumper****Replacement****NOTICE**

- Put on gloves to protect your hands.
- When prying with a flat-tip screwdriver, wrap it with protective tape to prevent damage.
- Take care not bend or scratch the cover and other parts.

1. Remove the front bumper.
2. Installation is the reverse of removal.



1. Front bumper cover
2. Front bumper beam
3. Bumper side bracket

4. Front bumper lower stiffener
5. Front bumper lower stay bracket

SFDBD8189L

Bumper

BD-79

Rear Bumper

Replacement

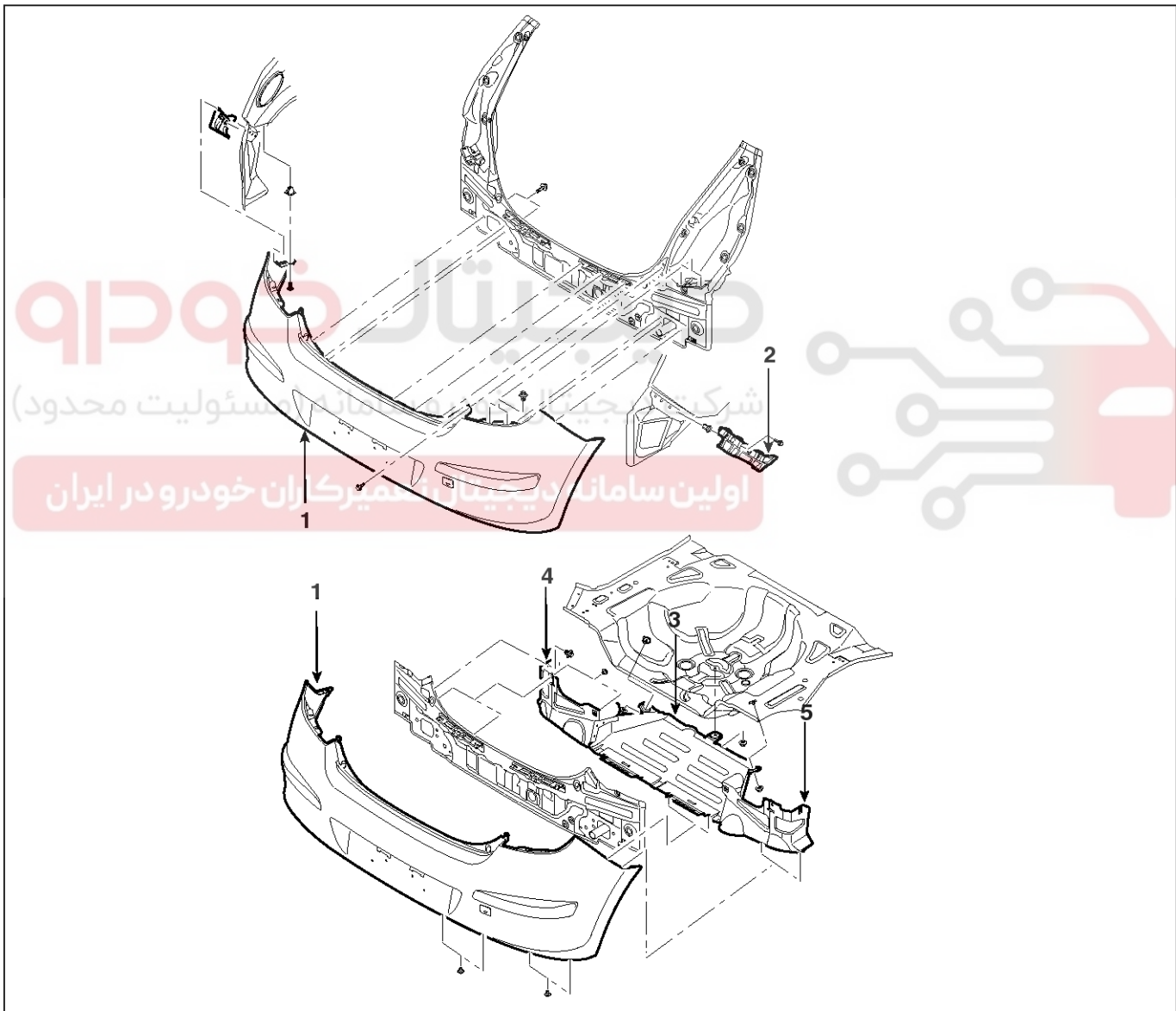
NOTICE

- After remove the rear combinati0n lamp.
- When prying with a flat-tip screwdriver, wrap it with protective tape, and apply protective tape around the related parts your hands.
- Put on gloves to protect your hands.
- Take care not bend or scratch the cover and other parts.

1. Loosen the rear bumper cover screws and clips.
2. Remove the rear bumper cover.
3. Installation is the reverse of removal.

NOTICE

- Replace any damage clips.



1. Rear bumper cover
2. Rear bumper side bracket
3. Rear bumper under cover

4. Rear bumper under side cover
5. Rear bumper under side cover

SFDBD8190L

BD-80

Body (Interior and Exterior)

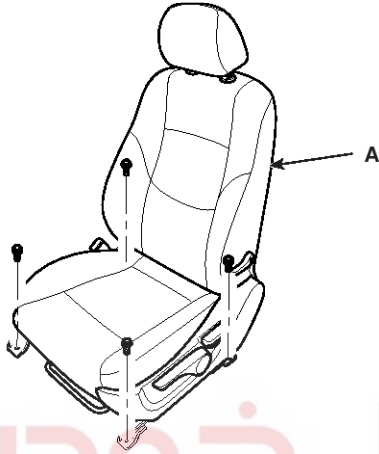
Seat & Power Seat

Front Seat

Replacement

Seat Assembly Replacement

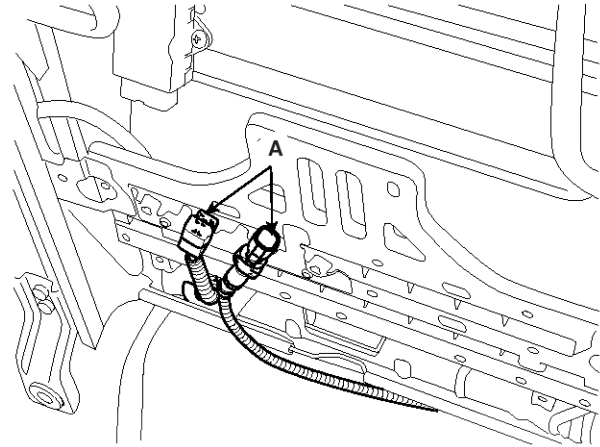
1. Remove the seat assembly mounting cover.
2. After loosening the seat assembly mounting bolts, remove the seat assembly (A).



SFDBD7069L

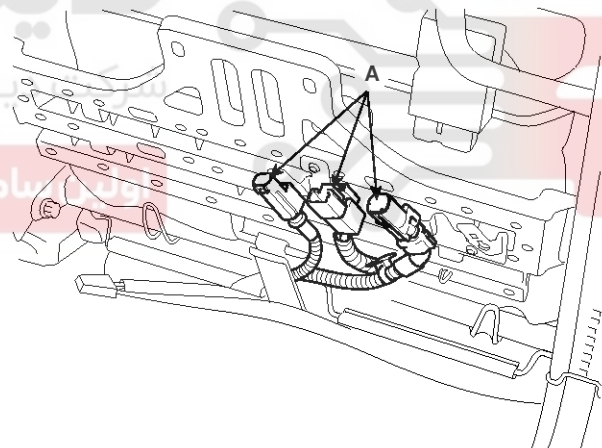
3. Disconnect the connectors (A), and remove the seat assembly.

Driver's



SFDBD7070L

Passenger's



SFDBD7071L

Seat & Power Seat

BD-81

4. Installation is the reverse of removal.

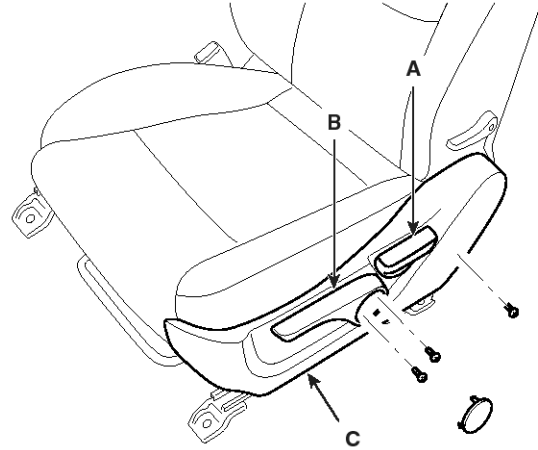
⚠ CAUTION

SEAT MOUNTING BOLT INSTALLATION PROCEDURE (manual seat only)

- Set the into the most rearward position. Check then each slide is locked, and then Tighten the front mounting bolt temporarily.
- Set the seat into most forward position. Check that each slide is locked, and then Tighten the rear mounting bolt completely.
- Set the seat into the most rearward position. Check the front mounting bolt completely.
- Check that the seat operates to and fro smoothly and the locking portion locks properly.

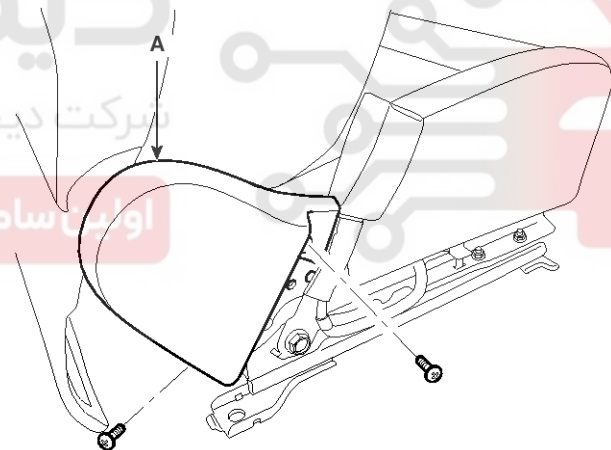
Recliner Cover Replacement

1. After loosening the recliner mounting screw, then remove the recliner lever (A) and height lever (B).
2. After loosening the mounting screws, then remove the recliner cover (C).



SFDBD7072L

3. Gently detach the hook, remove the recliner cover (A).



SFDBD7073L

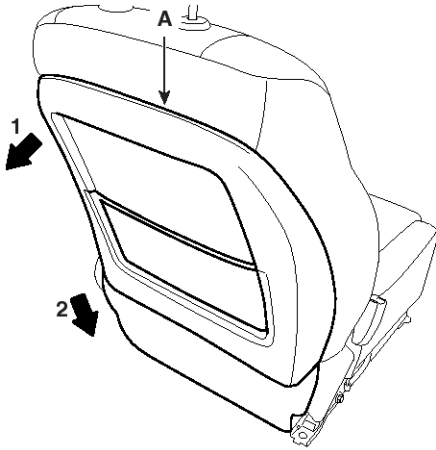
4. Installation is the reverse of removal.

BD-82

Body (Interior and Exterior)

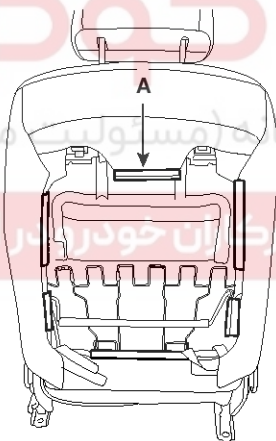
Seat Back Cover Replacement

1. Remove front seat assembly.
2. Remove the recliner cover .
3. After disconnecting the scuff band, remove the seat back panel.



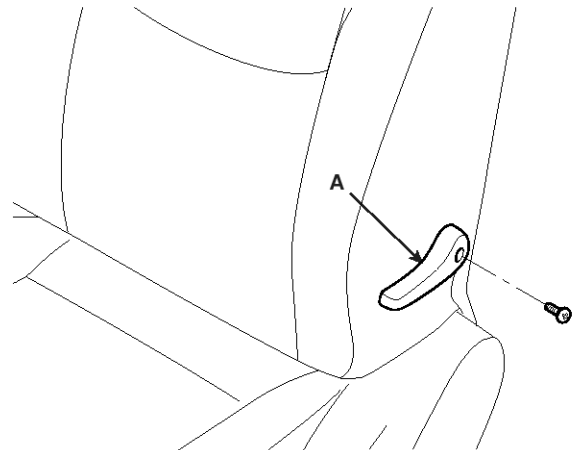
SFDBD7074L

4. Disconnect the protector (A) from the back frame.



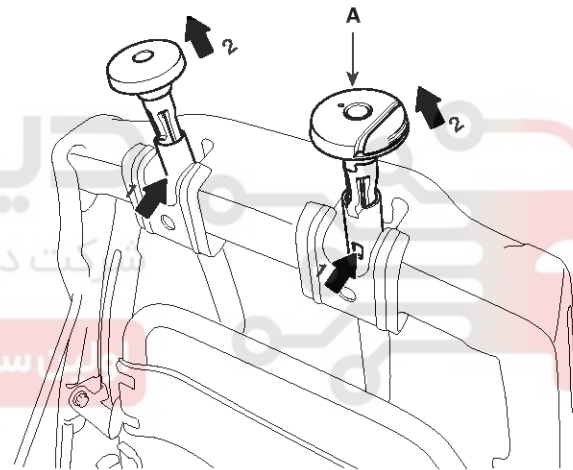
SFDBD7075L

5. Remove the lumbar sport lever (A).



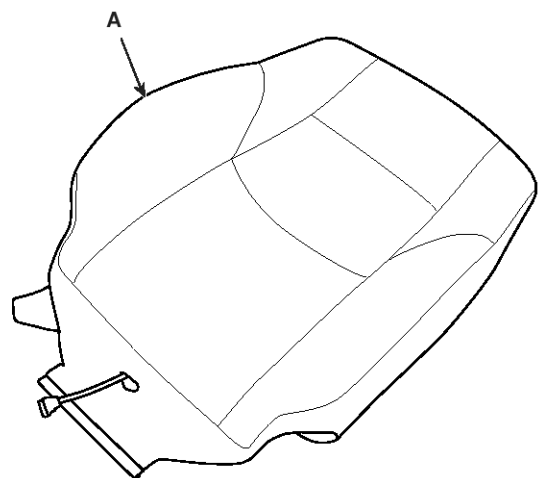
SFDBD7076L

6. Pull out the headrest guides (A) while pinching the end of the guides, and remove them.



SFDBD7077L

7. After removing the tape on the front of seat back remove the seat back cover (A).



SFDBD7078L

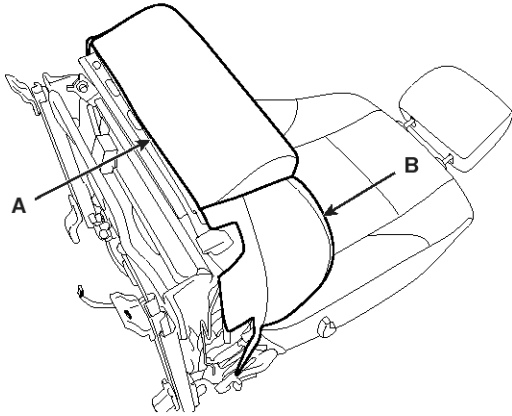
8. Installation is the reverse of removal.

Seat & Power Seat

BD-83

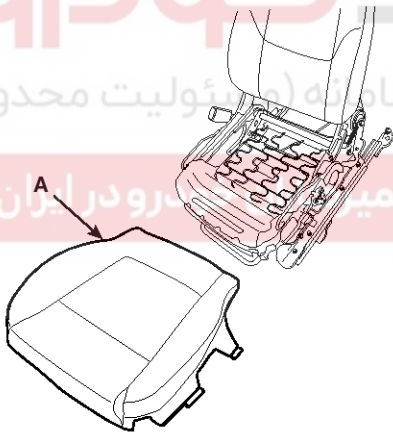
Seat Cushion Cover Replacement

1. Remove front seat assembly.
2. Remove the recliner cover.
3. After disconnect the protector (A), then remove the seat cushion (B).



SFDBD7079L

4. After removing the hogring clip on the front of seat cushion and remove the seat cushion cover (A).



SFDBD7080L

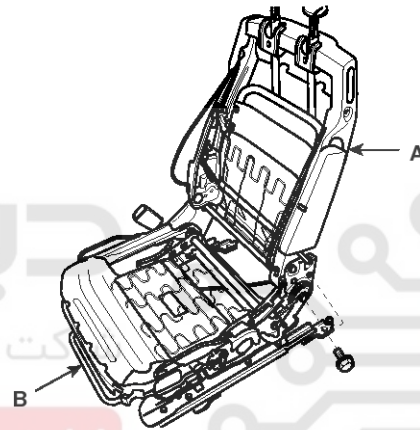
5. Installation is the reverse of removal.

Seat Frame Replacement

1. Remove the following items.
 - Recliner cover
 - Seat back panel
 - Headrest guide
 - Seat back cover
2. After loosening the mounting bolts, then disconnect the seat back frame (A) and seat cushion frame (B).

NOTICE

- Remove the side air bag for replacing side air bag installation seat.
- Be fore service, be fully aware of precautions and service procedure relevant to air bag (Refer to page RT-Airbag)

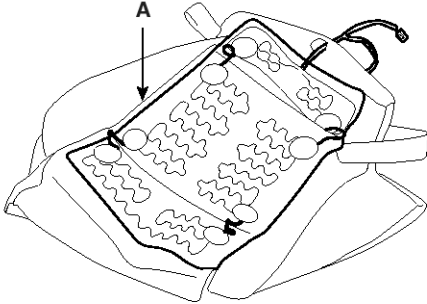


SFDBD7081L

3. Installation is the reverse of removal.

BD-84**Body (Interior and Exterior)****Seat Cushion Heater Replacement**

1. Remove the cushion heater (A).

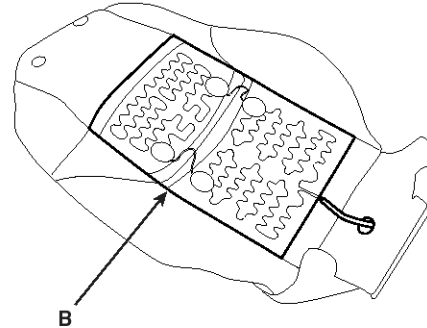


SFDBD7082L

2. Installation is the reverse of removal.

Seat Back Heater Replacement

1. Remove the back heater (A).



SFDBD7083L

2. Installation is the reverse of removal.

دیجیتال خودرو

شرکت دیجیتال خودرو سامانه (مسئولیت محدود)

اولین سامانه دیجیتال تعمیرکاران خودرو در ایران

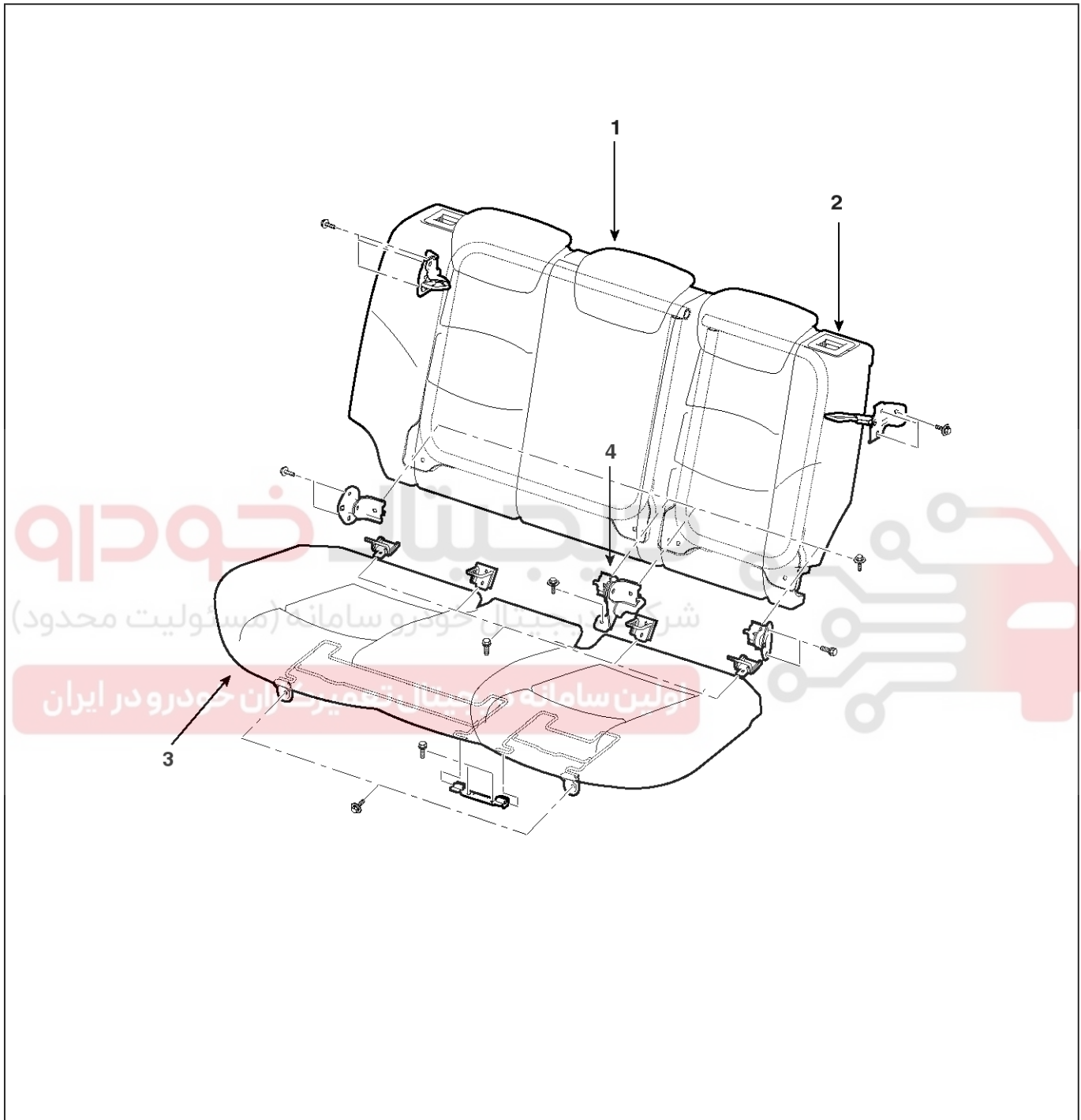


Seat & Power Seat

BD-85

Rear Seat

Components



1. Headrest

2. Rear seat back

3. Rear seat cushion

4. Mounting bracket

SFDBD8194L

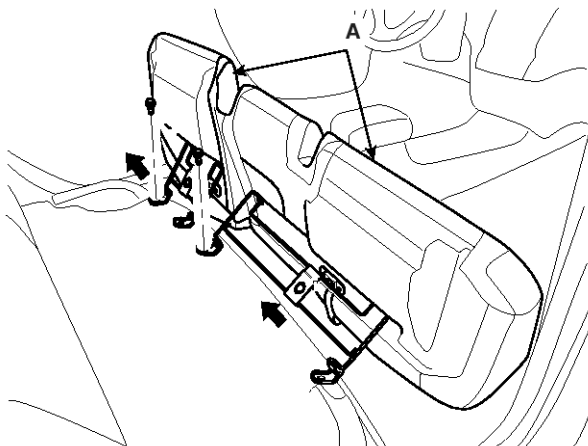
BD-86

Body (Interior and Exterior)

Replacement

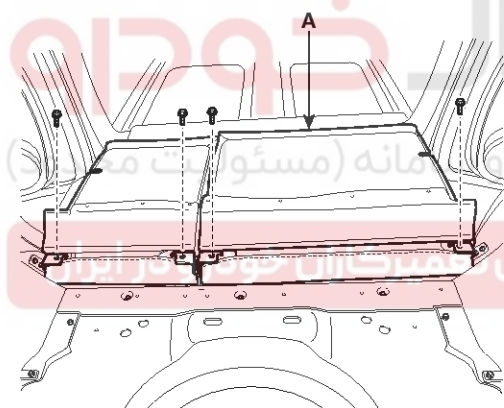
Seat Assembly Replacement

1. Remove the seat cushion (A).



SFDBD7084L

2. After loosening the mounting bolts, then remove the rear seat back (A).



SEDBD7082L

3. Installation is the reverse of removal.



Seat Belt

BD-87

Seat Belt

Front Seat Belt

Replacement

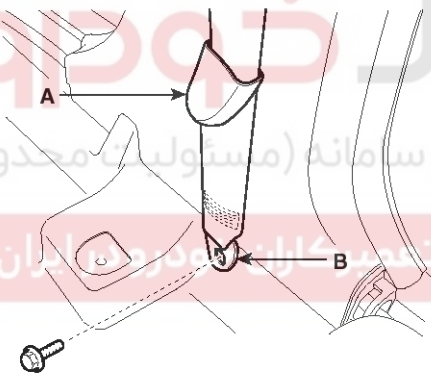
Front Seat Belt Replacement

⚠ CAUTION

- When installing the belt, make sure not to damage the pretensioner.

1. Disconnect the battery negative cable, and wait for at least three minutes before beginning work.
2. Remove the following items first.
 - Front seat assembly.
 - Door scuff trim.
3. After raise the lower anchor cover (A), loosen the lower anchor mounting bolt (B).

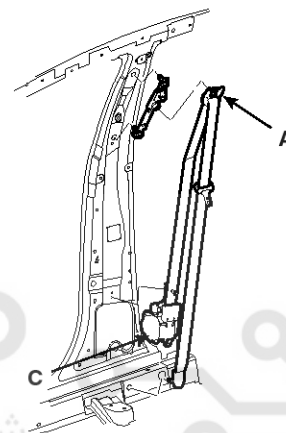
* Bolt, 4.0~5.5 kgf.m (39.2~53.9 N.m, 28.9~39.8 lbf.ft)



SEDBD7099L

4. Remove the center pillar lower trim.
5. Remove the center pillar upper trim .
6. Remove the upper anchor (A).
7. After disconnecting the pretensioner connector lock pin, Loosen the mounting bolt, then remove the pretensioner (C).

* Bolt, 4.0~5.5 kgf.m (39.2~53.9 N.m, 28.9~39.8 lbf.ft)



SEDBD7226D

BD-88

Body (Interior and Exterior)

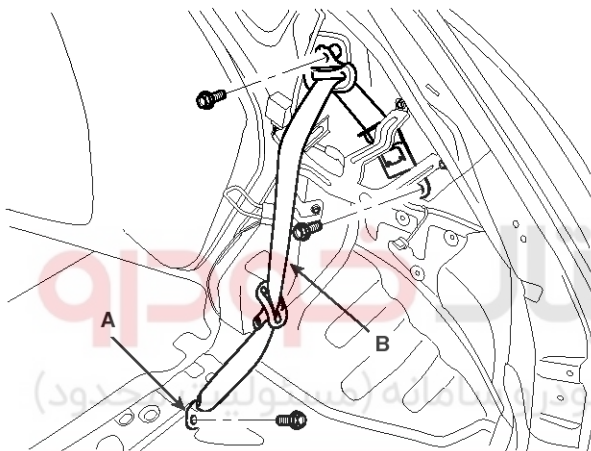
Rear Seat Belt Replacement

⚠ CAUTION

- When installing the belt, make sure not to damage the pretensioner.

1. Remove the following items first.
 - Rear seat assembly.
 - Rear door scuff trim.
 - Rear filler trim.
2. Remove the lower anchor (A).
3. After loosening the retractor (C) mounting bolt, remove the rear seat belt (B).

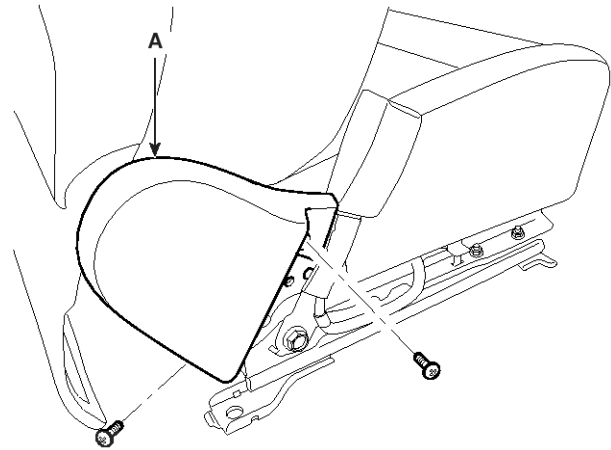
* Bolt, 4.0~5.5 kgf.m (39.2~53.9 N.m, 28.9~39.8 lbf.ft)



SFDBD7085L

Front Seat Belt Buckle Replacement

1. Remove the front seat assembly.
2. Remove the wire harness of buckle from seat.
3. Remove the seat belt buckle (A).
 - * Bolt, 4.0~5.5 kgf.m (39.2~53.9 N.m, 28.9~39.8 lbf.ft)



SFDBD7073L

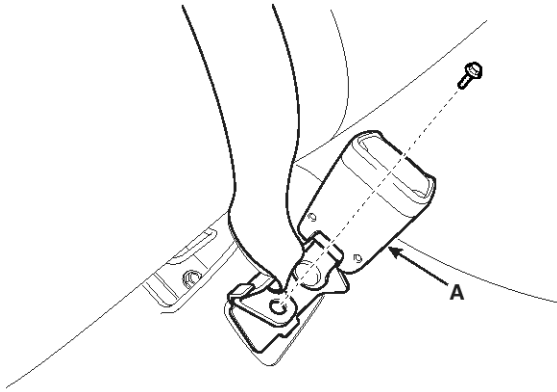
4. Installation is the reverse of removal.

Seat Belt

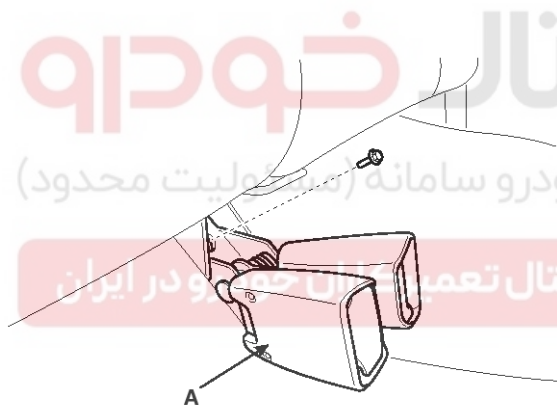
BD-89

Rear Seat Belt Buckle Replacement

1. Remove the rear seat cushion
2. Remove the seat belt buckle (A).
 - * Bolt, 4.0~5.5 kgf.m (39.2~53.9 N.m, 28.9~39.8 lbf.ft)



SEDBD7100L

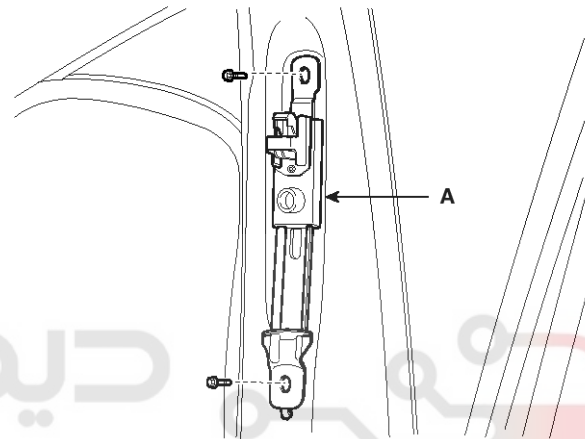


SEDBD7101L

3. Installation is the reverse of removal.

Hight Adjuster Replacement

1. Remove the following items first.
 - Front seat assembly.
 - Door scuff trim.
 - Front seat belt.
 - Center pillar trim.
2. After loosening the mounting bolt, then remove the height adjuster (A).
 - * Bolt, 4.0~5.5 kgf.m (39.2~53.9 N.m, 28.9~39.8 lbf.ft)



SEDBD7095L

3. Installation is the reverse of removal.