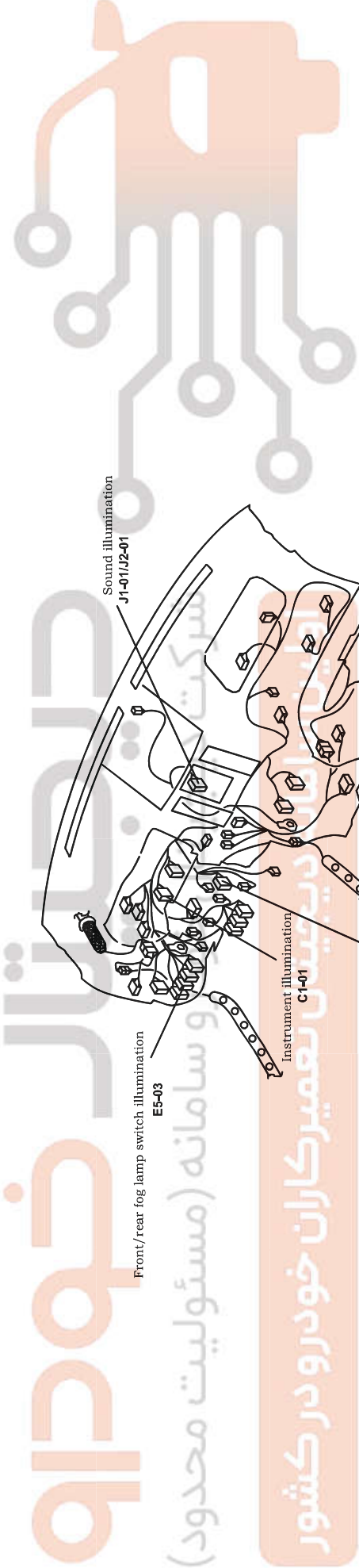


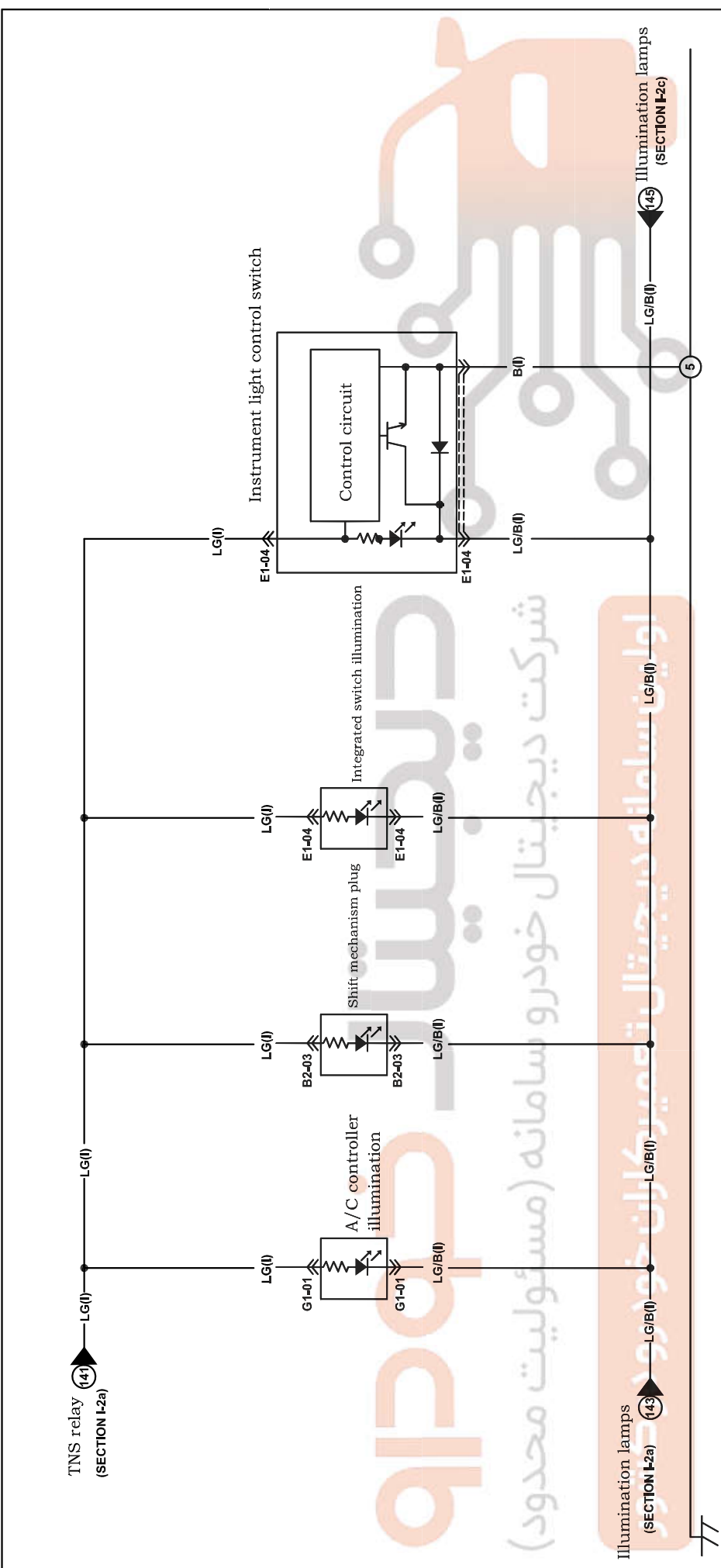
Harness mark:  (F)  (E)  (D)  (R)



و سامانه (مسئولیت محدود)

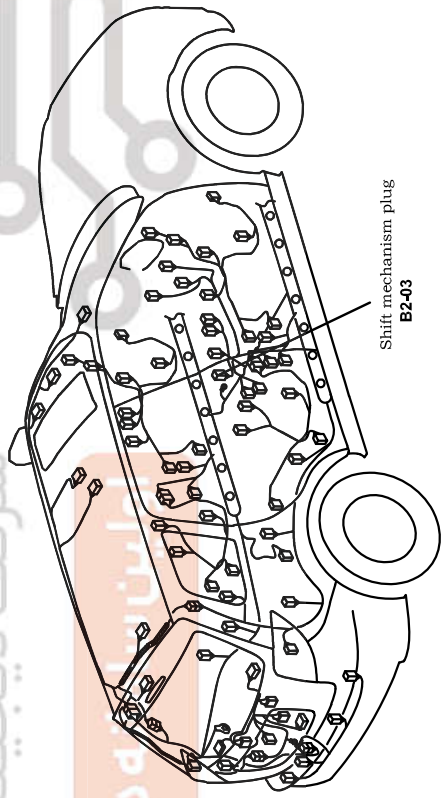
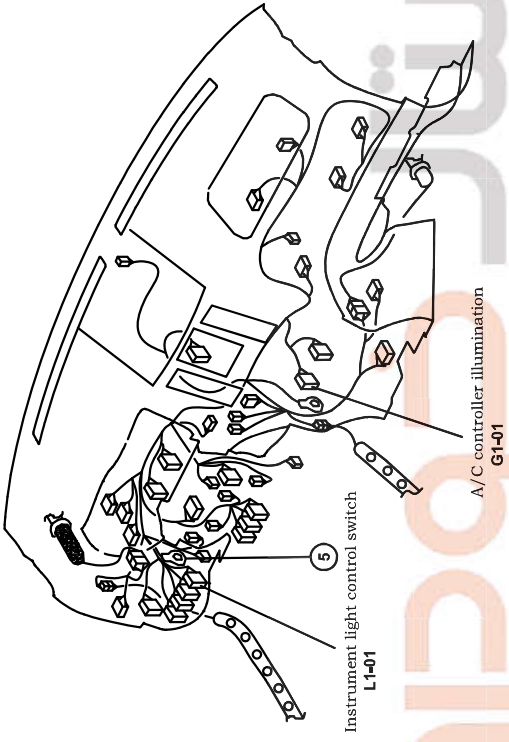
دینامیک تعمیرکاران خودرو در کشور

Illumination lamp



<p>G1-01 A/C controller illumination (I) () with ESP</p> <table border="1" style="margin-left: auto; margin-right: auto;"> <tr> <td>D1</td> <td>LG</td> <td>L/R</td> <td>L/W</td> <td>R/G</td> <td>L</td> <td>O</td> <td>R/B</td> <td>W/R</td> <td>*</td> <td>GR/L</td> </tr> <tr> <td>D10</td> <td>LG/B</td> <td>V</td> <td>Y/B</td> <td>W/L</td> <td>R/L</td> <td>Y</td> <td>Y/G</td> <td>L/Y</td> <td>*</td> <td></td> </tr> <tr> <td>D20</td> <td></td> <td></td> <td></td> <td></td> <td></td> <td></td> <td></td> <td></td> <td>*</td> <td></td> </tr> </table>	D1	LG	L/R	L/W	R/G	L	O	R/B	W/R	*	GR/L	D10	LG/B	V	Y/B	W/L	R/L	Y	Y/G	L/Y	*		D20									*		<p>L1-01 Instrument light control switch (I)</p> <table border="1" style="margin-left: auto; margin-right: auto;"> <tr> <td>S</td> <td>Q</td> <td>O</td> <td>M</td> <td>K</td> <td>I</td> <td>G</td> <td>E</td> <td>C</td> <td>A</td> </tr> <tr> <td>R/B</td> <td>LG</td> <td>LG/B</td> <td>L/W</td> <td>L</td> <td>L/O</td> <td>L/B</td> <td>V</td> <td>R/G</td> <td>R/Y</td> </tr> <tr> <td>B</td> <td>P</td> <td>G/B</td> <td>R/P/L</td> <td>W</td> <td>*</td> <td>*</td> <td>*</td> <td>*</td> <td>B</td> </tr> <tr> <td>T</td> <td>R</td> <td>P</td> <td>N</td> <td>L</td> <td>J</td> <td>H</td> <td>F</td> <td>D</td> <td>B</td> </tr> </table>	S	Q	O	M	K	I	G	E	C	A	R/B	LG	LG/B	L/W	L	L/O	L/B	V	R/G	R/Y	B	P	G/B	R/P/L	W	*	*	*	*	B	T	R	P	N	L	J	H	F	D	B	<p>B2-03 Shift mechanism plug (I)</p> <table border="1" style="margin-left: auto; margin-right: auto;"> <tr> <td>LG</td> <td></td> <td>Y</td> <td>B/Y</td> <td>A</td> </tr> <tr> <td>LG/B</td> <td>*</td> <td>G/R</td> <td>O/B</td> <td>B</td> </tr> </table>	LG		Y	B/Y	A	LG/B	*	G/R	O/B	B
D1	LG	L/R	L/W	R/G	L	O	R/B	W/R	*	GR/L																																																																											
D10	LG/B	V	Y/B	W/L	R/L	Y	Y/G	L/Y	*																																																																												
D20									*																																																																												
S	Q	O	M	K	I	G	E	C	A																																																																												
R/B	LG	LG/B	L/W	L	L/O	L/B	V	R/G	R/Y																																																																												
B	P	G/B	R/P/L	W	*	*	*	*	B																																																																												
T	R	P	N	L	J	H	F	D	B																																																																												
LG		Y	B/Y	A																																																																																	
LG/B	*	G/R	O/B	B																																																																																	

Harness mark: [] (F) [] (E) [] (D) [] (R)



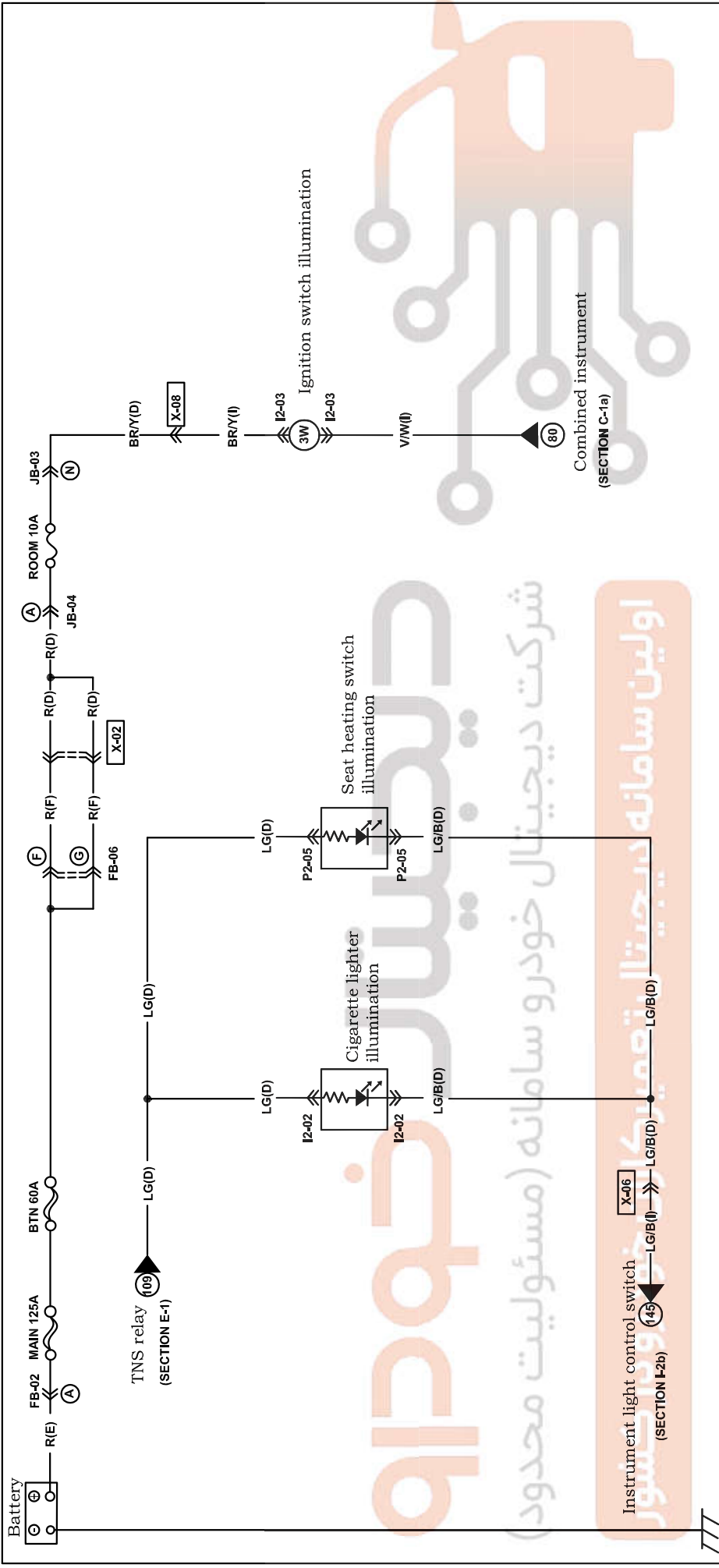
دیجیتال خودرو

شرکت دیجیتال خودرو سامانه (مسئولیت محدود)

تعمیرکاران خودرو در کشور

78 Illumination lamp

I-2C



<p>I2-02 Cigarette lighter illumination (D)</p>	<p>I2-03 Ignition switch illumination (I)</p>	<p>P2-05 Seat heating switch (D)</p>				
<p>F1-01 Hazard warning lamp switch illumination (I)</p>						