

## Body Structure

### Engine Cover and Doors

#### Precautions:

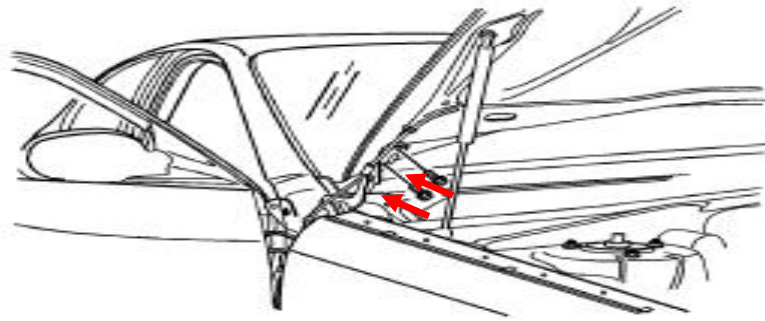
- When removing and installing a component, avoid damage or scratch.
- When removing a clip from a trim part, wrap head of flat screwdriver with cloth.
- When installing body trims, firstly make sure their clips have been installed in plate holes on body firmly, and then press them in carefully.
- When removing and installing large parts and components, have two persons work together so as to avoid dropping.
- When removing and installing some rubber trims, please do not use excessive force.

#### Engine Hood Assembly

##### 1. The Replacement of Engine Compartment Hood

##### 1) Removal

- ① Open and support the engine compartment hood by a serviceman
  - ② Mark the relative position of the hinge to the engine compartment, in order to locate when installing.
  - ③ The second serviceman uses 10 and 12 of socket or wrench to remove the fixed bolt, connecting one side of the Engine Compartment hood and Hinge, and lift engine compartment hood by hands to avoid the surrounding parts.
  - ④ The third serviceman uses No. 10 and No. 12 socket or wrench to remove the fixed bolt, connecting the other side of the Engine Compartment hood and Hinge
- By the cooperation of these three persons, the engine compartment hood is removed from the hinge.



Tightening torque: 9~11 N.m, 16.7~25.5N.m

2) Installation.

Installing shall accord with the reversed order of removal.

2. The replacement of engine hood rod

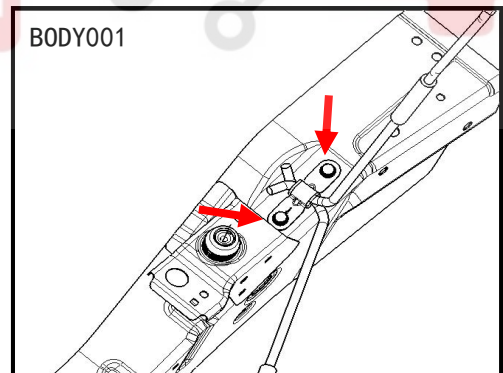
**Caution:**

■ When removing or installing an engine hood rod, additional support must be used to avoid vehicle damage or personal injury.

1) Removal

① Open and support engine hood.

② Remove the two bolts in rod with 10 of socket or wrench.



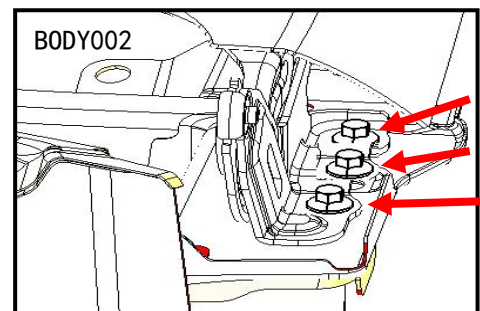
③ Remove the ball pin of support rod, and take off the rod.

■ Tightening torque: 9~11 N.m

2) Installation.

Installing shall accord with the reversed order of removal.

3. The Replacement of the Hinge of Engine Compartment Hood



## 1) Removal

① Removing engine compartment cover,

please refer to The Replacement of Engine Compartment Hood

② Use No. 10 socket or wrench to remove and assembly the two fixed bolts on fender.

③ Use No. 10 and 12 socket or wrench to remove the fixed bolts, bolting the hinge and the body.

## 2) Installation

Installation is the reversed order of removal.

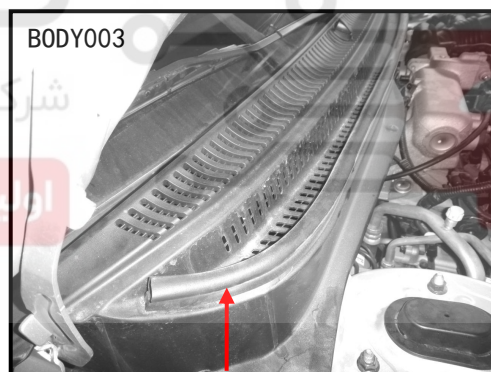
■ Tightening torque: 16.7~25.5 N.m

## 4. The Replacement of weather strip:

## 1) Removal

① Use hand or tool to lever up one end of weather strip.

② Remove weather strips.

**Caution:**

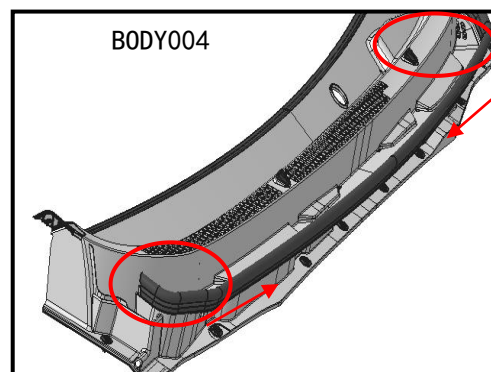
■ To remove it, do not pull hard.

## 2) Installation.

① Firstly, install two ends of the strip, sticking to the ventilation cap through the diagonal cut

② Install it in the card slot on the ventilation cap from two ends to the middle.

③ Use a rubber hammer to knock on the weather strip to fix it well.



BODY-3

**Caution:**

■ To install, do not apply too much strength to knock on the weather strip with the rubber hammer in case of damaging it.

## 5. The Replacement of weather strip on the front engine hood:

## 1) Removal

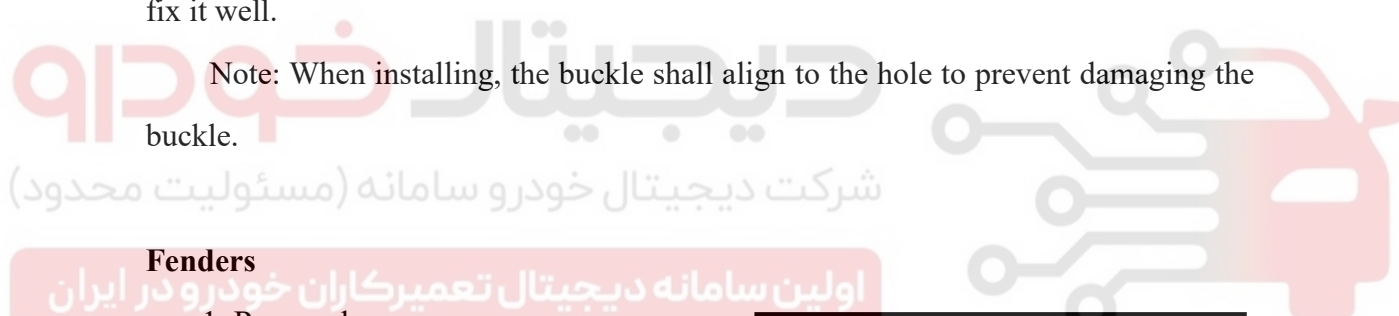
- ① Use the tool to remove buckles and weather strip in sequence.



## 2) Installation.

① Connect the buckles of weather strip to mounting holes on the inner board to fix it well.

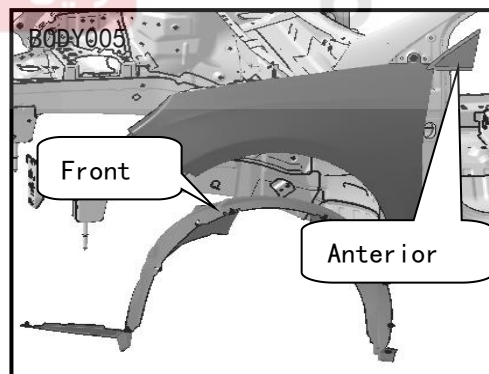
Note: When installing, the buckle shall align to the hole to prevent damaging the buckle.

**Fenders**

اولین سامانه دیجیتال تعمیرکاران خودرو در ایران

## 1. Removal:

- ① Remove front wheel cover.  
 ② Remove front bumper.  
 ③ Interior triangular cover board



- ④ Use No. 10. socket of 6 angles to remove 8 combination bolts in the fender.

**Caution:**

■ Follow the same way to remove and install door assemblies.  
 ■ When remove and install a door assembly, protective measures should be taken to avoid door and body scratches.

■ After a door assembly is installed, be sure to perform fitting adjustment to

make sure it can be opened/closed normally, at the same time, heads of hinge assembly bolts shall be repainted (body color).

- Check rotating parts of hinges for poor lubrication. If necessary, apply “grease”.

- Door components are heavy, so have several persons work together during removal.

## 2) Installation

Installation is the reversed order of removal.

### The replacement of front door assembly:

#### 1. The replacement of front door limiting stopper

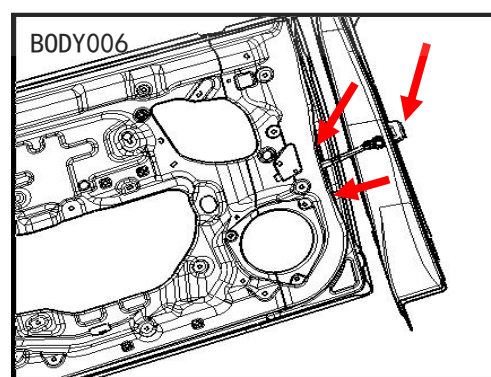
##### 1) Removal

① Use No. 12 socket to remove the fixing bolts, connecting the body and the limiting stopper. .

- Tightening torque: 16.7~25.5 N.m

② Use No. 10 socket or wrench to remove the two fixing bolts, connecting the door and the limiting stopper. .

- Tightening torque: 7.8~11.8 N.m



##### 2) Installation

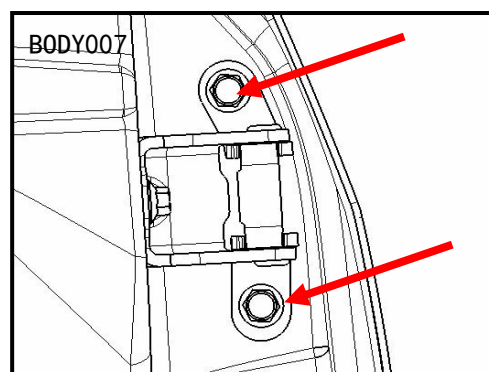
Installation is the reversed order of removal.

#### 2. The replacement of front door assembly

##### 1) Removal

① The replacement of door limiting stopper, please refer to The replacement of front door limiting stopper

② Use No. 12 wrench to remove the fixed bolts, connecting the hinge and the door.



■ Tightening torque: 16.7~25.5 N.m

**Caution:**

■ Remove in steps, never loosen at a time.

■ Remove from bottom to top.

③ Unplug door harness rubber sleeve and disconnect door electrical connector.

④ With a helper's aid, lift off door and put it at an appropriate place.

2) Installation.

Installing shall accord with the reversed order of removal.

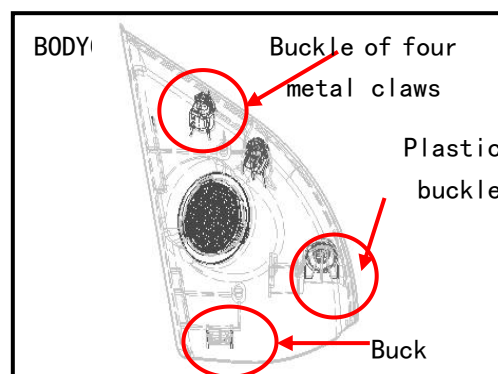
**Caution:**

■ Tighten in steps when installing, never tighten at a time.

3. The replacement of the interior trimming panel of front door:

1) Removal

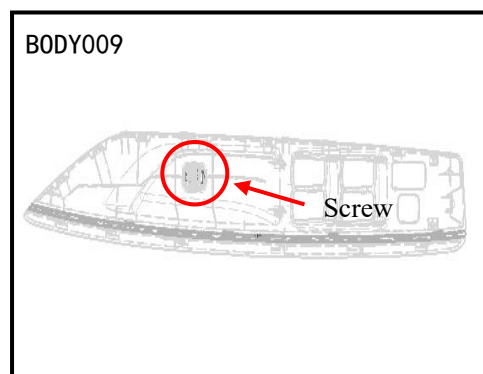
① Open the front door, first use a slotted screwdriver to pry a buckle of four metal claws and a plastic buckle on the triangular window with rear-view mirror remove the buckle connecting the bottom and the door trim assembly and disconnect the plug of the rear-view mirror.



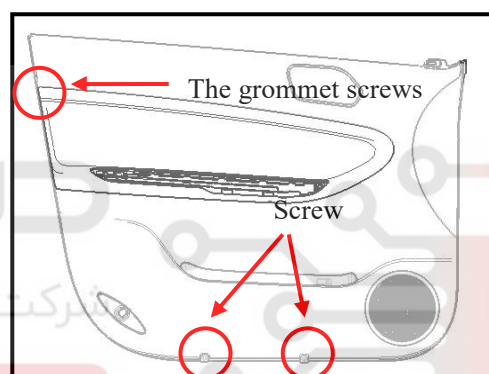
BODY-6

② Loosen the fixed bolts in the rear door internal handle, and remove internal handle, please refer to “The replacement of front door inner handle”.

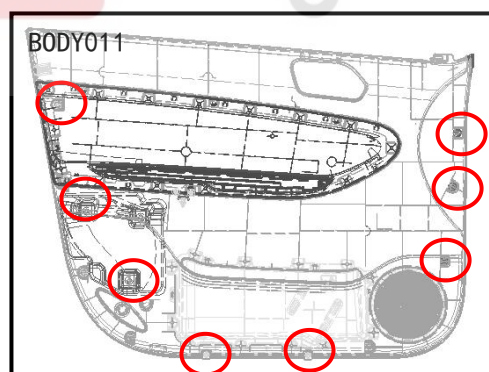
③ Use a slotted screwdriver to pry up the bolt cover on the armrest panel and then use a Phillips screwdriver to unscrew the captive bolt; use a slotted screwdriver to pry up the buckle claw between front armrest panel and door trim assembly, remove the armrest panel, and disconnect the connector of the switch assembly



④ Use a Phillips screwdriver to unscrew two fixed bolts in front door interior trim panel and a grommet screw.



⑤ Use a slotted screwdriver to pry up the 8 buckles on the front door interior trim panel, and take off the front door interior trim panel from the inside rubber strip.



⑥ Remove the dragline of the front door inner handle, please refer to The replacement of front door inner handle.

⑦ Disconnect the front door light harness plug, please refer to "The replacement of front door light.

⑧ Remove front door inner trim panel

2) Installation

First, connect door light wire harness and inner handle dragline, then align the

door trim panel fixed clip to the holes in the metal plate of the door, and press down firmly in sequence. Tighten three screws.

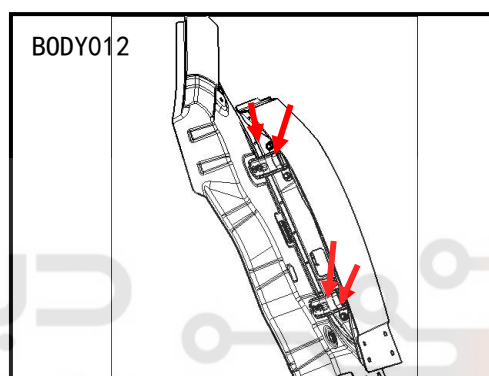
#### 4. The replacement of front door hinge

##### 1) Removal

① The removal of front door assembly, please refer to The replacement of front door assembly

② Use No.10 wrench to remove the fixed bolts, connecting the hinge and the body.

■ Tightening torque: 9~11 N.m



##### 2) Installation

Installing shall accord with the reversed order of removal.

#### 5. The replacement of waterproof film of front door:

##### 1) Removal

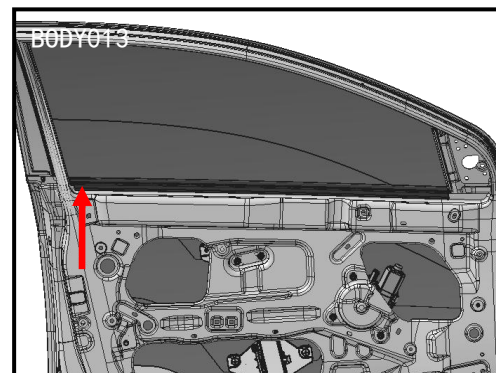
- ① Remove door trim panel.
- ② Disconnect clip securing harness.
- ③ Separate waterproof film and take it off.

##### 2) Installation.

Installation is the reversed order of removal.

##### Caution:

- Do not touch adhesive surface so as to avoid impairing re-bonding effect.
- When taking waterproof film, take care to avoid damage to it.



#### 6. The replacement of inside rubber strip of front door

BODY-8



## 1) Removal

- ① Remove door trim panel. Refer to "Front door trim panel replacement:
- ② Use hand to take one end, and then both hands slowly take off inside rubber strip of front door

**Caution:**

■ Please do not apply excessive force during removal, otherwise it may result in parts deformation.

## 2) Installation.

- ① Align the inside rubber strip of front door to B pillar card slot, maintaining clearance 1 ~2 MM; first install the rear end, and then slowly place the inside rubber strip of front door into position.

**The replacement of rear door assembly:**

## 1. The replacement of rear door limiting stopper

## 1) Removal

- ① Use No. 12 socket to remove the fixing bolts, connecting the body and the limiting stopper. .

■ Tightening torque: 16.7~25.5 N.m

- ② Use No. 10 socket or wrench to remove the two fixing bolts, connecting the door and the limiting stopper. .

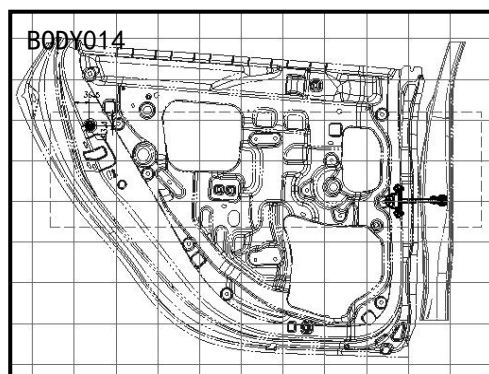
■ Tightening torque: 7.8~11.8 N.m

## 2) Installation.

Installation is in the reversed order of removal.

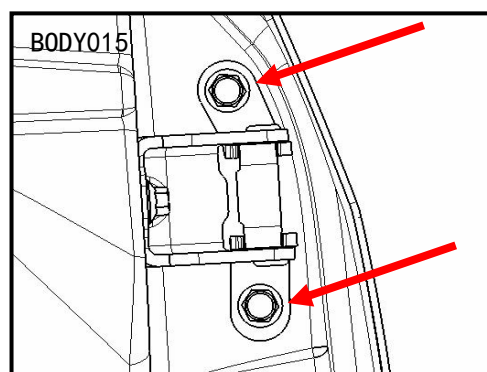
## 2. The replacement of rear door assembly

## 1) Removal



① The removal of door limiting stopper, please refer to The replacement of front door limiting stopper

② Use No. 12 wrench to remove the fixed bolts, connecting the hinge and the door.



■ Tightening torque: 16.7~25.5 N.m

**Caution:**

■ Remove in steps, never loosen at a time.

■ Remove from bottom to top.

③ Unplug door harness rubber sleeve and disconnect door electrical connector.

④ With a helper's aid, lift off door and put it at an appropriate place.

2) Installation.

Installing shall accord with the reversed order of removal.

**Caution:** اولین سامانه دیجیتال تعمیرکاران خودرودر ایران

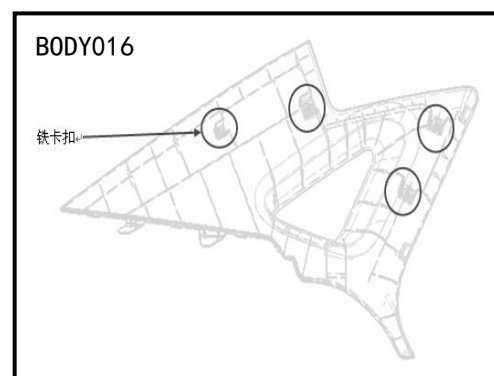
Tighten in steps when installing, never tighten at a time.

3. The replacement of the interior trimming panel of rear door:

1) Removal

① Open the front door, first use a slotted screwdriver to pry three buckles on the triangular window with rear-view mirror and then pull out the triangular board with strength.

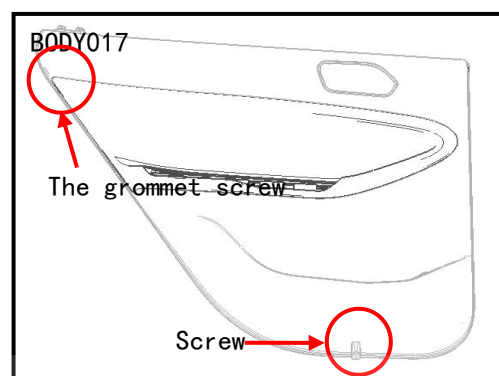
② Unscrew the fixed bolts in the rear door inner handle, and remove inner handle, please refer to “The replacement of front door inner handle”.



③ Use a slotted screwdriver to pry up the bolt cover on the armrest panel and then use a Phillips screwdriver to unscrew the captive bolt; use a slotted

screwdriver to pry up the buckle claw between front armrest panel and door trim assembly, remove the armrest panel, and disconnect the connector of the switch assembly

④ Use a Phillips screwdriver to unscrew a grommet screw and a bolt in the bottom in sequence.



⑤ Use a slotted screwdriver to pry up the rear door interior trim panel, and take off the rear door interior trim panel from the inside rubber strip.

⑥ Remove the dragline of the rear door inner handle, please refer to The replacement of rear door inner handle.

⑦ Disconnect glass elevator switch harness connector, please refer to The replacement of rear door glass elevator switch.

⑧ Remove rear door inner trim panel

## 2) Installation

First, connect door light wire harness and inner handle dragline, then align the door trim panel fixed clip to the holes in the metal plate of the door, and press down firmly in sequence. Tighten two screws.

## 4. The replacement of rear door hinge

### 1) Removal

① The removal of rear door assembly, please refer to The replacement of rear door assembly

② Use No. 12 wrench to remove the fixed bolts, connecting the hinge and the body.

■ Tightening torque: 16.7~25.5 N.m.



## 2) Installation

Installing shall accord with the reversed order of removal.

## 5. The replacement of rear door waterproof film:

### 1) Removal

- ① Remove rear door interior trim panel.
- ② Disconnect clip securing harness.
- ③ Separate waterproof film and take it off.

### 2) Installation.

Installation is the reversed order of removal.

### Caution:

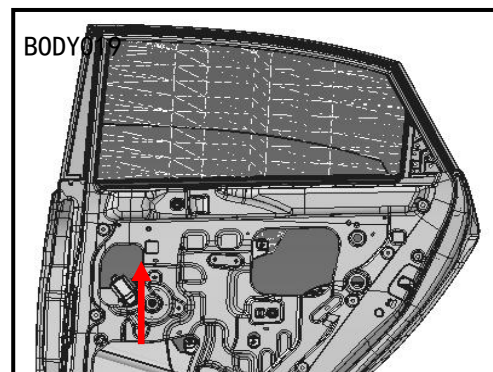
- When assembling the waterproof film, do not allow it to cover clip pilot holes on door trim.
- Do not touch adhesive surface so as to avoid impairing re-bonding effect.

## 6. The replacement of inside rubber strip of rear door

### 1) Removal

#### 1. Remove door trim panel.

- ① Refer to The replacement of the interior trimming panel of rear door:
- ② Use hand to take one end, and then both hands slowly, take off inside rubber strip of rear door.



### Caution:

- Please do not apply excessive force during removal, otherwise it may result in

parts deformation.

## 2) Installation.

① Align the inside rubber strip of rear door to B pillar card slot, maintaining clearance 1 ~2 MM; first install the front end, and then slowly place the inside rubber strip of rear door into position.

## Trunk lid

### 1. The replacement of trunk lid

#### 1) Removal

- ① Open the trunk lid.
- ② Remove trunk interior trim.
- ③ Remove the connecting wire harness in the trunk lid.
- ④ Use No. 10 socket or wrench to remove the trunk lid fixed bolts.
- ⑤ Lift off trunk lid.



#### 2) Installation.

Assembly is the reversed order of removal.

- Tightening torque: 6.9~10.8 N.m



### Caution:

- After finishing trunk lid assembly, you should adjust trunk lid to ensure satisfactory clearances to the left and right and surface difference and free open-close without interference.

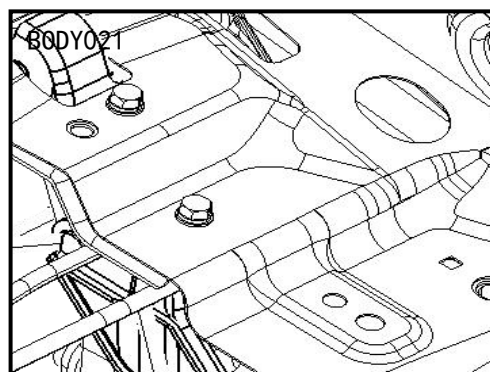
### 2. The replacement of trunk lid hinge

#### 1) Removal

① Remove the trunk lid., please refer to The replacement of trunk lid

② Use No. 10 socket or wrench to remove the trunk lid fixed bolts.

- Tightening torque: 6.9~10.8 N.m



## 2) Installation

Installing shall accord with the reversed order of removal.

## 3. The Replacement of trunk lid weather strip:

## 1) Removal

- ① Remove the tail lamp. Refer to "Automobile tail lamp replacement.
- ② Use the tool to pry up weather strip.
- ③ Remove weather strips slowly.

**Caution:**

- To remove it, do not pull hard.

## 2) Installation.

- ① Align the weather strip butt seam to the trunk lid button
- ② Use hand to fix the weather strip guide slot to the body, and pay attention to the clamping of the round corner.
- ③ Use a rubber hammer to knock on the weather strip to fix it well.
- ④ The installation of the taillight. Refer to "Automobile tail lamp replacement.

**Caution:**

- To install, do not apply to much strength to knock on the weather7 strip with the rubber hammer in case of damaging it.

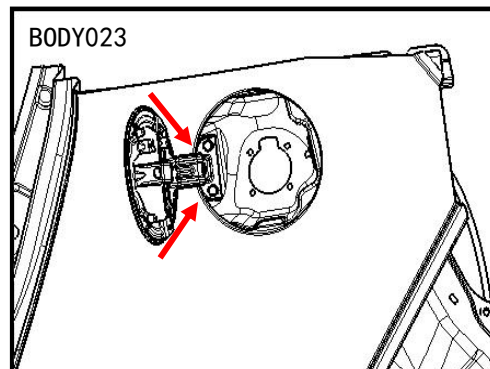
**Oil filler of fuel tank**

## 1. Filler cover plate replacement

## 1) Removal

- ① Open filler cover plate.

- ② Disconnect the drawstring connecting filler cap with filler cover plate.
- ③ Remove screws securing filler cover plate.
- The bolt tightening torque of 7.8 ~11.8 N • M



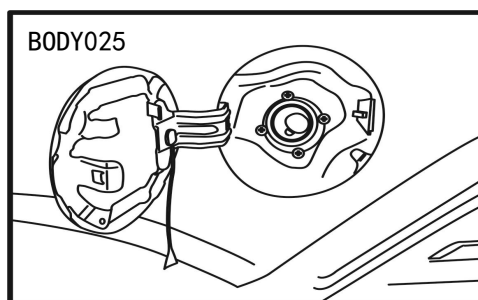
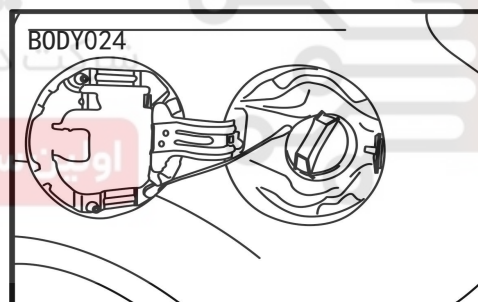
- ④ Remove filler cover plate.

## 2) Installation.

Installation is in the reversed order of removal.

## 2. Filler cap replacement

- ① Open filler cover plate.
- ② Remove the drawstring connecting filler cap with filler cover plate.



- ③ Remove filler cap.

## 2) Installation.

Installation is the reversed order of removal.

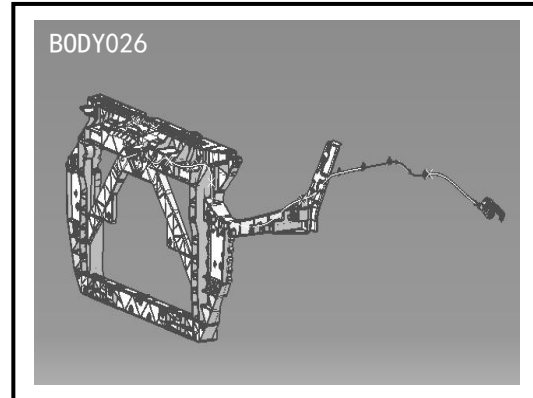
## Locking system

### 1. The replacement of engine hood lock

#### 1) Removal

- ① Open engine hood.
- ② Remove front bumper.
- ③ Remove bolts securing lock.
- ④ Disconnect lock cable and take off

engine hood lock.



#### 2) Installation.

Installation is in the reversed order of removal.

### 2. The replacement of engine hood open-close handle

#### 1) Removal

- ① Remove the fixed bolts securing open handle base seat of engine hood.
- ② Disconnect engine hood handle cable.
- ③ Take off engine hood open-close handle.

#### 2) Installation

Installation is the reversed order of removal.

