

Repair Manual for Brilliance V5

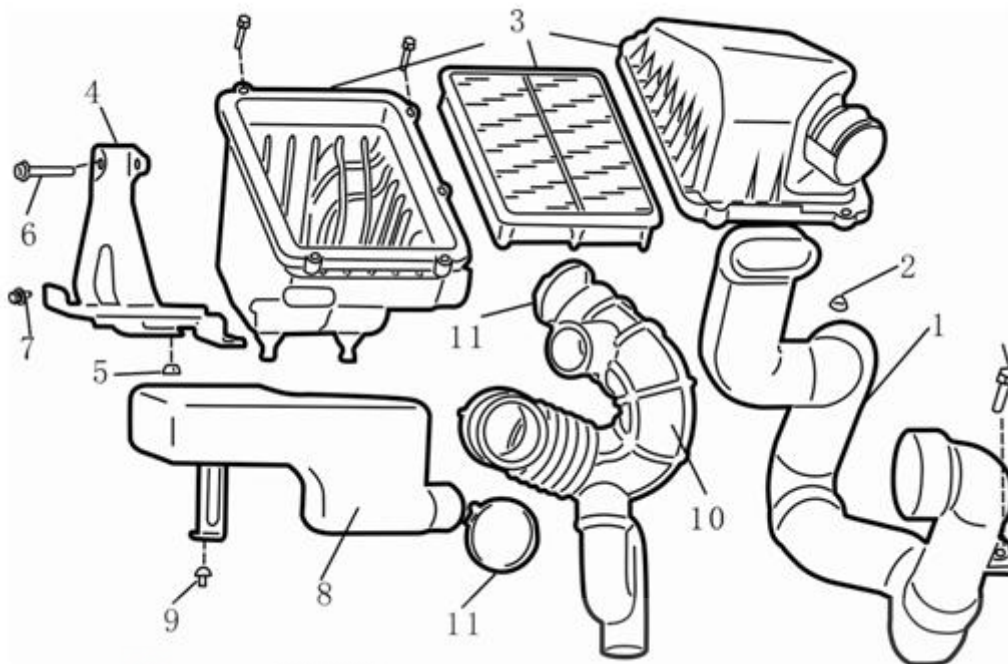
Intake Pipe line

دیجیتال خودرو

شرکت دیجیتال خودرو سامانه (مسئولیت محدود)

اولین سامانه دیجیتال تعمیرکاران خودرو در ایران





1. Disassembly steps:

Original intake pipe

- (1) Assembly of original intake pipe
- (2) Hexagon flange nut M8
- (12) Caged bolt M8*40

Assembly of air cleaner

- (3) Assembly of air cleaner

Assembly of air filter bracket

- (4) Assembly of air filter bracket
- (5) Caged nut M6
- (6) Hexagon flange bolt M8*50
- (7) Caged bolt M8*20

Assembly of resonant cavity bracket

- (8) Assembly of intake pipe
- (9) Bolt M8*16

Assembly of intake pipe

- (10) Assembly of intake pipe
- (11) Worm gears lathedog 60-80

2. Installation steps:

Contrary to the disassembling steps