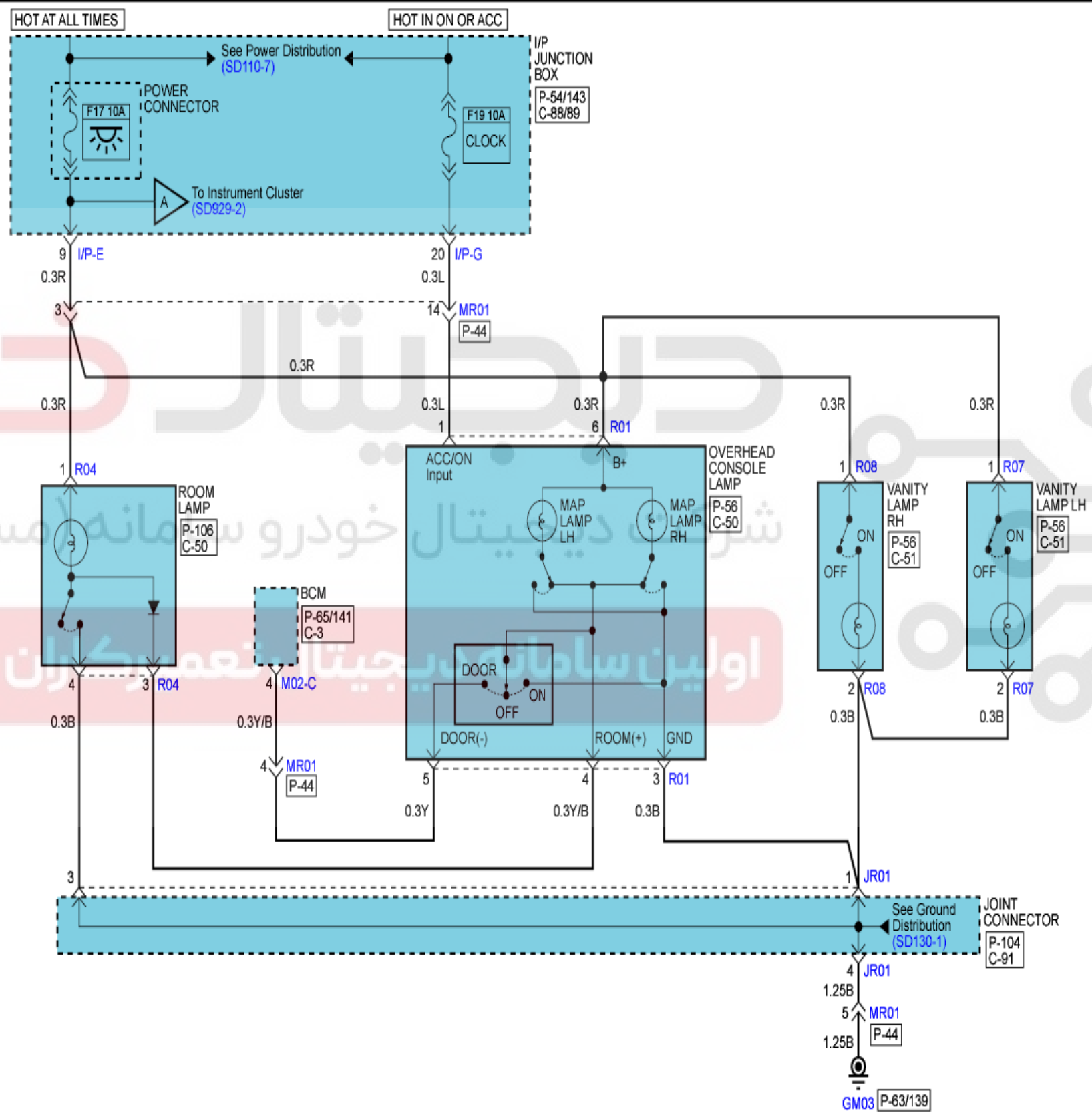
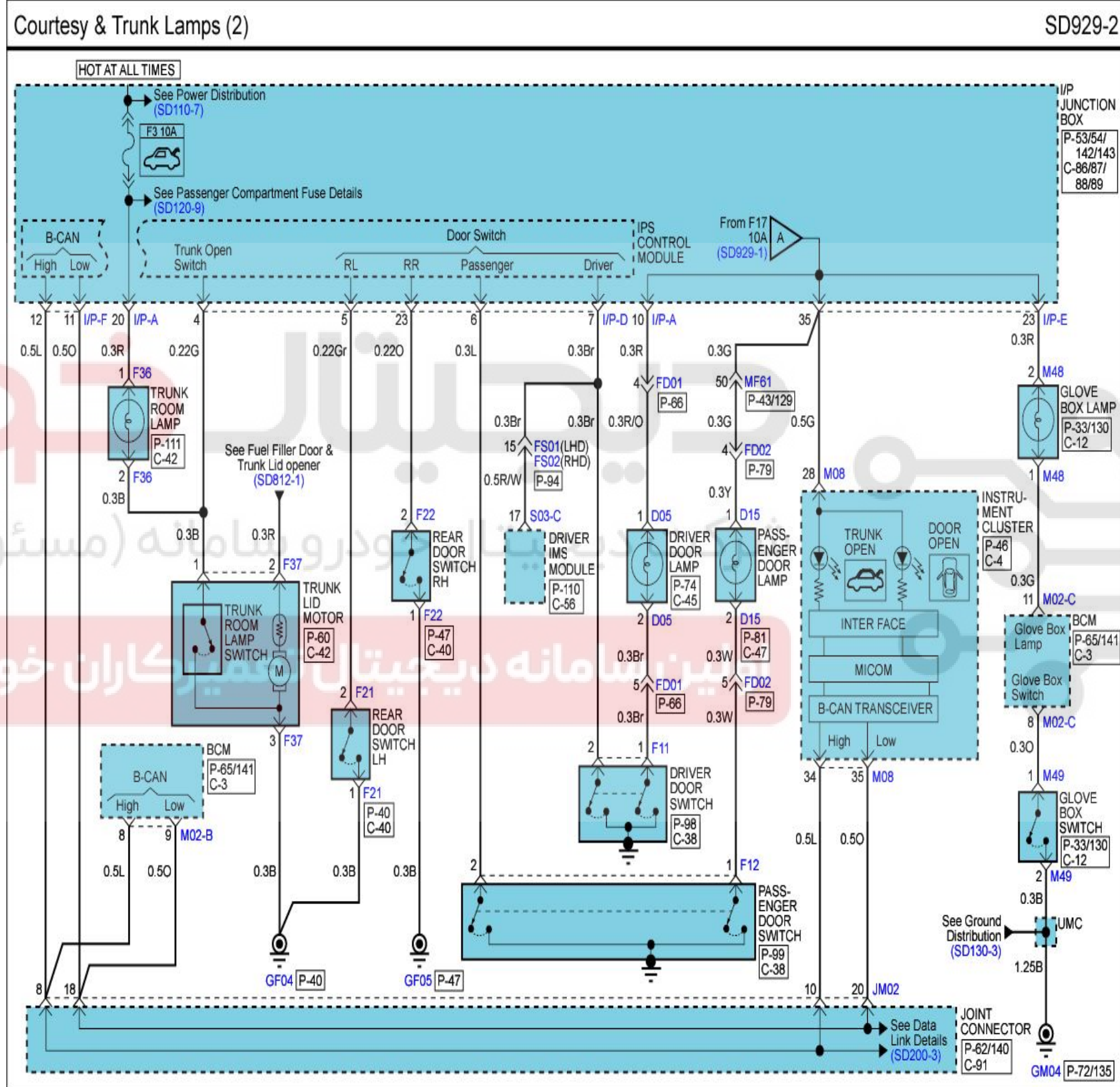


Courtesy & Trunk Lamps

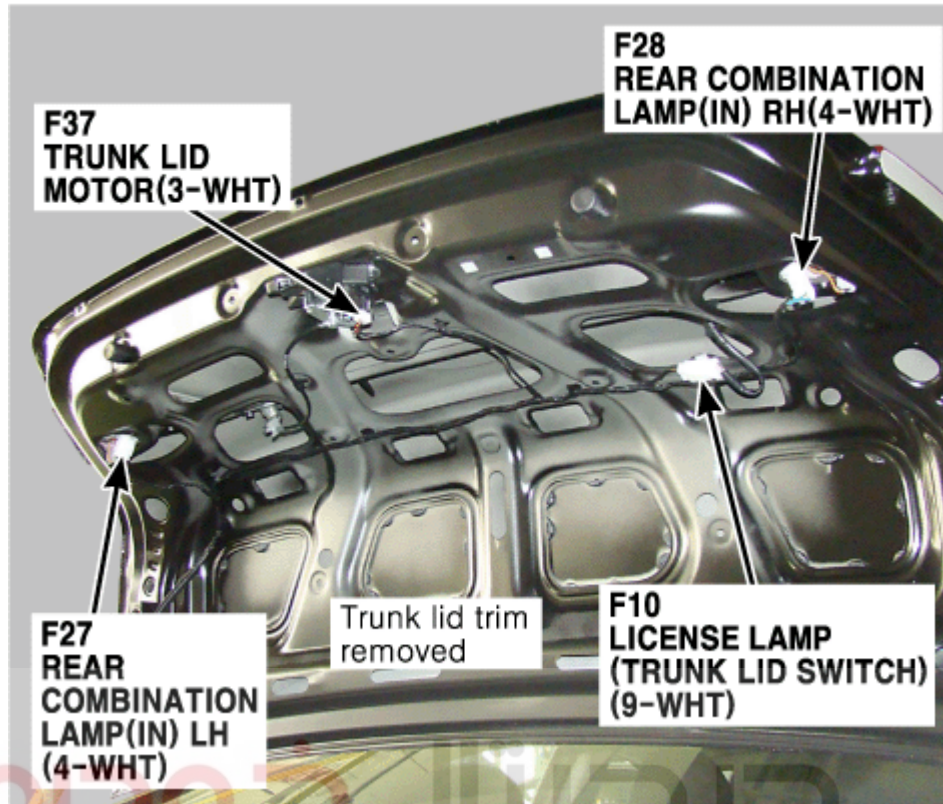
Courtesy & Trunk Lamps (1) SD929-1



Courtesy & Trunk Lamps



## 60. Trunk Lid

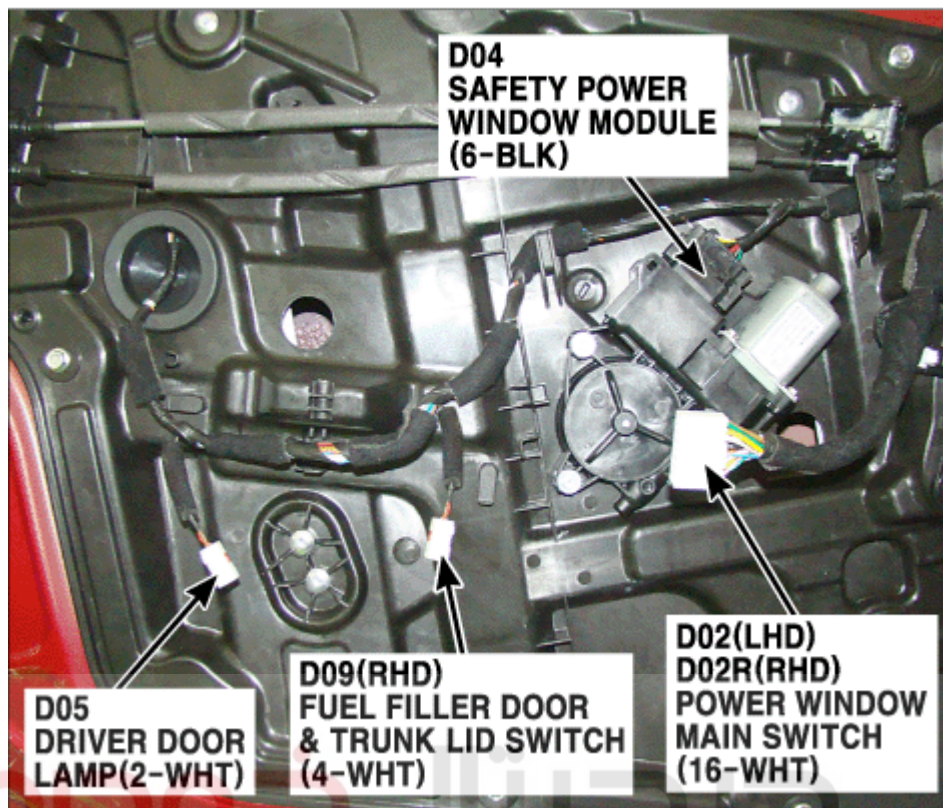


دیجیتال خودرو  
شرکت دیجیتال خودرو سامانه (مسئولیت محدود)



اولین سامانه دیجیتال تعمیرکاران خودرو در ایران

## 74. Driver Door

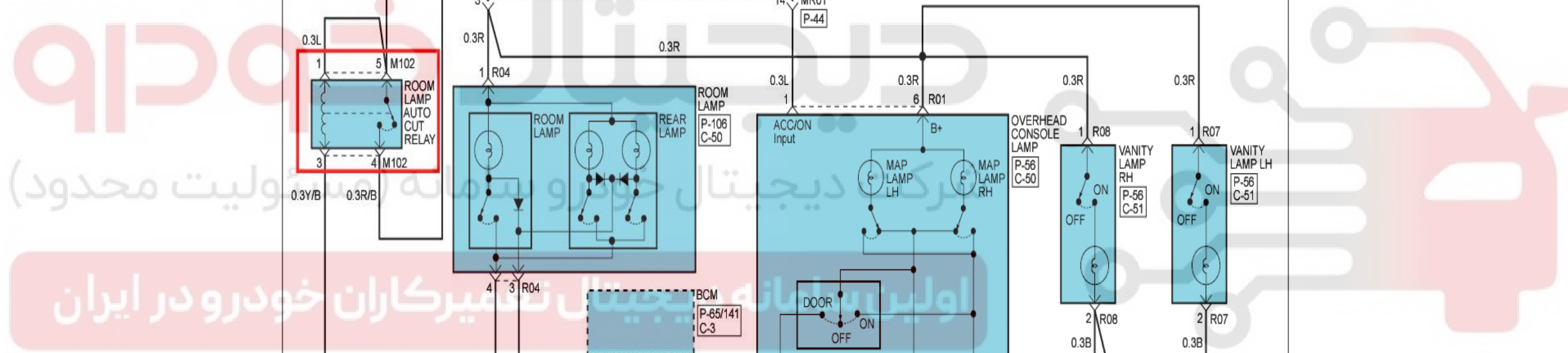
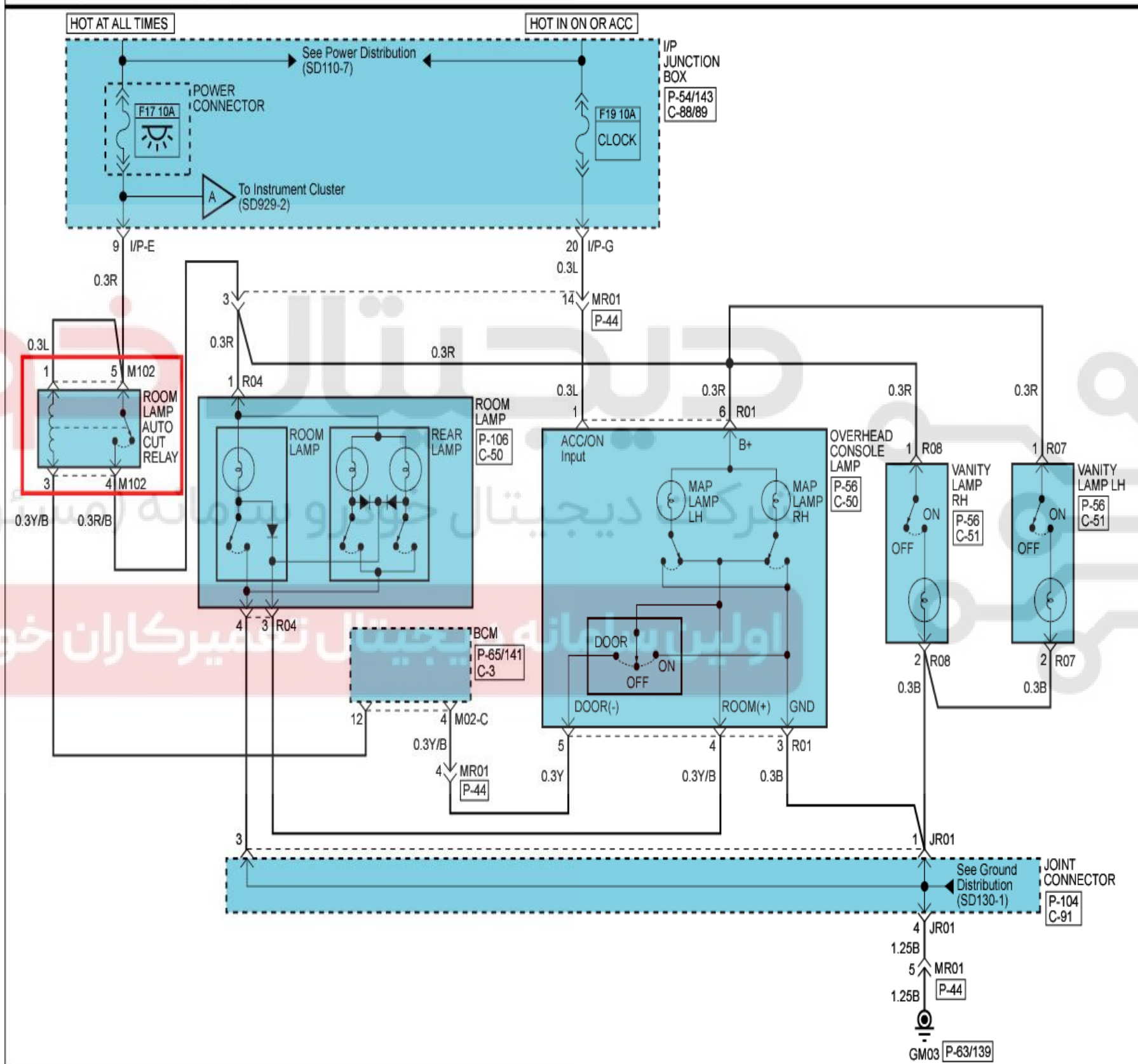


شرکت دیجیتال خودرو (مسئولیت محدود)

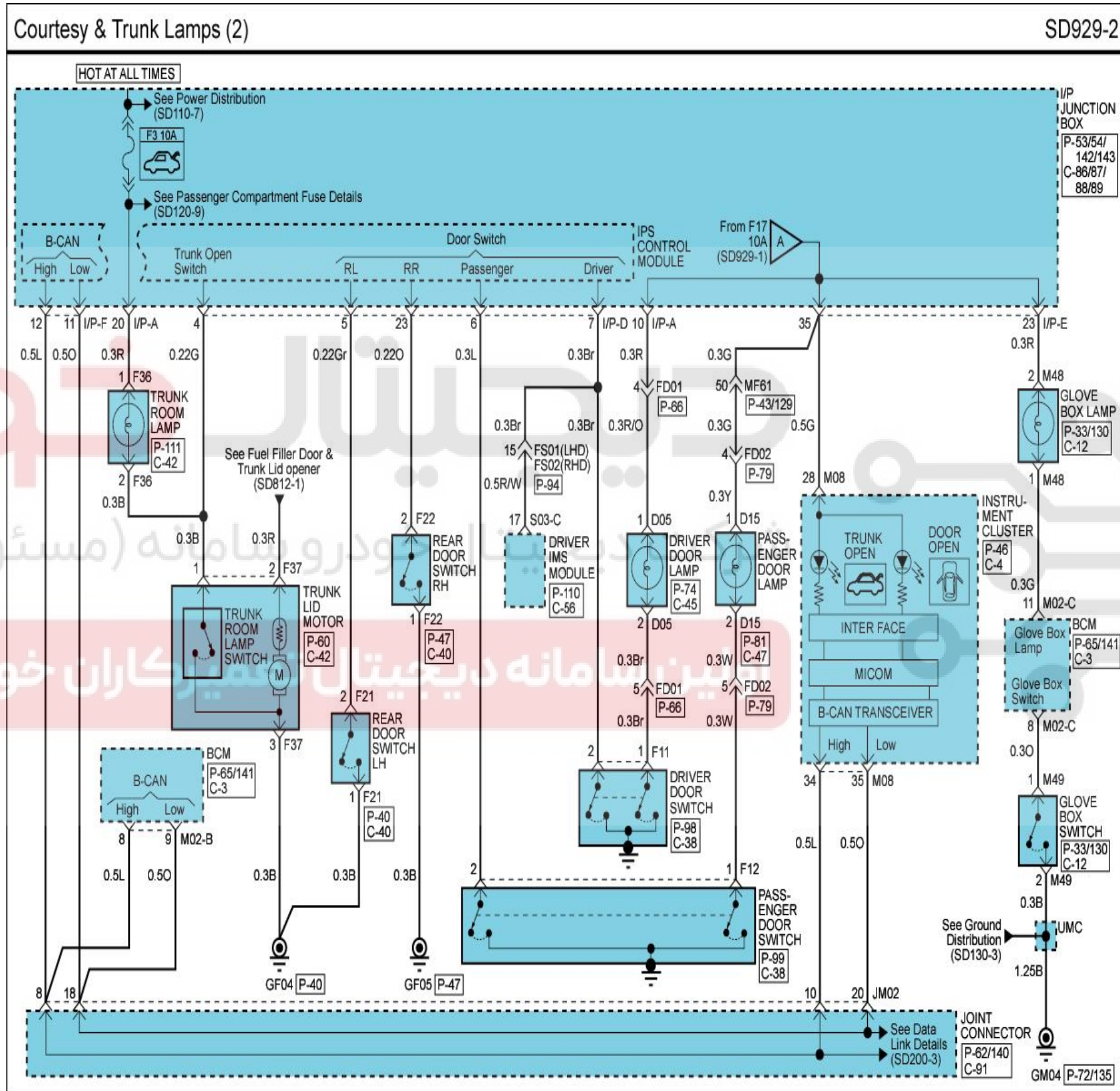
اولین سامانه دیجیتال تعمیرکاران خودرو در ایران



Courtesy & Trunk Lamps (1) SD929-1



Courtesy & Trunk Lamps

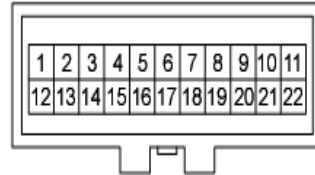


Courtesy & Trunk Lamps

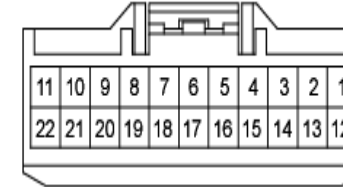
Harness Connection (23) CV-85

MR01 Main To Roof Harness Connection

- 22 Male / White (AMP\_090III\_22M\_W)



- 22 Female / White (AMP\_090II\_22F\_W)



1. O	I/P Junction Box - F27 7.5A	11. O	Wiper Switch (Auto)	1. P	Panorama Sunroof (ON Input)	11. O	[With Rain Sensor]
2. P	BCM, [A/T]	12. -	-		Rain Sensor (ON Input)	12. -	-
	E/R Fuse & Relay Box - RLY. 8	13. -	-	2. L	Electro Chromic Mirror (Back up Signal)	13. -	-
	[M/T]	14. L	I/P Junction Box - F19 10A	3. R	Room Lamp (B+),	14. L	Overhead Console Lamp (ACC/ON Input)
	Back-up Lamp Switch	15. -	-		Overhead Console Lamp (B+),	15. -	-
3. R/B	Room Lamp Auto Cut Relay	16. -	-		Vanity Lamp LH/RH (B+)	16. -	-
4. Y/B	BCM (Room Lamp Out)	17. -	-	4. Y	Overhead Console Lamp (Door -)	17. -	-
5. B	Ground (GM03)	18. -	-	5. B	Joint Connector (JR01) (Ground)	18. -	-
6. O	I/P Junction Box - F30 7.5A,	19. R	I/P Junction Box - F23 20A	6. O	Electro Chromic Mirror (ON/START Input)	19. R	Panorama Sunroof (B+)
	Head Lamp Leveling Device Switch,	20. W	Instrument Cluster (4P Output)	7. L	[With Rain Sensor]	20. W	Panorama Sunroof (Vehicle Speed Signal)
	Head Lamp Leveling Device	21. -	-		Rain Sensor (Parking Switch)	21. -	-
	Actuator LH/RH	22. -	-	8. Y	[With Rain Sensor]	22. -	-
7. L	[With Rain Sensor]				Rain Sensor (Wiper Relay Control)		
	E/R Fuse & Relay Box			9. Gr	[With Rain Sensor]		
	- RLY. 11 (SW)				Rain Sensor (RLY. 12 Control)		
8. Y	[With Rain Sensor]			10. Br	[With Rain Sensor]		
	E/R Fuse & Relay Box				Rain Sensor (Wiper Signal)		
	- RLY. 11 (Coil)						
9. Gr	[With Rain Sensor]						
	E/R Fuse & Relay Box - RLY. 12						
10. Br	[With Rain Sensor]						
	Washer Motor, Washer Switch						