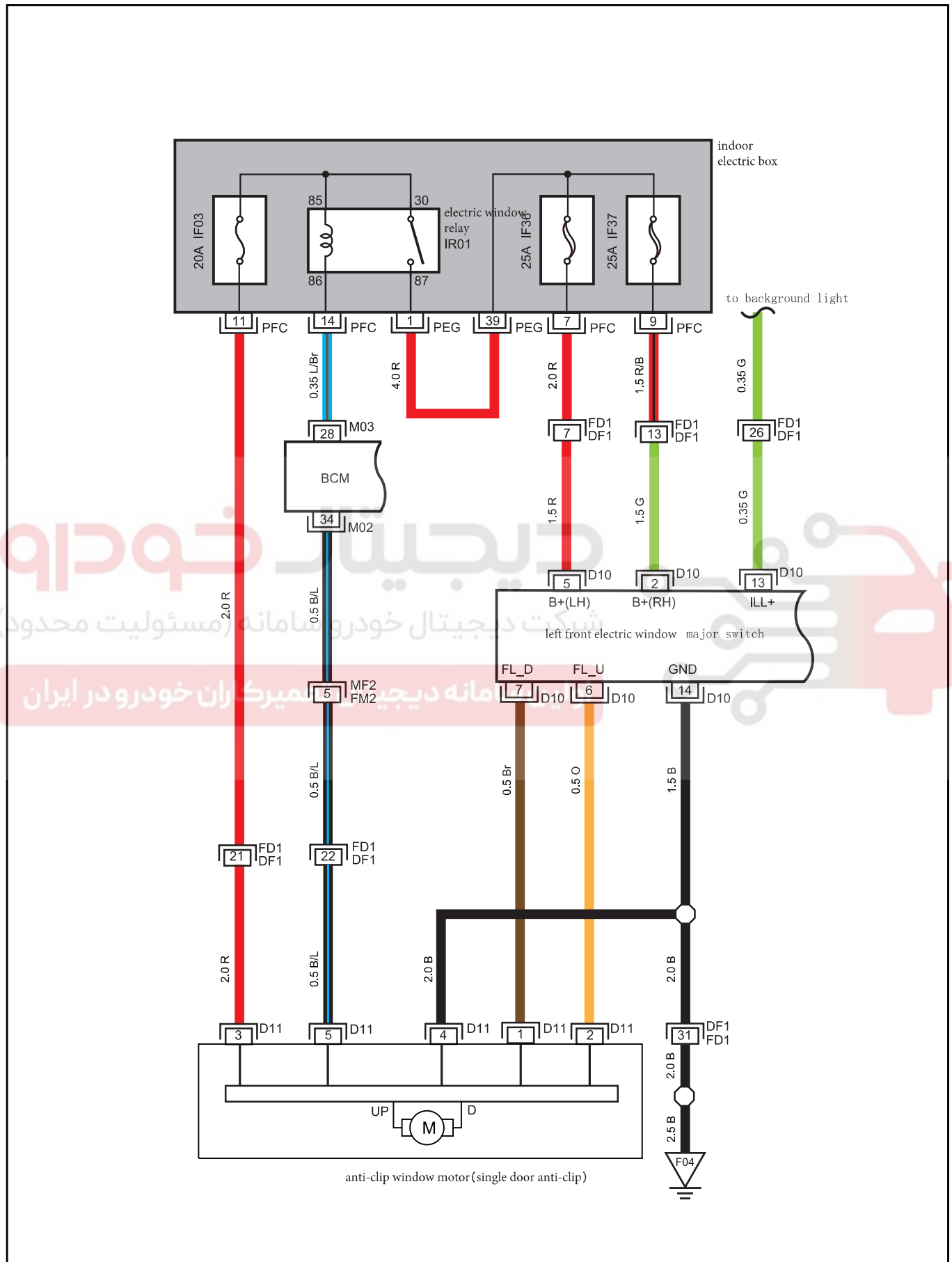


electric window (low configuration 1)



harness connector	name	page
D10	left front door electric window major switch	49
D11	anti-clip window motor (single door anti-clip) harness connector	49
M03	BCM C harness connector	26
PFC	IP.BOX C harness connector	43
PEG	IP.BOX G harness connector	17
FD1	body line connect left front door line	49
DF1	left front door line connect body line	43
F04	connect ground	64

connecting point	note	page
M03-28	to electric window relay IR01-86	75

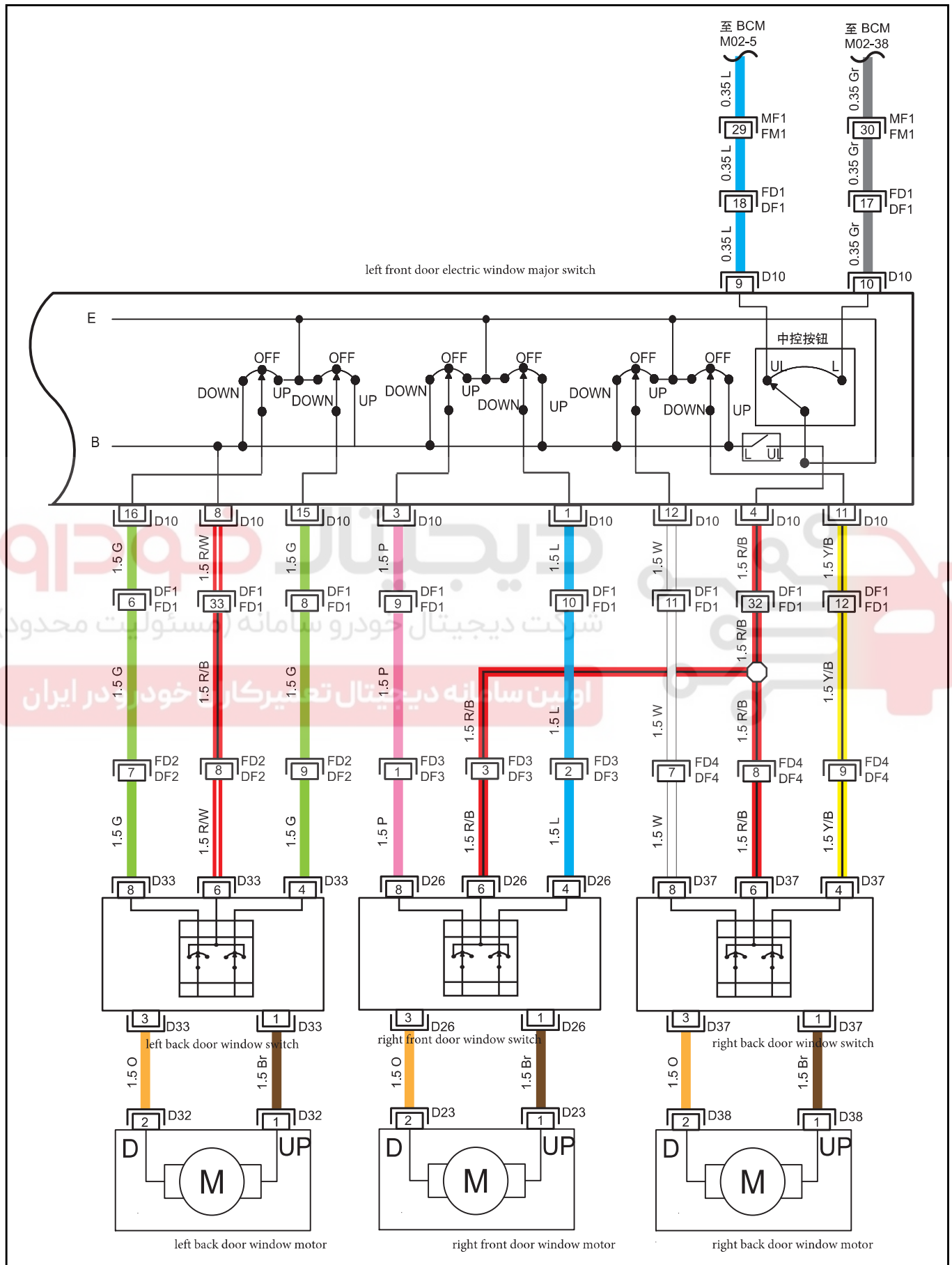
# دیجیتال خودرو

شرکت دیجیتال خودرو سامانه (مسئولیت محدود)

اولین سامانه دیجیتال تعمیرکاران خودرو در ایران



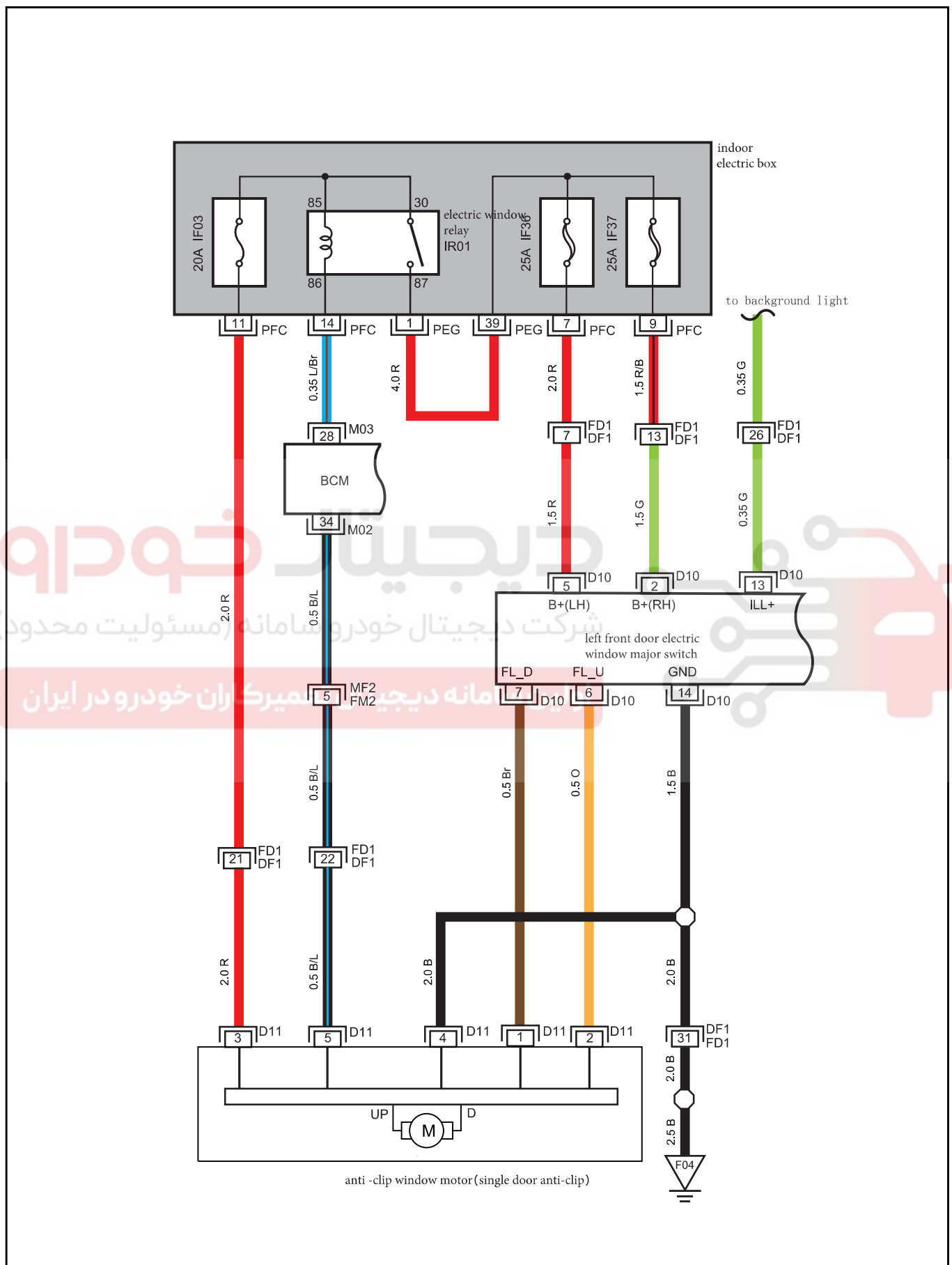
electric window (low configuration 2)



harness connector	name	page
D10	left front electric window switch harness connector	49
D26	right front door window switch harness connector	53
D33	left back door window switch harness connector	49
D37	right back door window switch harness connector	53
D32	left back door window switch harness connector	49
D23	right front door window switch harness connector	53
D38	right back door window switch harness connector	53
FD1	body line connect left front door line 1	43
DF1	left front door line connect body line 1	49
FD2	body line connect left back line 2	43
DF2	left back line connect body line 2	49
FD3	body line connect right front door line 1	43
DF3	right front door line connect body line 1	53
FD4	body line connect right back line 1	45
DF4	right back line connect body line 1	53
MF1	main line connect body line 1	26
FM1	body line connect main line 1	43
connecting point	note	page
D10-9	to BCM B M02-5	161
D10-10	to BCM B M02-38	161

اولین سامانه دیجیتال تعمیرکاران خودرو در ایران

electric window (low configuration 3)



harness connector	name	page
D10	left front door electric window major switch	49
D11	anti -clip window motor7single door anti-clip harness connector	49
M03	BCM C harness connector	26
PFC	IP.BOX C harness connector	43
PEG	IP.BOX G harness connector	17
MF1	main line connect frame line connector 1	26
FM1	frame line connect main line 1	43
FD1	body line connect left front door line	43
DF1	left front door line connect body line	49
F04	connect ground	64

connecting point	note	page
M03-28	to electric window relay IR01-86	75

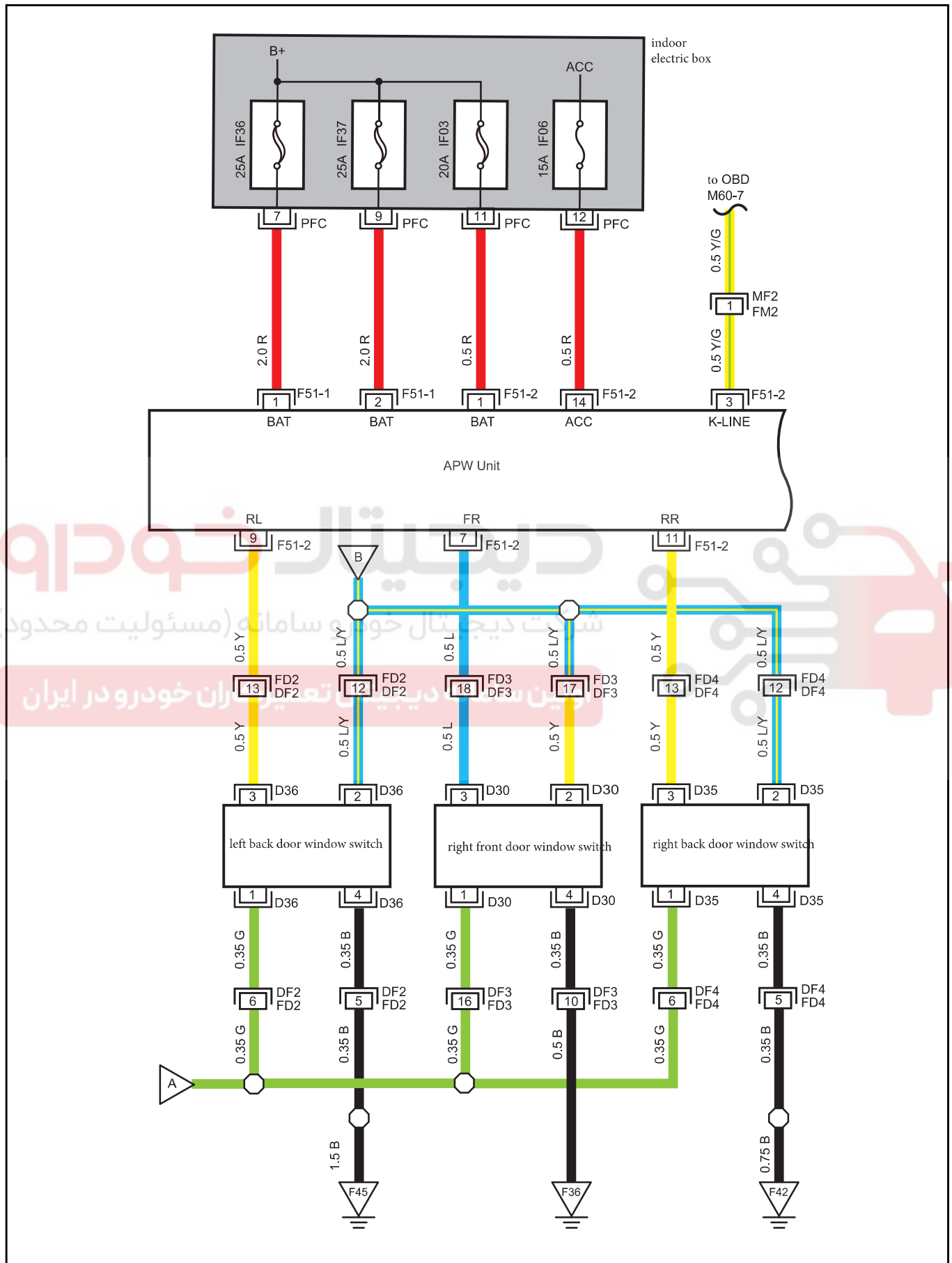
# دیجیتال خودرو

شرکت دیجیتال خودرو سامانه (مسئولیت محدود)

اولین سامانه دیجیتال تعمیرکاران خودرو در ایران



electric window (high configuration 1)

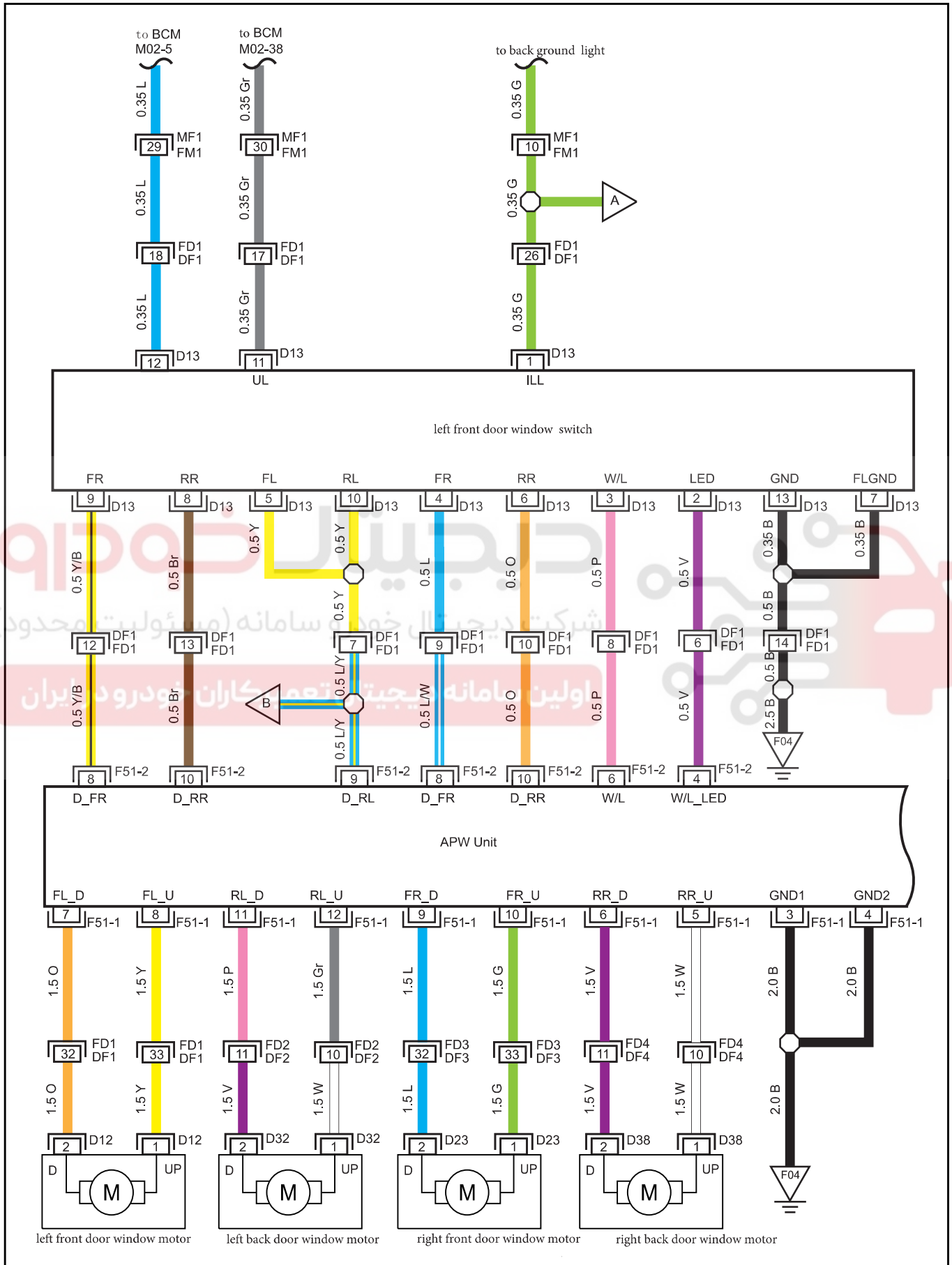


harness connector	name	page
F51-1	window anti-clip module A harness connector	43
F51-2	window anti-clip module B harness connector	43
D30	right front window switch harness connector	53
D35	right back electric window harness connector	49
D36	left back electric window harness connector	49
PFC	IP.BOX C harness connector	43
FD2	body line connect left back door line 1	43
DF2	left back door line connect body line 1	49
FD3	body line connect right front door line 1	43
DF3	right front door line connect body line 1	53
FD4	body line connect right back line 1	45
DF4	right back line connect body line 1	53
MF2	main line connect body line connector 2	26
FM2	body line connect main line 2	43
F36	connect ground	64
F42	connect ground	64
F45	connect ground	64
connecting point	note	page
F51-2-3	to OBD M60-7	177

اولین سامانه دیجیتال تعمیرکاران خودرو در ایران



electric window (high configuration 2)



harness connector	name	page
D13	left front door window main switch harness connector	49
D12	left front door window motor harness connector	49
D32	left back door window motor harness connector	49
D23	right front door window motor harness connector	53
D38	right back door window motor harness connector	53
F51-1	window anti-clip module A harness connector	43
F51-2	window anti-clip module B harness connector	43
FD1	body line connect left front door line 1	43
DF1	left front door line connect body line 1	49
FD2	body line connect left back line 1	43
DF2	left back line connect body line 1	49
FD3	body line connect right front door line 1	43
DF3	right front door line connect body line 1	53
FD4	body line connect right back line 1	45
DF4	right back line connect body line 1	53
MF1	main line connect frame line connector 1	26
FM1	frame line connect main line 1	43
F04	connect ground	64
connecting point	note	page
D13-11	to BCM B M02-5	161
D13-12	to BCM B M02-38	161
D13-1	to background light	141