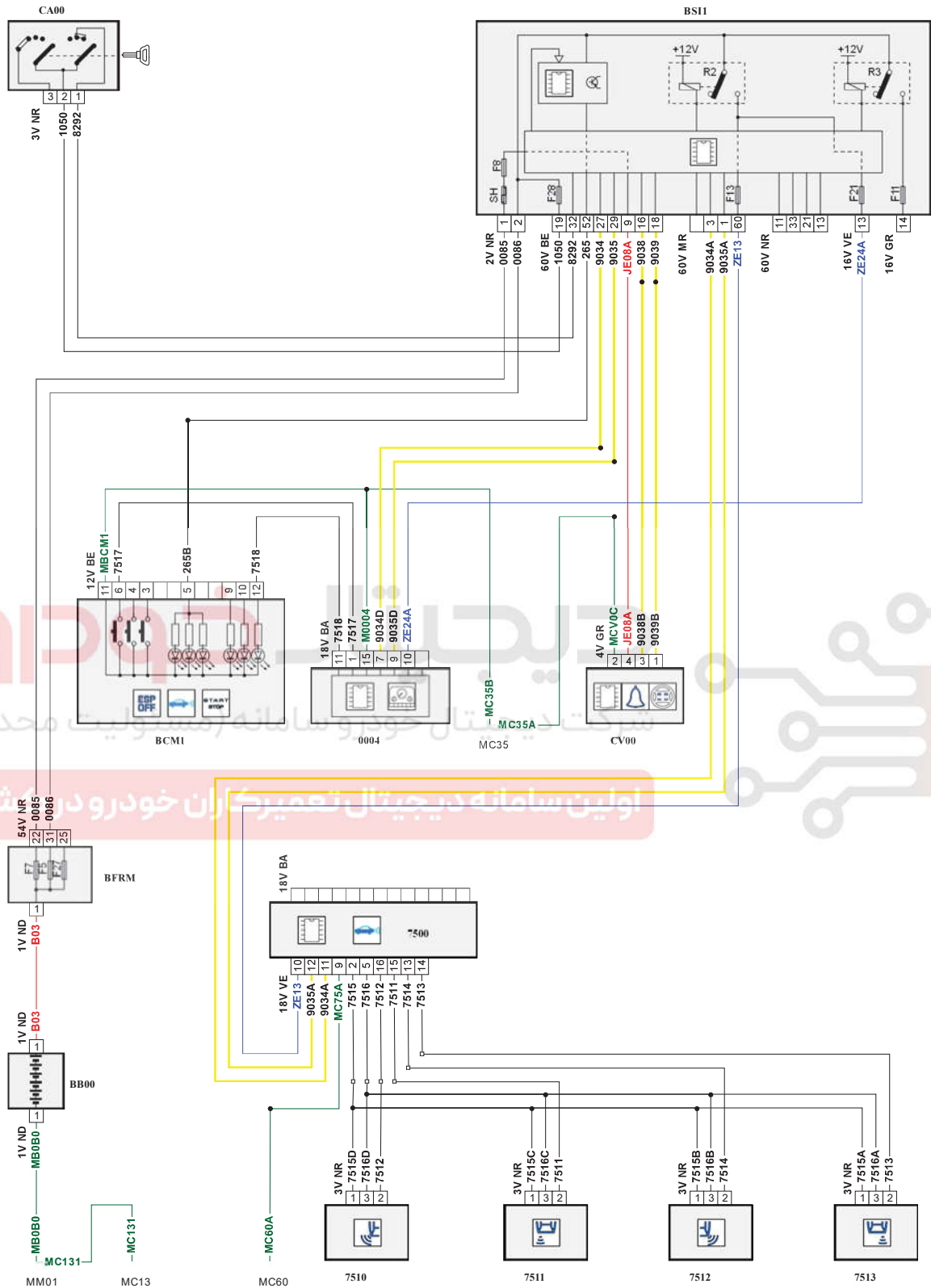


parking assistance



D3CZK12R

parking assistance

item code	description	information
0004	null	/ instrument panel
7500	null	Parking assistance ECU
7510	null	rear left outer parking assistance sensor /
7511	null	rear left inner parking assistance sensor /
7512	null	rear right outer parking assistance sensor /
7513	null	rear right inner parking assistance sensor /
BB00	null	ancillaries battery
BCM1	null	right-hand multifunction switch block
BFRM	null	engine fuse and relay box
BSI1	null	built-in systems interface
CA00	null	ignition switch
CV00	null	control under the steering wheel
E265	null	crimp one information (or equipotential 265) wire
E755A	null	crimp one information (or equipotential 755A) wire
E756A	null	crimp one information (or equipotential 756) wire
E904	null	crimp one information (or equipotential 904) wire
E905	null	crimp one information (or equipotential 905) wire
E907	null	crimp one information (or equipotential 907) wire
E908	null	crimp one information (or equipotential 908) wire
EM35A	null	crimp earth (earth point number 35A)
EM35B	null	crimp earth (earth point number 35B)
EM60	null	crimp earth (earth point number 60)
MC13	null	body earth point number 13
MC35A	null	body earth point number 35
MC60A	null	body earth point number 60
MM01	null	engine earth point number 01