

## BODY DIMENSIONS

|                            |             |                                       |              |
|----------------------------|-------------|---------------------------------------|--------------|
| <b>GENERAL INFORMATION</b> | <b>66-3</b> | <b>Front Body Assembly Clearances</b> | <b>66-15</b> |
| Description                | 66-3        | Rear Body Assembly Clearances         | 66-25        |
| Body Frame Dimensions      | 66-4        |                                       |              |

دیجیتال خودرو

شرکت دیجیتال خودرو سامانه (مسئولیت محدود)

اولین سامانه دیجیتال تعمیرکاران خودرو در ایران



66

# دیجیتال خودرو

شرکت دیجیتال خودرو سامانه (مسئولیت محدود)

اولین سامانه دیجیتال تعمیرکاران خودرو در ایران



## GENERAL INFORMATION

### Description

- All measurements should be made from bare metal. Remove trim and bumper covers as necessary.
- Repair badly damaged areas before taking measurements for underbody alignment.
- Monitor upper body structure for excessive stress or movement while making any corrections to underbody structure.
- Remove all necessary glasses to prevent breakage.
- All dimensions are shown in millimeters (mm).

دیجیتال خودرو

شرکت دیجیتال خودرو سامانه (مسئولیت محدود)

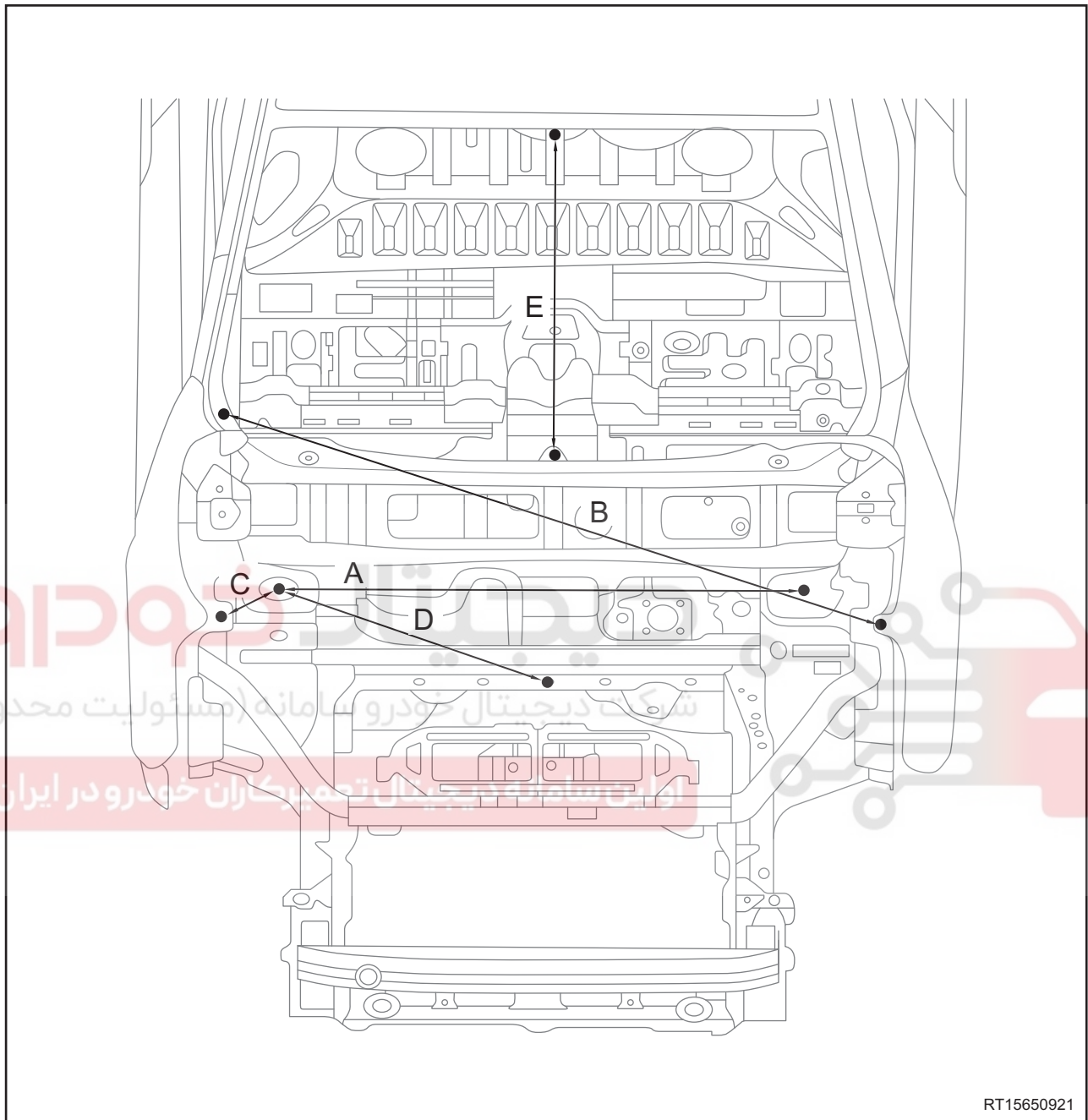
اولین سامانه دیجیتال تعمیرکاران خودرو در ایران



66

## Body Frame Dimensions

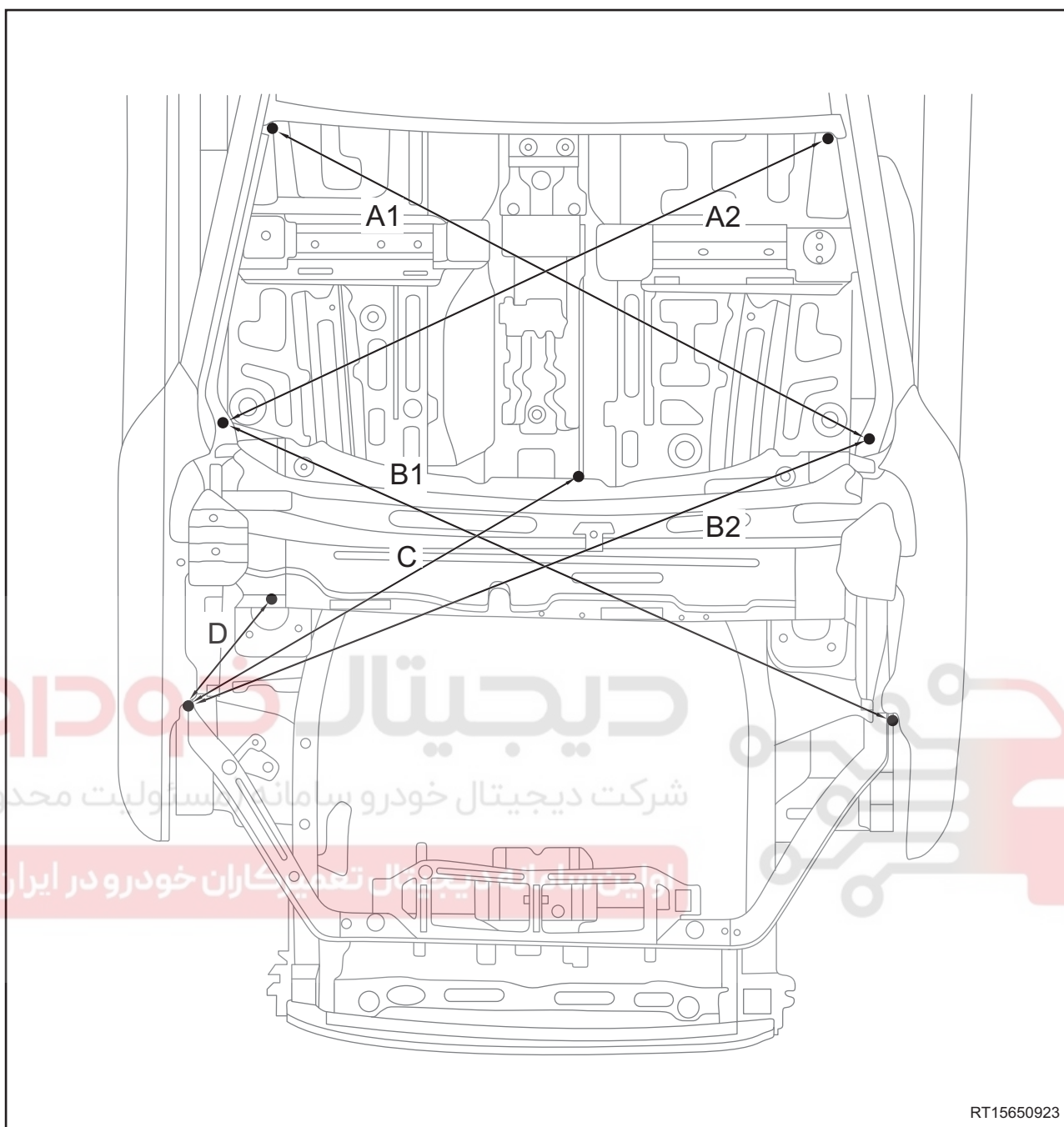
### Dimensions of Engine Compartment and Windshield Frame



66

RT15650921

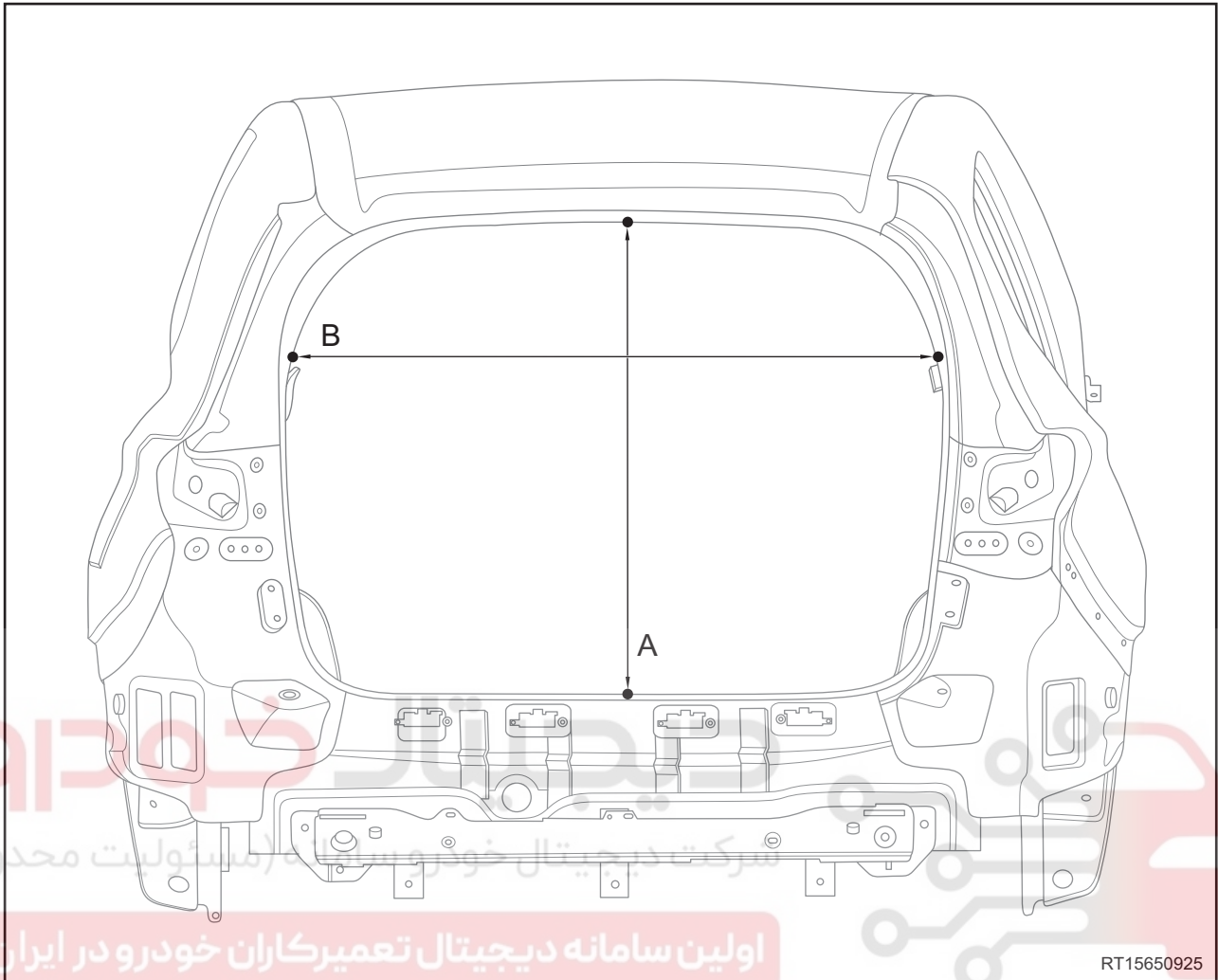
| Dimension Number | Standard Value  | Measuring Area   |
|------------------|-----------------|--|
| A                | 1144.8 ± 2 mm   | Distance between installation centers of front suspension          |
| B                | 1520.3 ± 1.5 mm | Diagonal distance of wing fixing bolts                             |
| C                | 230.4 ± 2 mm    | Distance between installation center of front suspension and wing  |
| D                | 876.5 ± 2 mm    | Distance between center of front baffle plate and wing fixing bolt |
| E                | 796 ± 2 mm      | Front windshield opening   |



RT15650923

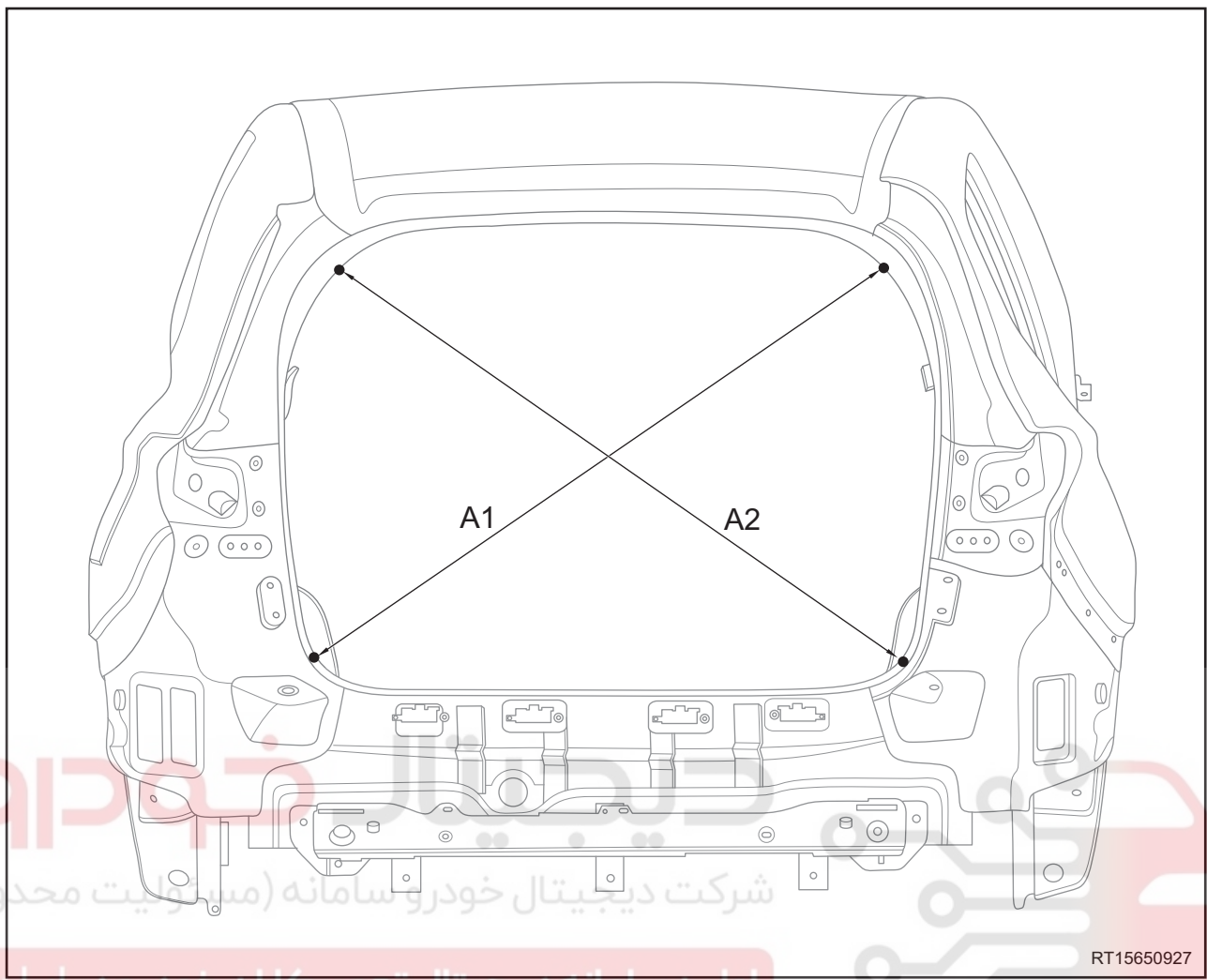
| Dimension Number | Standard Value | Measuring Area   |
|------------------|----------------|--|
| A1, A2           | A1 = A2        | Diagonal distance of windshield outer frame  |
| B1, B2           | B1 = B2        | Diagonal distance of engine compartment  |
| C                | 872.7 mm       | Distance between center of wing installation hole and upper part of front windshield lower crossmember     |
| D                | 291.9 mm       | Distance between center of wing installation hole and center of front shock absorber seat positioning hole |

Luggage Compartment Opening Dimensions

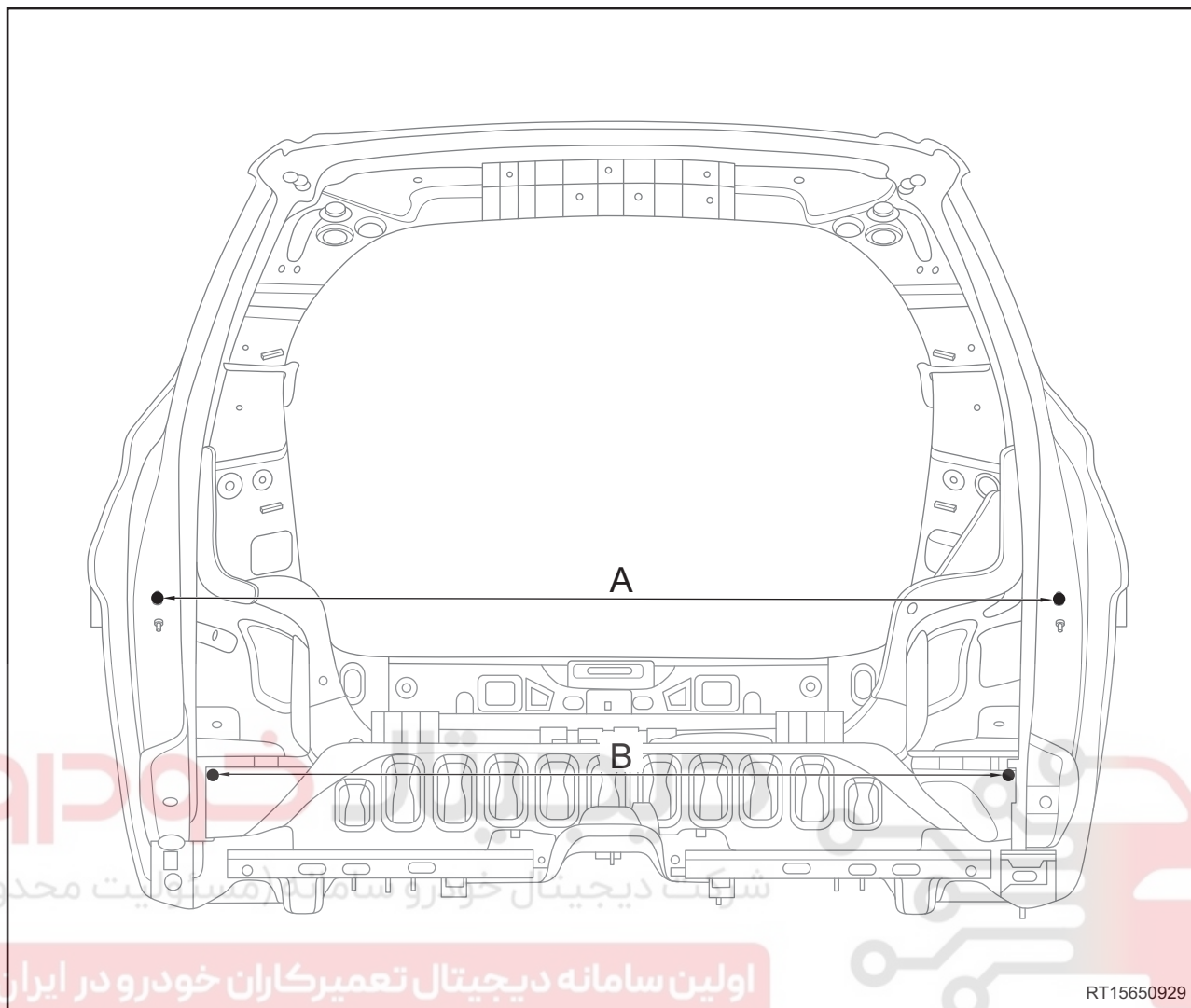


66

| Dimension Number | Standard Value | Measuring Area                          |
|------------------|----------------|---|
| A                | 1016.3 ± 2 mm  | Luggage compartment opening             |
| B                | 1132 ± 2 mm    | Lateral distance of luggage compartment |



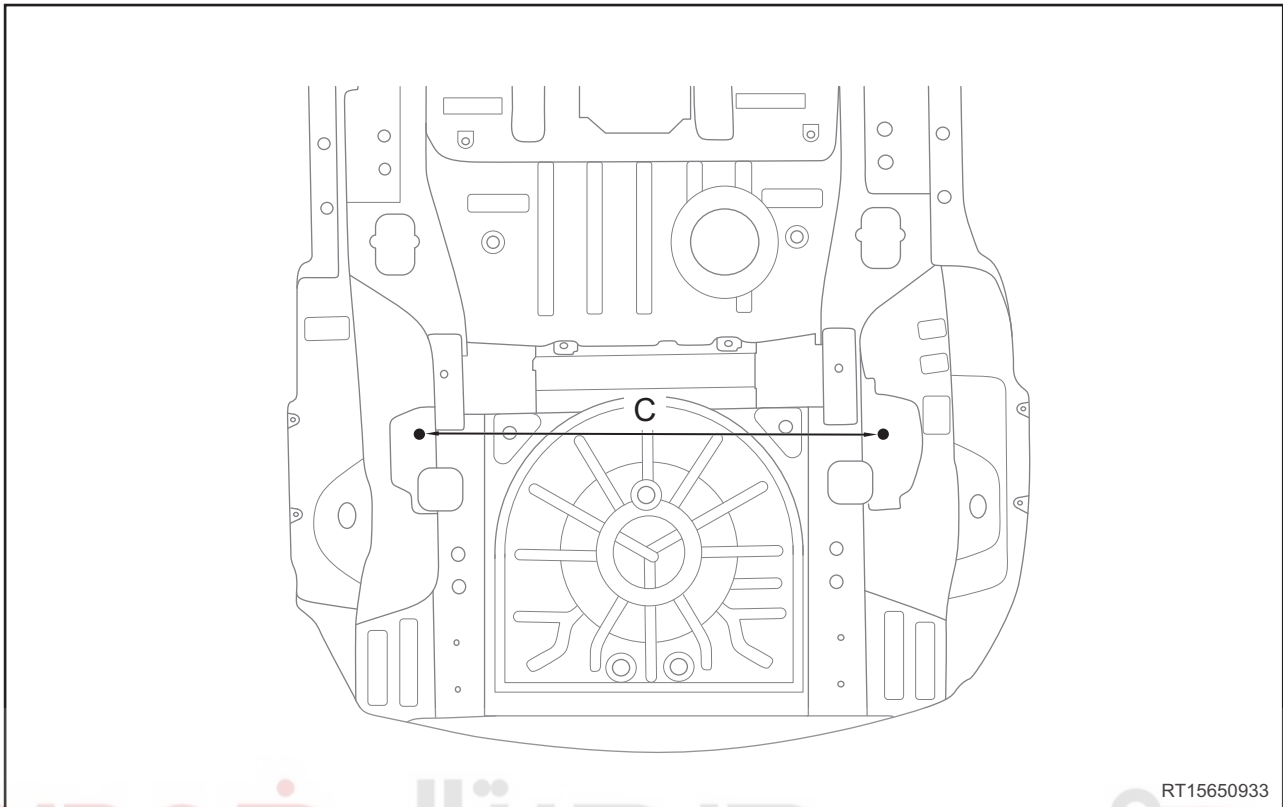
| Dimension Number | Standard Value | Measuring Area                                       |
|------------------|----------------|--|
| A1, A2           | A1 = A2        | Diagonal distance of luggage compartment outer frame |



66

| Dimension Number | Standard Value | Measuring Area   |
|------------------|----------------|--|
| A                | 1558.8 ± 2 mm  | Y-direction distance between B-pillar lock pillar installation positions |
| B                | 1406.5 ± 2 mm  | Distance between seat belt holders                                       |



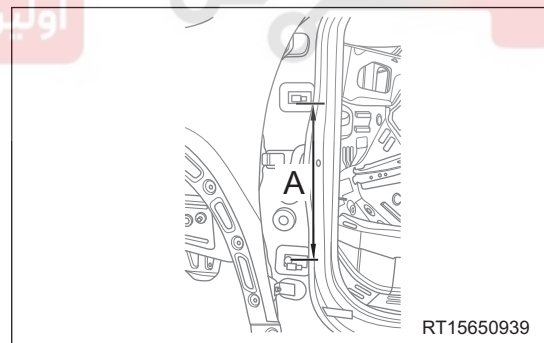


RT15650933

| Dimension Number | Standard Value | Measuring Area   |
|------------------|----------------|--|
| C                | 1127.8 ± 2 mm  | Y-direction distance between rear suspension installation center positions |

**Dimension of distance between A-pillar hinges**

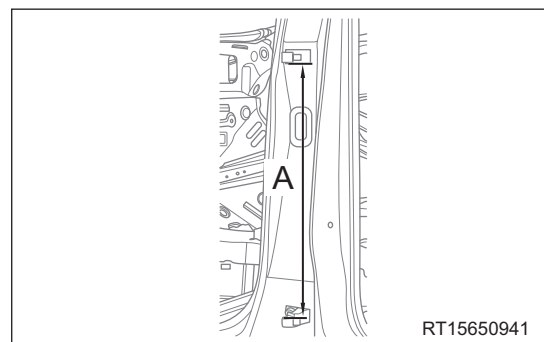
| Dimension Number | Standard Value | Measuring Area                   |
|------------------|----------------|----------------------------------|
| A                | 364 ± 0.3 mm   | Distance between A-pillar hinges |



RT15650939

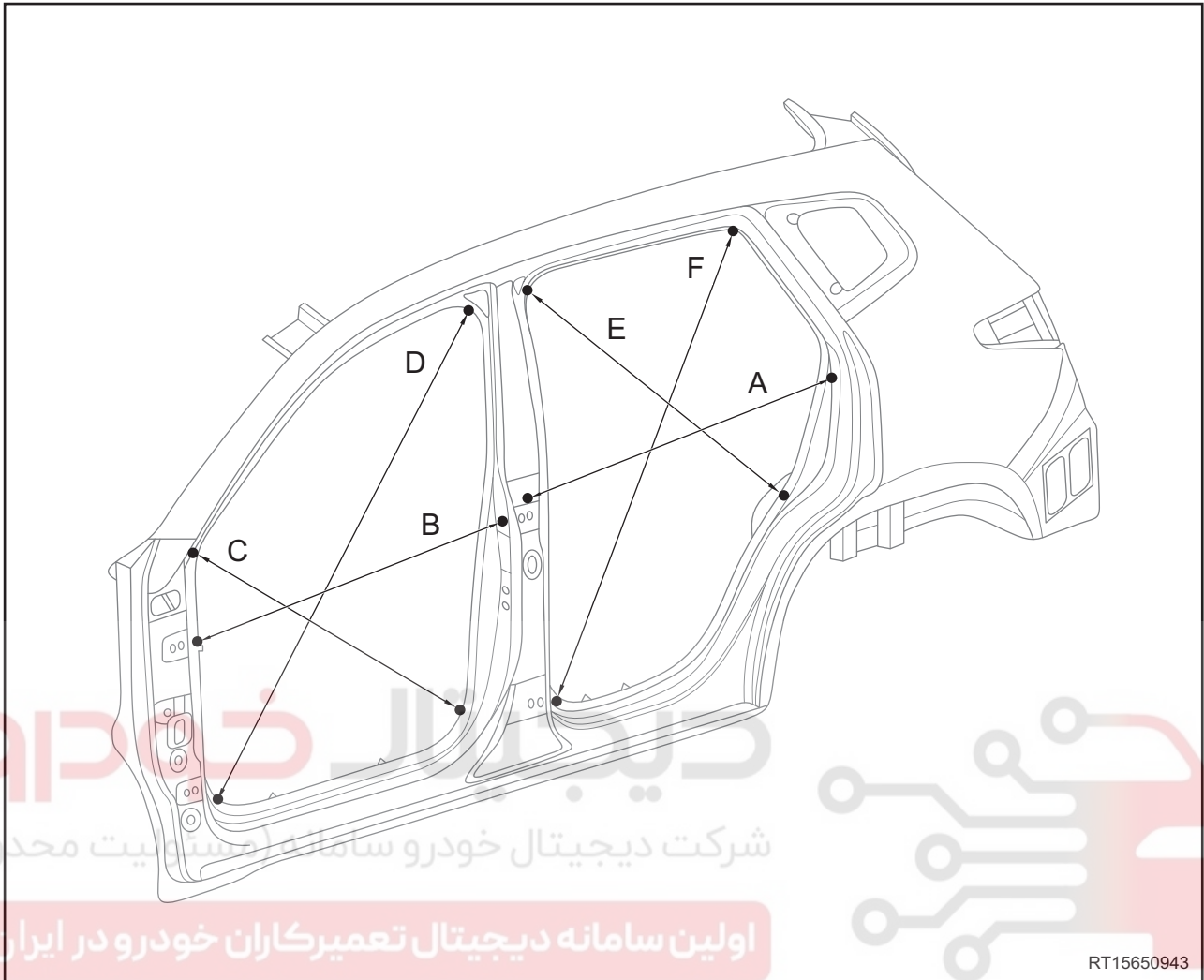
**Dimension of distance between B-pillar hinges**

| Dimension Number | Standard Value | Measuring Area                   |
|------------------|----------------|----------------------------------|
| A                | 468 ± 0.3 mm   | Distance between B-pillar hinges |



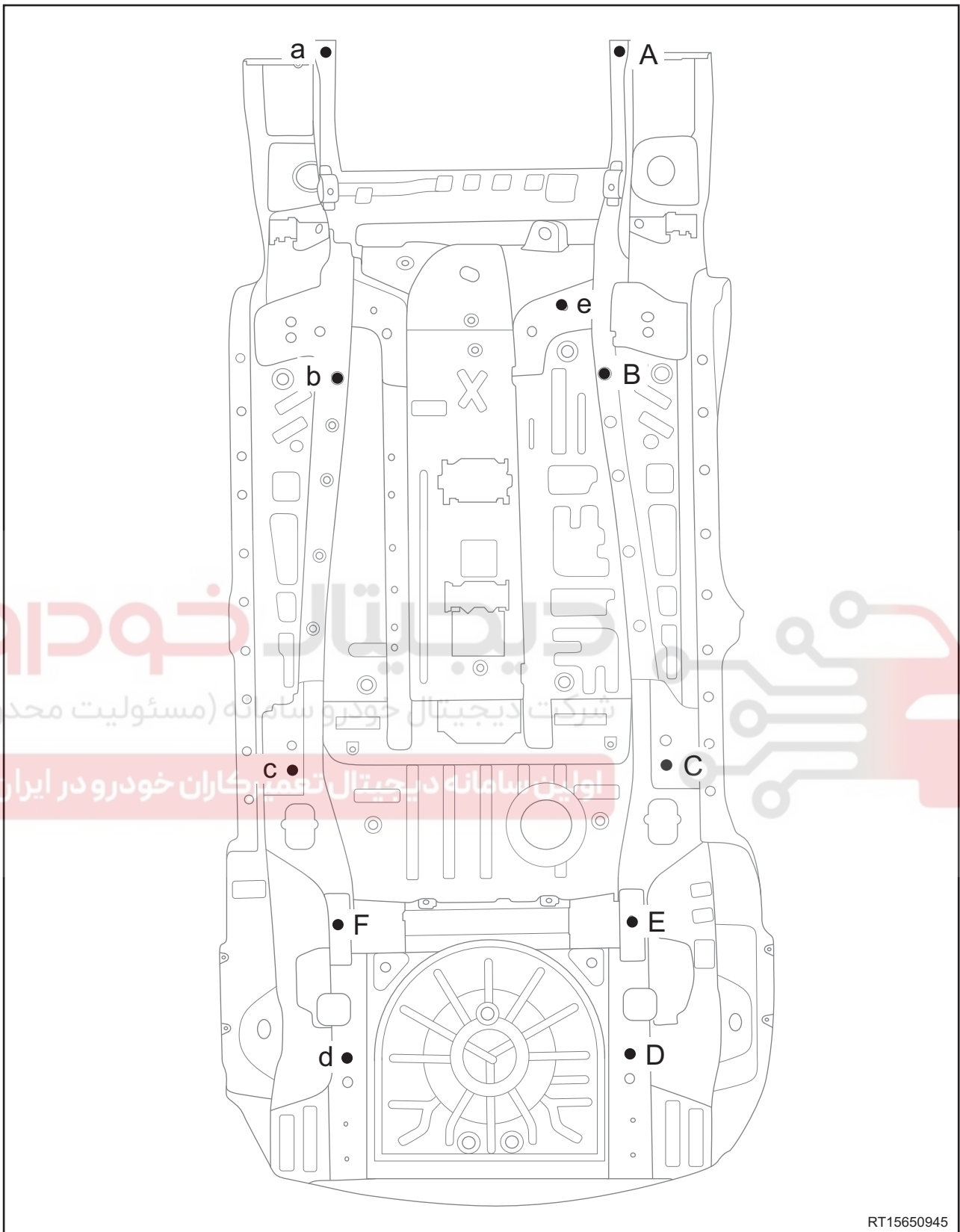
RT15650941

Dimensions of front and rear doors opening



66

| Dimension Number | Standard Value | Measuring Area  |
|------------------|----------------|---|
| A                | 917 ± 1 mm     | Distance between B-pillar and rear door lock pillar installation position |
| B                | 947 ± 1 mm     | Distance between A-pillar and B-pillar lock pillar installation positions |
| C                | 987 ± 1.5 mm   | Front door opening  |
| D                | 1393 ± 1.5 mm  | Front door opening  |
| E                | 1098 ± 1.5 mm  | Rear door opening   |
| F                | 1245 ± 1.5 mm  | Rear door opening   |



RT15650945

## 66 - BODY DIMENSIONS

| Dimension Number | Standard Value  | Measuring Area           |
|------------------|-----------------|--------------------------|
| 1                | 960 ± 1 mm      | Distance between A and a |
| 2                | 1488 ± 1.5 mm   | Distance between A and b |
| 3                | 869 ± 1 mm      | Distance between B and b |
| 4                | 1175 ± 1 mm     | Distance between A and B |
| 5                | 1226 ± 1.5 mm   | Distance between B and C |
| 6                | 1599.5 ± 2 mm   | Distance between B and c |
| 7                | 1215 ± 1.5 mm   | Distance between C and c |
| 8                | 1055.5 ± 1.5 mm | Distance between C and D |
| 9                | 1492 ± 1.5 mm   | Distance between C and d |
| 10               | 915 ± 1.5 mm    | Distance between D and d |
| 11               | 2030.9 mm       | Distance between E and e |
| 12               | 2173.4 mm       | Distance between F and e |
| 13               | 960.2 mm        | Distance between F and E |

66

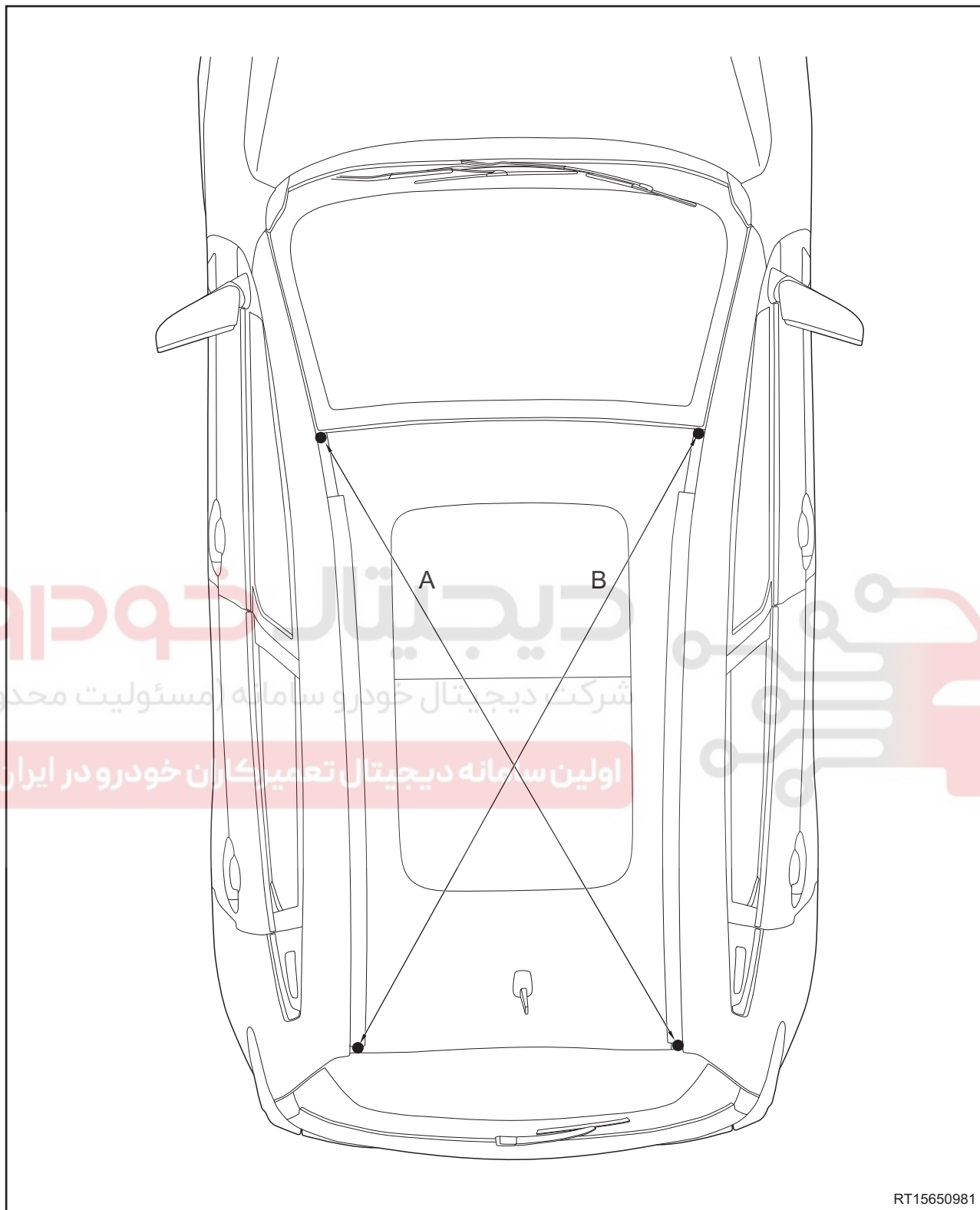
# دیجیتال خودرو

شرکت دیجیتال خودرو سامانه (مسئولیت محدود)

اولین سامانه دیجیتال تعمیرکاران خودرو در ایران

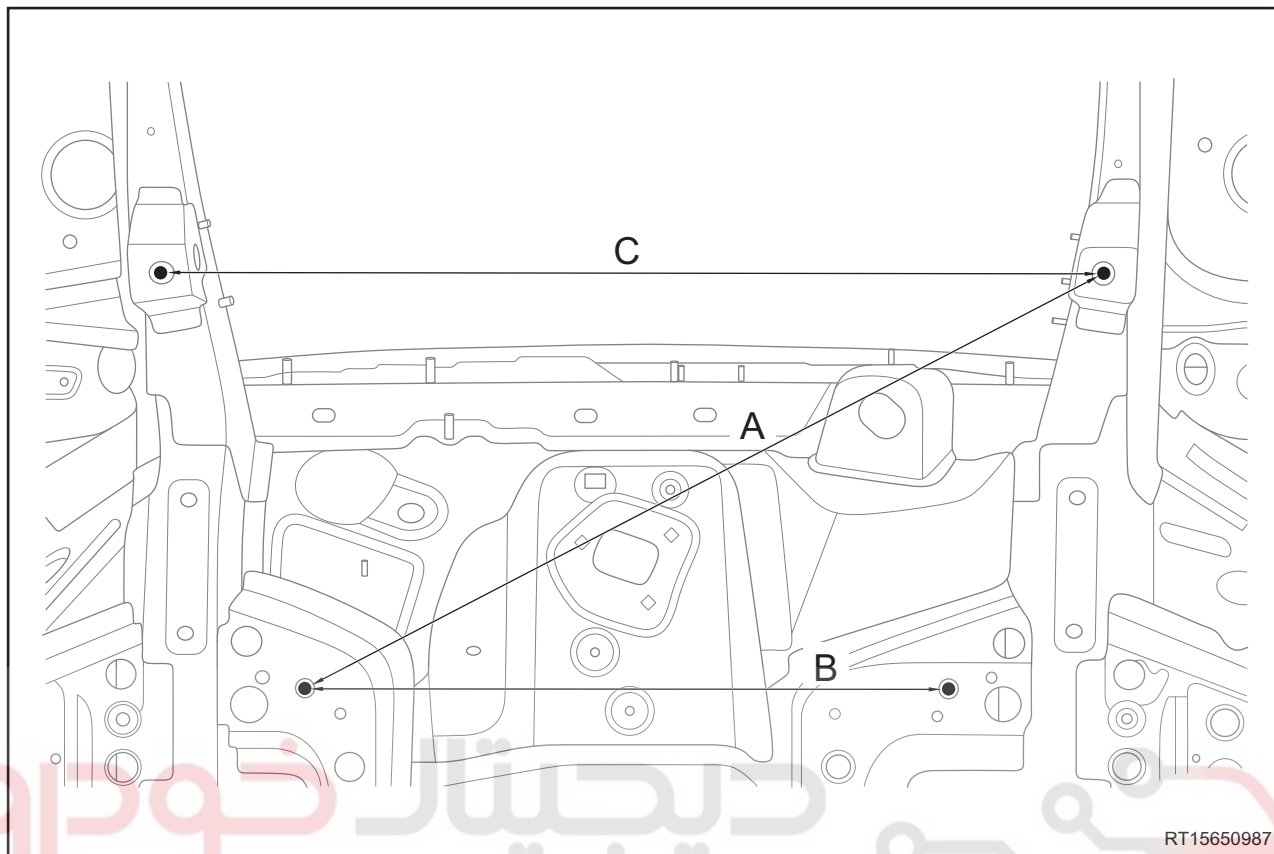


Roof Dimensions



| Dimension Number | Standard Value | Measuring Area            |
|------------------|----------------|---------------------------|
| A                | 2135 mm        | Diagonal distance of roof |
| B                | 2135 mm        | Diagonal distance of roof |

Distance Between Centers of Sub Frame Installation Holes



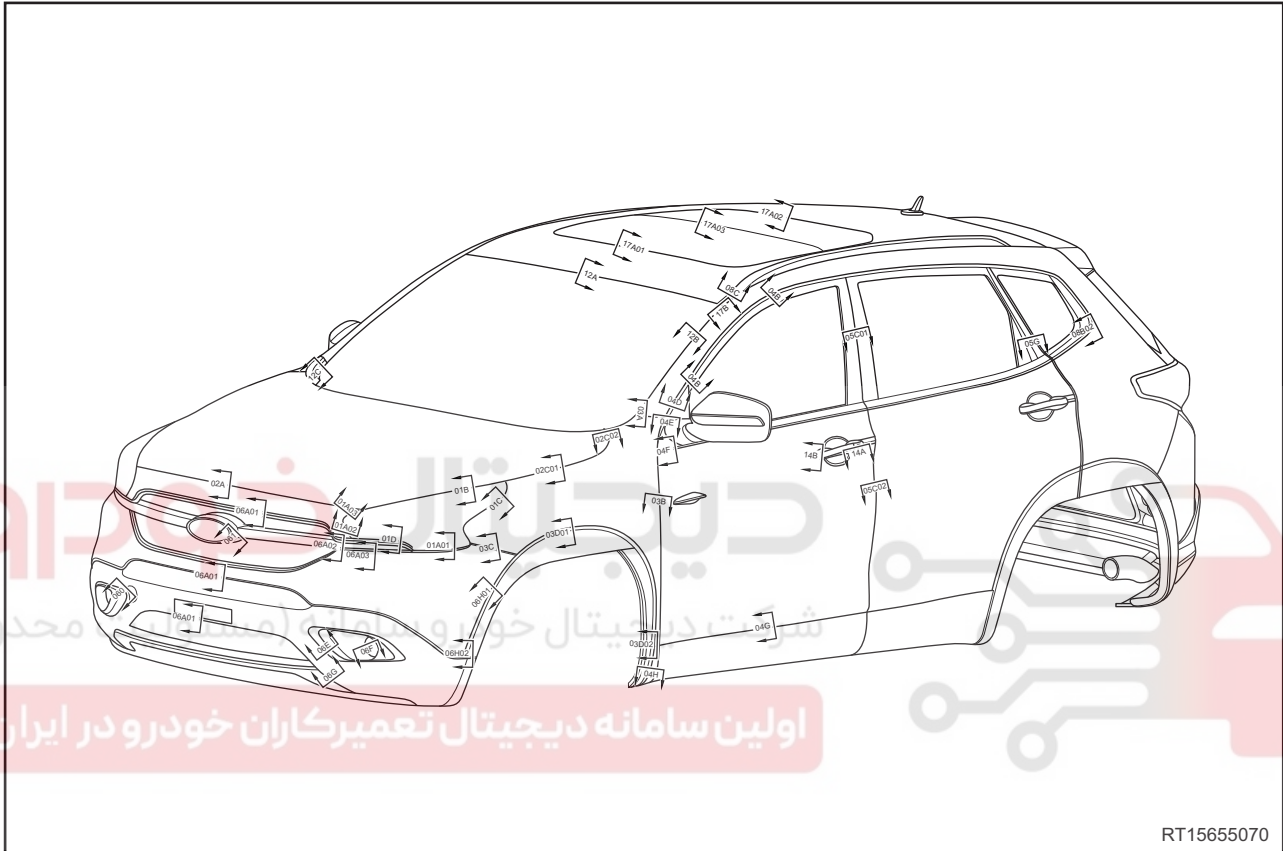
66

RT15650987

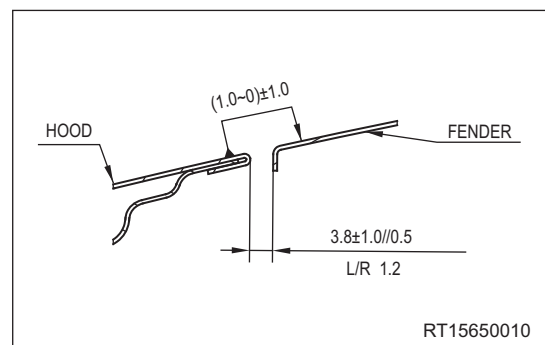
| Dimension Number | Standard Value | Measuring Area  |
|------------------|----------------|---|
| A                | 869.9 mm       | Diagonal distance between centers of sub frame installation holes |
| B                | 624.0 mm       | Distance between centers of sub frame installation holes          |
| C                | 913 mm         | Distance between centers of sub frame installation holes          |

### Front Body Assembly Clearances

1. Clearance is indicated by the standard distance measurement symbol  $\longleftrightarrow$ .
2. Flush measurement method and instructional symbol description:
  - a. Reference surface is indicated by  $\blacktriangle$ .
  - b. Reference surface is indicated by  $\rightarrow$ .
  - c. If level is higher than reference surface, number is positive, whereas negative.
  - d. All measurements are shown in millimeters (mm).

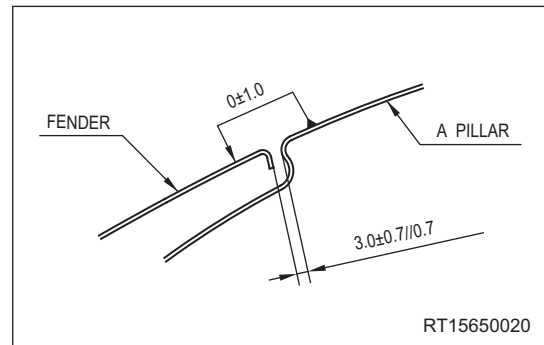


Standard clearance between hood and wing: 02C02

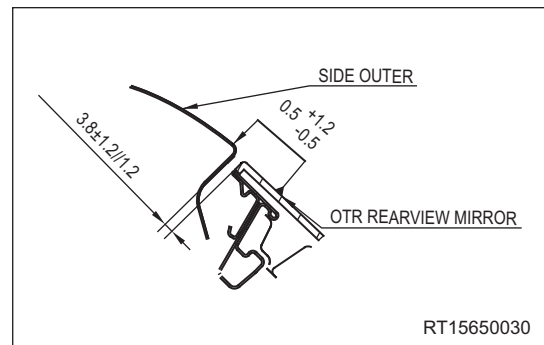


66 - BODY DIMENSIONS

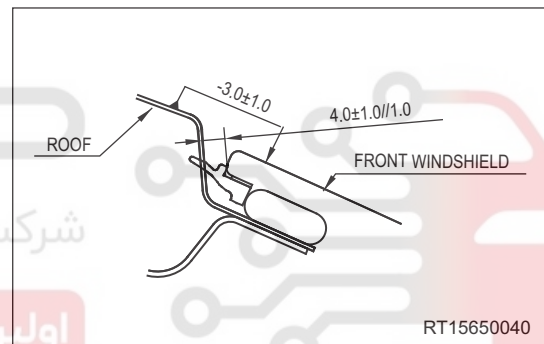
Standard clearance between wing and A-pillar: 03A



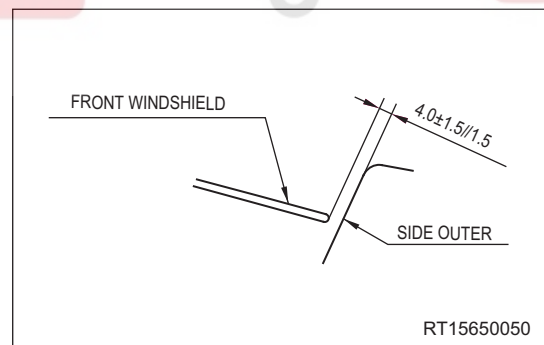
Standard clearance between quarter outer panel and outside rear view mirror: 04D



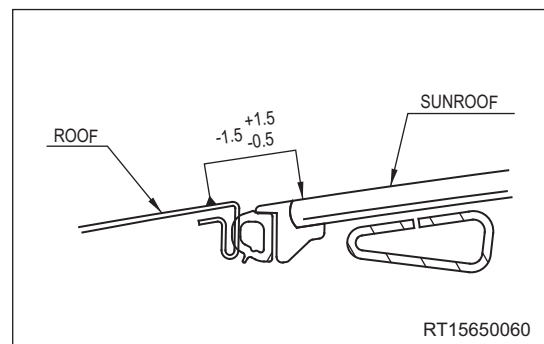
Standard clearance between roof and front windshield: 12A



Standard clearance between front windshield and quarter outer panel: 12B

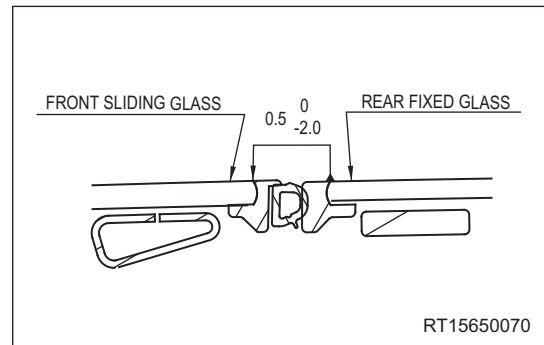


Standard clearance between roof and sunroof: 17A01

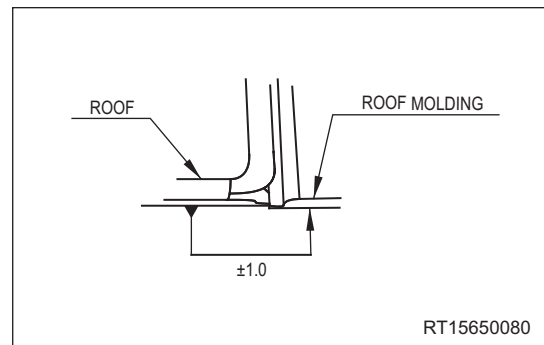




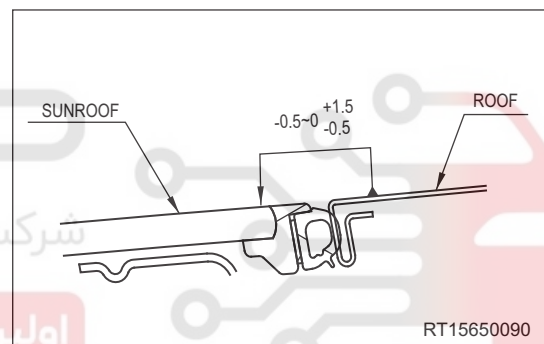
Standard clearance between front part and rear part of sunroof: 17A03



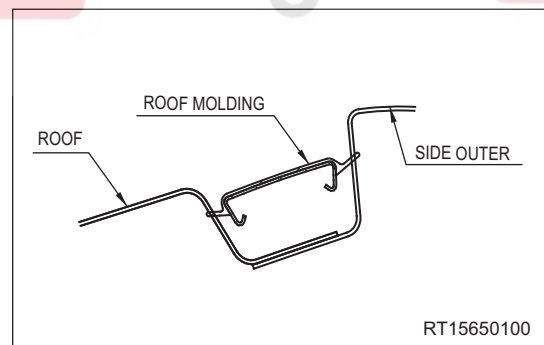
Standard clearance between roof and roof molding: 17B



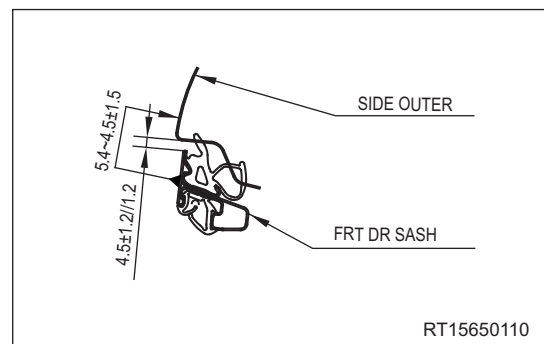
Standard clearance between sunroof and roof: 17A02



Standard clearance between roof molding and quarter and roof: 08C



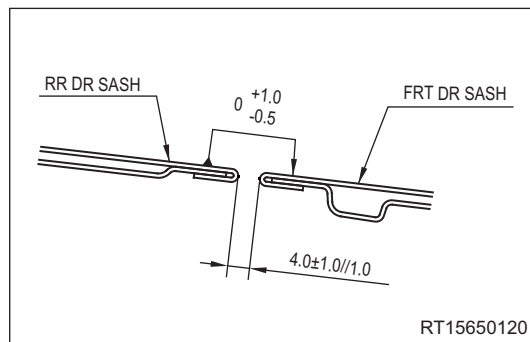
Standard clearance between quarter outer panel and front door upper window frame: 04B



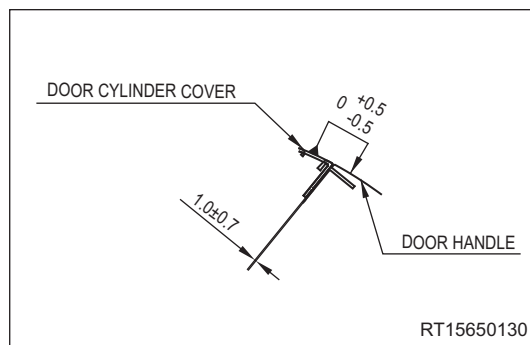
دیجیتال خودرو  
 شرکت دیجیتال خودرو سامانه (مسئولیت محدود)  
 اولین سامانه دیجیتال تعمیرکاران خودرو در ایران

66 - BODY DIMENSIONS

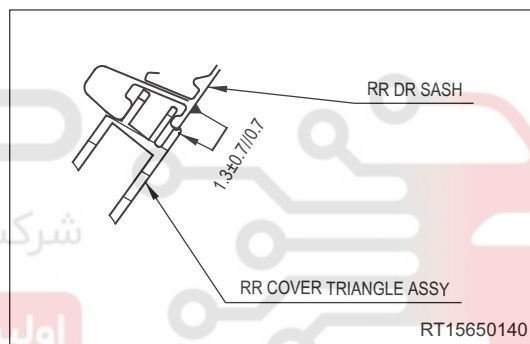
Standard clearance between rear door front window frame and front door rear window frame: 05C01



Standard clearance between cover plate and door handle: 14A



Standard clearance between rear door window frame and rear triangular block: 05G

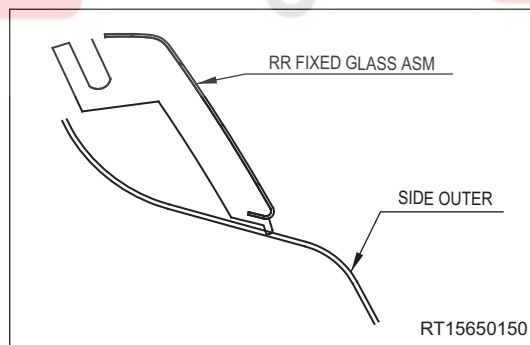


66

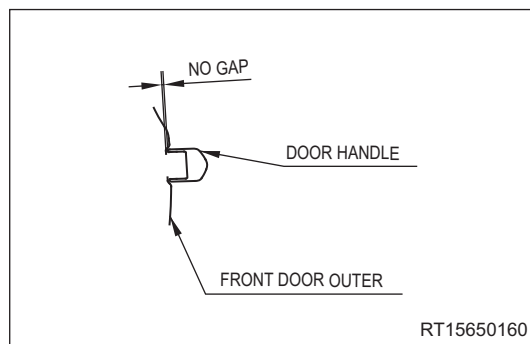
دیجیتال خودرو  
شرکت دیجیتال خودرو سامانه (مسئولیت محدود)

اولین سامانه دیجیتال تعمیرکاران خودرو در ایران

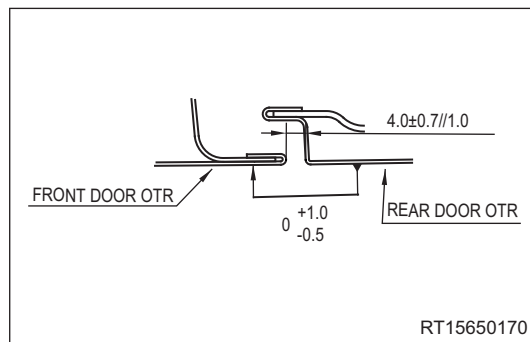
Standard clearance between rear side window glass assembly and quarter outer panel: 08B02



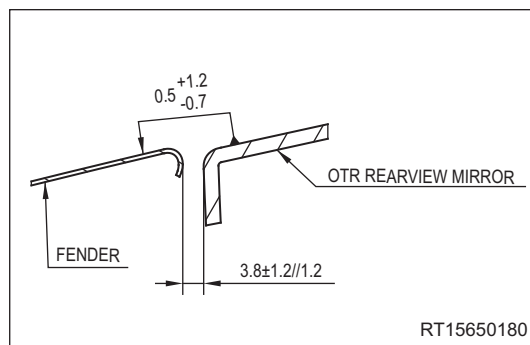
Standard clearance between door handle and front door outer panel: 14B



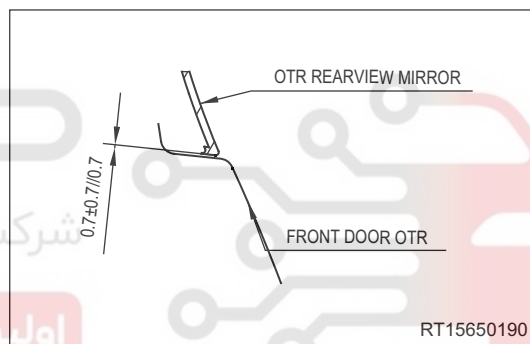
Standard clearance between front door outer panel and rear door outer panel: 05C02



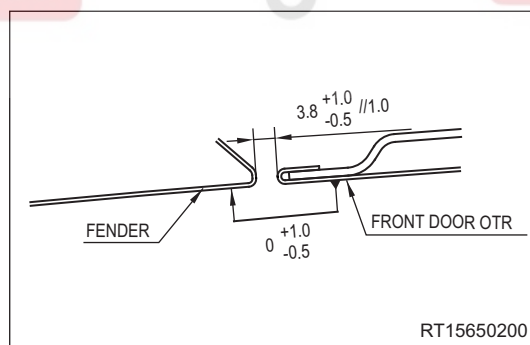
Standard clearance between wing and outside rear view mirror: 04E



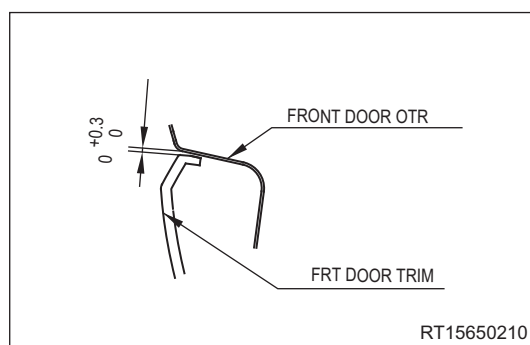
Standard clearance between outside rear view mirror and front door outer panel: 04F



Standard clearance between wing and front door outer panel: 03B

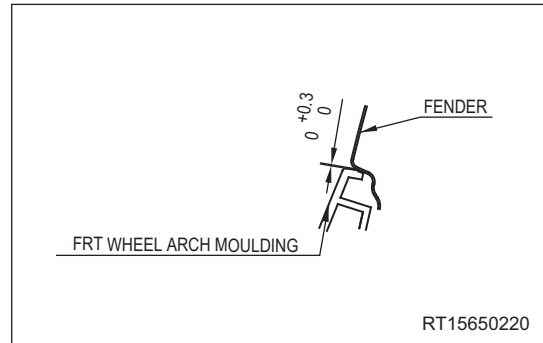


Standard clearance between front door outer panel and front door trim panel: 04G

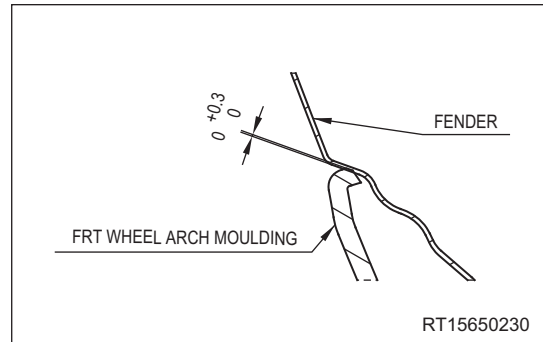


66 - BODY DIMENSIONS

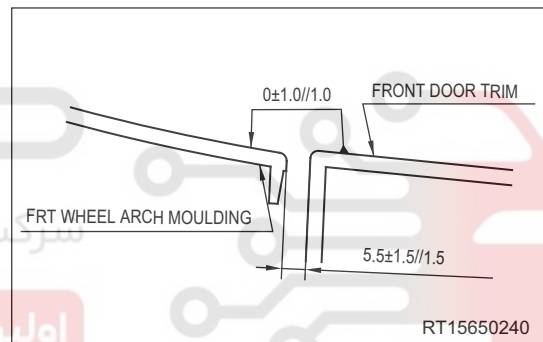
Standard clearance between wing and front wheel arch trim panel: 03D01



Standard clearance between wing and front wheel arch trim panel: 03D02



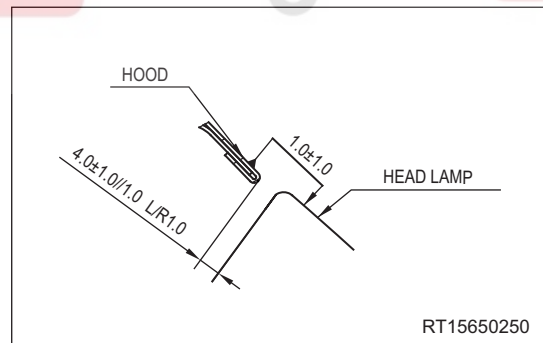
Standard clearance between front door trim panel and front wheel arch trim panel: 04H



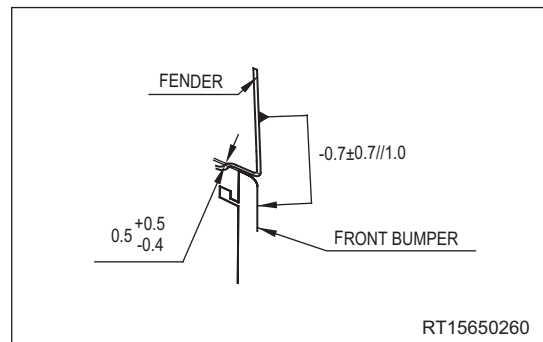
دیجیتال خودرو  
شرکت دیجیتال خودرو سامانه (مسئولیت محدود)

اولین سامانه دیجیتال تعمیرکاران خودرو در ایران

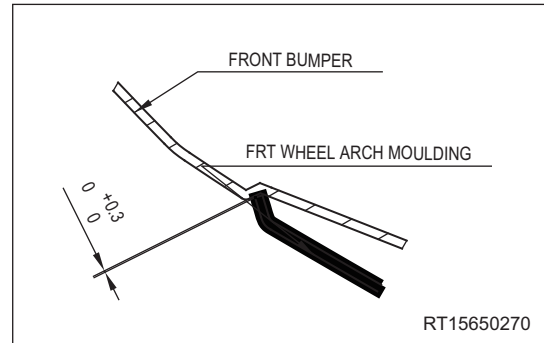
Standard clearance between hood and headlight: 01B



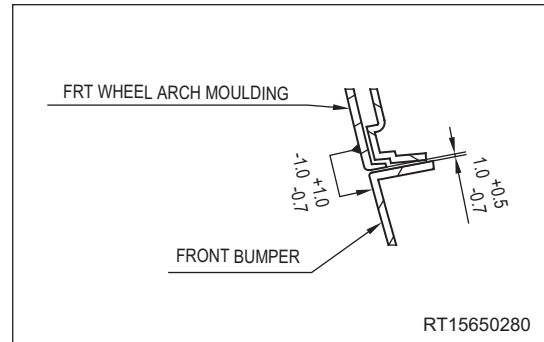
Standard clearance between wing and front bumper: 03C



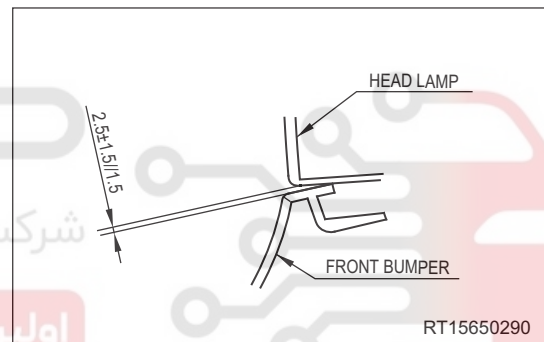
Standard clearance between front bumper and front wheel arch trim panel: 06H01



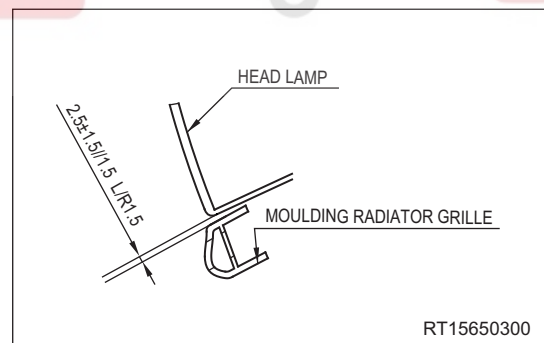
Standard clearance between front bumper and front wheel arch trim panel: 06H02



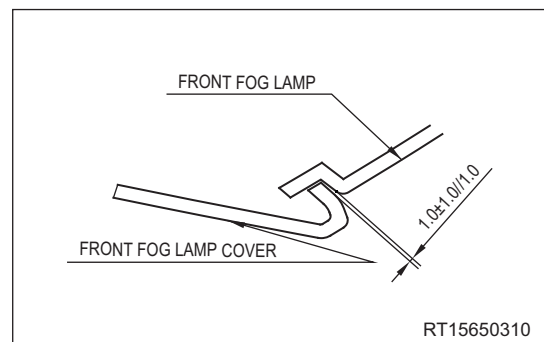
Standard clearance between front bumper and headlight: 01A01



Standard clearance between headlight and radiator grille strip: 01D



Standard clearance between front fog light and front fog light cover: 06F

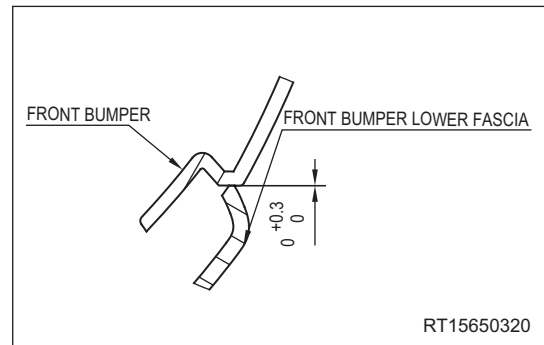


دیجیتال خودرو  
شرکت دیجیتال خودرو سامانه (مسئولیت محدود)

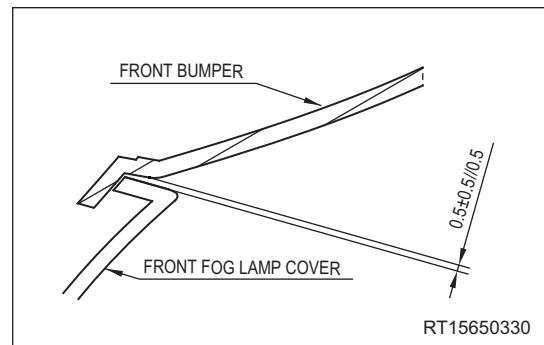
اولین سامانه دیجیتال تعمیرکاران خودرو در ایران

66 - BODY DIMENSIONS

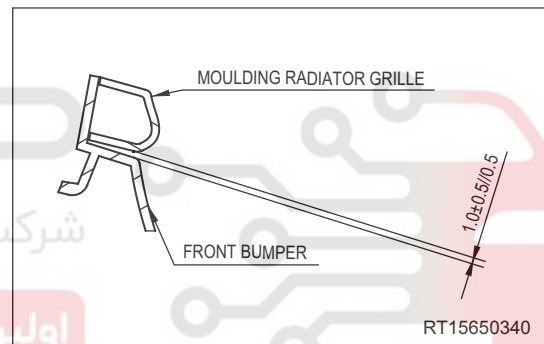
Standard clearance between front bumper lower trim board and front bumper: 06G



Standard clearance between front bumper and front fog light cover: 06E

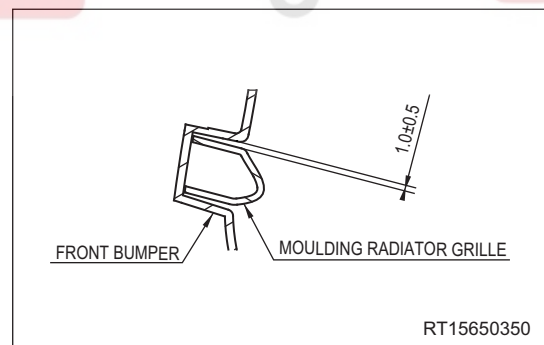


Standard clearance between radiator grille strip and front bumper: 06A03

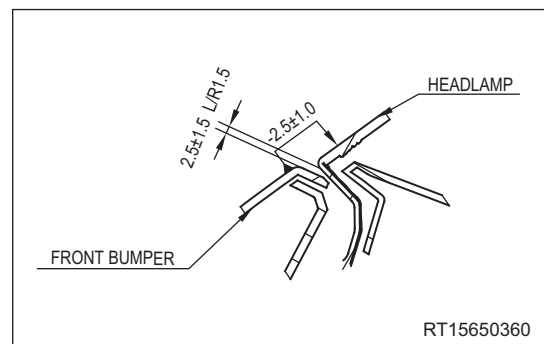


اولین سامانه دیجیتال تعمیرکاران خودرو در ایران

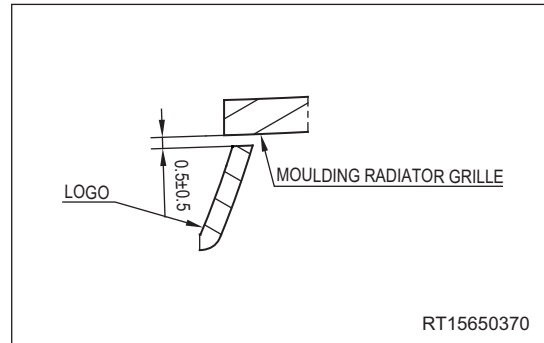
Standard clearance between radiator grille strip and front bumper: 06A02



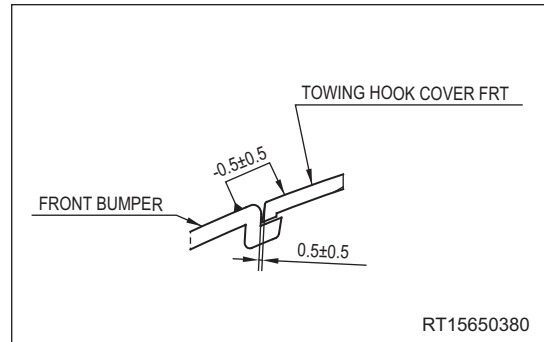
Standard clearance between front bumper and headlight: 01A02



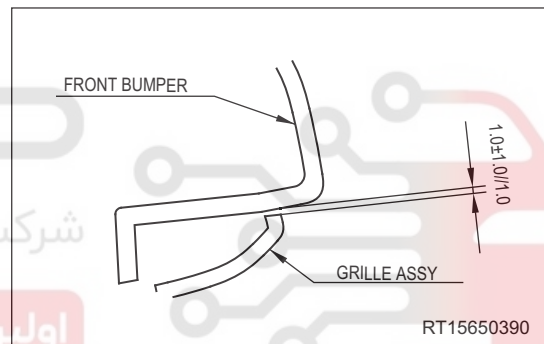
Standard clearance between front LOGO base and radiator grille strip: 061



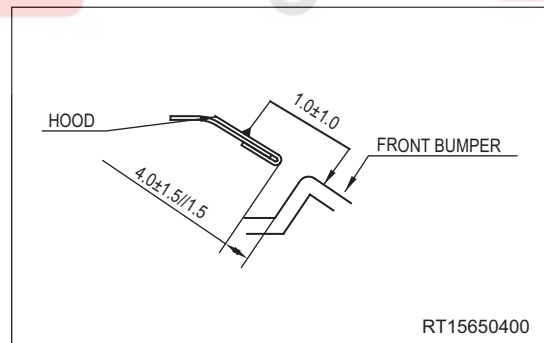
Standard clearance between front towing hook cover and front bumper: 06D



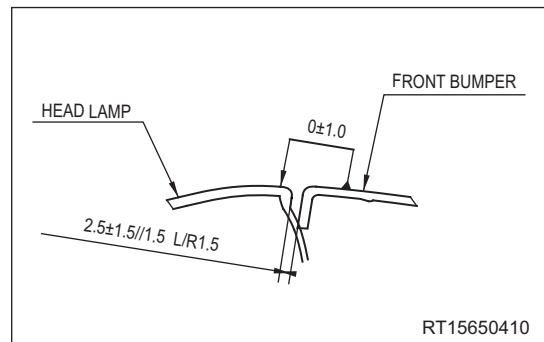
Standard clearance between front bumper and grille: 06A01



Standard clearance between hood and front bumper: 02A



Standard clearance between headlight and front bumper: 01A03

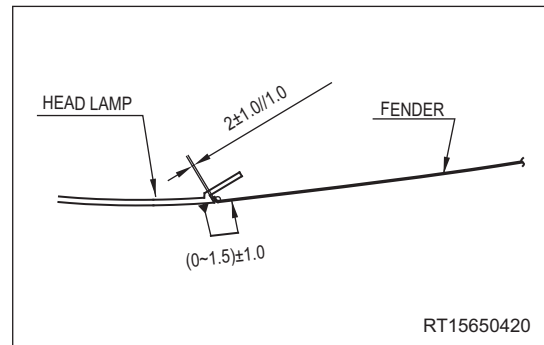


دیجیتال خودرو  
شرکت دیجیتال خودرو سامانه (مسئولیت محدود)

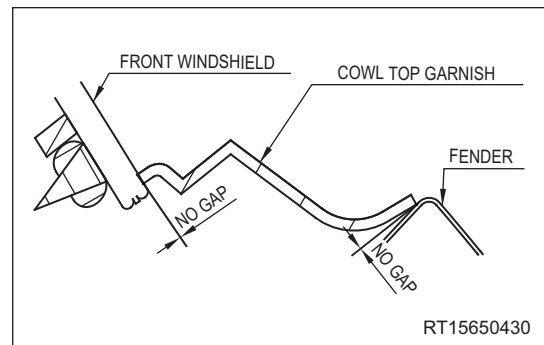
اولین سامانه دیجیتال تعمیرکاران خودرو در ایران

66 - BODY DIMENSIONS

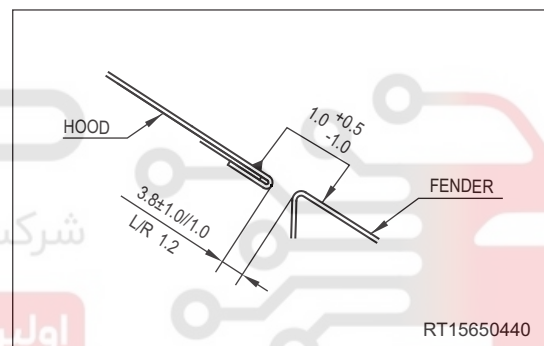
Standard clearance between headlight and wing: 01C



Standard clearance between front windshield lower trim board and front windshield and wing: 12C



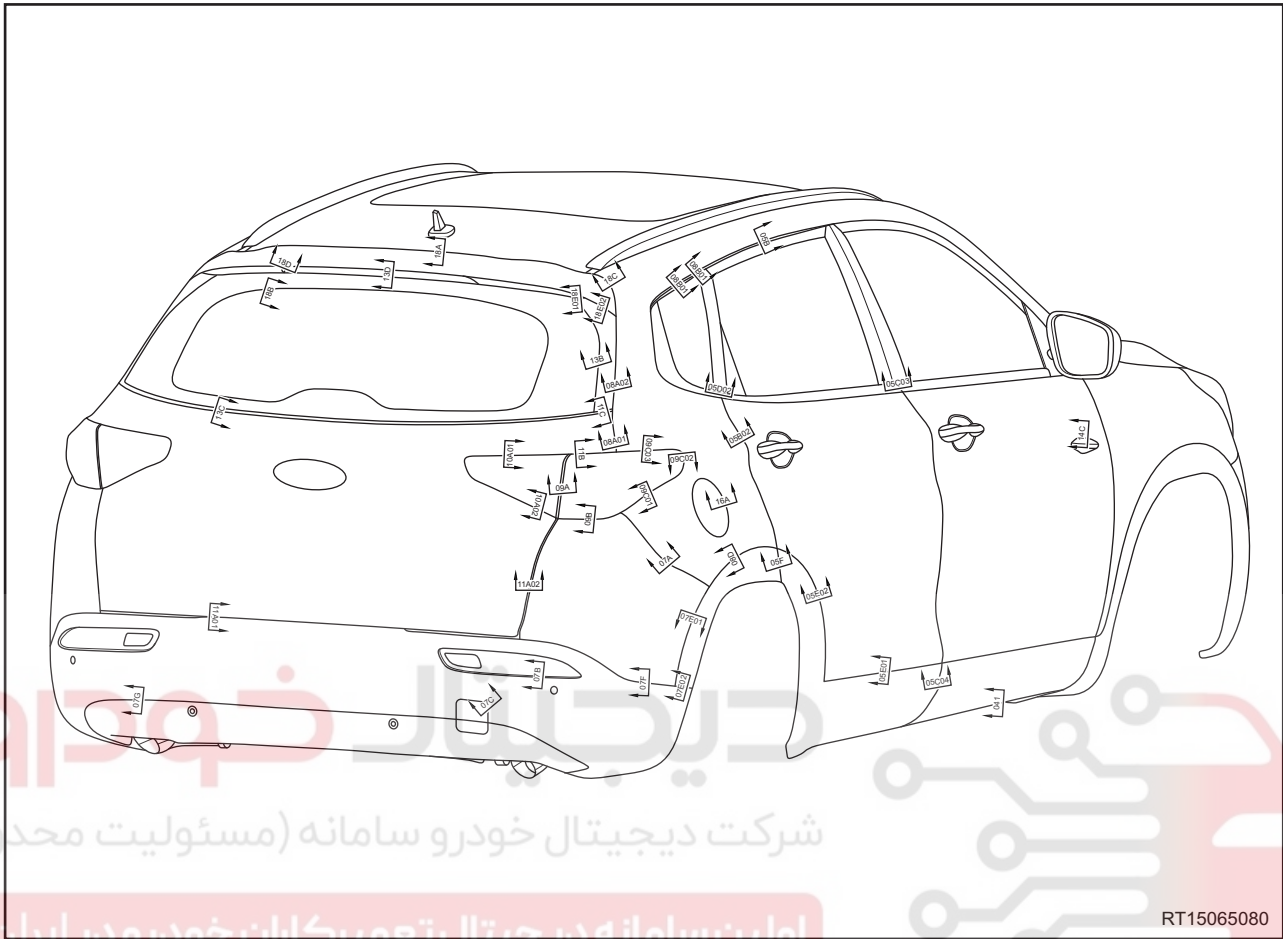
Standard clearance between hood and wing: 02C01





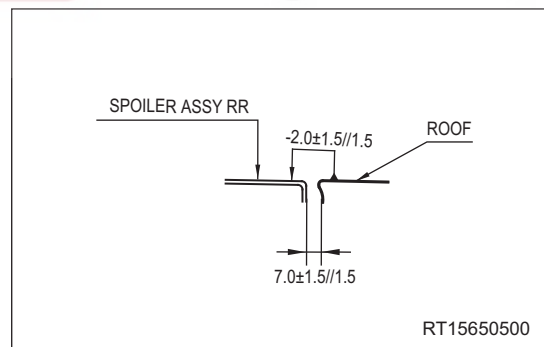
### Rear Body Assembly Clearances

#### Rear View



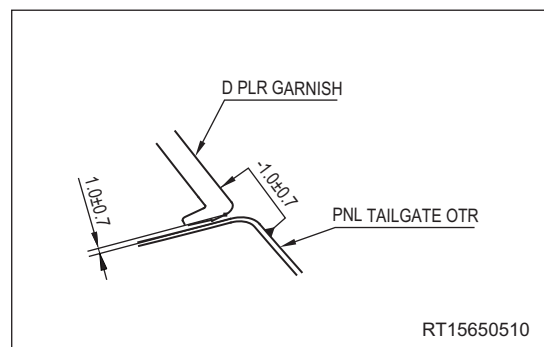
RT15065080

Standard clearance between spoiler assembly and roof



RT15650500

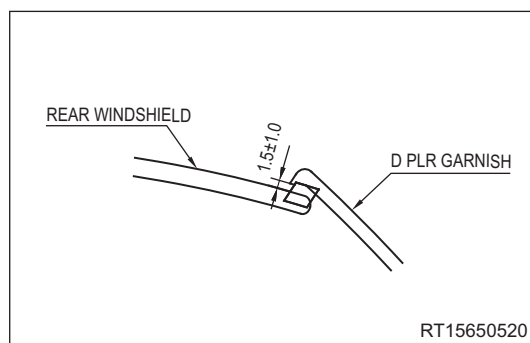
Standard clearance between D-pillar trim board and luggage compartment door outer panel: 11C



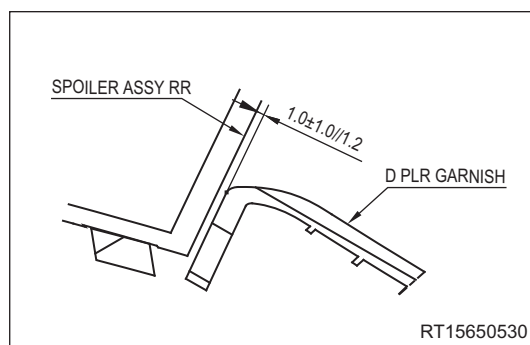
RT15650510

66 - BODY DIMENSIONS

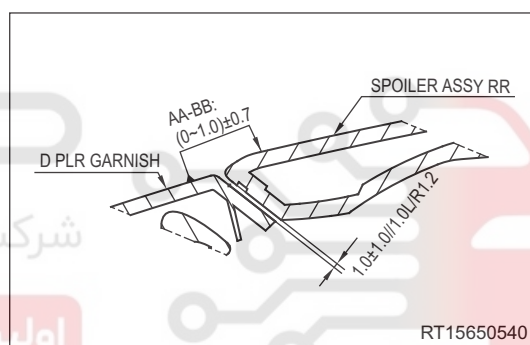
Standard clearance between rear windshield and D-pillar trim board: 13B



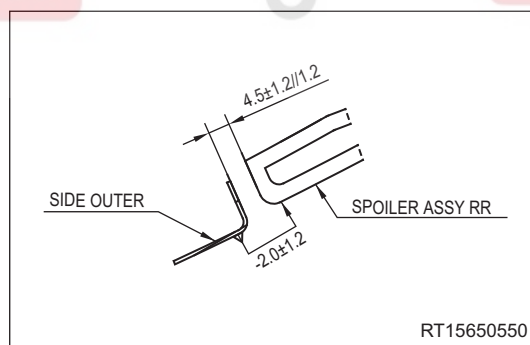
Standard clearance between spoiler assembly and D-pillar trim board: 18E01



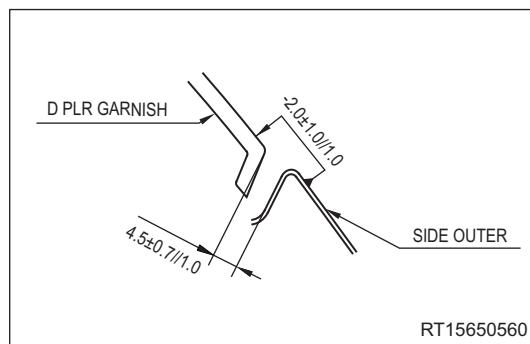
Standard clearance between D-pillar trim board and spoiler assembly: 18E02



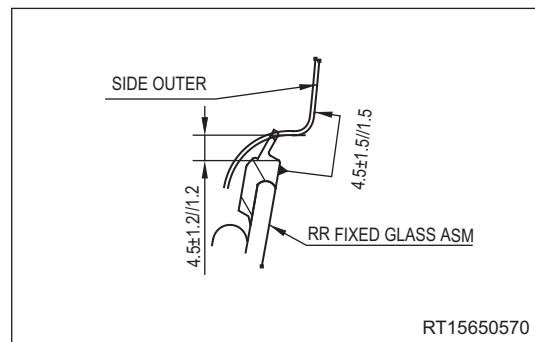
Standard clearance between quarter outer panel and spoiler assembly: 18C



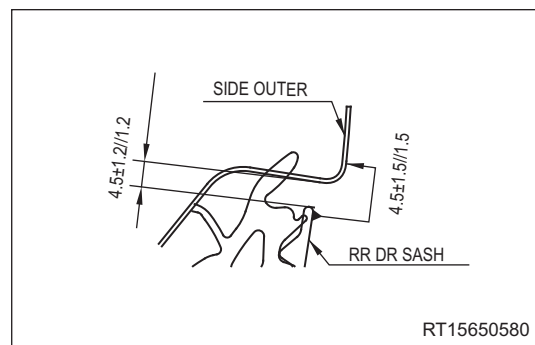
Standard clearance between D-pillar trim board and quarter outer panel: 08A02



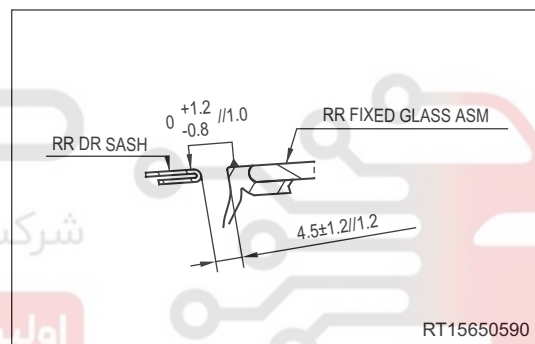
Standard clearance between quarter outer panel and rear side window glass assembly: 08B01



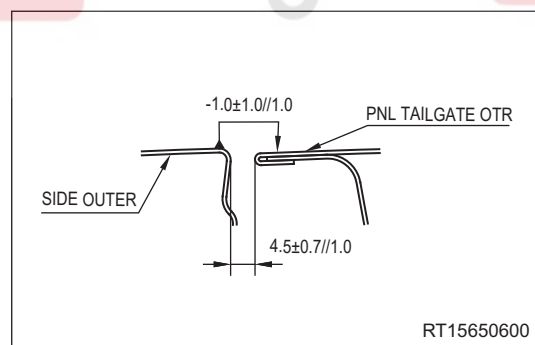
Standard clearance between quarter outer panel and rear door upper window frame: 05B



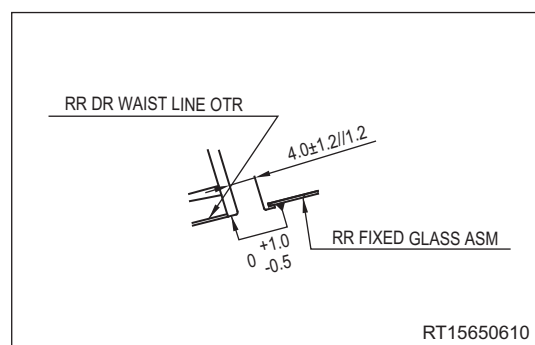
Standard clearance between rear door window frame and rear side window glass assembly: 05D01



Standard clearance between quarter outer panel and luggage compartment door outer panel: 08A01



Standard clearance between rear door glass outer weather bar and rear side window glass assembly: 05D02

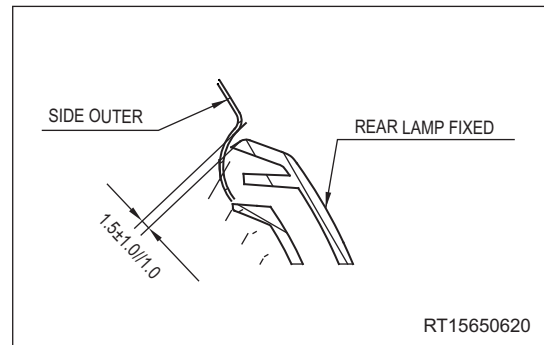


دیجیتال خودرو  
شرکت دیجیتال خودرو سامانه (مسئولیت محدود)

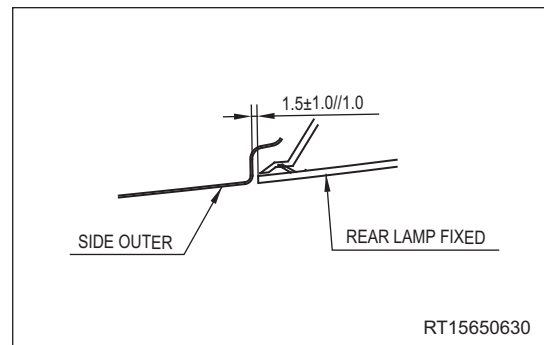
اولین سامانه دیجیتال تعمیرکاران خودرو در ایران

66 - BODY DIMENSIONS

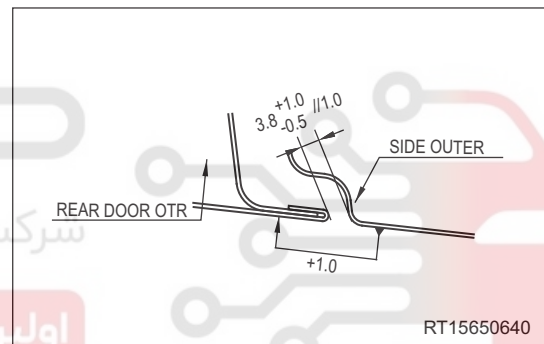
Standard clearance between quarter outer panel and taillight: 09C03



Standard clearance between quarter outer panel and taillight: 09C02



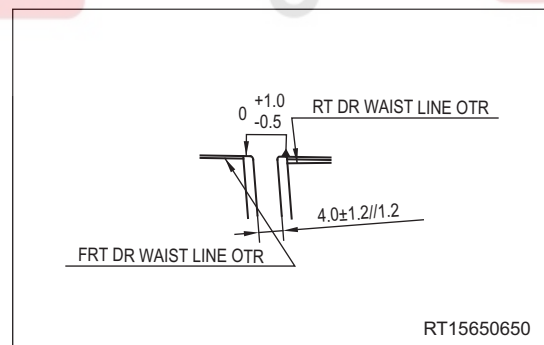
Standard clearance between quarter outer panel and rear door outer panel: 05B02



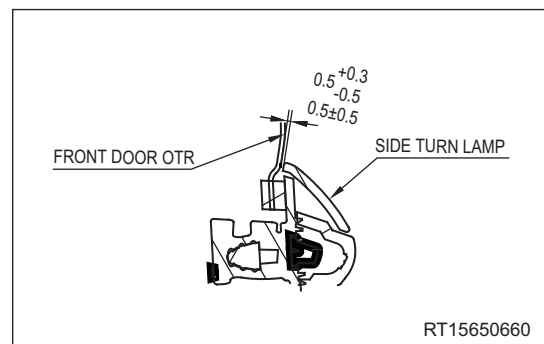
دیجیتال خودرو  
 شرکت دیجیتال خودرو سامانه (مسئولیت محدود)

اولین سامانه دیجیتال تعمیرکاران خودرو در ایران

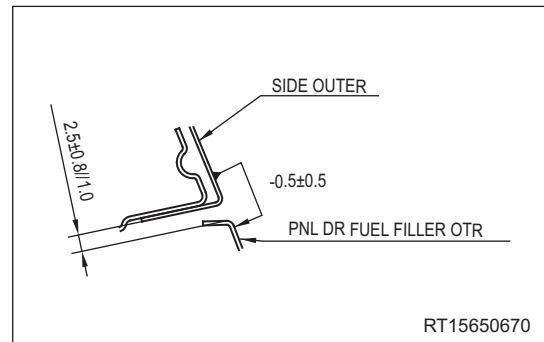
Standard clearance between front door glass outer weather bar and rear door glass outer weather bar: 05C03



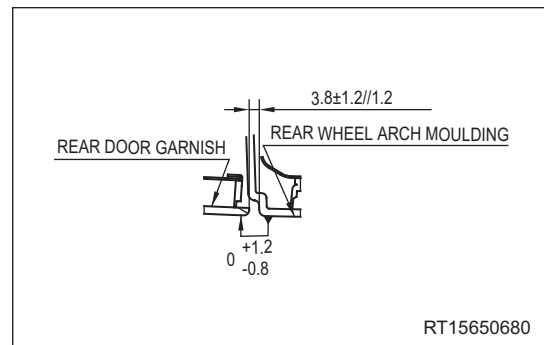
Standard clearance between front door outer panel and side turn signal light: 14C



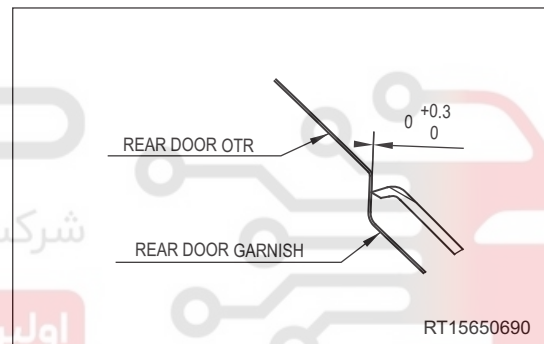
Standard clearance between quarter outer panel and fuel filler door outer panel: 16A



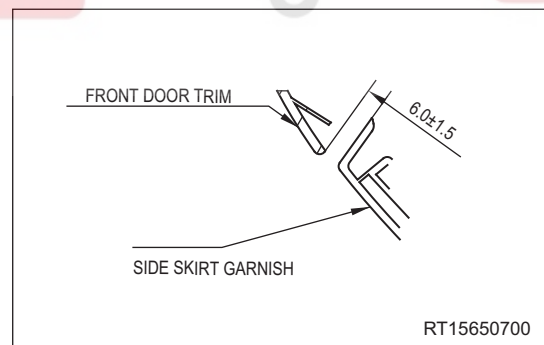
Standard clearance between rear door trim panel and rear wheel arch trim panel: 05F



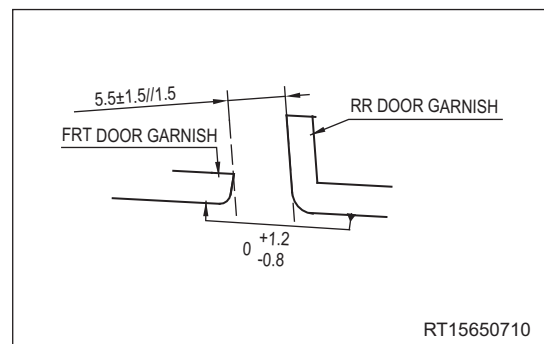
Standard clearance between rear door outer panel and rear door trim panel: 05E02



Standard clearance between front door trim panel and side skirt outer panel: 041



Standard clearance between front door trim panel and rear door trim panel: 05C04

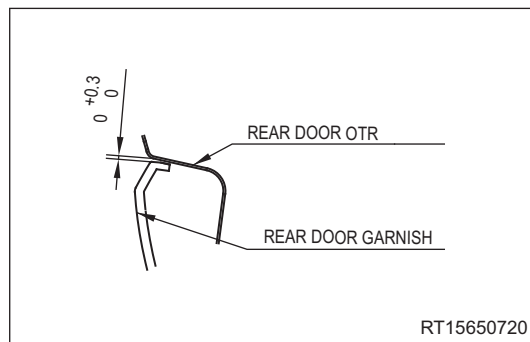


دیجیتال خودرو  
شرکت دیجیتال خودرو سامانه (مسئولیت محدود)

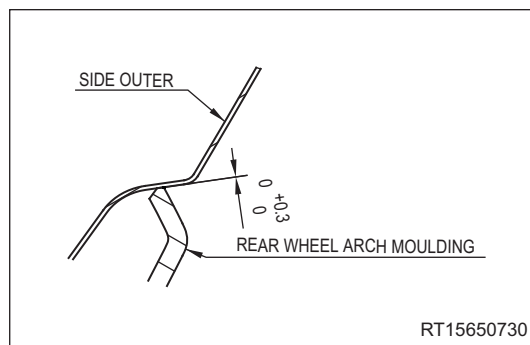
اولین سامانه دیجیتال تعمیرکاران خودرو در ایران

66 - BODY DIMENSIONS

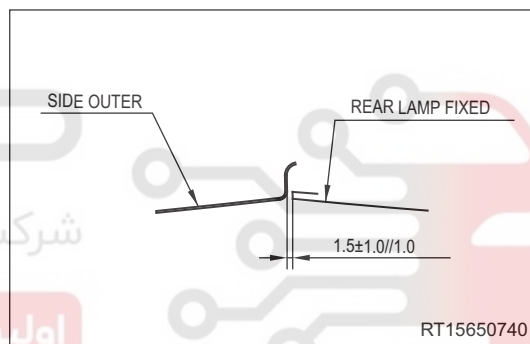
Standard clearance between rear door outer panel and rear door trim panel: 05E01



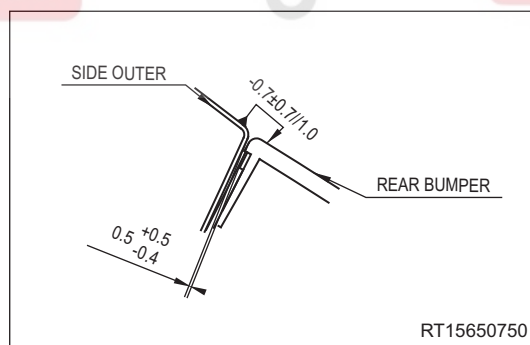
Standard clearance between quarter outer panel and rear wheel arch trim panel: 08D



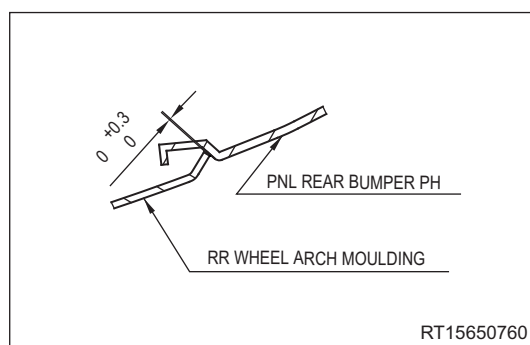
Standard clearance between quarter outer panel and taillight: 09C01



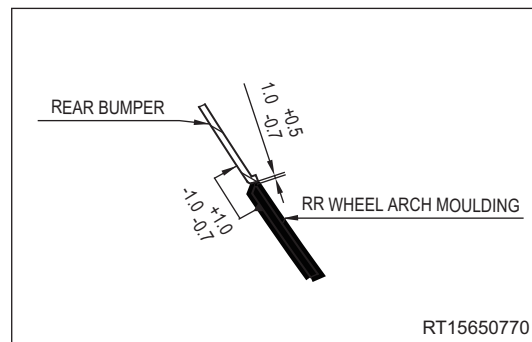
Standard clearance between quarter outer panel and rear bumper: 07A



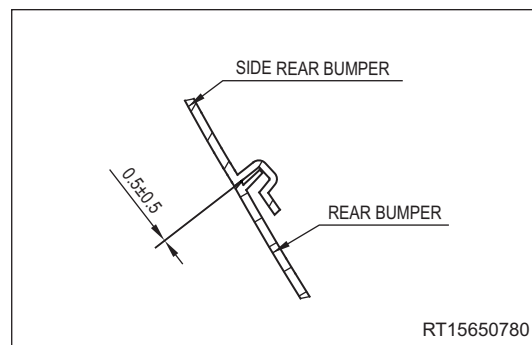
Standard clearance between right of rear bumper and rear wheel arch trim panel: 07E01



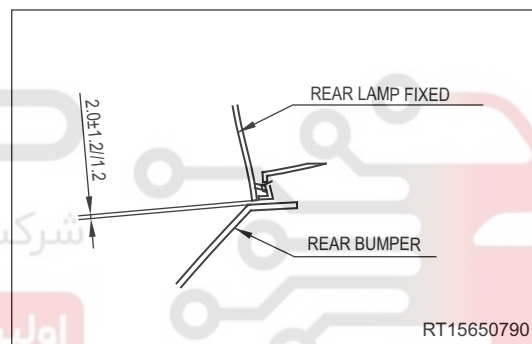
Standard clearance between rear bumper and rear wheel arch trim panel: 07E02



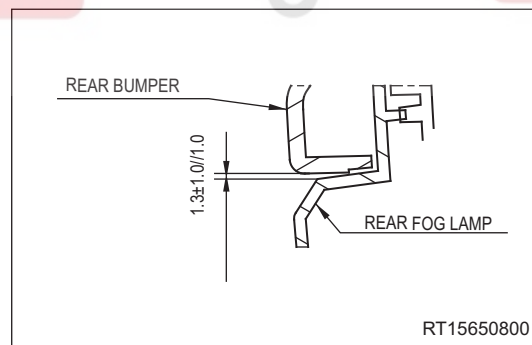
Standard clearance between right of rear bumper and rear bumper: 07F



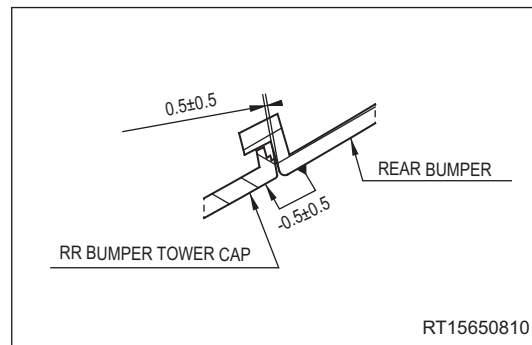
Standard clearance between taillight and rear bumper: 09B



Standard clearance between rear bumper and rear fog light: 07B



Standard clearance between rear bumper towing hook cover and rear bumper: 07C

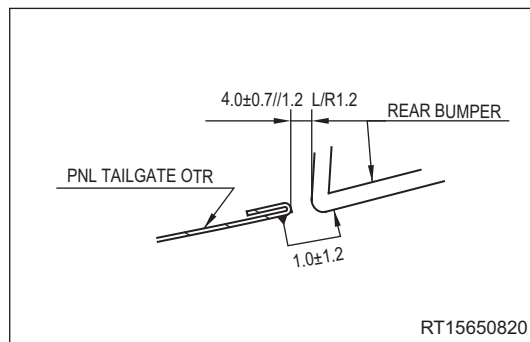


دیجیتال خودرو  
شرکت دیجیتال خودرو سامانه (مسئولیت محدود)

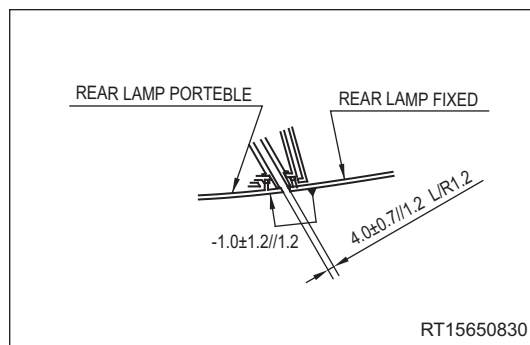
اولین سامانه دیجیتال تعمیرکاران خودرو در ایران

66 - BODY DIMENSIONS

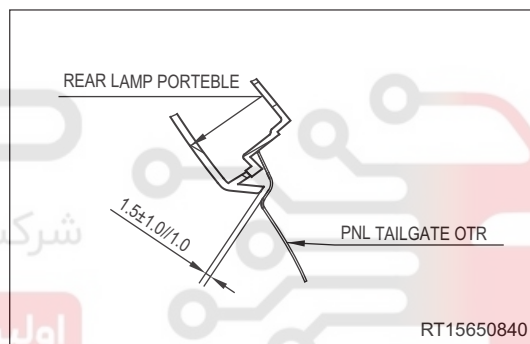
Standard clearance between luggage compartment door outer panel and rear bumper: 11A02



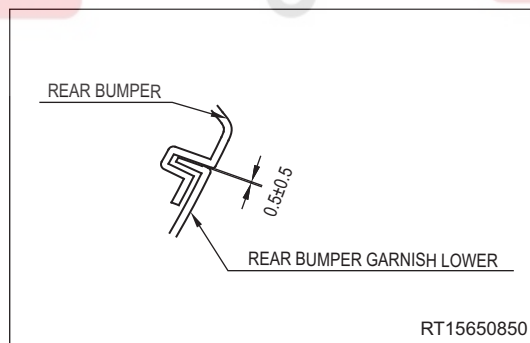
Standard clearance between taillight and taillight: 09A



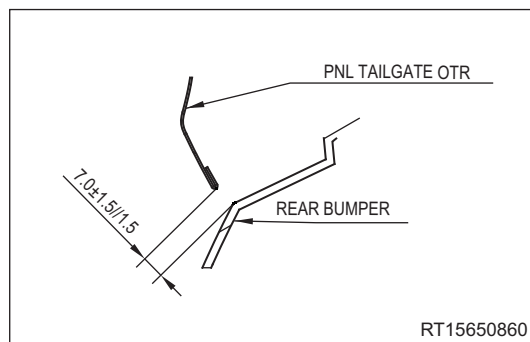
Standard clearance between taillight and luggage compartment door outer panel: 10A02



Standard clearance between rear bumper and rear bumper lower trim board: 07G

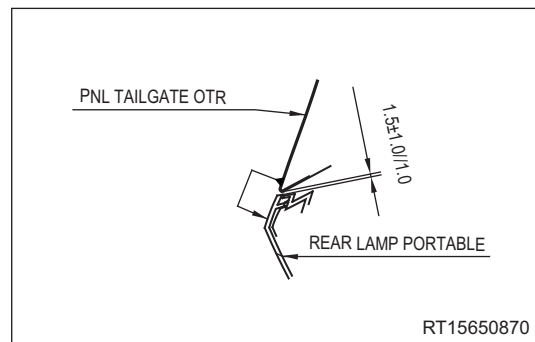


Standard clearance between luggage compartment door outer panel and rear bumper: 11A01

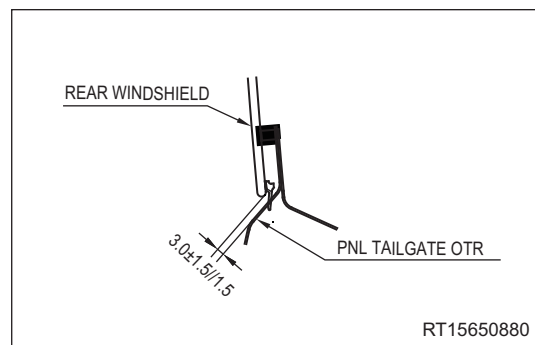




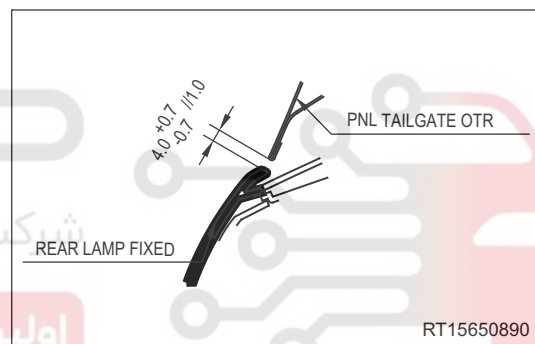
Standard clearance between luggage compartment door outer panel and taillight: 10A01



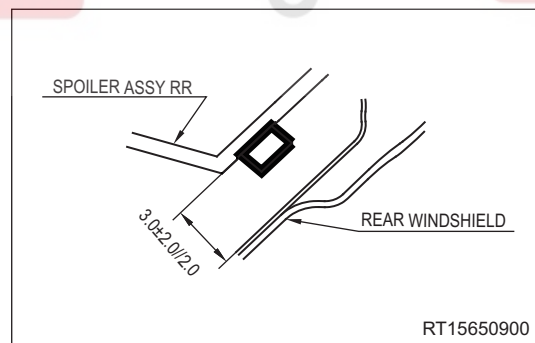
Standard clearance between rear windshield and luggage compartment door outer panel: 13C



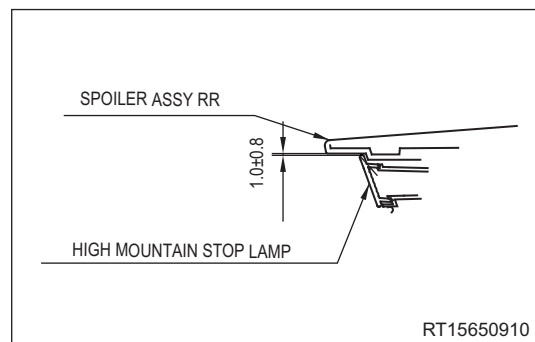
Standard clearance between luggage compartment door outer panel and taillight: 11B



Standard clearance between spoiler assembly and rear windshield: 18B

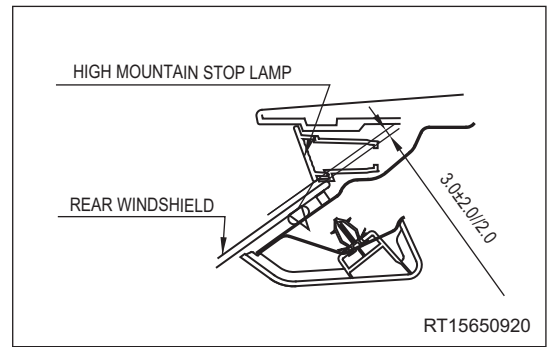


Standard clearance between spoiler assembly and high mounted stop light: 18D



66 - BODY DIMENSIONS

Standard clearance between high mounted stop light and rear windshield: 13D



دیجیتال خودرو

شرکت دیجیتال خودرو سامانه (مسئولیت محدود)

اولین سامانه دیجیتال تعمیرکاران خودرو در ایران

