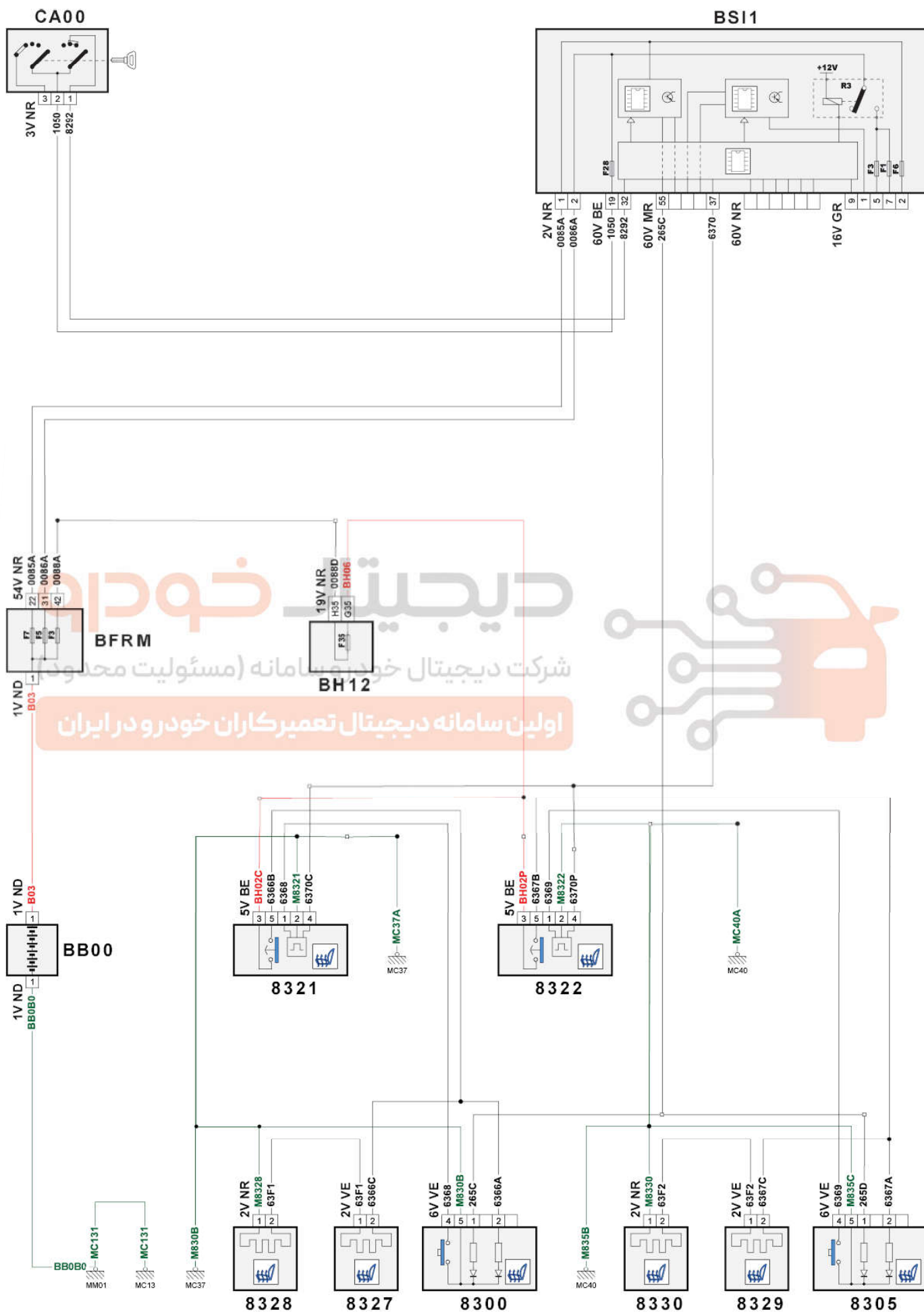


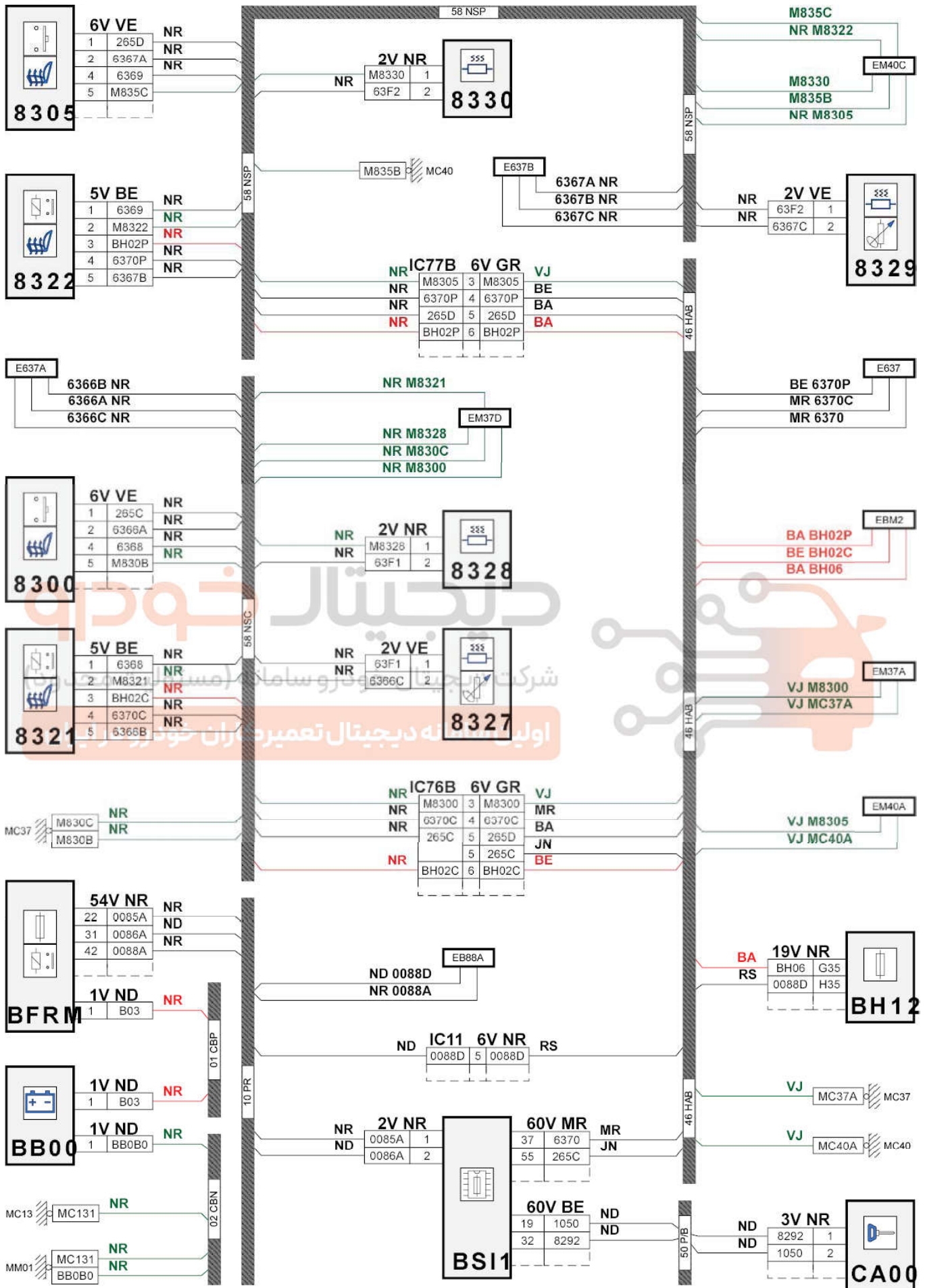
Heated Seats



دیجیتال خودرو  
 شرکت دیجیتال خودرو سامانه (مسئولیت محدود)  
 اولین سامانه دیجیتال تعمیرکاران خودرو در ایران



Heated Seats



D3CZHKUG

item code	description	information
8300	null	driver's heated seat switch
8305	null	passenger's heated seat switch
8321	null	heated seat timer relay (driver)
8322	null	heated seat timer relay (passenger)
8327	null	driver's seat cushion heated pad
8328	null	driver's seat backrest heating element
8329	null	passenger's seat cushion heated pad
8330	null	passenger's seat backrest heating element
BB00	null	ancillaries battery
BFRM	null	engine fuse and relay box
BH12	null	passenger compartment fuse box /, 12 fuses
BSI1	null	built-in systems interface
CA00	null	ignition switch
E637	null	crimp one information (or equipotential 637) wire
E637A	null	crimp one information (or equipotential 637A) wire
E637B	null	crimp one information (or equipotential 637B) wire
EB88A	null	splice of a "battery +" protected by fuse no. 88A
EBM2	null	splice of a "battery +" protected by maxi fuse no. 2
EM37A	null	crimp earth (earth point number 37A)
EM37D	null	crimp earth (earth point number 37)
EM40A	null	crimp earth (earth point number 40A)
EM40C	null	crimp earth (earth point number 40C)
MC13	null	body earth point number 13
MC37A	null	body earth point number 37A
MC37E	null	body earth point number 37
MC40A	null	body earth point number 40
MC40C	null	body earth point 40C
MM01	null	engine earth point number 01

شرکت دیجیتال خودرو سامانه (مسئولیت محدود)

اولین سامانه دیجیتال تعمیرکاران خودرو در ایران

