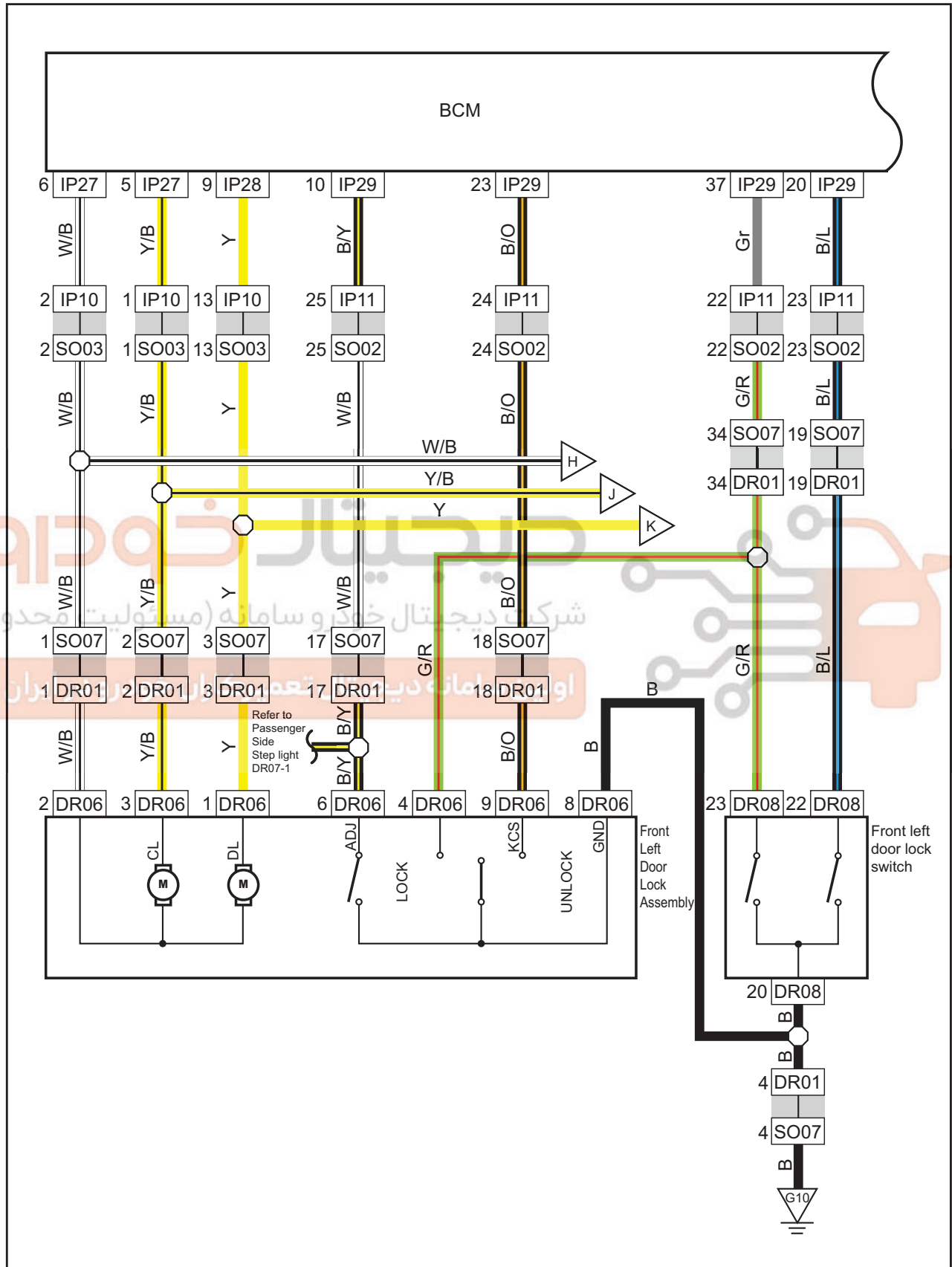


Central lock 1

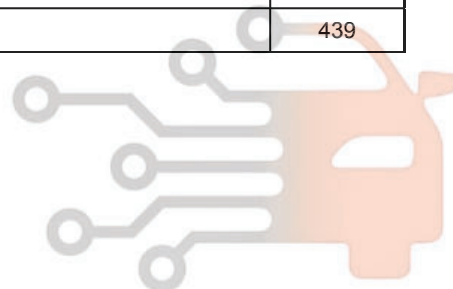


Harness connector	Name	Pages
DR01	Front left door connected to body harness connector	114
DR06	Harness connector of front left door lock motor	114
DR08	Harness connector of front left power window switch	114
IP10	To body harness connector	80
IP11	To body harness connector	80
IP27	Harness connector of body control module 3	80
IP29	Harness connector of body control module 1	80
SO02	To instrument harness connector	97/106
SO03	To instrument harness connector	97/106
SO07	To front left door harness connector	97/106
G10	Body harness grounding	126/127/128

Connection point	Name	Pages
H	Central lock control	439
J	Central lock control	439
K	Central lock control	439

دیجیتال خودرو
شرکت دیجیتال خودرو سامانه (مسئولیت محدود)

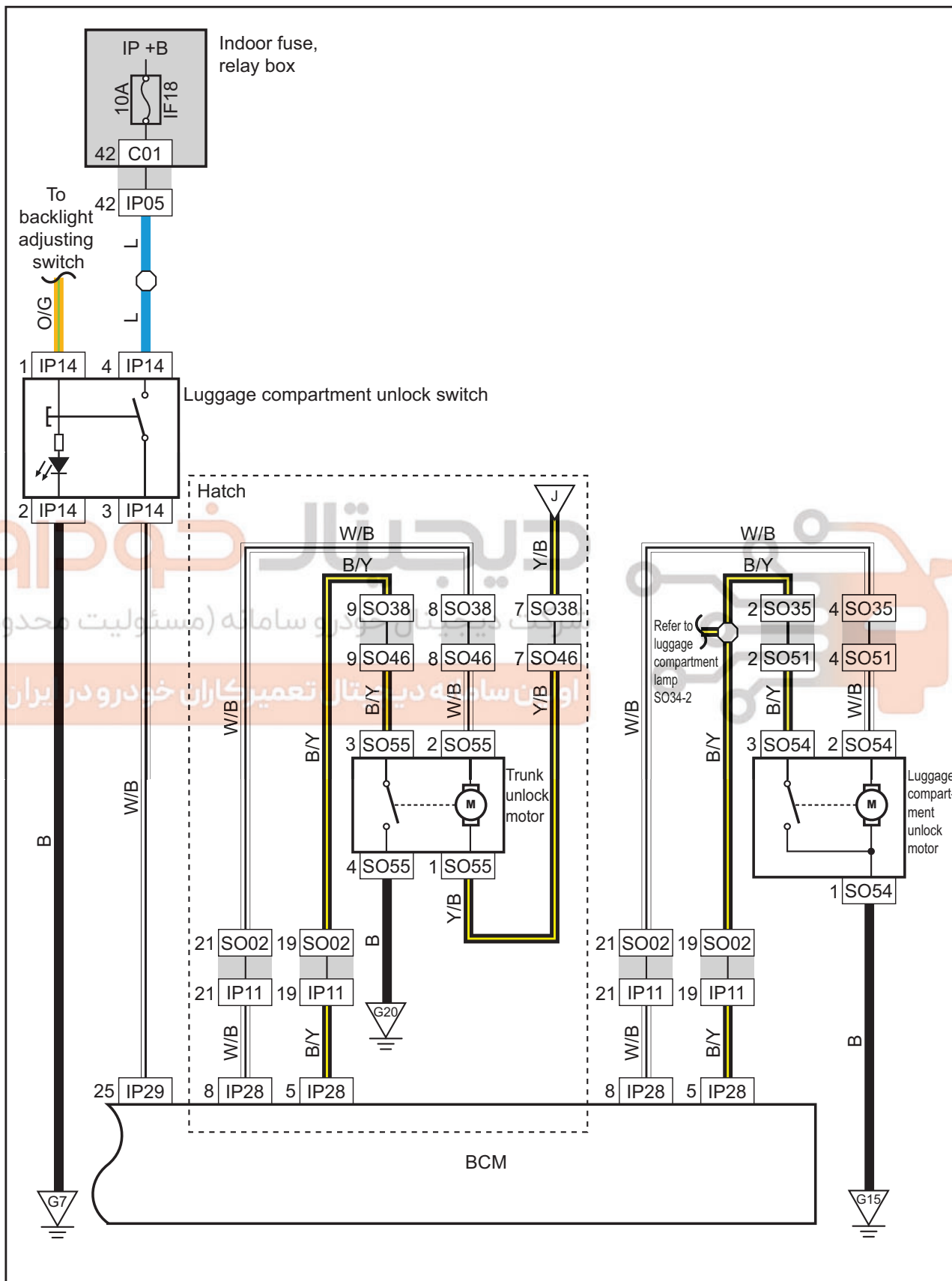
اولین سامانه دیجیتال تعمیرکاران خودرو در ایران



Harness connector	Name	Pages
DR11	Front right door connected to body harness connector	114
DR16	Front right door lock harness connector	114
DR21	To body harness connector	118
DR26	Harness connector of rear left door lock	118
DR31	To body harness connector	118
DR36	Harness connector of rear right door lock	118
IP11	To body harness connector	80
IP19	Wiper combination switch harness connector	80
IP29	Harness connector of body control module 1	80
IP49	To body harness connector	80
SO01	To instrument harness connector	97/106
SO02	To instrument harness connector	97/106
SO05	To front right door harness connector	97/106
SO14	To rear right door harness connector	97/106
SO27	To rear left door harness connector	97/106
G11	Body harness grounding	126/127/128
G13	Body harness grounding	126/127/128

Connection point	Name	Pages
H	Central lock control	437
J	Central lock control	437
K	Central lock control	437

Central lock3-luggage compartment (trunk)



Harness connector	Name	Pages
C01	Rear Connector of Indoor Fuse Box	17
IP05	To harness connector of indoor fuse & relay box	80
IP11	To body harness connector	80
IP14	Luggage compartment unlock switch harness connector	80
IP28	Harness connector of body control module 2	80
SO02	To instrument harness connector	97/106
SO35 (Sedan)	To instrument harness connector	97
SO38 (Hatch)	To harness connector of tail door	106
SO46 (Hatch)	To body harness connector	107
SO51 (Sedan)	To body harness connector	97
SO54 (Sedan)	Harness connector of luggage compartment lock	97
SO55 (Hatch)	Trunk lock harness connector	107
G7	Instrument panel grounding	125
G15 (Sedan)	Body harness grounding (Sedan)	126/127
G20 (Hatch)	Backdoor grounding (Hatch)	129

Connection point	Name	Pages
IP14-1	To backlight adjusting switch	517
	Central lock control	437

اولین سامانه دیجیتال تعمیرکاران خودرو در ایران