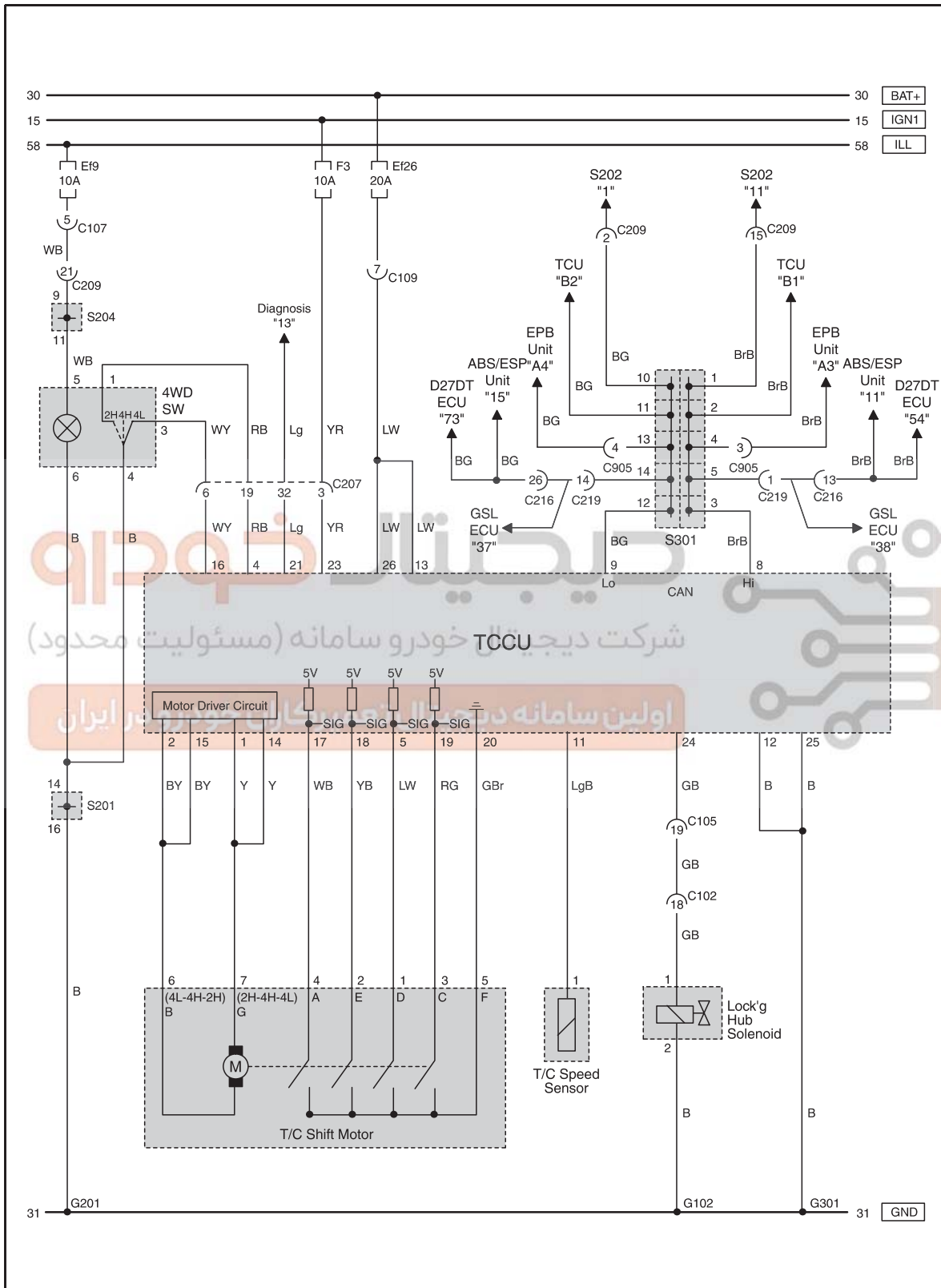


3410-01 TCCU



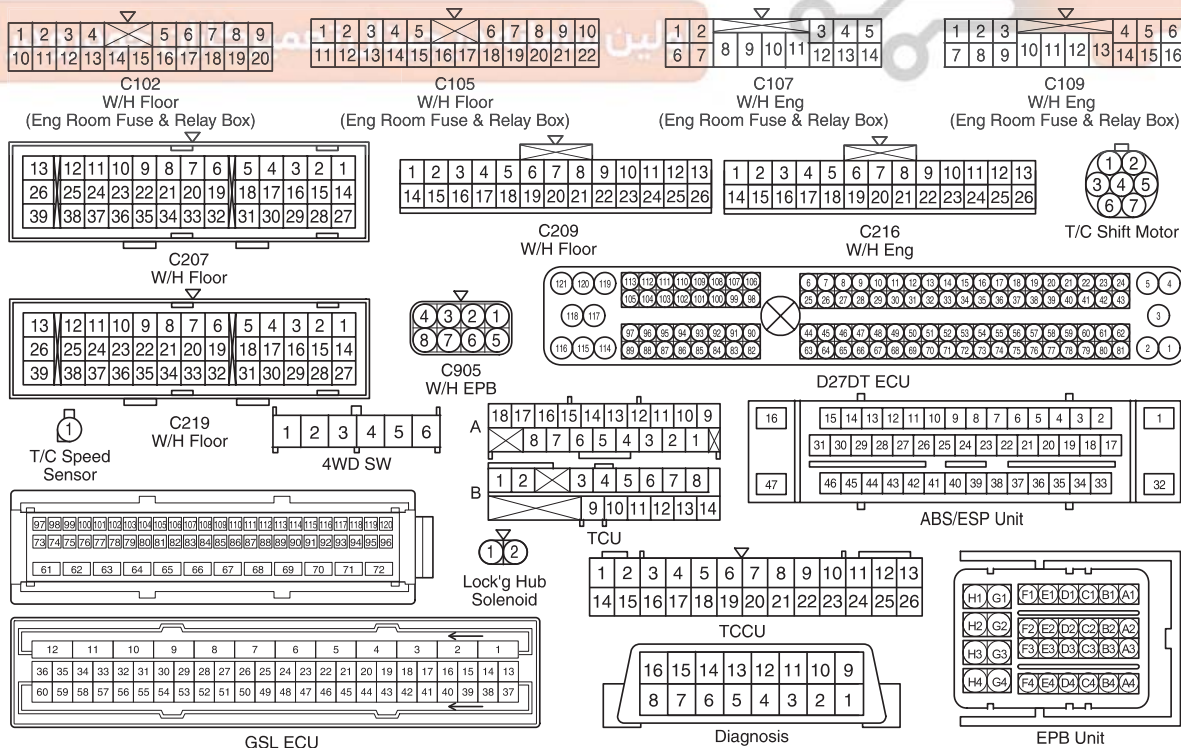
CIRCUIT
REXTON 2010.01

Modification basis	
Application basis	
Affected VIN	

(1) CONNECTOR INFORMATION

Connector Number (Pin Number, Color)	Connecting Wiring Harness	Connector Position	Remark
C102 (20Pin, White)	W/H Floor - Eng Room Fuse & Relay Box	Eng Room Fuse & Relay Box	
C105 (22Pin, White)	W/H Floor - Eng Room Fuse & Relay Box	Eng Room Fuse & Relay Box	
C107 (14Pin, White)	W/H Eng - Eng Room Fuse & Relay Box	Eng Room Fuse & Relay Box	
C109 (16Pin, White)	W/H Eng - Eng Room Fuse & Relay Box	Eng Room Fuse & Relay Box	
C207 (39Pin, Gray)	W/H Main - W/H Floor	Driver Cowl Side C/Holder	C/Holder
C209 (26Pin, Black)	W/H Main - W/H Floor	Driver Cowl Side C/Holder	C/Holder
C216 (26Pin, White)	W/H Main - W/H Eng	Passenger Cowl Side C/Holder	C/Holder
C219 (39Pin, Gray)	W/H Main - W/H Floor	Passenger Cowl Side C/Holder	C/Holder
C905 (8Pin, Black)	W/H Floor - W/H EPB	Under the RR Bumper (LH)	
G102	W/H Eng	Center the Eng BATT	
G201	W/H Main	Under the Driver Cowl Side PNL	
G301	W/H Floor	Under the Driver Seat	
S201 (20Pin)	W/H Main	Upper the I/P Relay Box (Inside Protector)	
S202 (20Pin)	W/H Main	Upper the I/P Relay Box (Inside Protector)	CAN
S204 (20Pin)	W/H Main	Backside A/V Head Unit (Inside LH Protector)	
S301 (20Pin)	W/H Floor	Under the Driver Seat	

(2) CONNECTOR IDENTIFICATION SYMBOL & PIN NUMBER POSITION



Modification basis	
Application basis	
Affected VIN	